



US00D421202S

# United States Patent [19]

[11] **Patent Number: Des. 421,202**

**Demers**

[45] **Date of Patent: \*\* Feb. 29, 2000**

[54] **SERVING BOWL WITH OFFSET RIM AND LID**

D. 403,922	1/1999	Terracciano et al. ....	D7/542
D. 409,447	5/1999	Henry .....	D7/360
D. 412,266	7/1999	Kerr .....	D7/538 X
5,913,445	6/1999	Fujii et al. ....	220/574

[75] Inventor: **Brian J. Demers**, Orlando, Fla.

[73] Assignee: **Dart Industries Inc.**, Orlando, Fla.

[\*\*] Term: **14 Years**

*Primary Examiner*—M. N. Pandozzi  
*Attorney, Agent, or Firm*—Taylor J. Ross

[21] Appl. No.: **29/107,386**

[57] **CLAIM**

[22] Filed: **Jul. 2, 1999**

The ornamental design for a serving bowl with offset rim and lid, as shown and described.

[51] **LOC (6) Cl. .... 07-01**

**DESCRIPTION**

[52] **U.S. Cl. .... D7/538; D7/543**

[58] **Field of Search** ..... D7/501, 505, 538, D7/540, 541, 542, 543, 545, 546, 549, 553.6, 553.7, 555, 547, 557, 562, 564, 365, 572, 576, 586, 608, 357, 360, 346, 611, 354, 614; 220/575, 574; 206/562, 538, 561

FIG. 1 is a top, side and front perspective view of a first embodiment of a serving bowl with offset rim and lid showing the new design;

FIG. 2 is a front elevation view thereof;

FIG. 3 is a rear elevation view thereof;

FIG. 4 is a right side elevation view thereof;

FIG. 5 is a left side elevation view thereof;

FIG. 6 is a top plan view thereof;

FIG. 7 is a bottom plan view thereof;

FIG. 8 is a top, side and front perspective view of a second embodiment of a serving bowl with offset rim and lid showing the new design;

FIG. 9 is a front elevation view thereof;

FIG. 10 is a rear elevation view thereof;

FIG. 11 is a right side elevation view thereof;

FIG. 12 is a left side elevation view thereof;

FIG. 13 is a top plan view thereof; and,

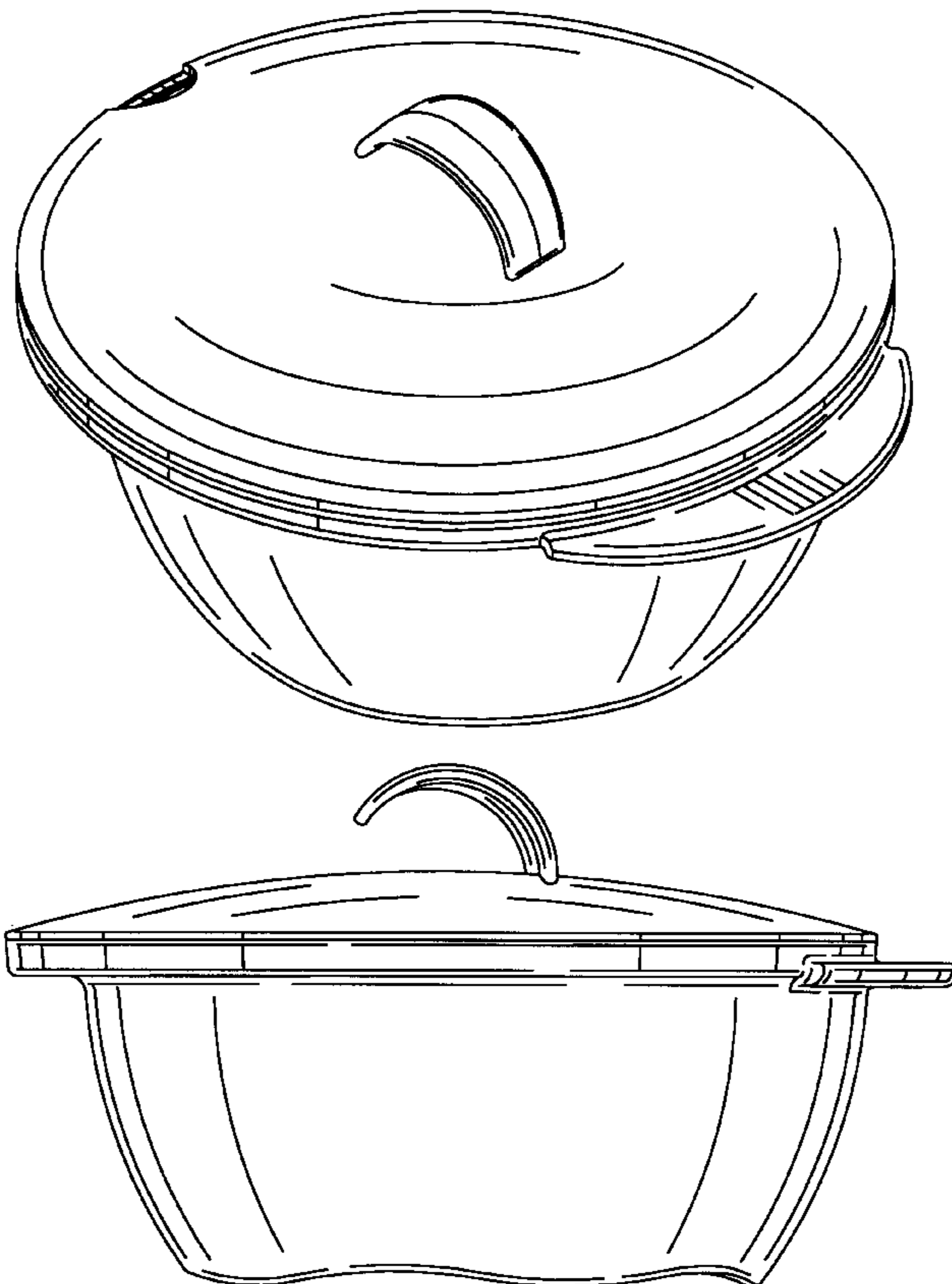
FIG. 14 is a bottom plan view thereof.

[56] **References Cited**

**U.S. PATENT DOCUMENTS**

D. 47,666	8/1915	Haviland .....	D7/542
D. 103,169	2/1937	Swainson .....	D7/542
D. 106,443	10/1937	Jungwirth .....	D7/542
D. 167,292	7/1952	Wagner .....	D7/542
D. 172,075	5/1954	Barnhart .....	D7/542
D. 185,064	5/1959	Clark, Jr. ....	D7/542
D. 232,412	8/1974	Schmitt .....	D7/542
D. 332,892	2/1993	Sun .....	D7/540 X
D. 338,807	8/1993	Conti .....	D7/545
D. 385,461	10/1997	Cousins .....	D7/538

**1 Claim, 8 Drawing Sheets**



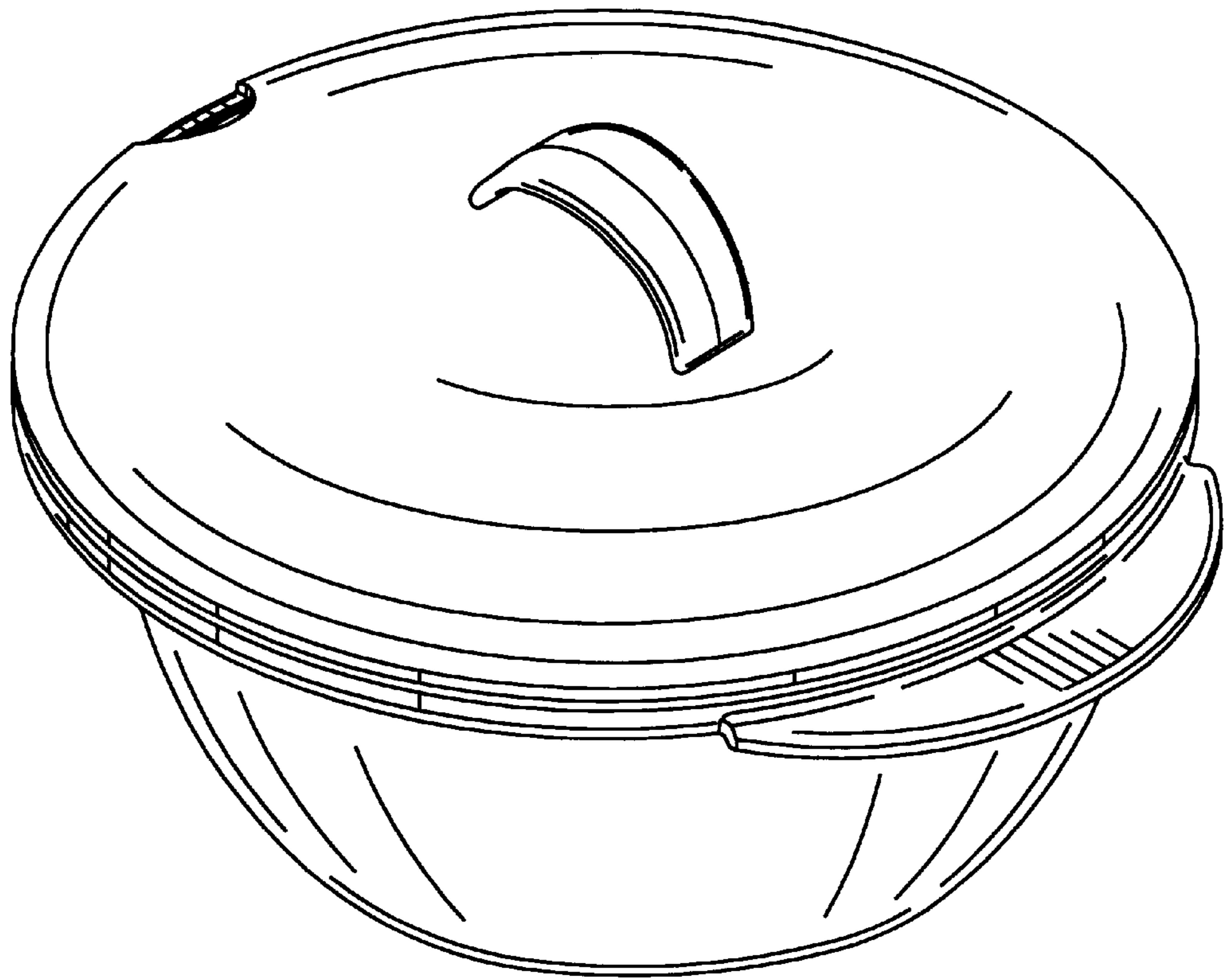


FIG. 1

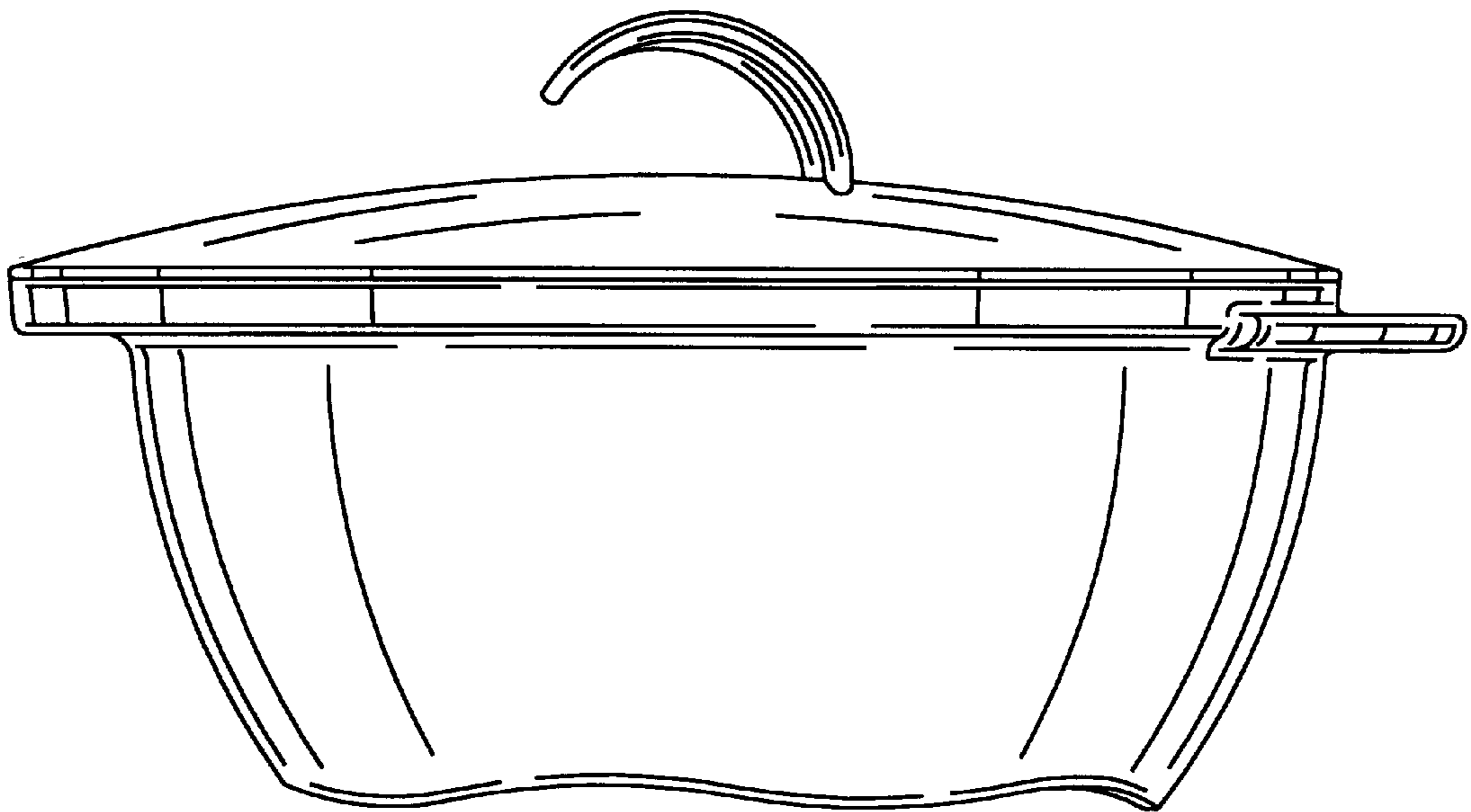


FIG. 2

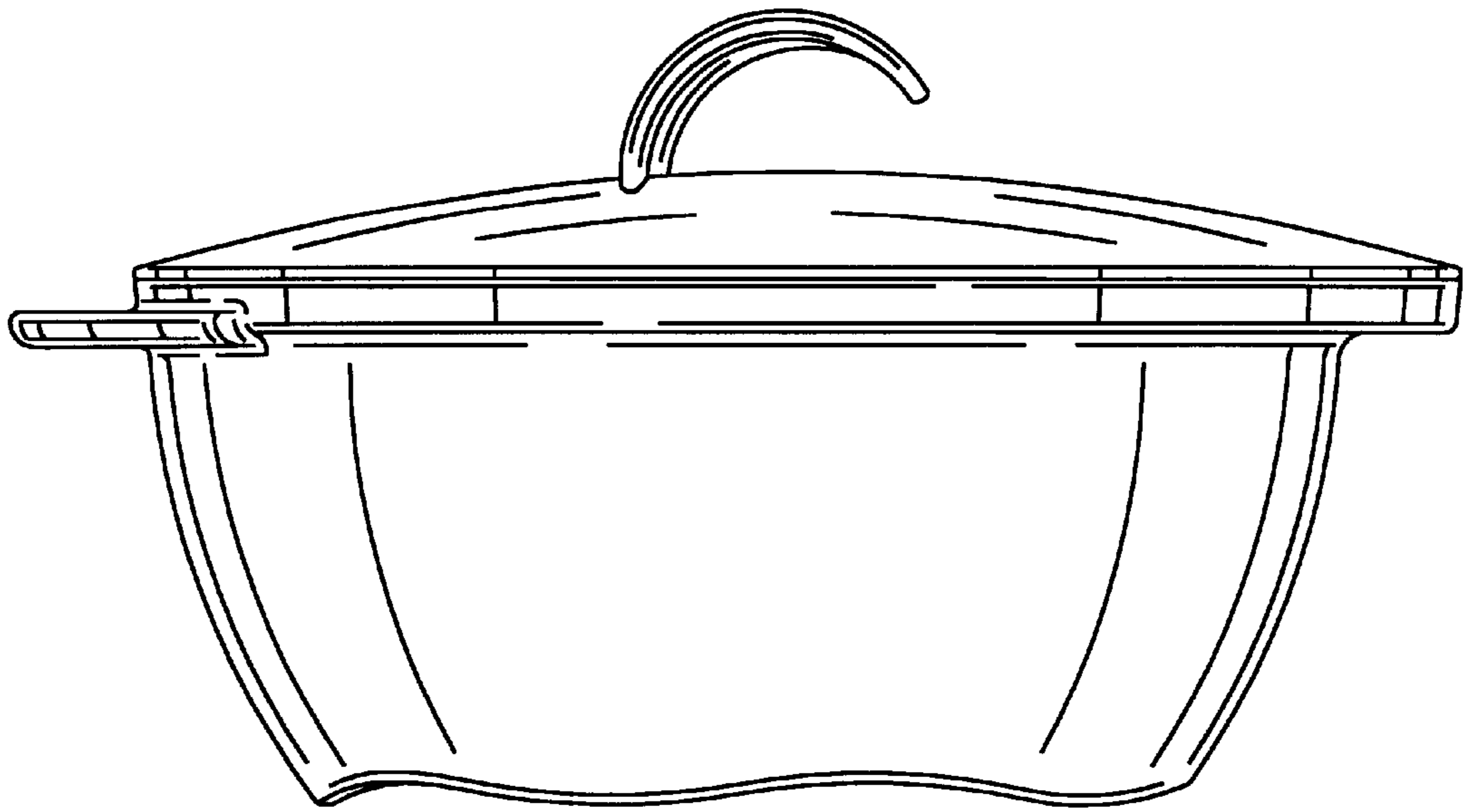


FIG. 3

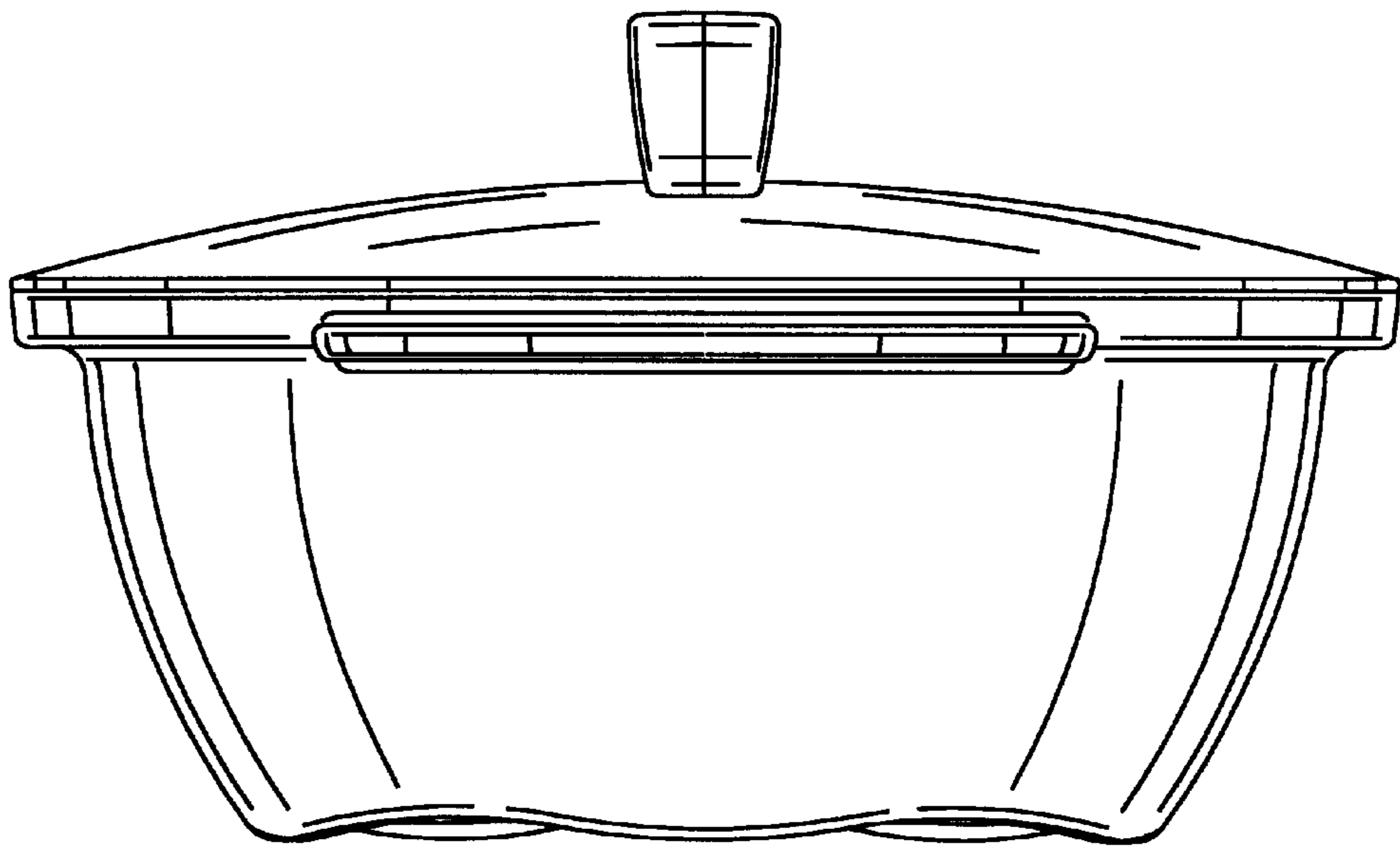


FIG. 4

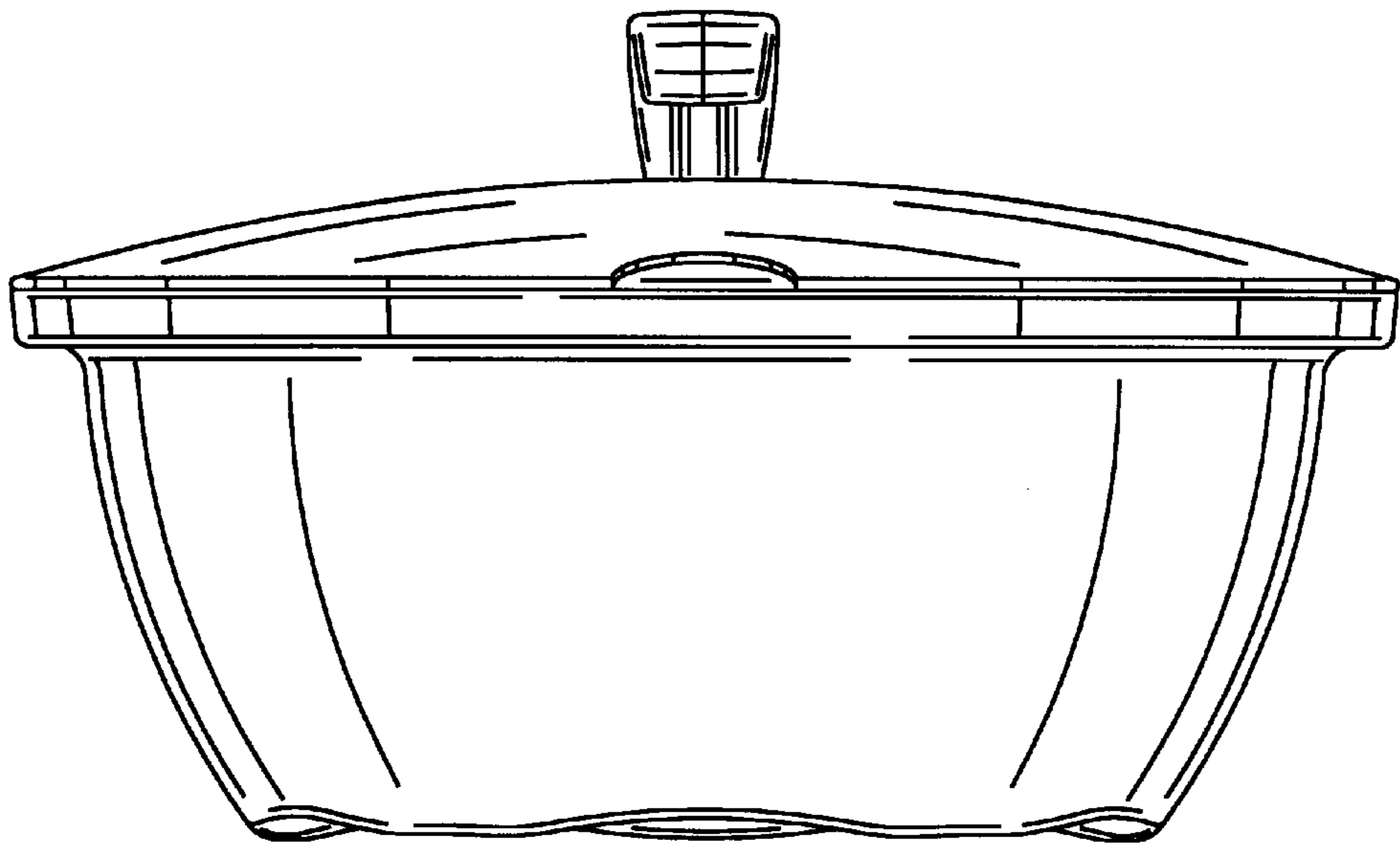


FIG. 5

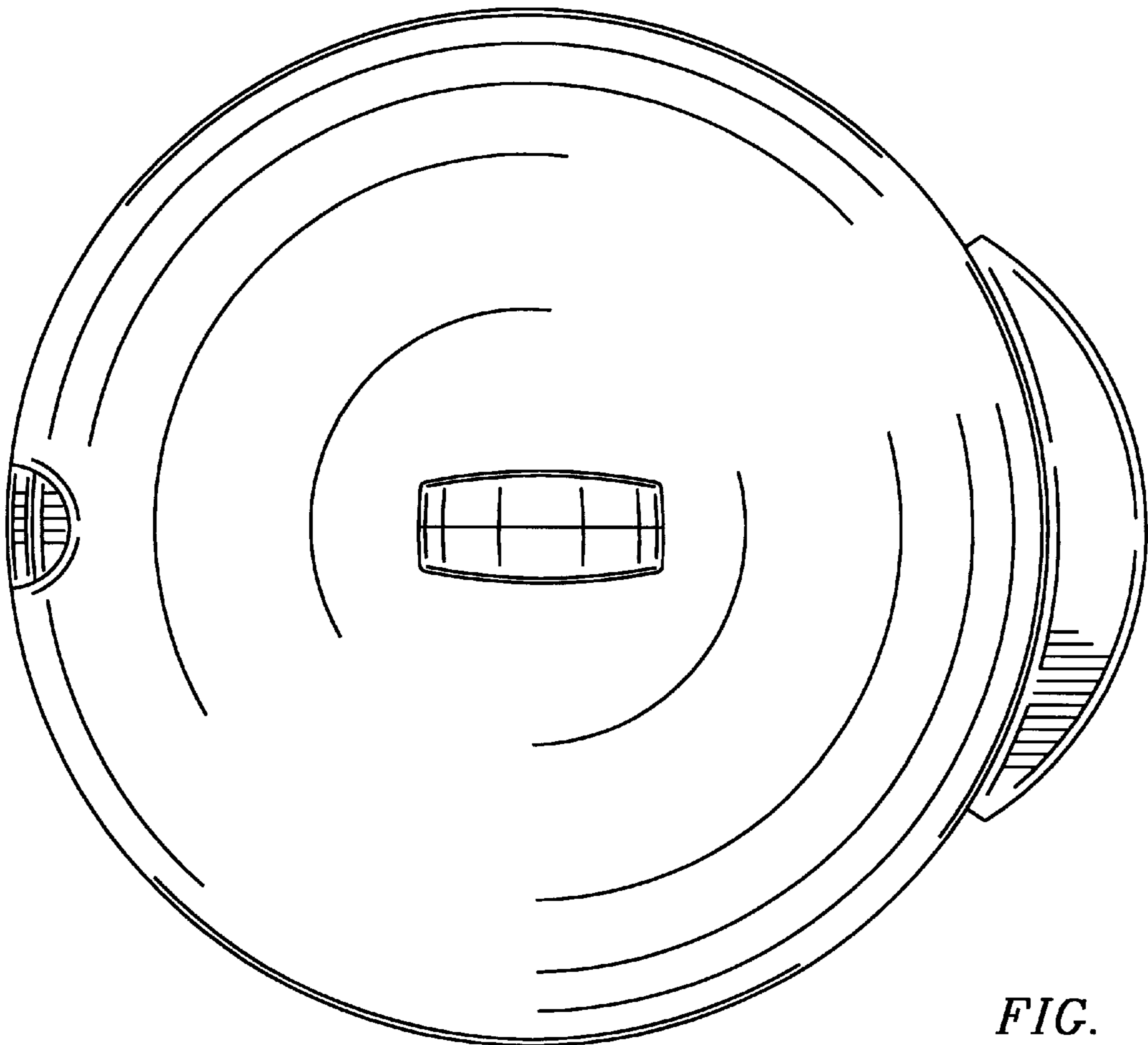


FIG. 6

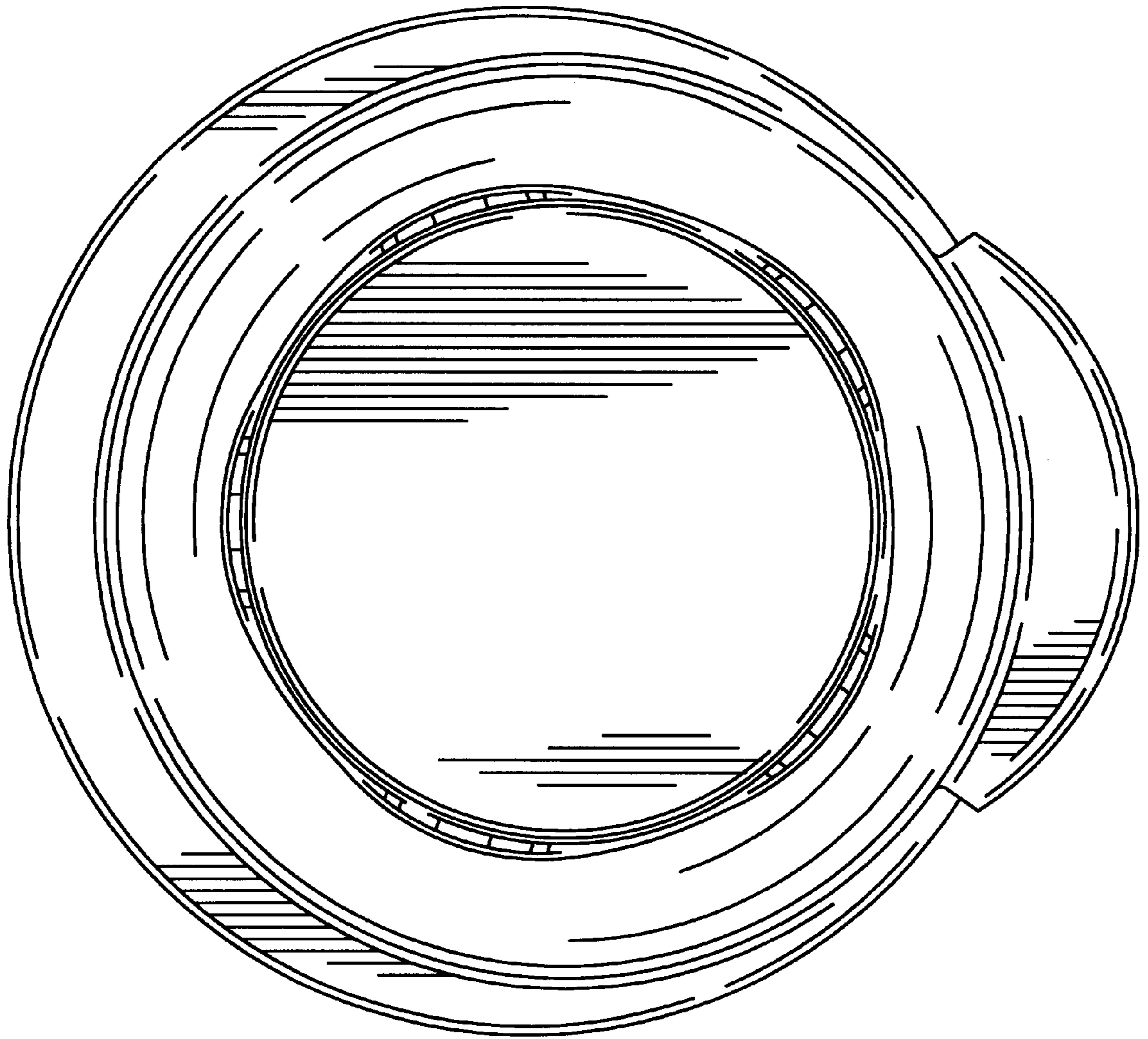


FIG. 7

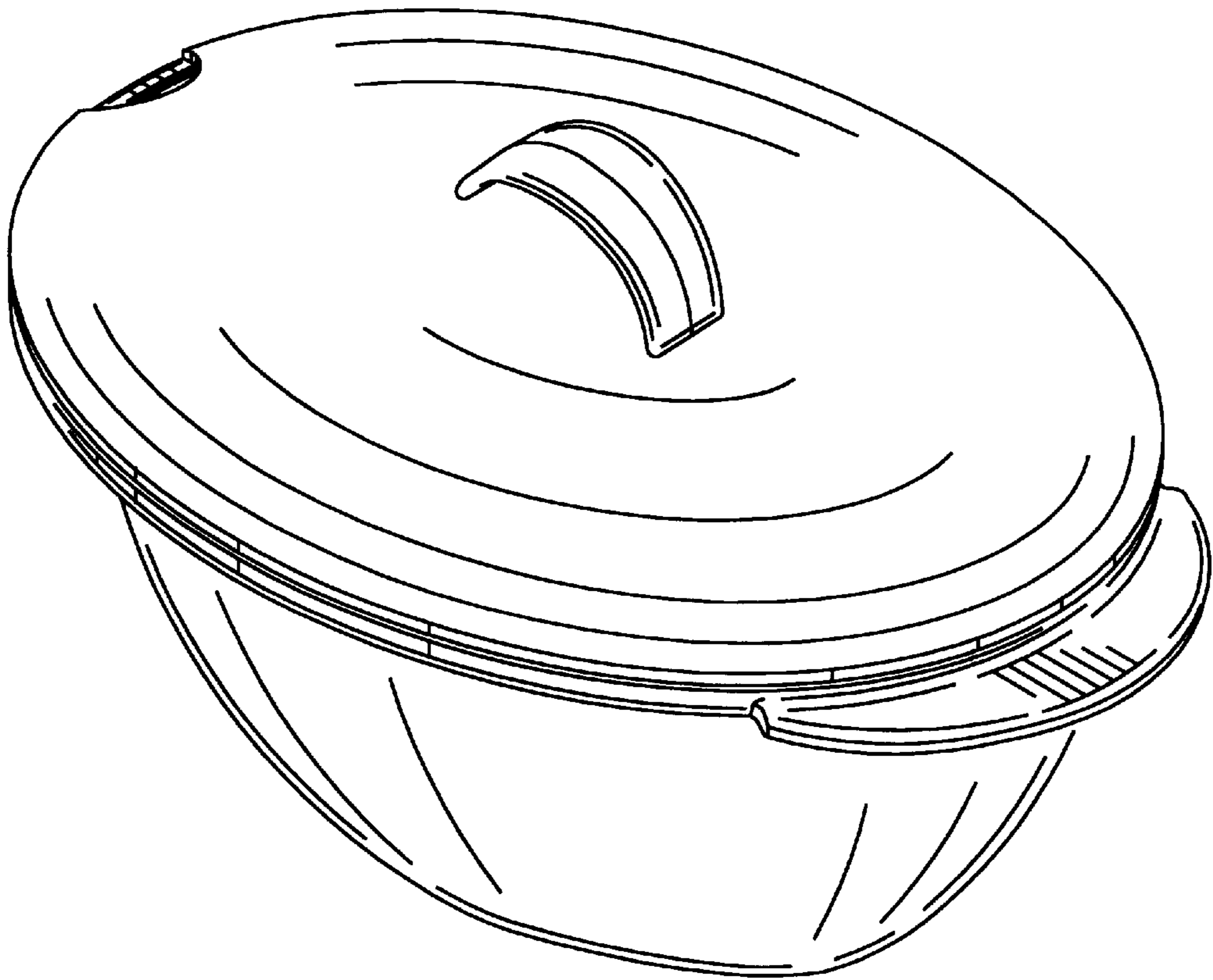


FIG. 8

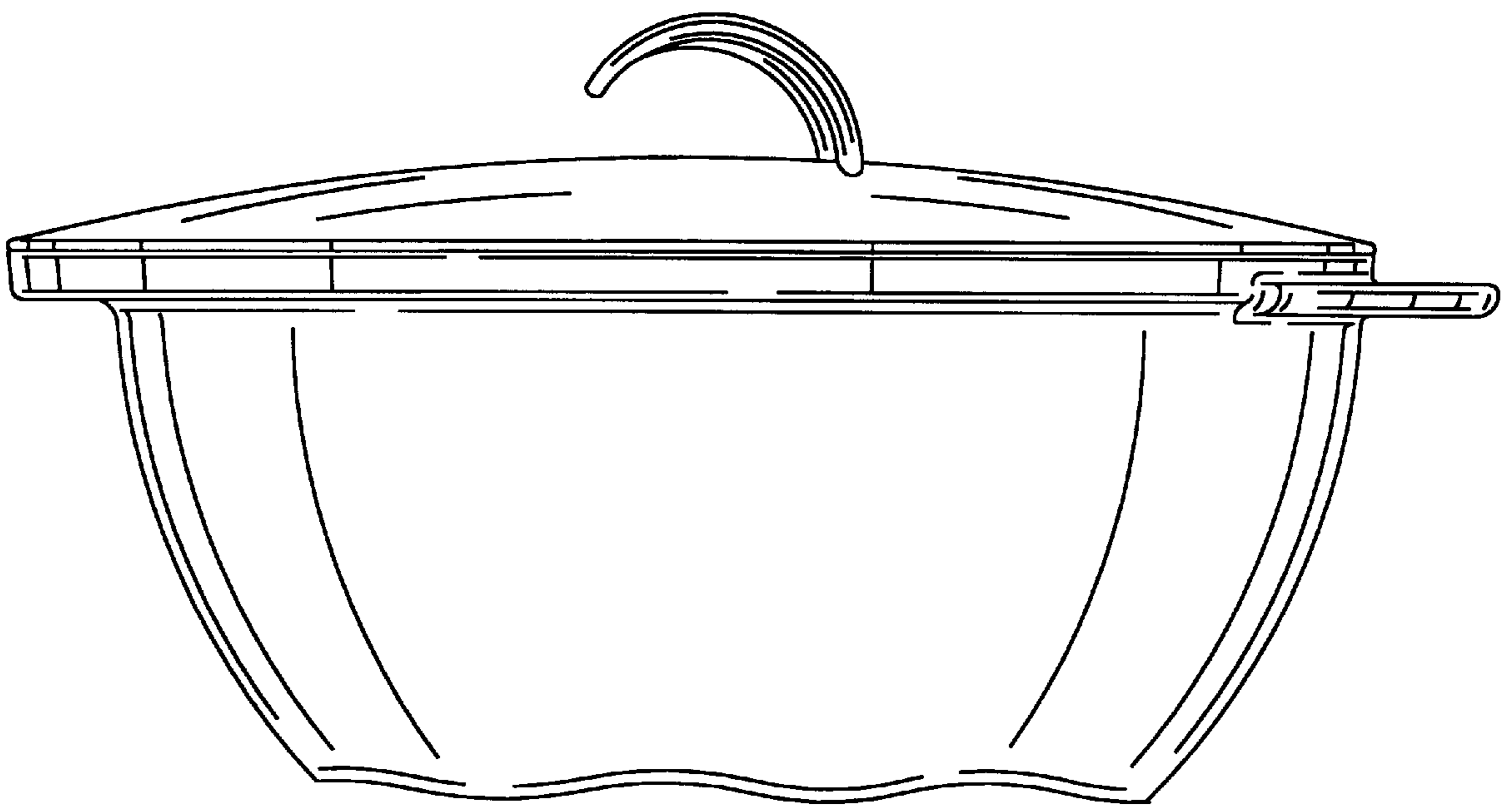


FIG. 9

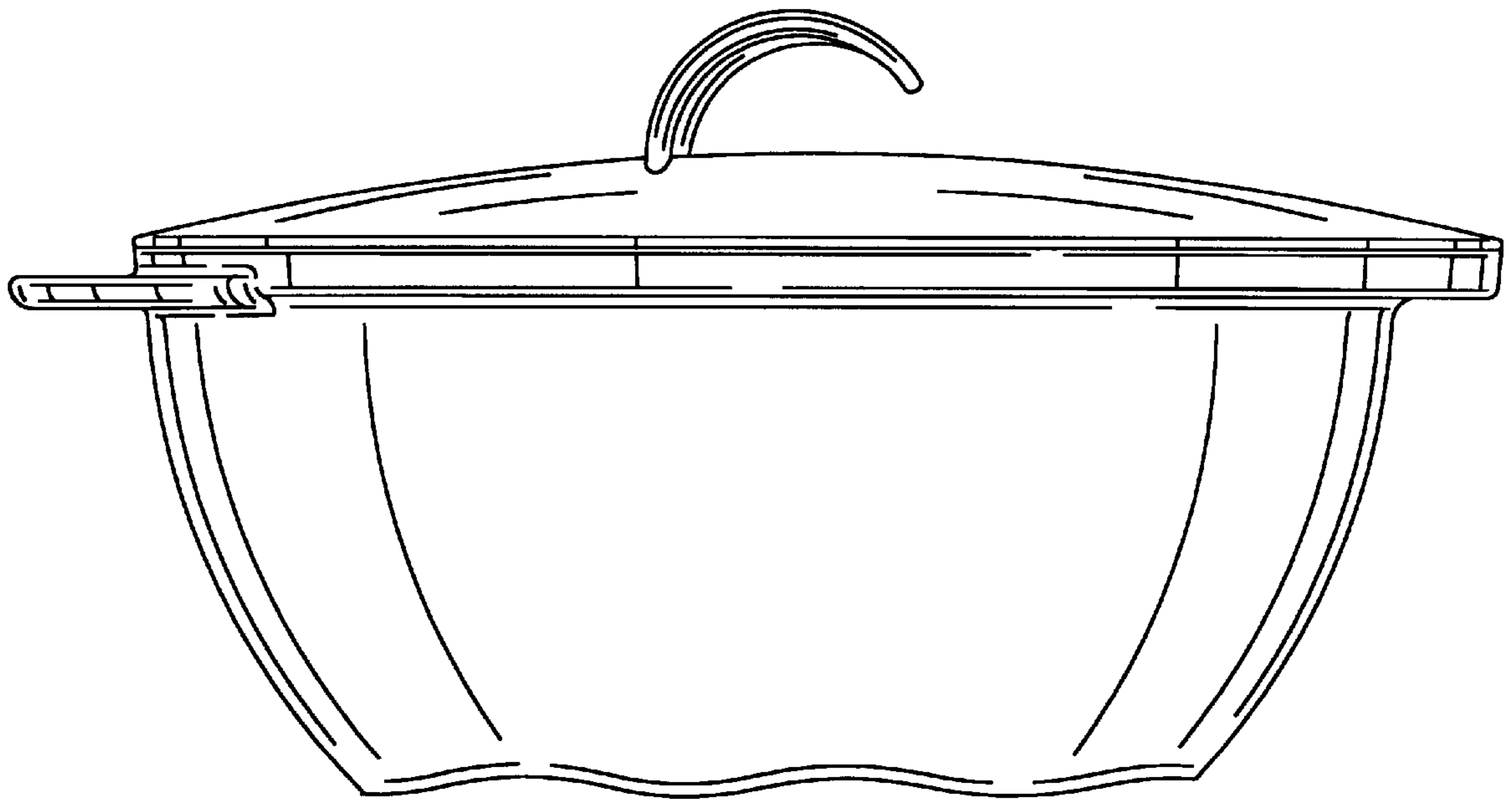


FIG. 10

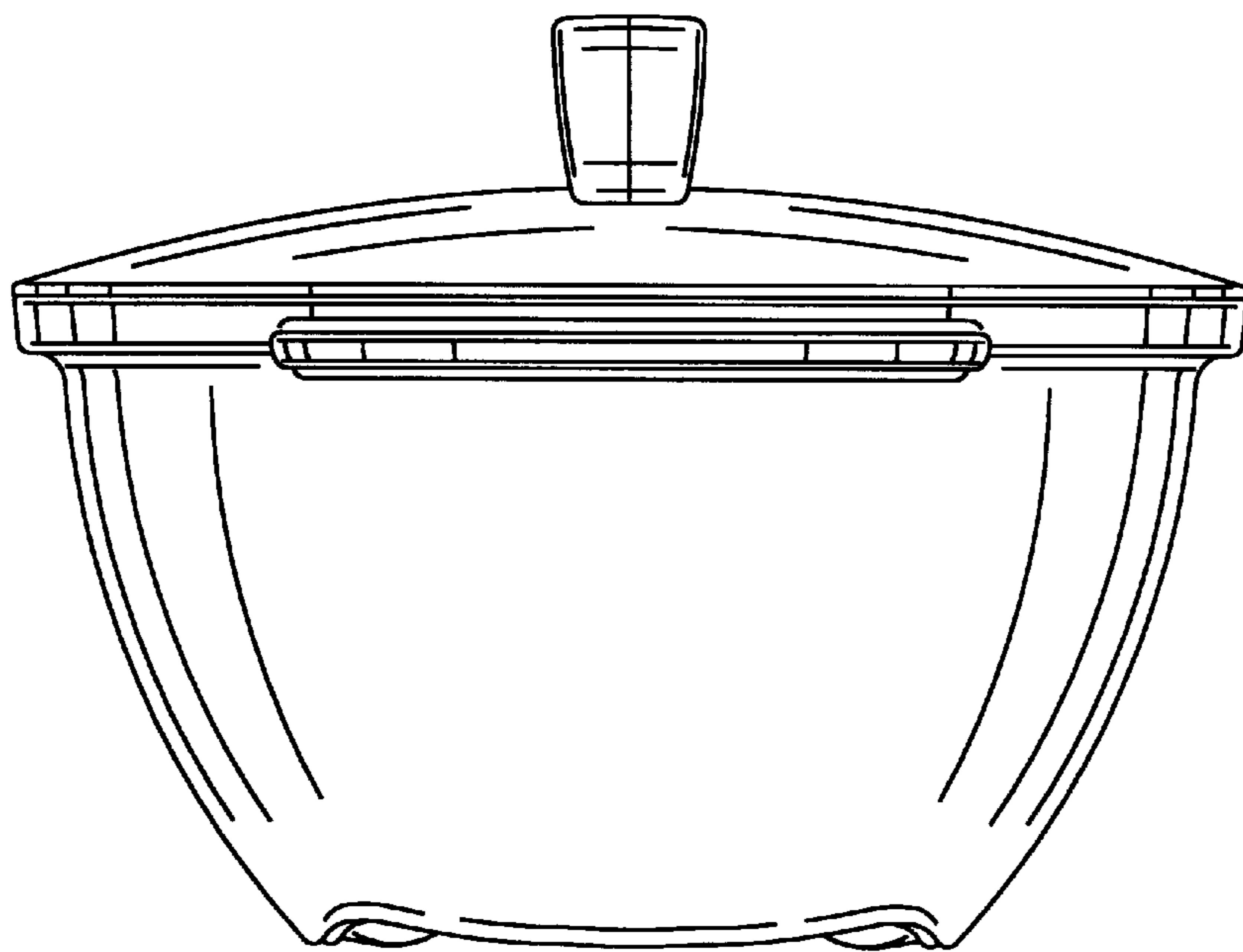


FIG. 11

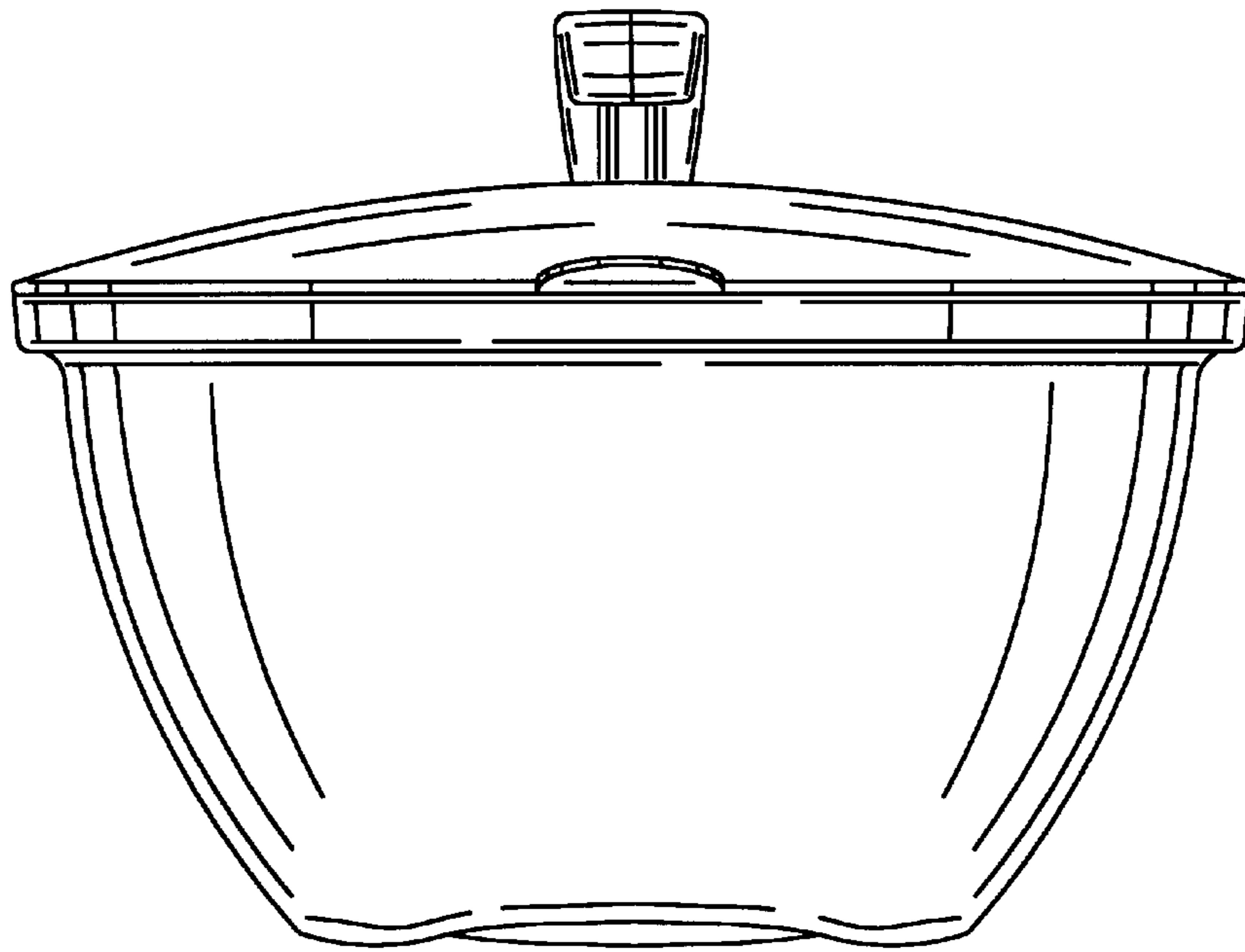


FIG. 12

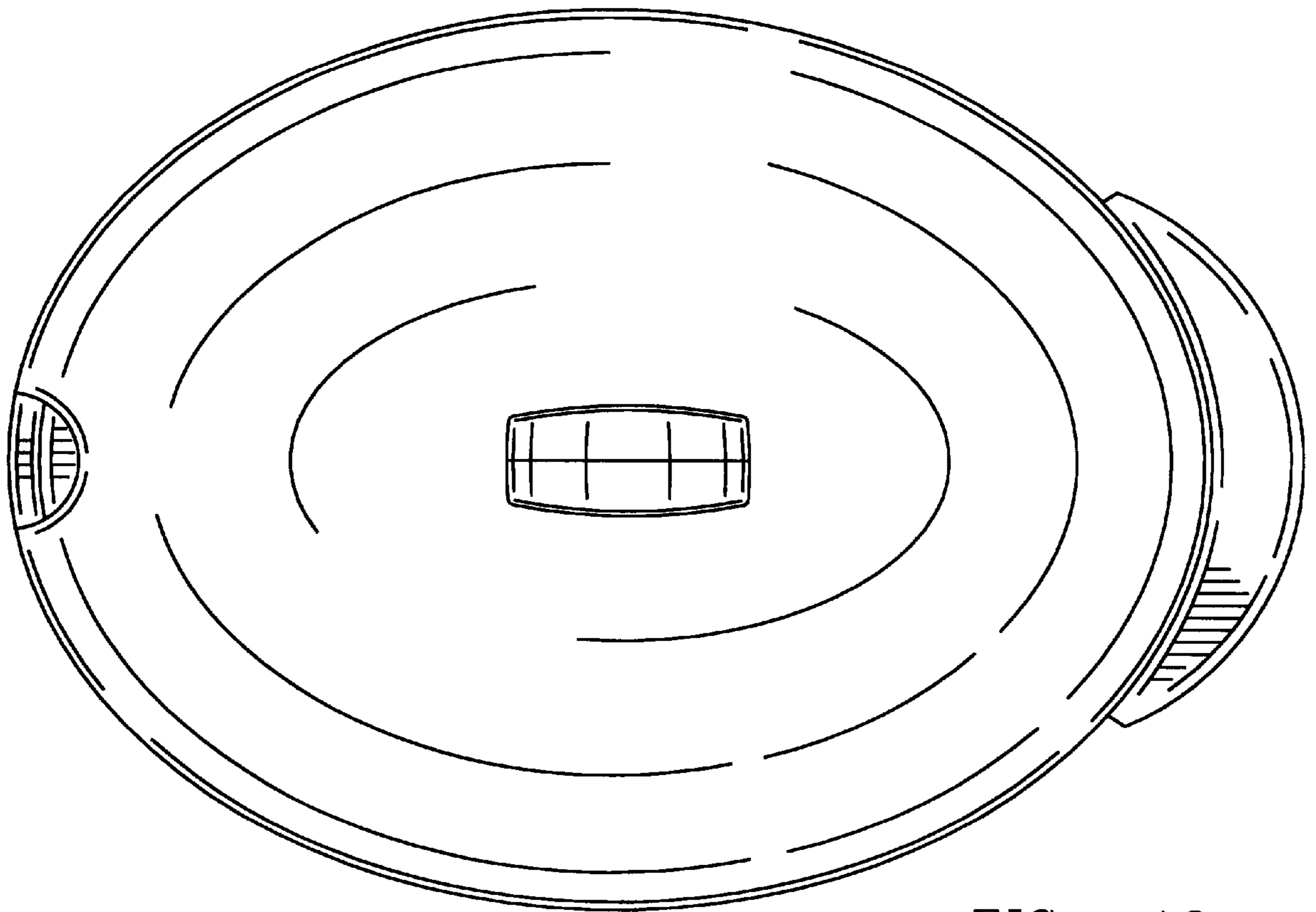


FIG. 13



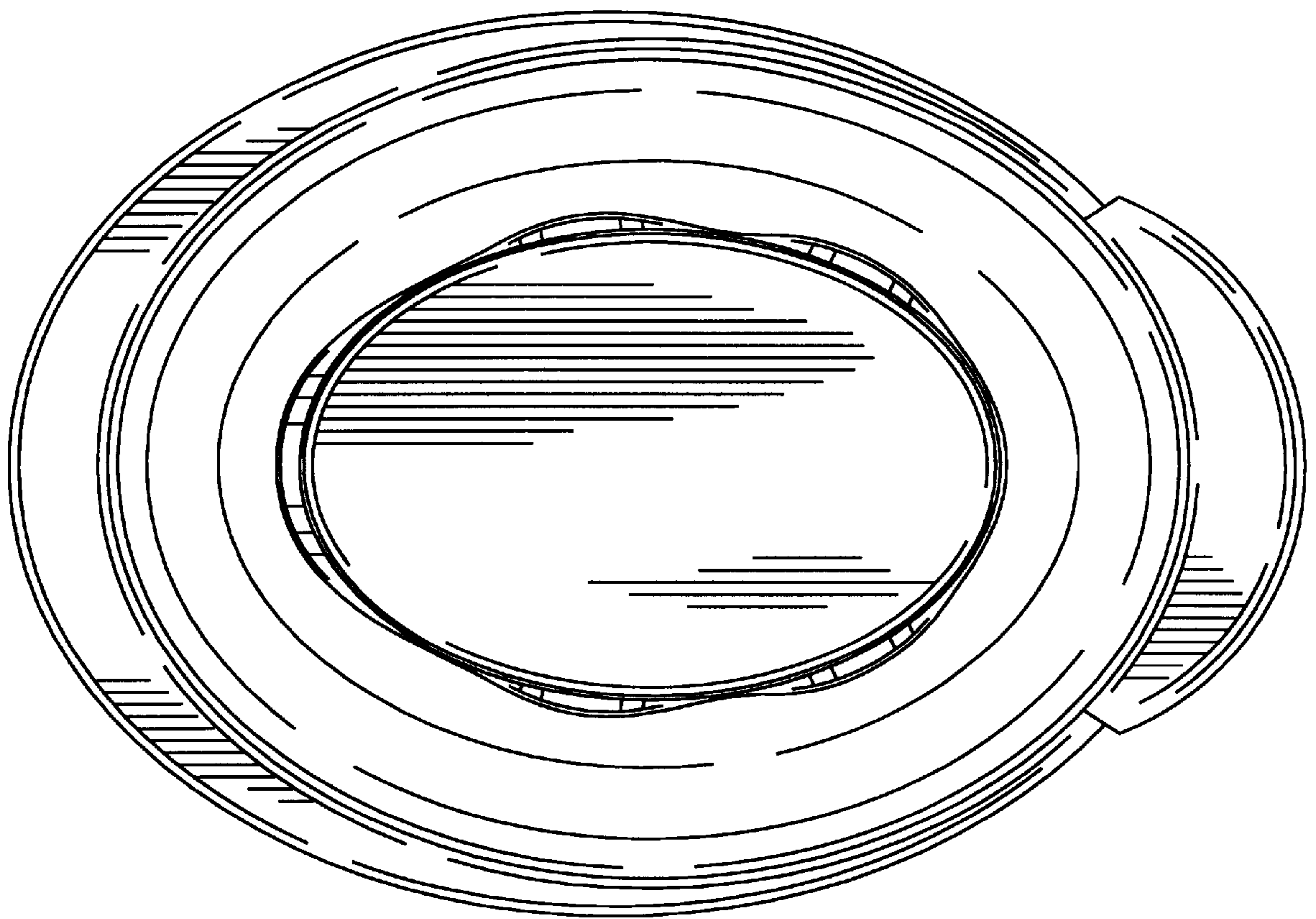


FIG. 14