



US00D421201S

United States Patent [19]

Crescenzi et al.

[11] Patent Number: **Des. 421,201**

[45] Date of Patent: **** Feb. 29, 2000**

[54] **ROTARY CUTTER FOR FOOD PROCESSOR**

D. 395,573	6/1998	Leverrier	D7/381
4,143,824	3/1979	Shiotani	241/282.1
4,723,719	2/1988	Williams	241/282.2

[75] Inventors: **Donald Crescenzi**, Killingworth; **Thomas Rockwell**, Terryville; **Guy Casalino**, Weatogue; **Frank Chiappetta**, Woodbury; **Paul Turnrose**, Forestville, all of Conn.

Primary Examiner—Caron D. Veynar
Attorney, Agent, or Firm—McCormick, Paulding & Huber LLP

[73] Assignee: **Conair Corporation**, Stamford, Conn.

[57] **CLAIM**

[**] Term: **14 Years**

The ornamental design for the rotary cutter for food processor, as shown and described.

[21] Appl. No.: **29/081,490**

DESCRIPTION

[22] Filed: **Jan. 5, 1998**

FIG. 1 is a perspective view of the rotary cutter for food processor.

[51] **LOC (6) Cl.** **31-00**

FIG. 2 is a top view of the rotary cutter for food processor.

[52] **U.S. Cl.** **D7/412**

FIG. 3 is a front view of the rotary cutter for food processor with the rear view being a mirror image thereof.

[58] **Field of Search** D7/376, 381, 384; 241/199.12, 282.1, 282.2; 366/52, 67, 98, 244, 279, 309, 314, 325.92, 330.1, 330.2, 342, 343

FIG. 4 is a right hand side view of the rotary cutter for food processor with the left hand side view being a mirror image thereof; and,

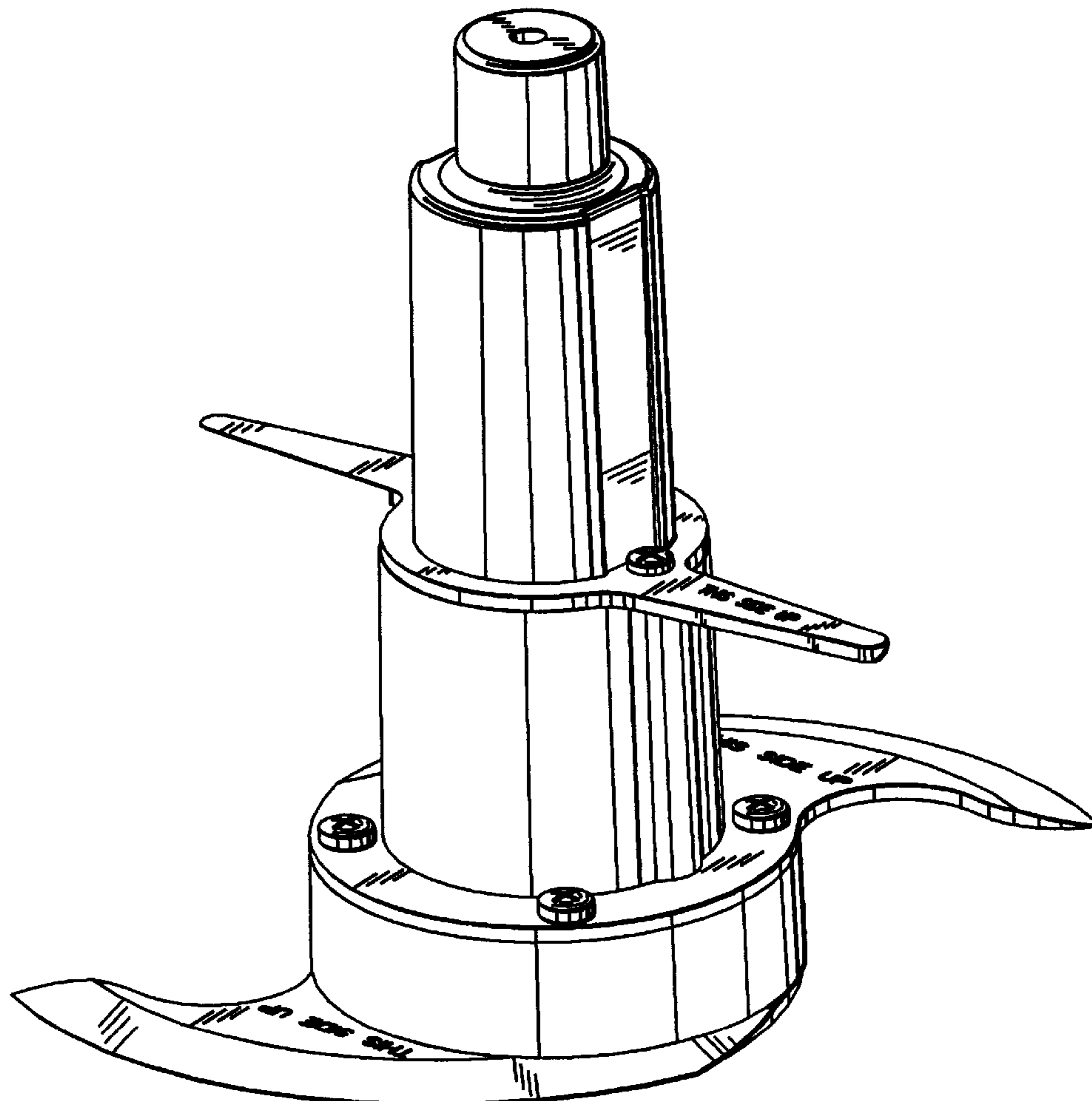
[56] **References Cited**

FIG. 5 is a bottom view of the rotary cutter for food processor.

U.S. PATENT DOCUMENTS

D. 367,800 3/1996 Littmann D7/384

1 Claim, 3 Drawing Sheets



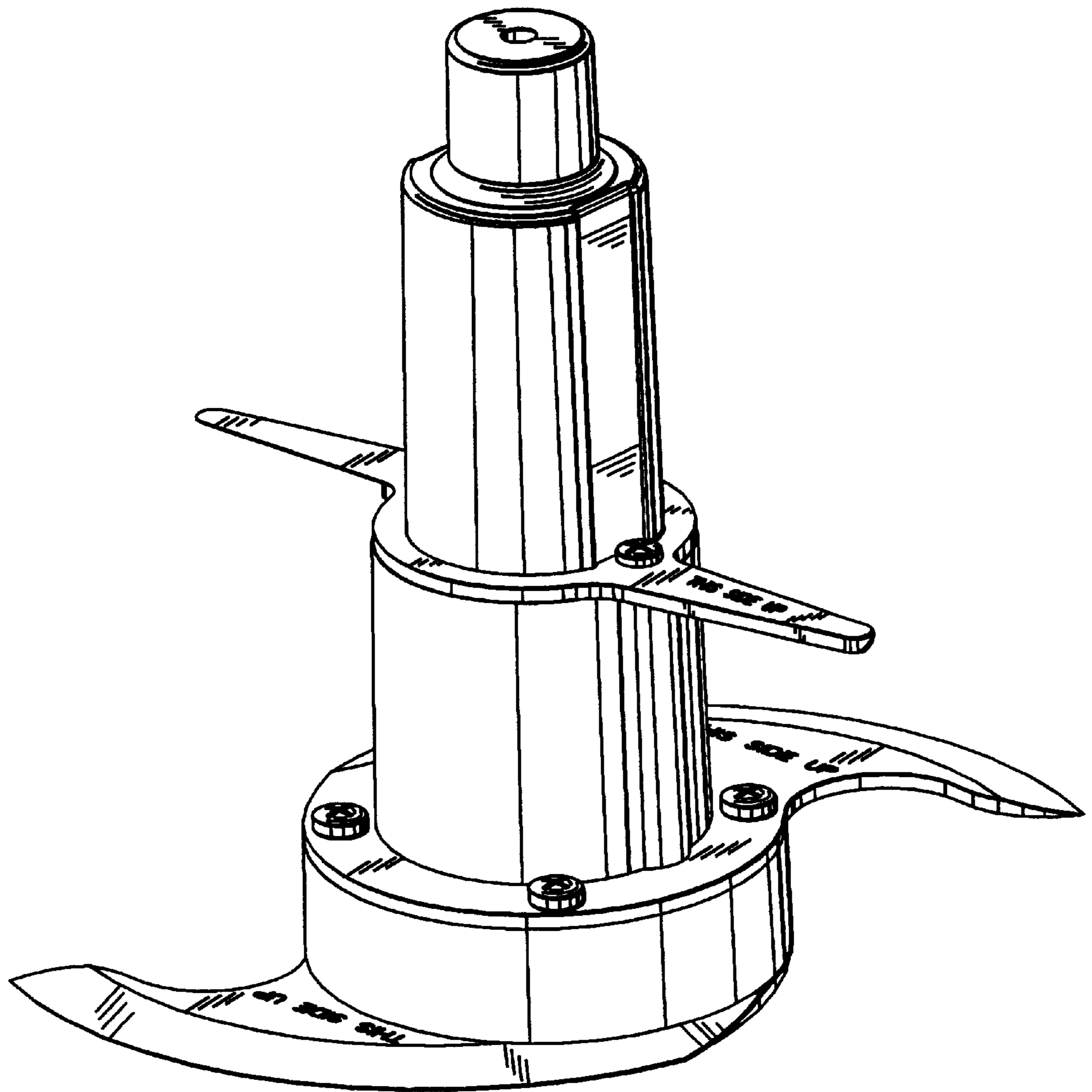


FIG. 1

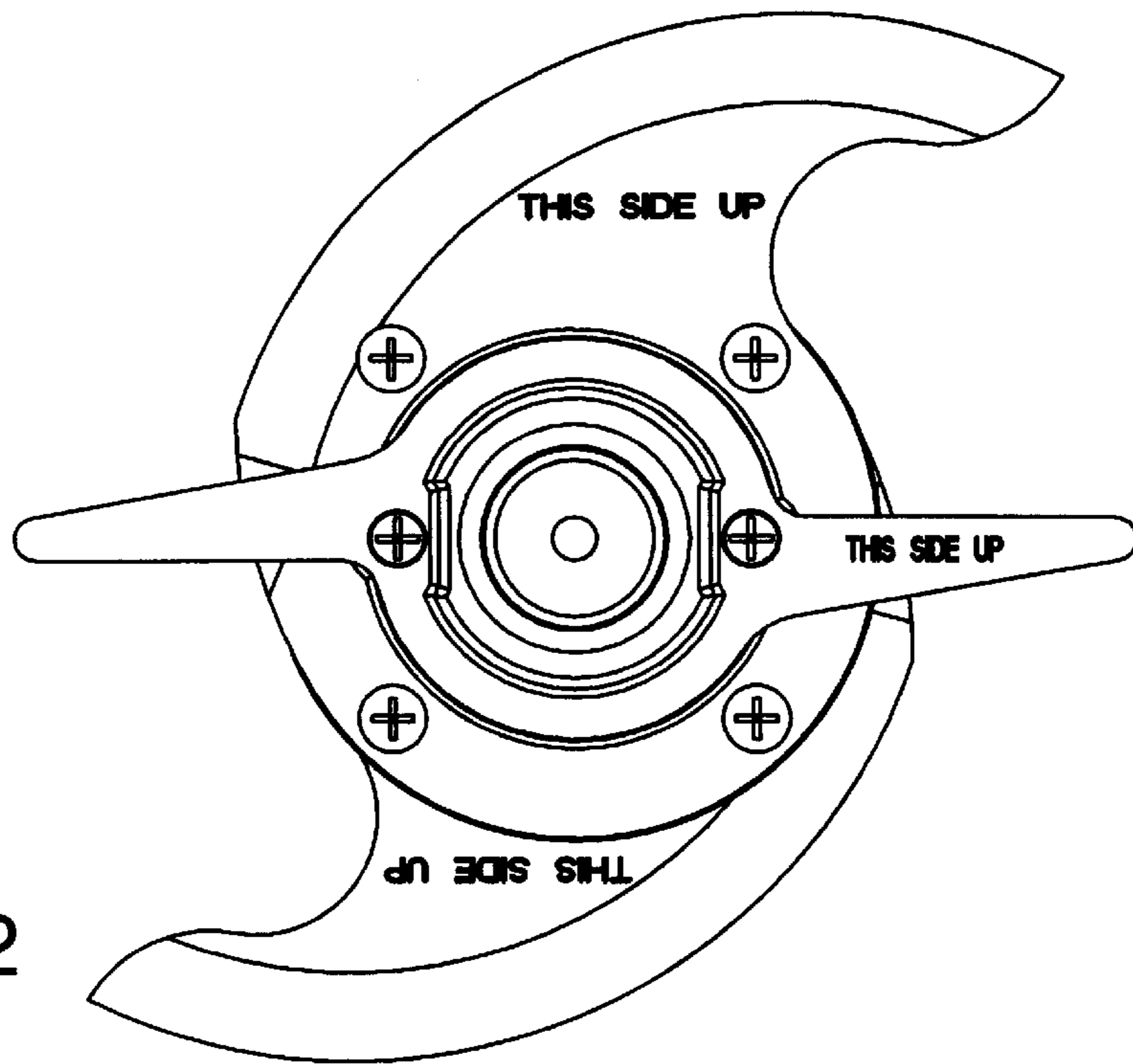


FIG. 2

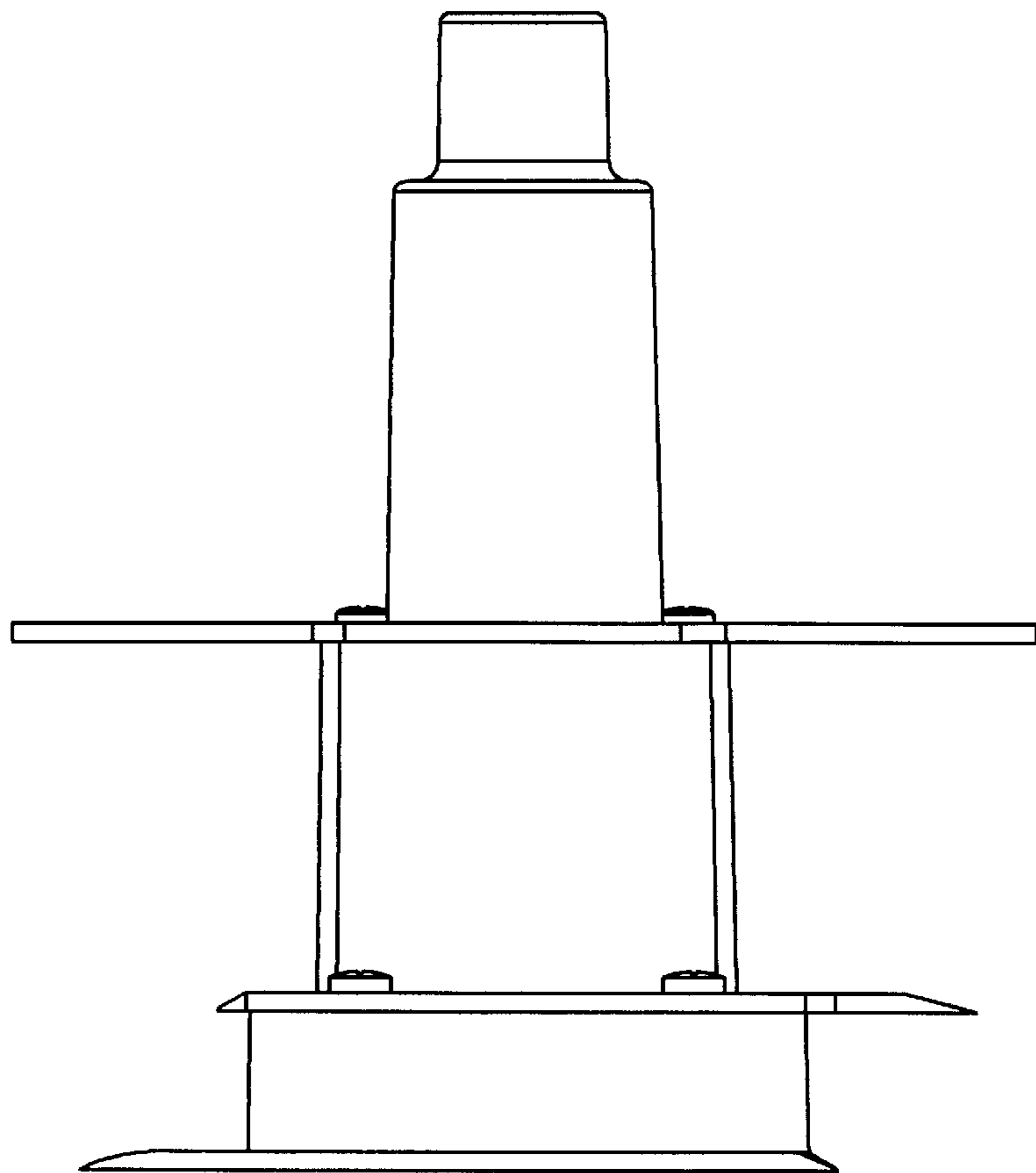


FIG. 3

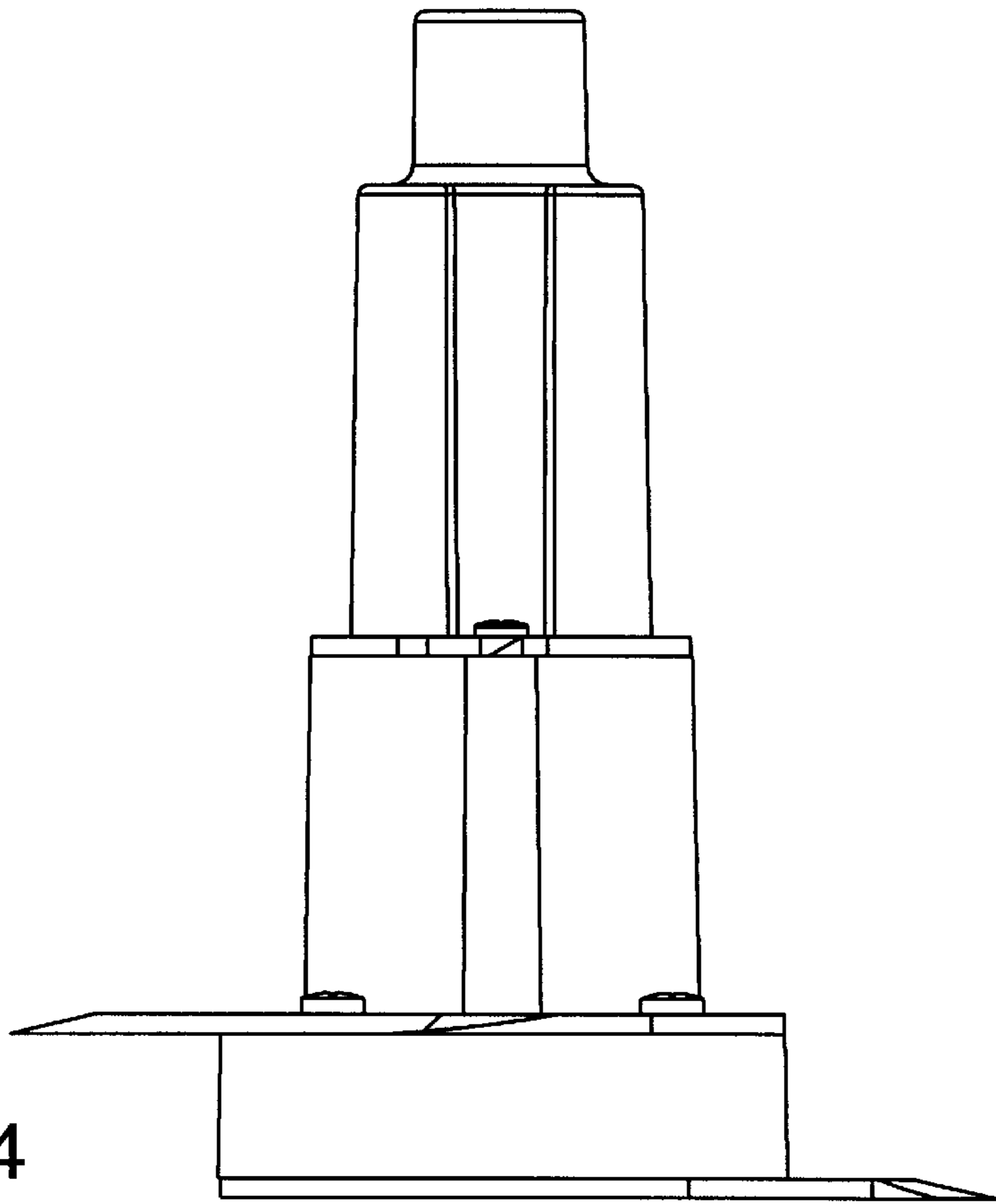


FIG. 4

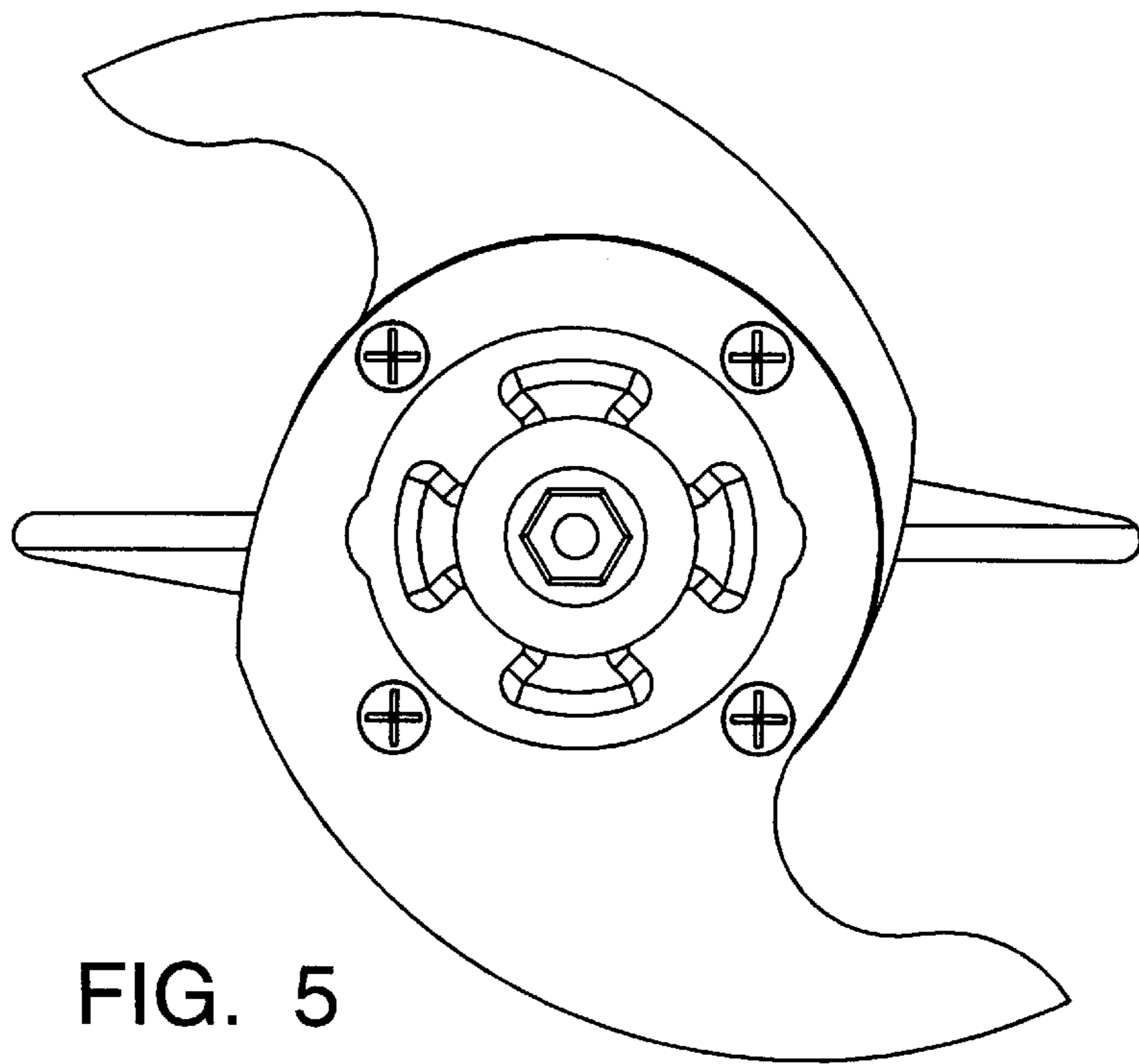


FIG. 5