



US00D421200S

United States Patent [19]
Taylor, Jr.

[11] **Patent Number: Des. 421,200**

[45] **Date of Patent: ** Feb. 29, 2000**

[54] **BARBEQUE GRILL WITH FOOTBALL APPEARANCE**

[76] Inventor: **Lonzo Franklin Taylor, Jr.**, 1285 Morgan St., Henderson, Tenn. 38340

[**] Term: **14 Years**

[21] Appl. No.: **29/089,372**

[22] Filed: **Jun. 15, 1998**

[51] **LOC (6) Cl.** **07-02**

[52] **U.S. Cl.** **D7/332**

[58] **Field of Search** D7/332-337, 402, D7/403, 404, 406, 409; 126/2, 4, 9 R, 25 R, 25 A, 25 AA, 29, 38, 39 R, 40, 41 R, 58-59; 99/481-482, 419, 421 R; D21/713; 273/317.3, 317.5, 317.6

[56] **References Cited**

U.S. PATENT DOCUMENTS

D. 314,882 2/1991 Bethel, Jr. D7/334

D. 324,622 3/1992 Baynes et al. D7/334
D. 332,909 2/1993 Parent et al. D7/334
D. 373,282 9/1996 Cordero D7/334
D. 385,146 10/1997 Fielding et al. D7/332
D. 396,599 8/1998 Smith, Jr. D7/332

Primary Examiner—Ruth McInroy
Attorney, Agent, or Firm—John J. Mulrooney

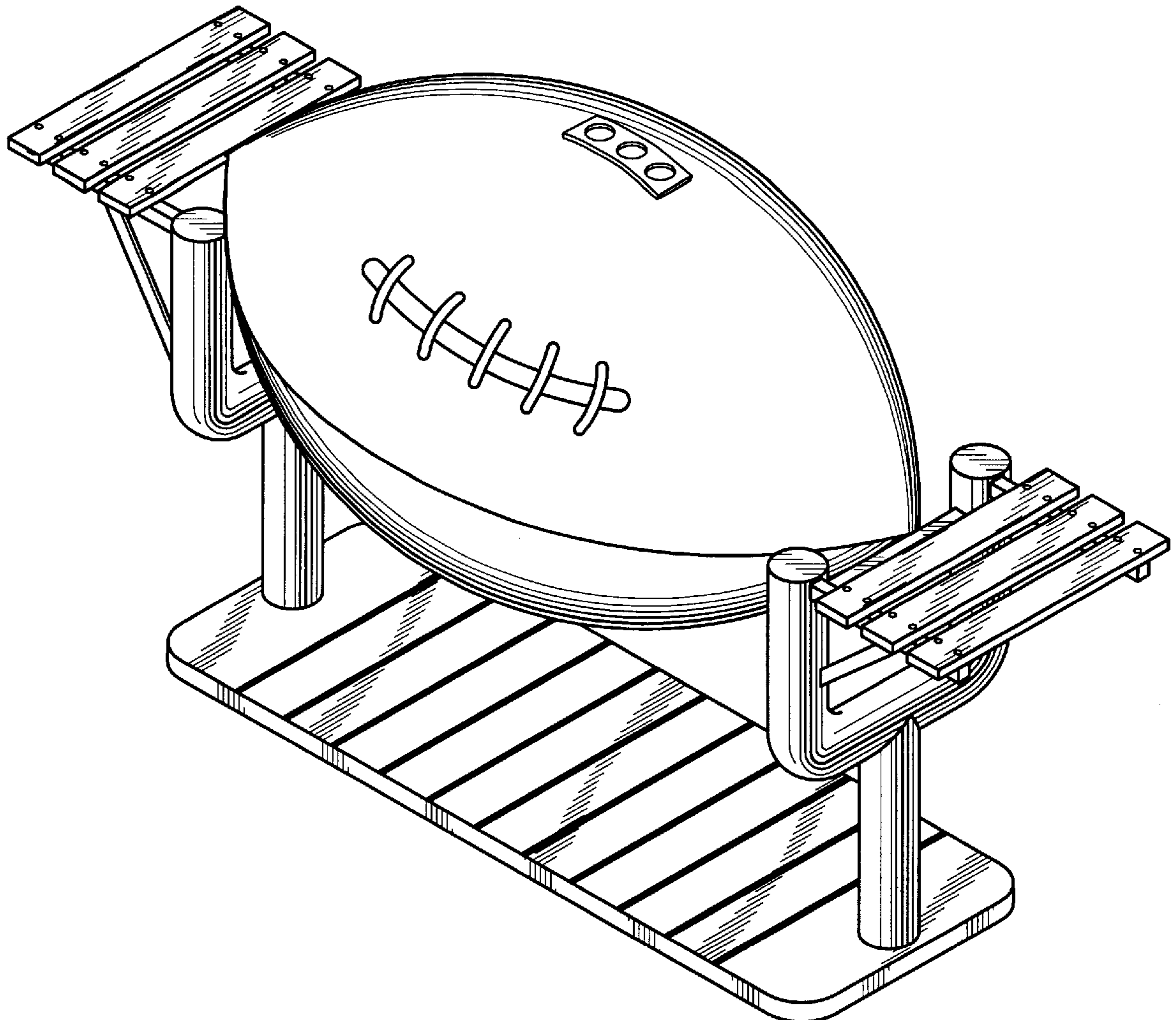
[57] **CLAIM**

The ornamental design for a barbeque grill with football appearance, as shown.

DESCRIPTION

FIG. 1 is a perspective view of a barbeque grill with football appearance showing my new design; FIG. 2 is a front elevation view thereof; FIG. 3 is a right side elevation view thereof; FIG. 4 is a rear elevation view thereof; FIG. 5 is a left side elevation view thereof; and, FIG. 6 is a top plan view thereof.

1 Claim, 3 Drawing Sheets



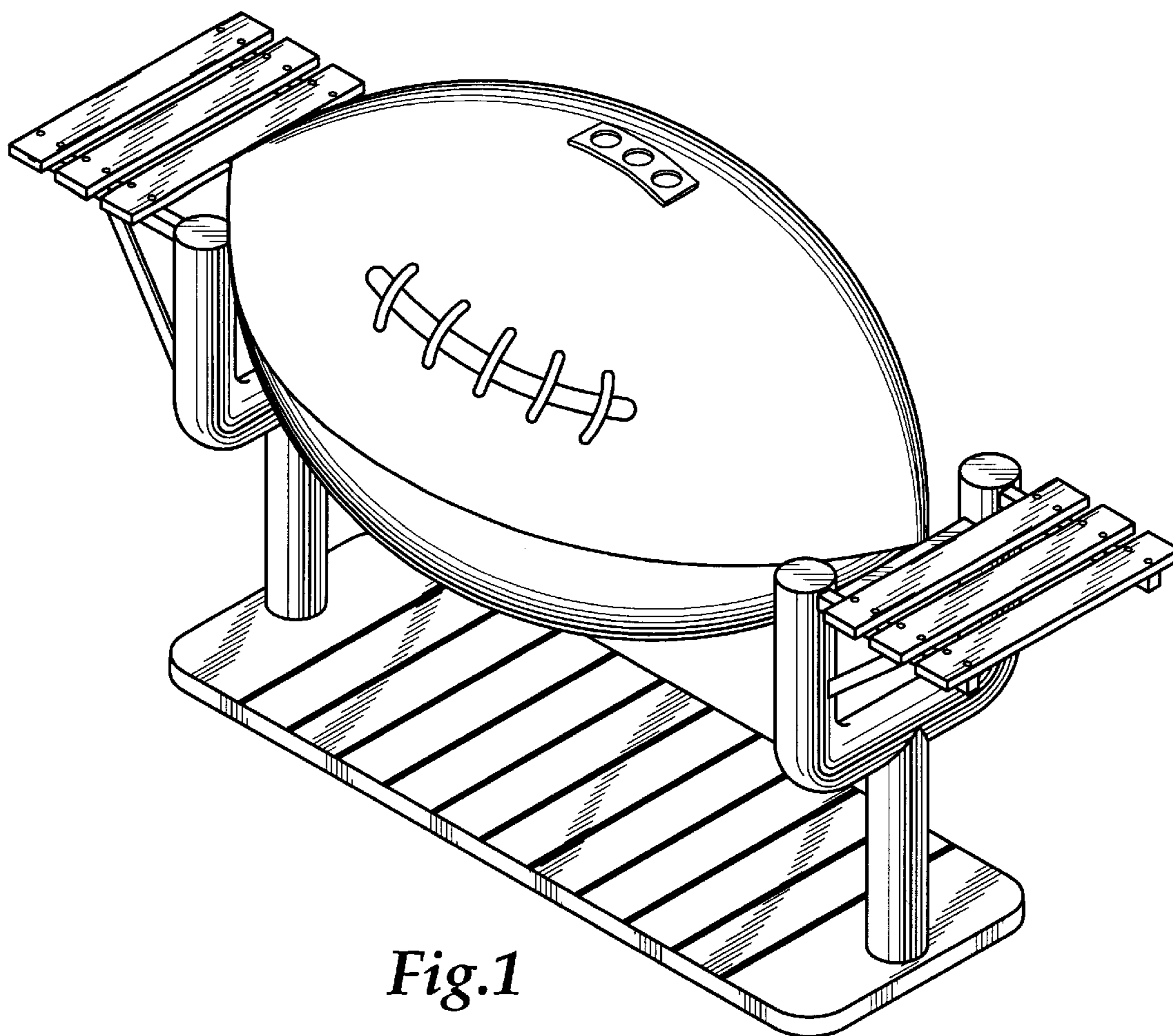


Fig.1

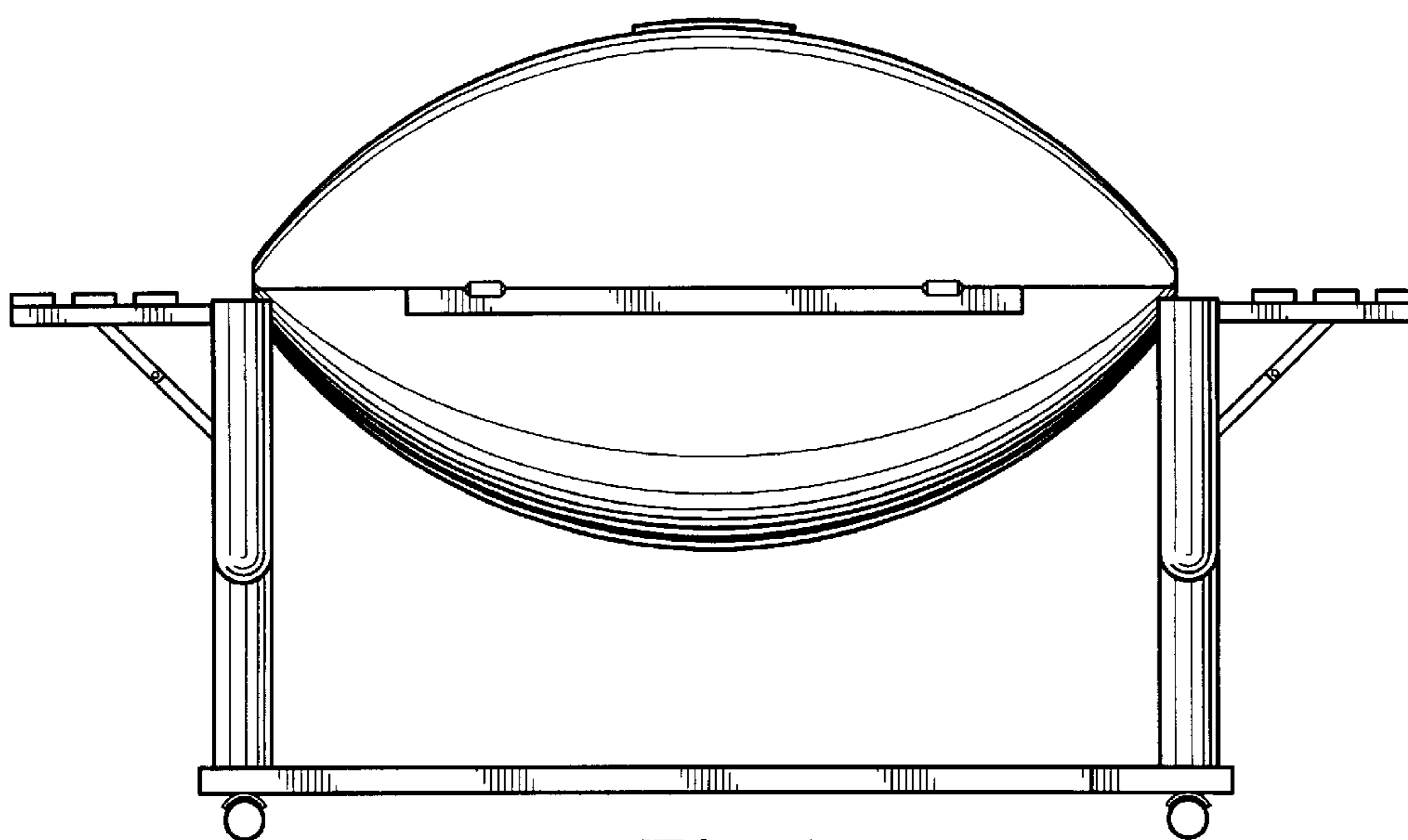


Fig.4

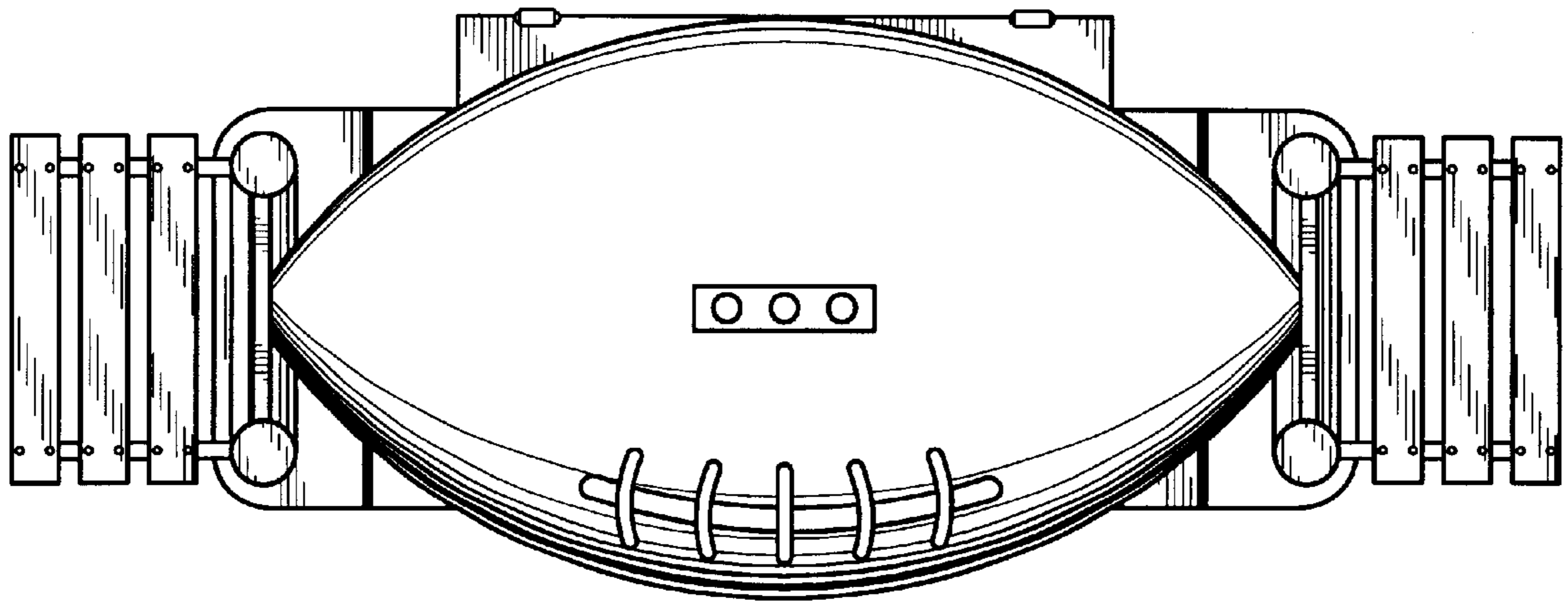


Fig. 6

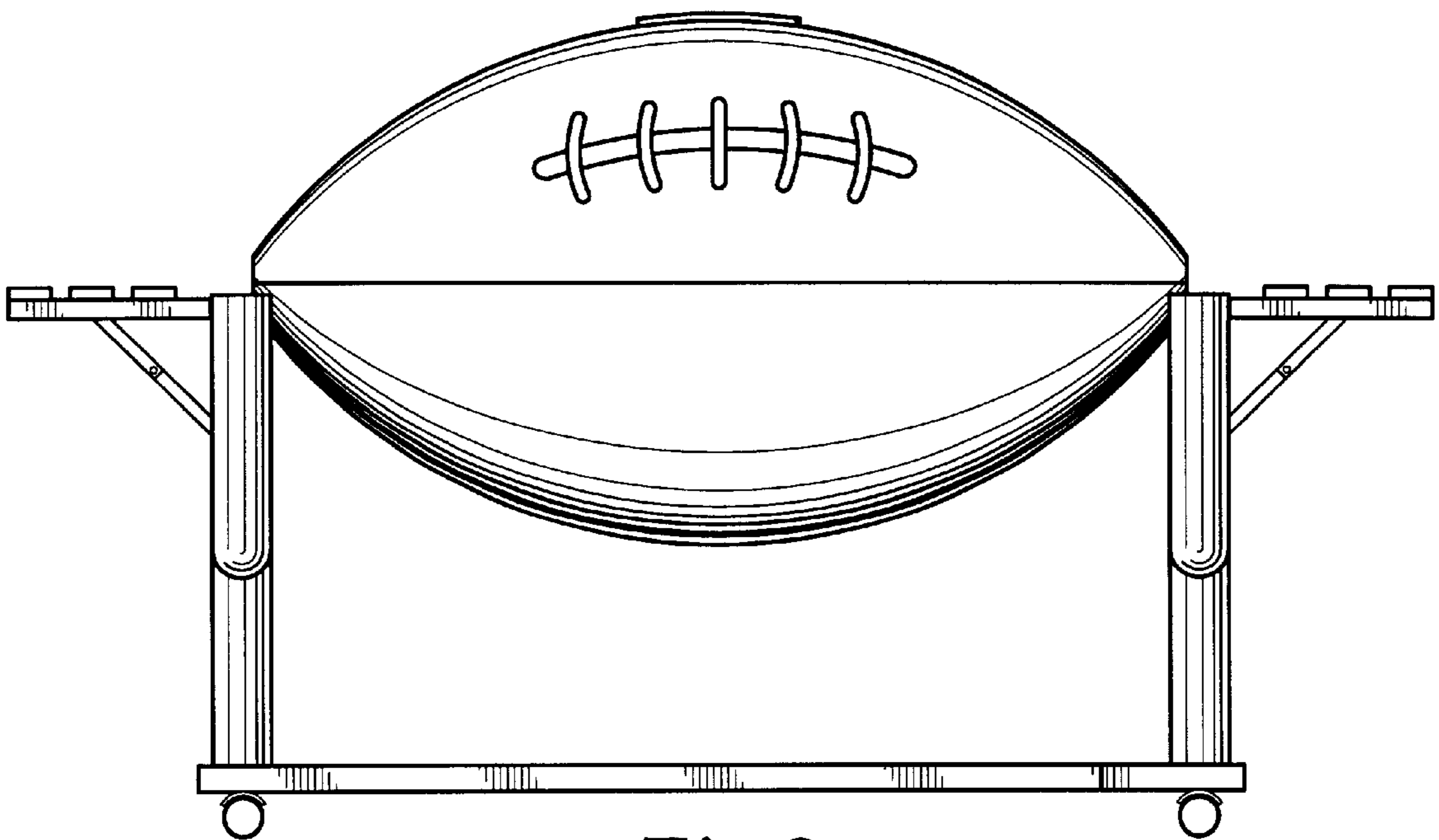


Fig. 2

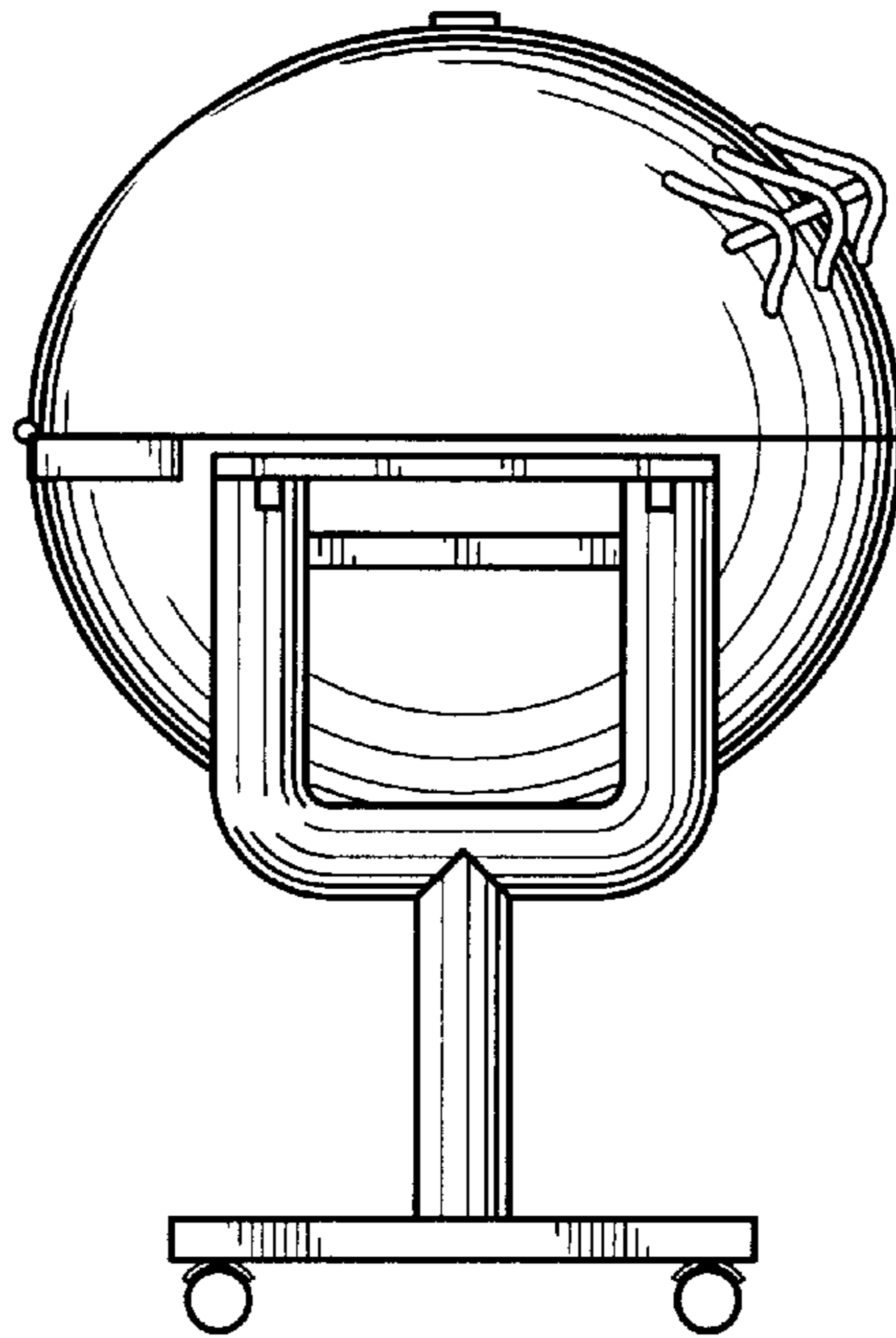


Fig.5

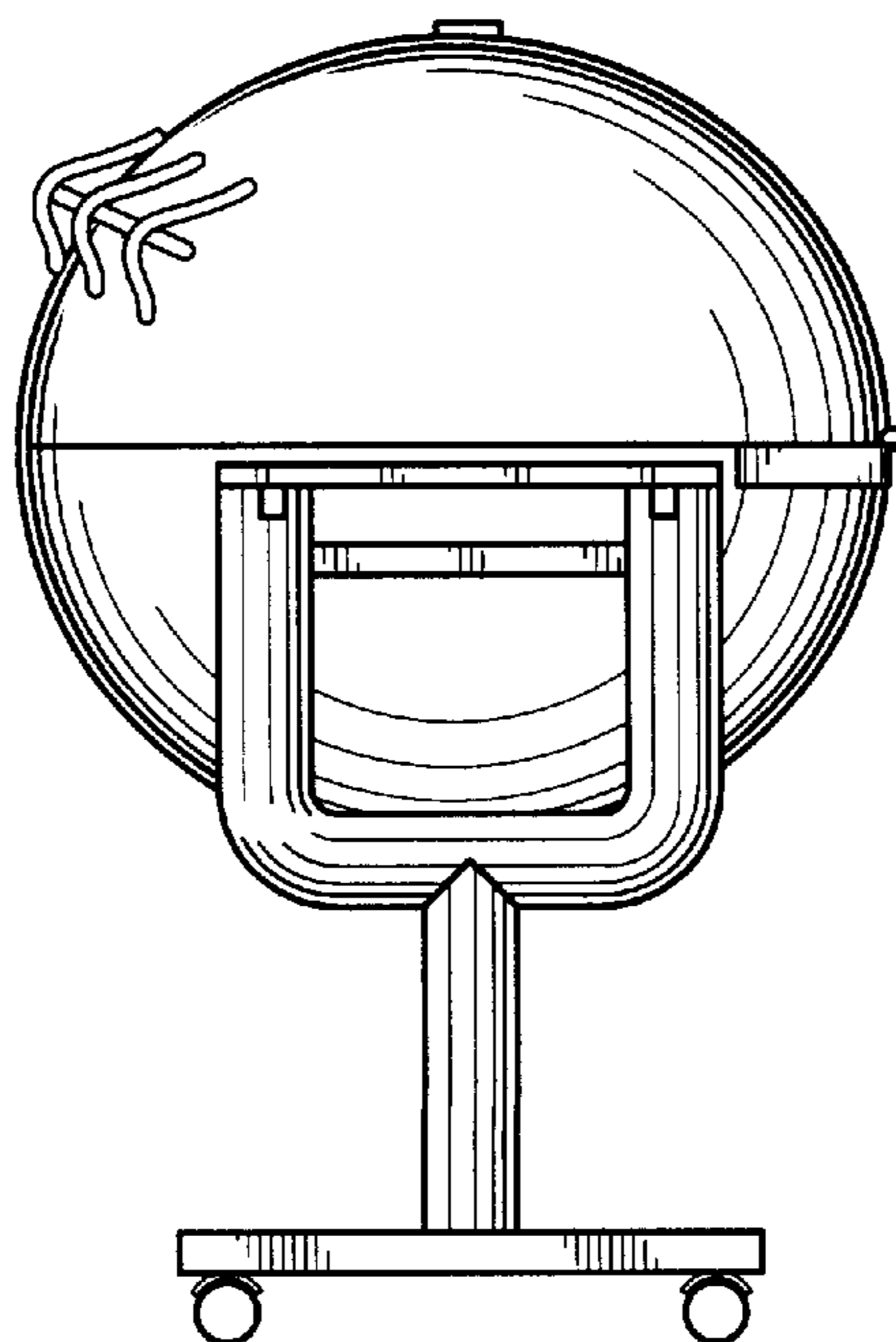


Fig.3