



US00D421195S

United States Patent [19]

[11] Patent Number: **Des. 421,195**

Pezzullo

[45] Date of Patent: **** Feb. 29, 2000**

[54] **JEWELRY CIRCULAR DISPLAY STAND**

D. 403,532 1/1999 Moser D6/457
3,209,903 10/1965 Shiffman 206/566 X

[75] Inventor: **Ronald A. Pezzullo**, Cranston, R.I.

Primary Examiner—Doris V. Coles
Assistant Examiner—Linda Brooks
Attorney, Agent, or Firm—Salter & Michaelson

[73] Assignee: **K&M Associates**, Providence, R.I.

[**] Term: **14 Years**

[57] CLAIM

[21] Appl. No.: **29/097,775**

The ornamental design for a jewelry circular display stand, as shown.

[22] Filed: **Dec. 14, 1998**

DESCRIPTION

[51] **LOC (6) Cl.** **06-04**

FIG. 1 is a perspective view of a jewelry circular display stand showing my new design;
FIG. 2 is a top plan view thereof;
FIG. 3 is a bottom plan view thereof;
FIG. 4 is a front elevational view thereof;
FIG. 5 is a rear elevational view thereof;
FIG. 6 is a side elevational view thereof; and,
FIG. 7 is an elevational view of the opposite side.

[52] **U.S. Cl.** **D6/460**

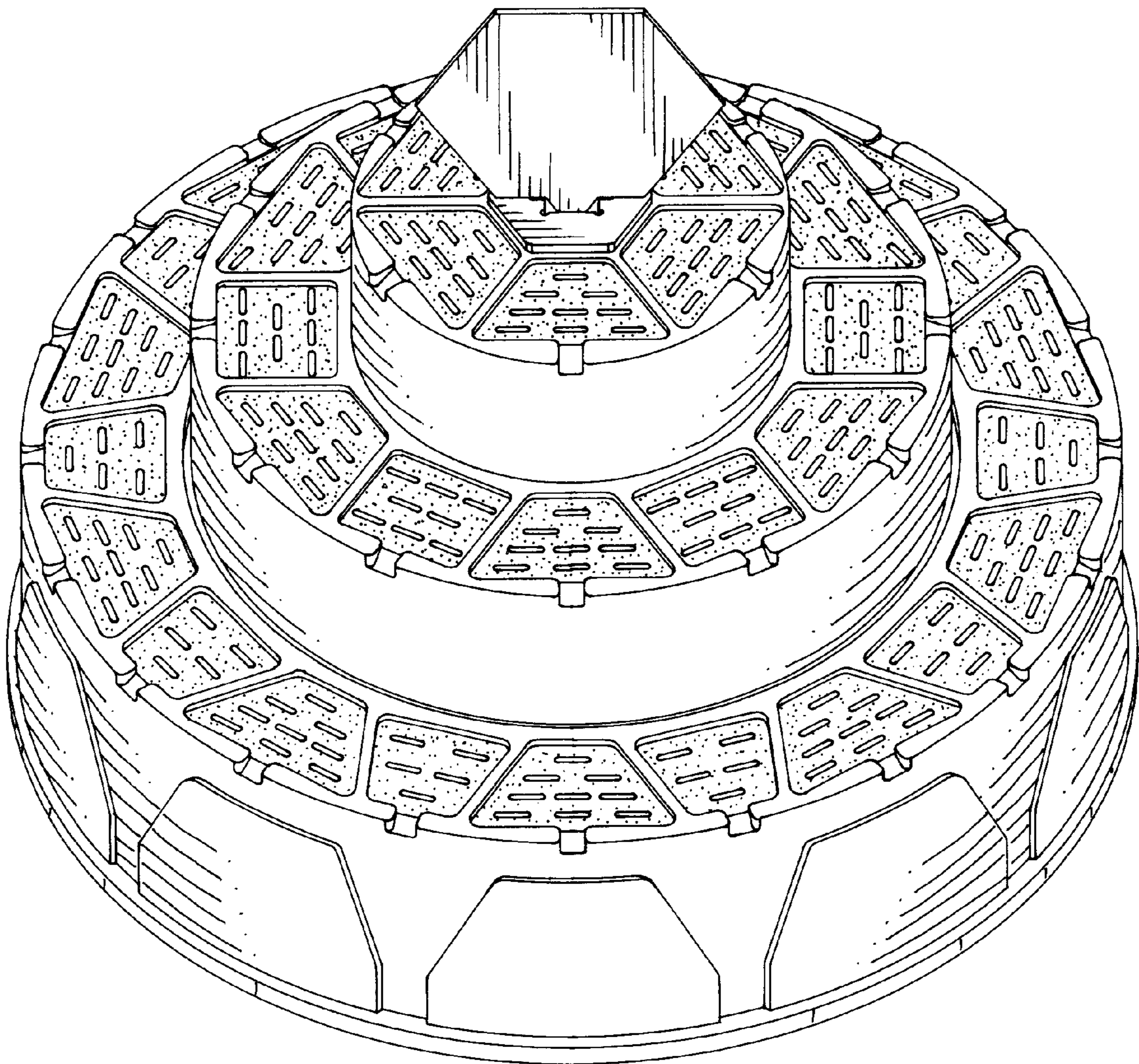
[58] **Field of Search** D6/455-460, 474;
D20/19; 206/6.1, 566; 211/85.2, 85.26

[56] References Cited

U.S. PATENT DOCUMENTS

D. 243,658 3/1977 Schneider D6/455
D. 288,154 2/1987 Hobgood D6/466
D. 361,678 8/1995 Tavone et al. D6/457

1 Claim, 5 Drawing Sheets



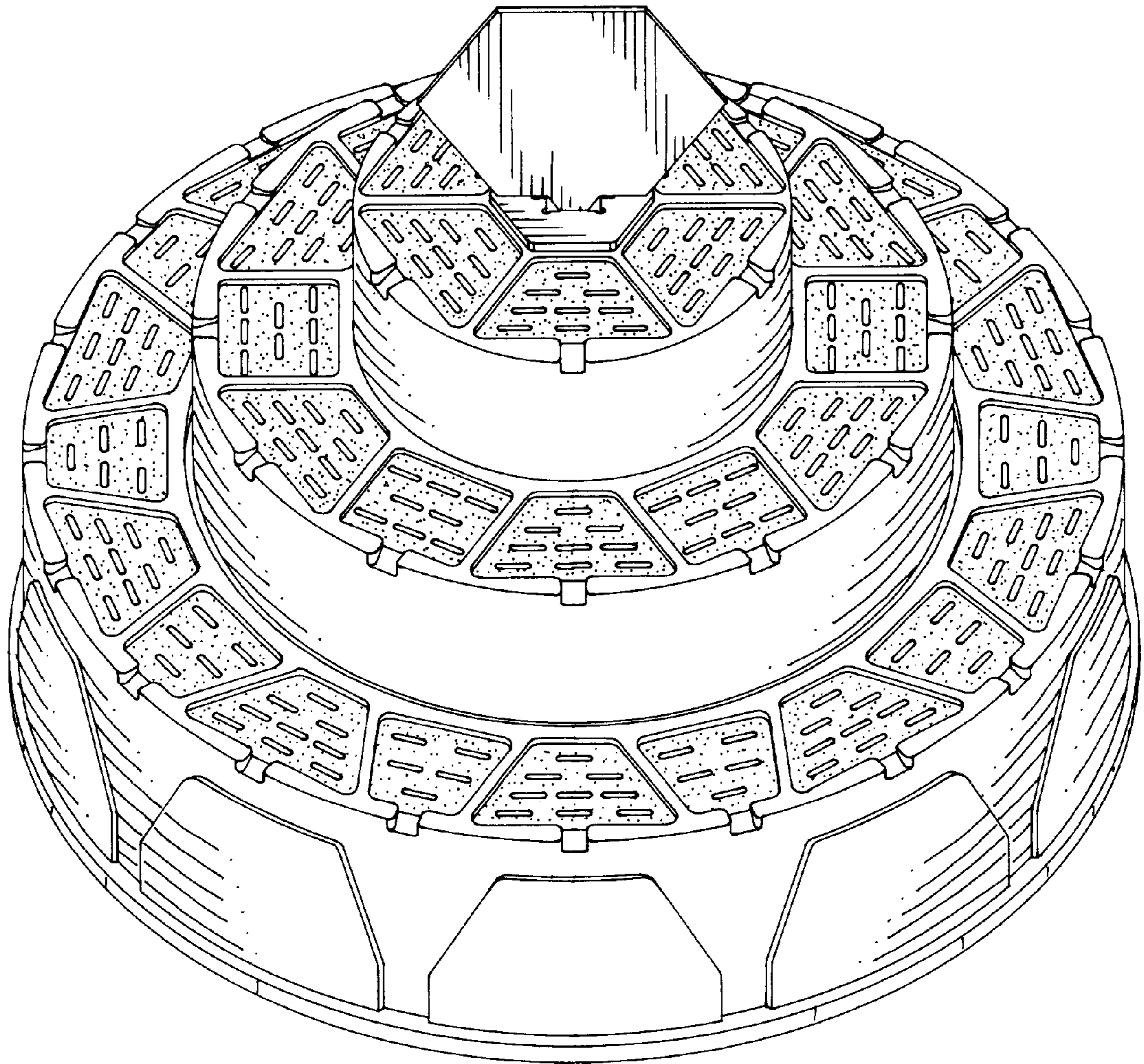


FIG. 1

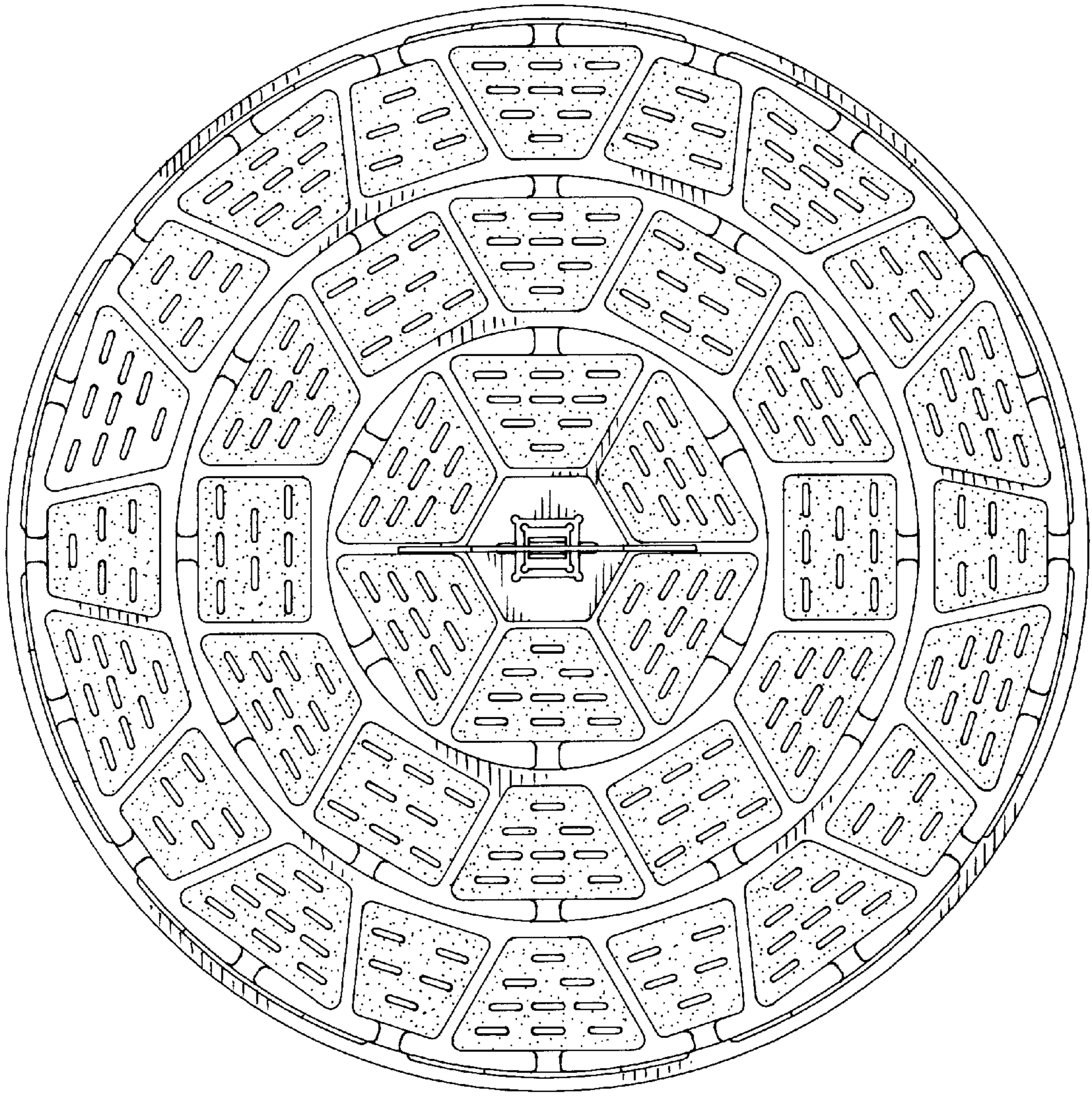


FIG. 2

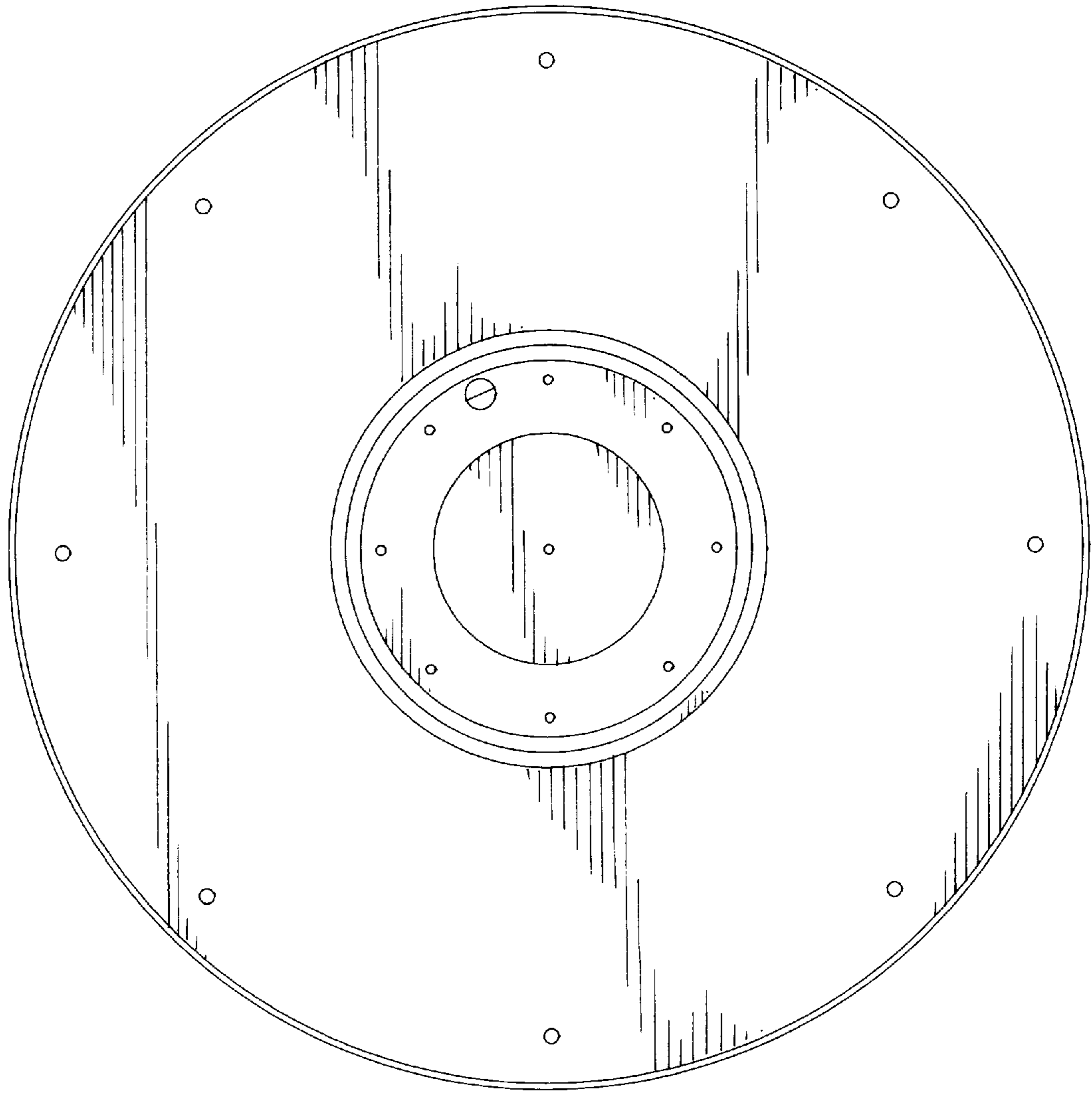


FIG. 3

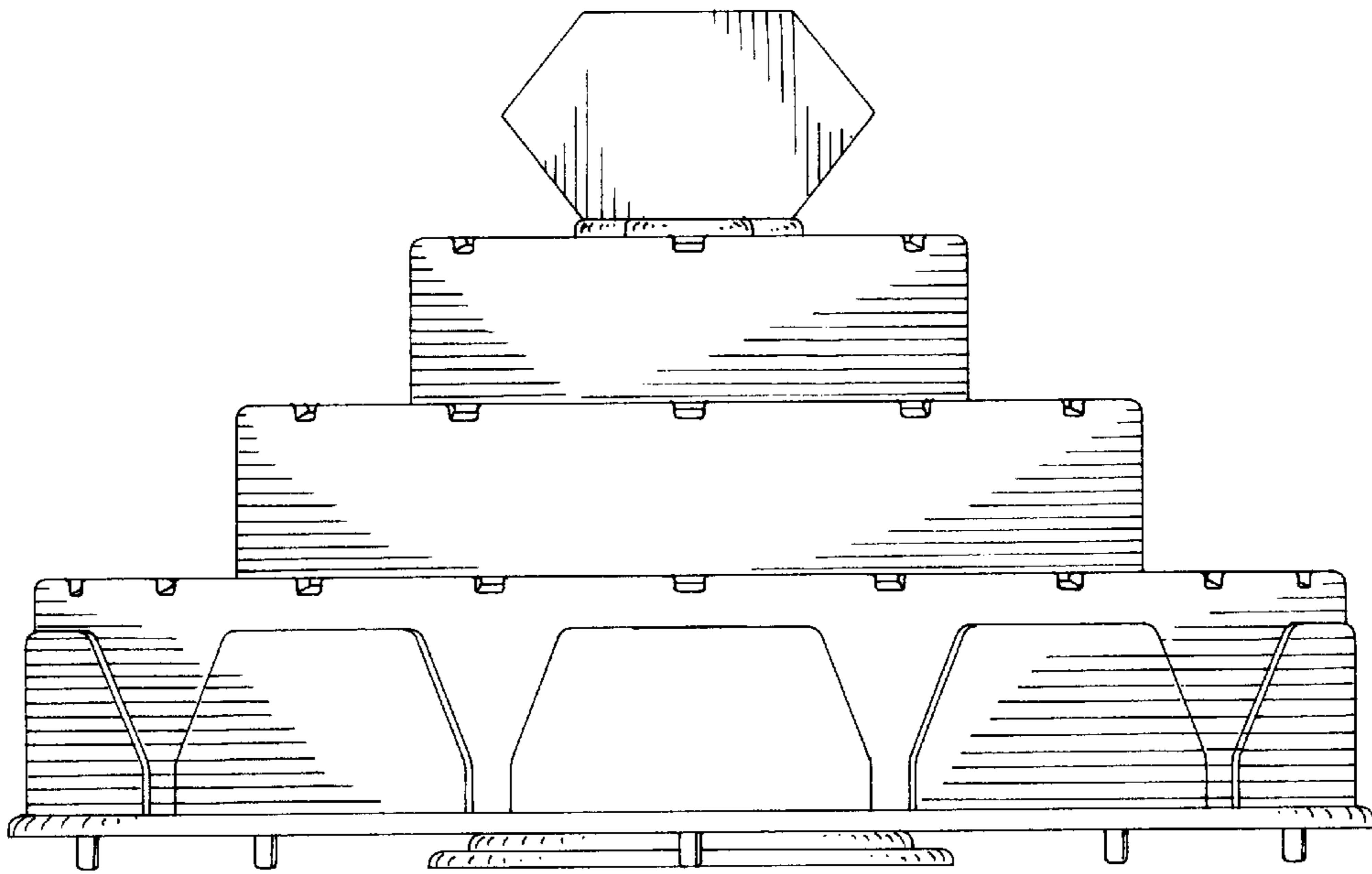


FIG. 4

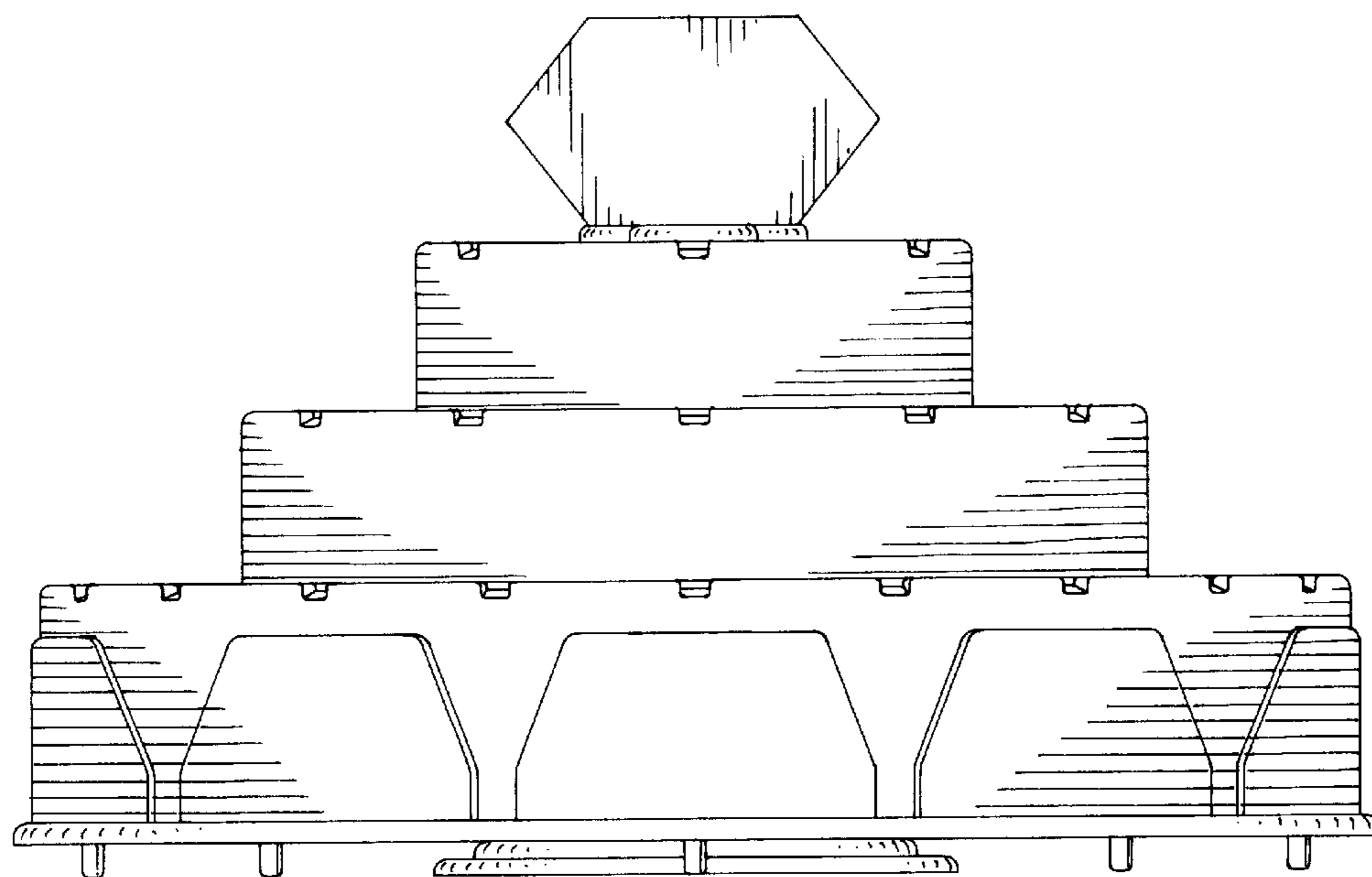


FIG. 5

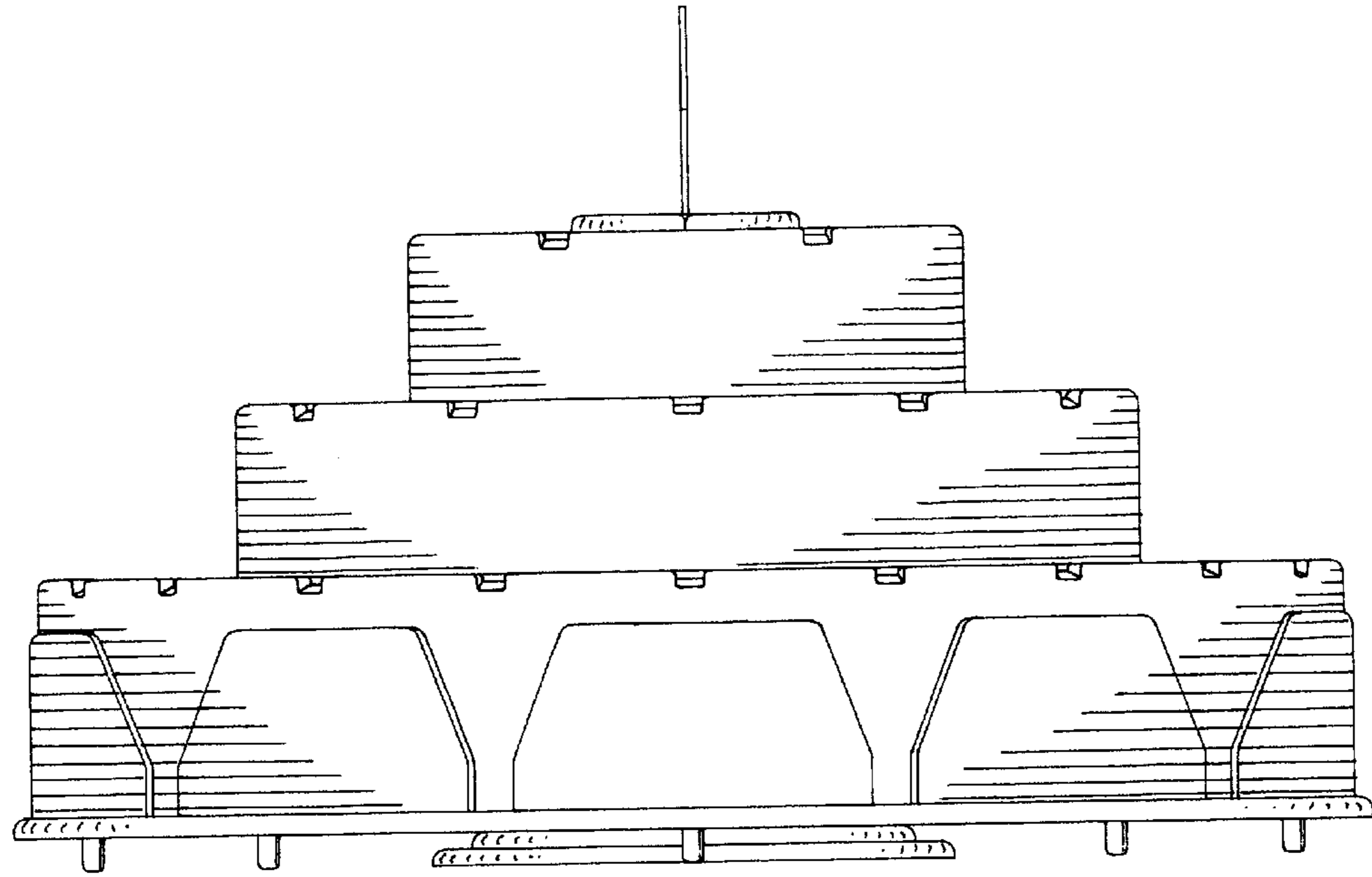


FIG. 6

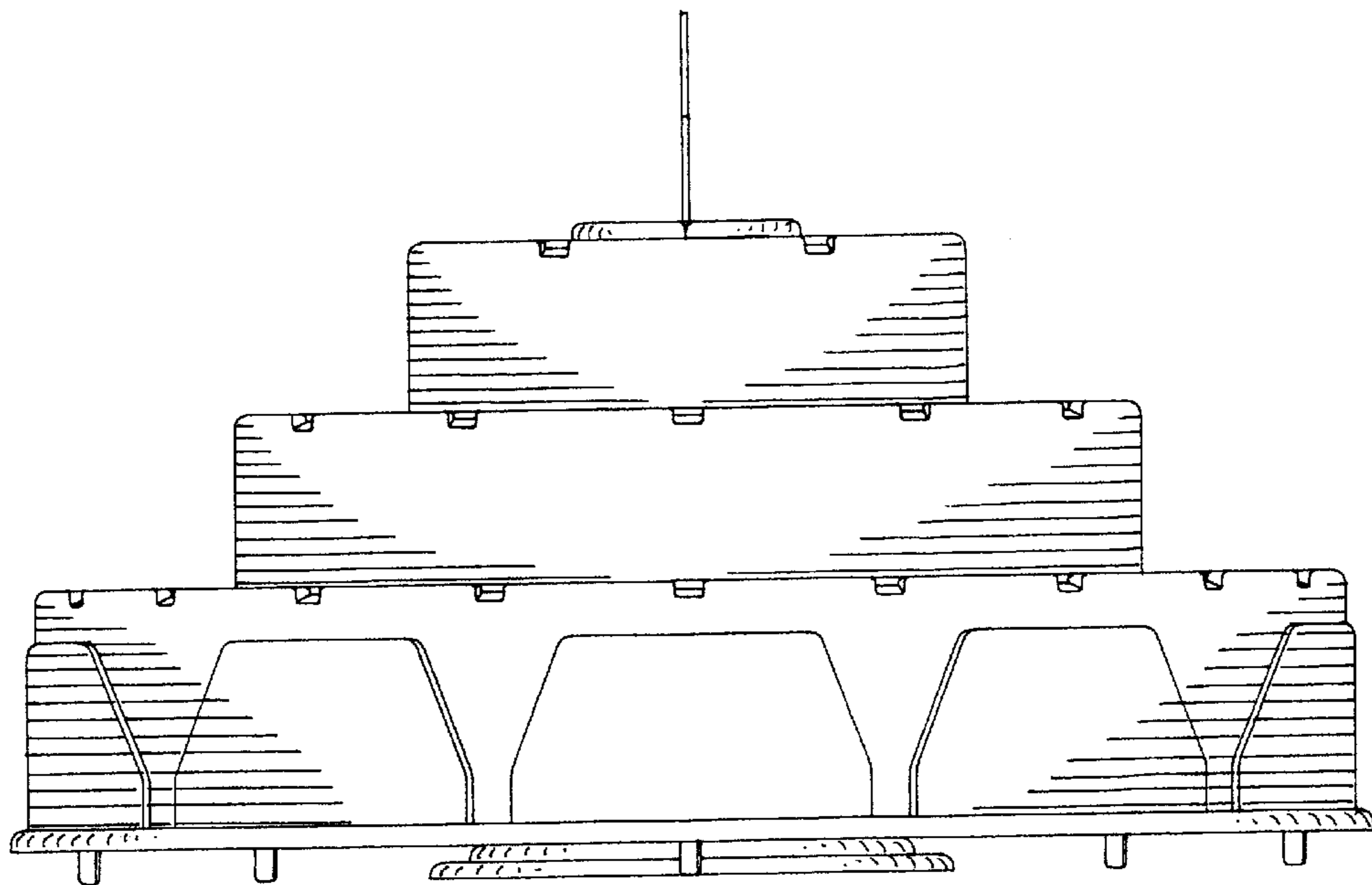


FIG. 7