



US00D421192S

United States Patent [19] White

[11] **Patent Number: Des. 421,192**

[45] **Date of Patent: ** Feb. 29, 2000**

[54] **ARM CHAIR FRAME**

[75] Inventor: **Kirsten White**, Toronto, Canada

[73] Assignee: **Ontario Ltd.**, Ontario, Canada

[**] Term: **14 Years**

[21] Appl. No.: **29/087,021**

[22] Filed: **Apr. 24, 1998**

[51] **LOC (6) Cl. 06-01**

[52] **U.S. Cl. D6/368; D6/500**

[58] **Field of Search D6/334, 368, 370,
D6/374, 376, 379, 380, 500, 501, 502;
297/16.1, 23, 27, 35, 39, 41, 56, 60, 411.43**

[56] **References Cited**

U.S. PATENT DOCUMENTS

D. 189,343	11/1960	Gittings	D6/501
D. 239,746	5/1976	Narduzzi	D6/368
D. 276,107	10/1984	Grosfillex	D6/368
D. 282,223	1/1986	Lee	D6/368
D. 288,871	3/1987	Hubert	D6/368
328,322	10/1885	Lindsay	297/41
D. 346,075	4/1994	Hess	D6/376
D. 396,365	7/1998	Lizell	D6/500
D. 399,667	10/1998	Muller	D6/370
2,080,765	5/1937	Croft	297/60

OTHER PUBLICATIONS

Grosfillex Contract, Chairs With and Without Arms at top. Outdoor Furnitures, Chairs at top left.

Prof. Johannes Spalt, University of Applied Arts in Vienna, publication entitled "Folding Chairs", main entry under title: "Klappstuhle", A presentation by the master class of interior architecture and industrial design, A book published with the assistance of Franz Wittmann, Austria, 3 pp., (1982).

Pierre Moulin, Pierre LeVec and Linda Dannenberg., publication entitled, "Pierre Deux's French Country—A Style and Source Book", published by Clarkson N. Potter, Inc., One Park Avenue, New York, New York 10016 and simultaneously in Canada by General Publishin Company Limited, 4 pp. (1984).

Mary Gilliatt, publication entitled, "English Country Style", first published in Great Britain 1986 by Orbis Book Publishing Corporation, copyright 1986 by Shuckburgh Reynolds Ltd., 4pp., (1986).

Product literature entitled, "Genius Teak—Teak Garden Furniture '97—Comprehensive Collection With 13 Models", 2 pp., (1997).

Product literature entitled, "Garten & Park Einrichtungen—Garpa", 2 pp., (Summer 1997).

Allibert Contract product literature, Folding/Multiposition Seating, p. 18, (1996).

Smith & Hawken product literature, "Parisian Park Furniture", p. 35, (1996).

Barlow Tyrie product literature, "The Ascot Suite", (1996).

Gloster product literature, "Teak Furniture for Commercial and Institutional Projects", (as early as Dec. 1, 1997).

Primary Examiner—Gary D. Watson

Attorney, Agent, or Firm—Heslin & Rothenberg, P.C.

[57] **CLAIM**

The ornamental design for an arm chair frame, as shown and described.

DESCRIPTION

FIG. 1 is a perspective view of the arm chair frame comprising my new design;

FIG. 2 is a top view thereof;

FIG. 3 is a front elevational view thereof;

FIG. 4 is a side elevational view thereof, the opposite elevational view being a mirror image;

FIG. 5 is a back elevational view thereof;

FIG. 6 is a bottom view thereof; and,

FIG. 7 is a side elevational view of the arm chair frame shown in folded condition.

The broken lines shown are for illustrative purposes only and form no part of the claimed design.

1 Claim, 7 Drawing Sheets

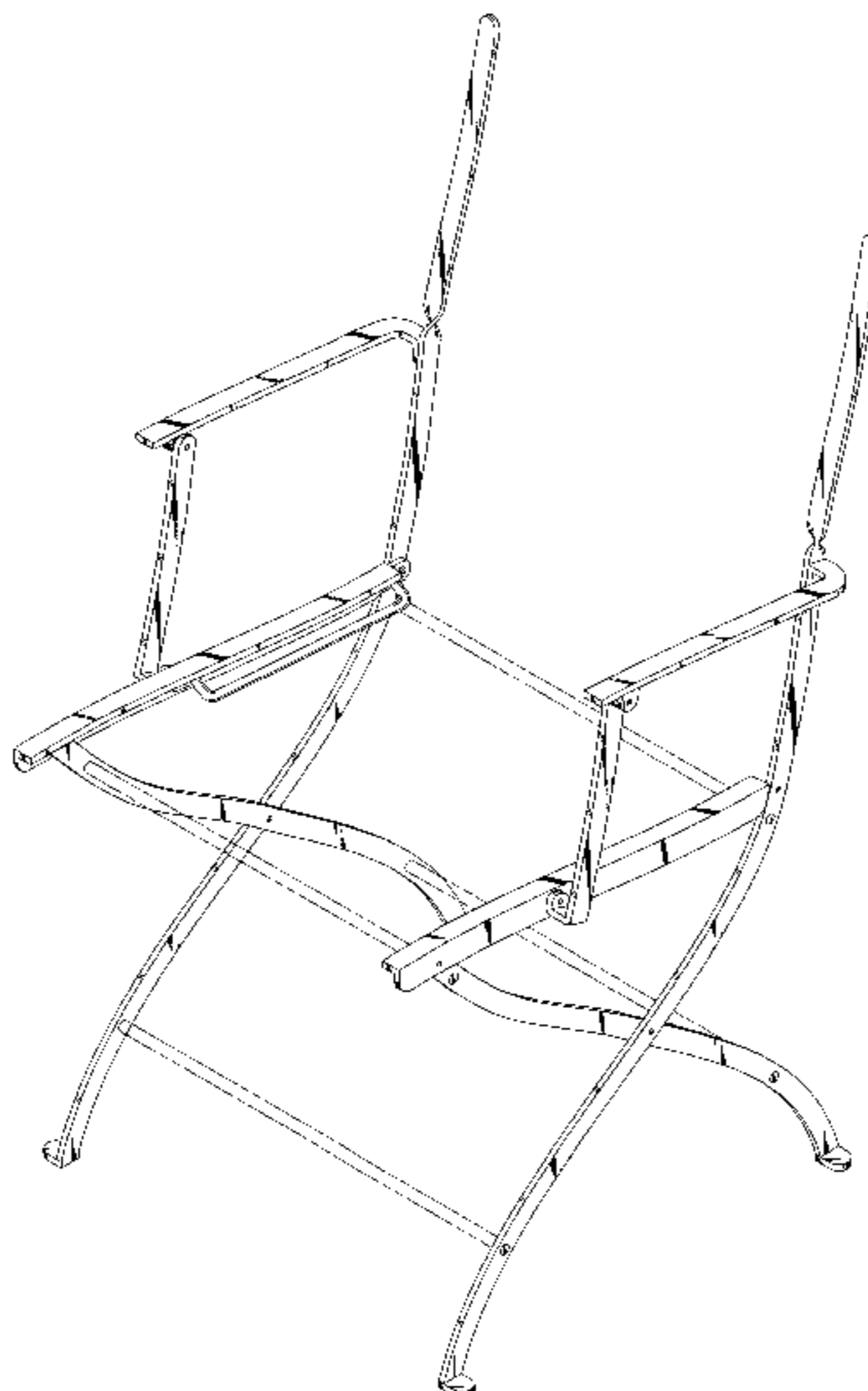
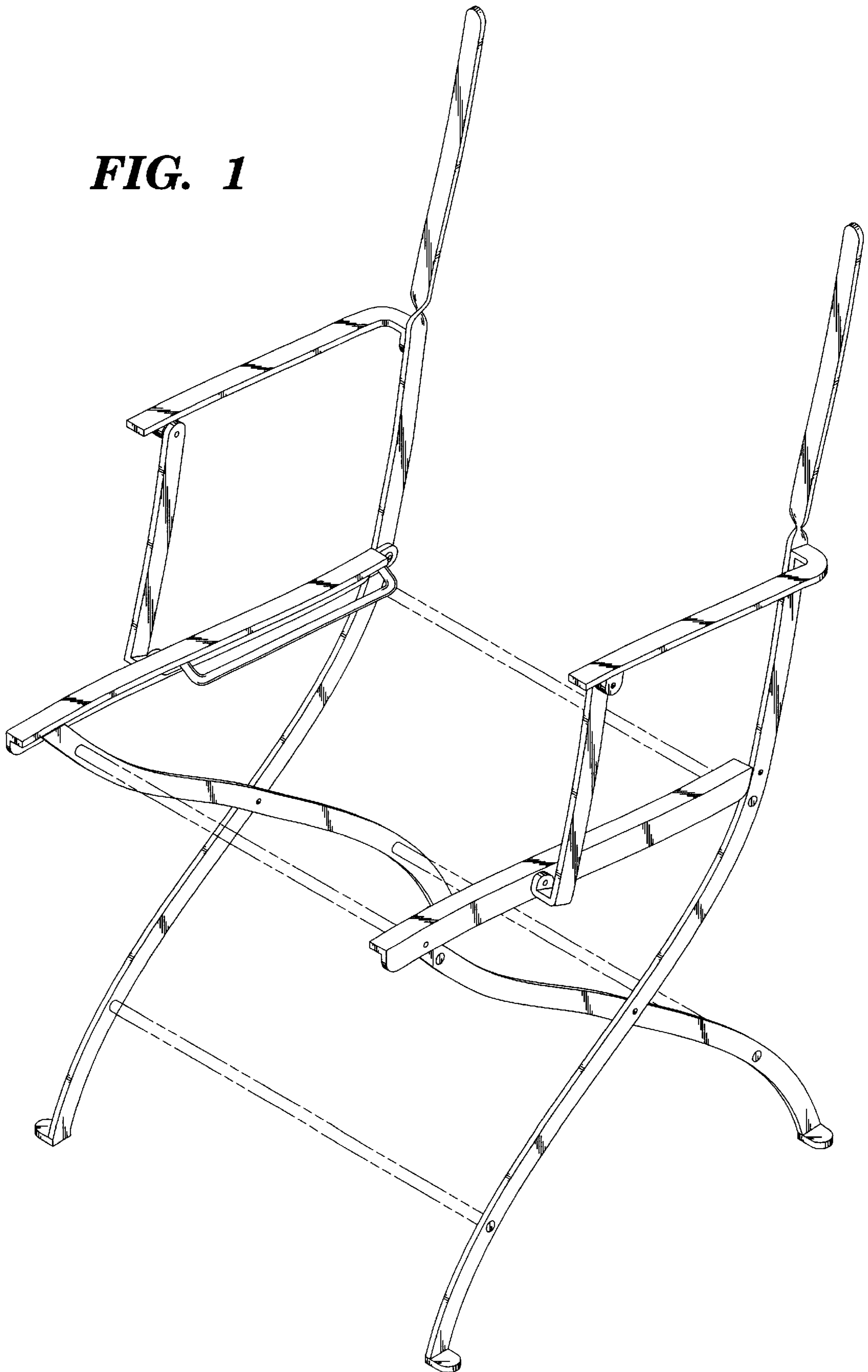


FIG. 1



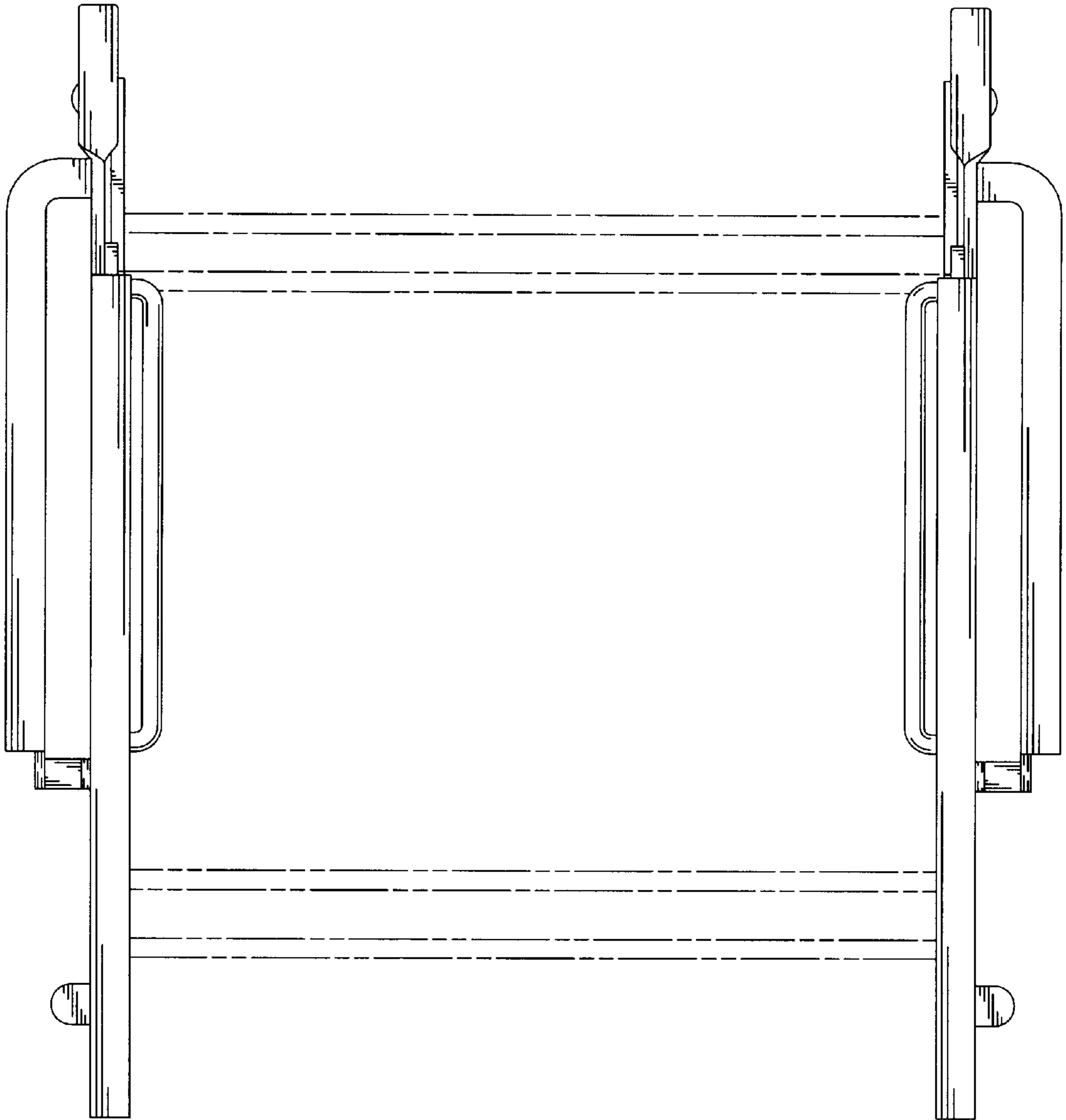


FIG. 2

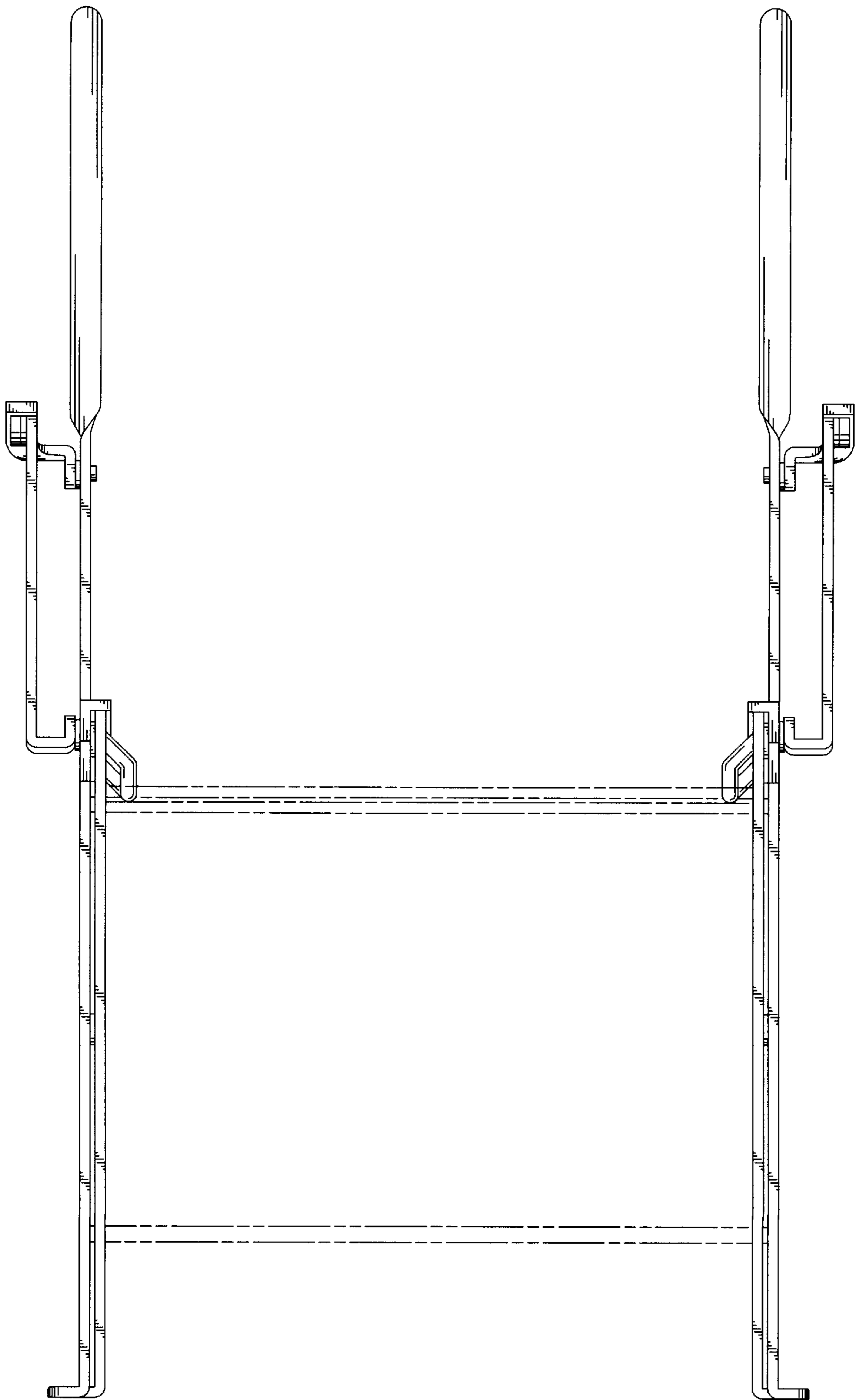


FIG. 3

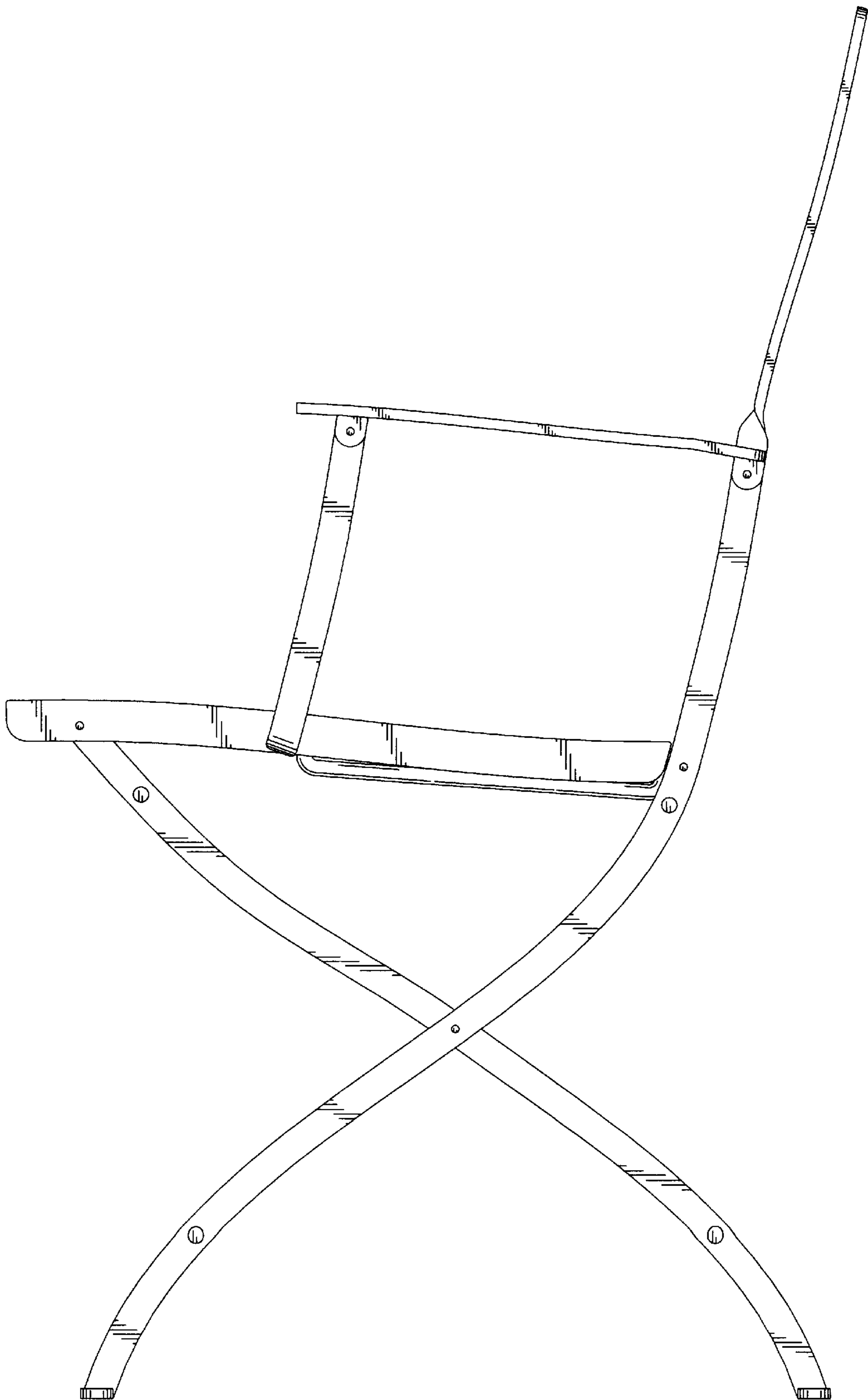


FIG. 4

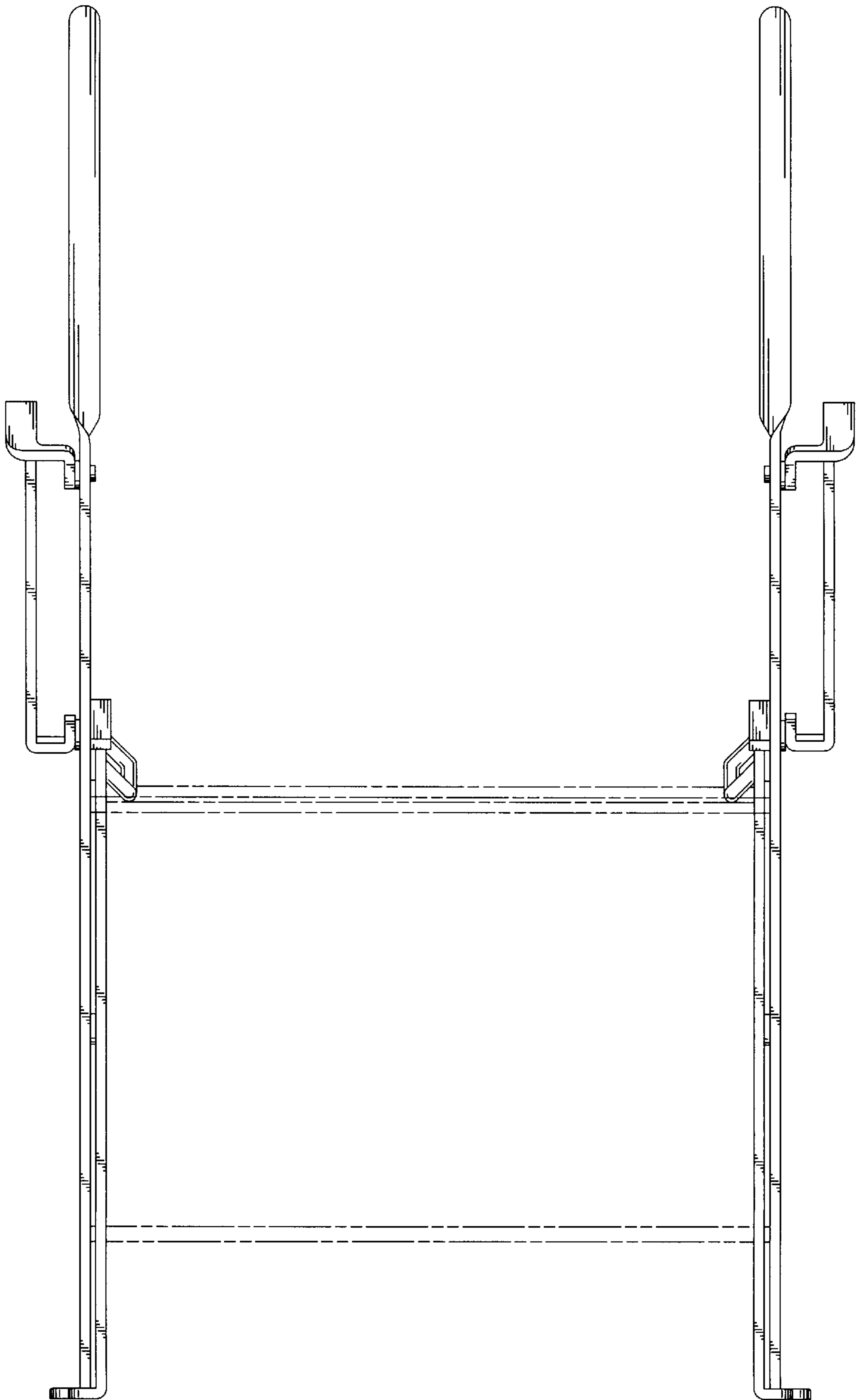


FIG. 5

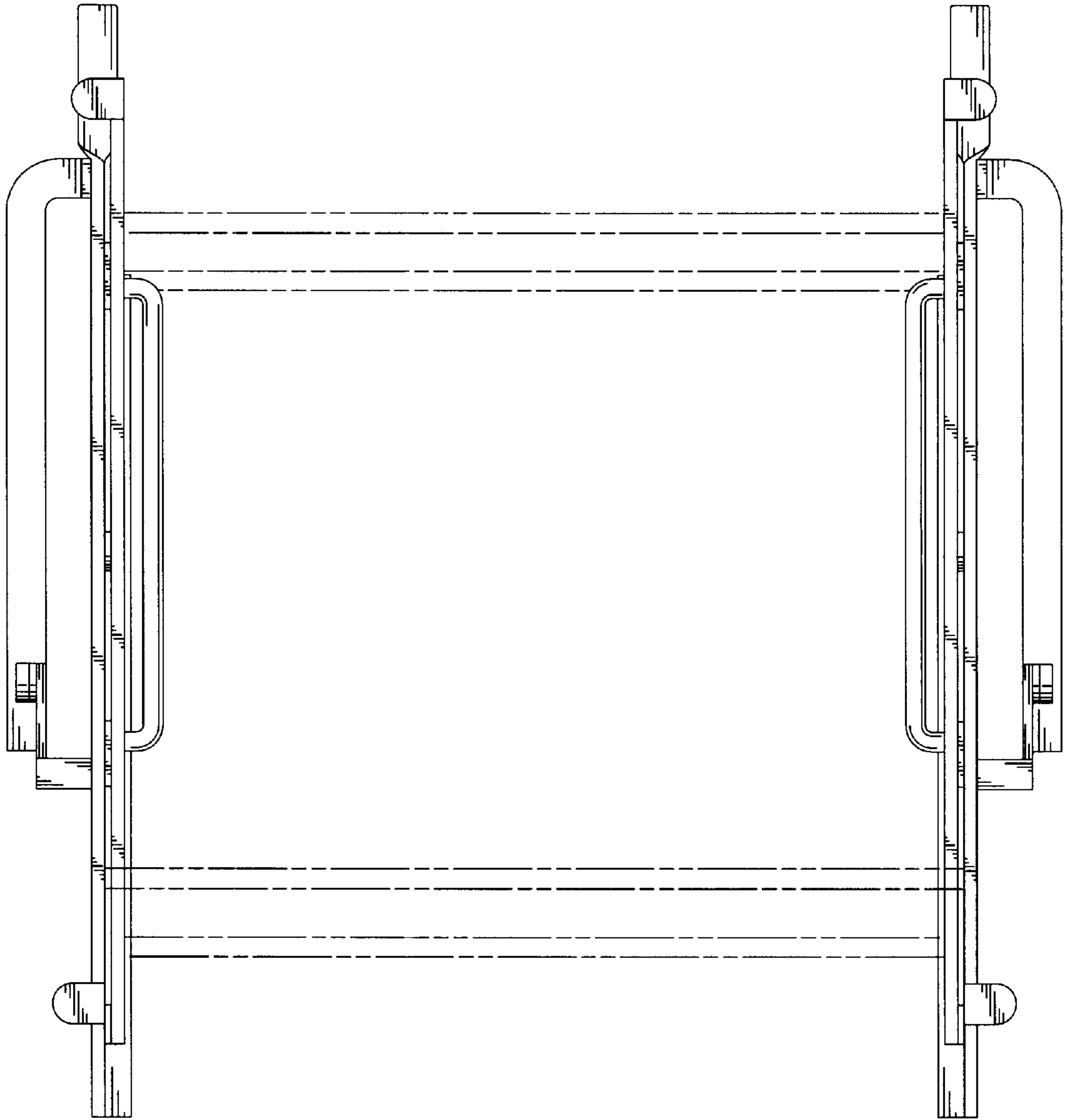


FIG. 6

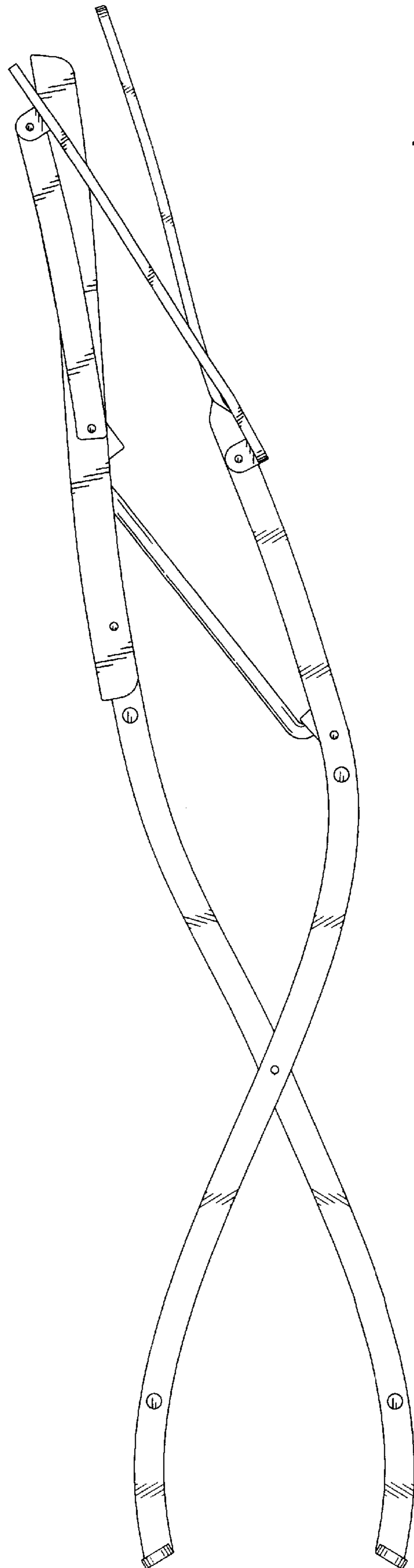


FIG. 7