



US00D421190S

United States Patent [19] Sagastegui

[11] Patent Number: **Des. 421,190**

[45] Date of Patent: **** Feb. 29, 2000**

[54] **COLLAPSIBLE LOWER BACK SUPPORT**

[76] Inventor: **John Sagastegui**, 240 Ave. Vista
Montana, #13A, San Clemente, Calif.
92672

[**] Term: **14 Years**

[21] Appl. No.: **29/060,119**

[22] Filed: **Sep. 23, 1996**

[51] LOC (6) Cl. **06-01**

[52] U.S. Cl. **D6/368**

[58] Field of Search D6/334, 335, 336,
D6/368, 374, 375, 379, 500, 501, 502;
297/380

[56] **References Cited**

U.S. PATENT DOCUMENTS

D. 121,266 7/1940 Archer D6/368

D. 258,178	2/1981	Bayne	D6/368 X
D. 303,878	10/1989	Goldsmith	D6/368
D. 329,148	9/1992	Hwang et al.	D6/368
D. 360,768	8/1995	Hwang et al.	D6/368
D. 367,367	2/1996	Bekerman	D6/336
2,239,669	4/1941	Blake	D6/368 X
3,825,298	7/1974	Chipman	D6/368 X
4,824,171	4/1989	Hollingsworth	D6/368 X

Primary Examiner—Gary D. Watson
Attorney, Agent, or Firm—Steins & Associates

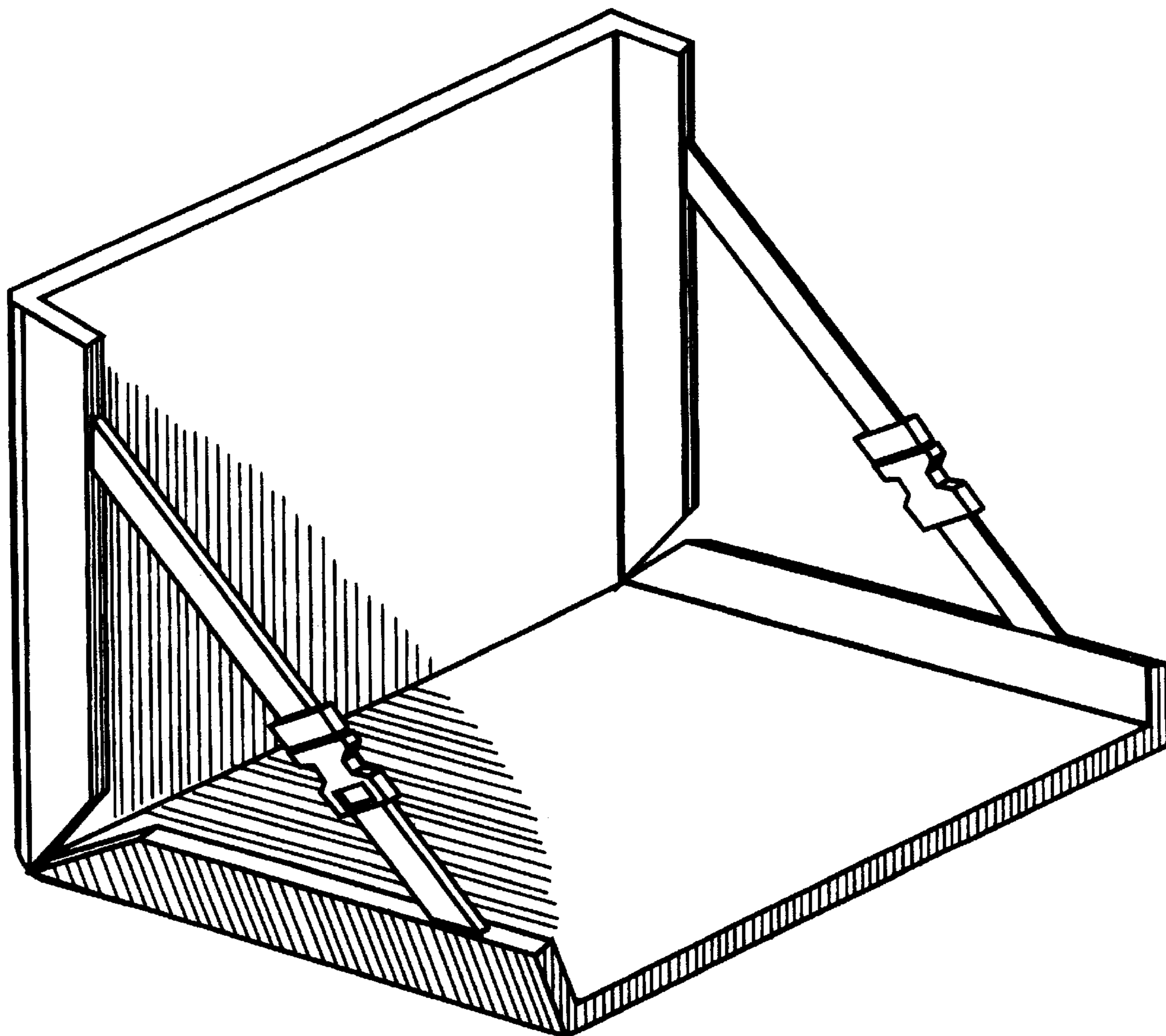
[57] **CLAIM**

The ornamental design for a collapsible lower back support, as shown.

DESCRIPTION

FIG. 1 is a perspective view; and,
FIG. 2 is a perspective view.

1 Claim, 2 Drawing Sheets



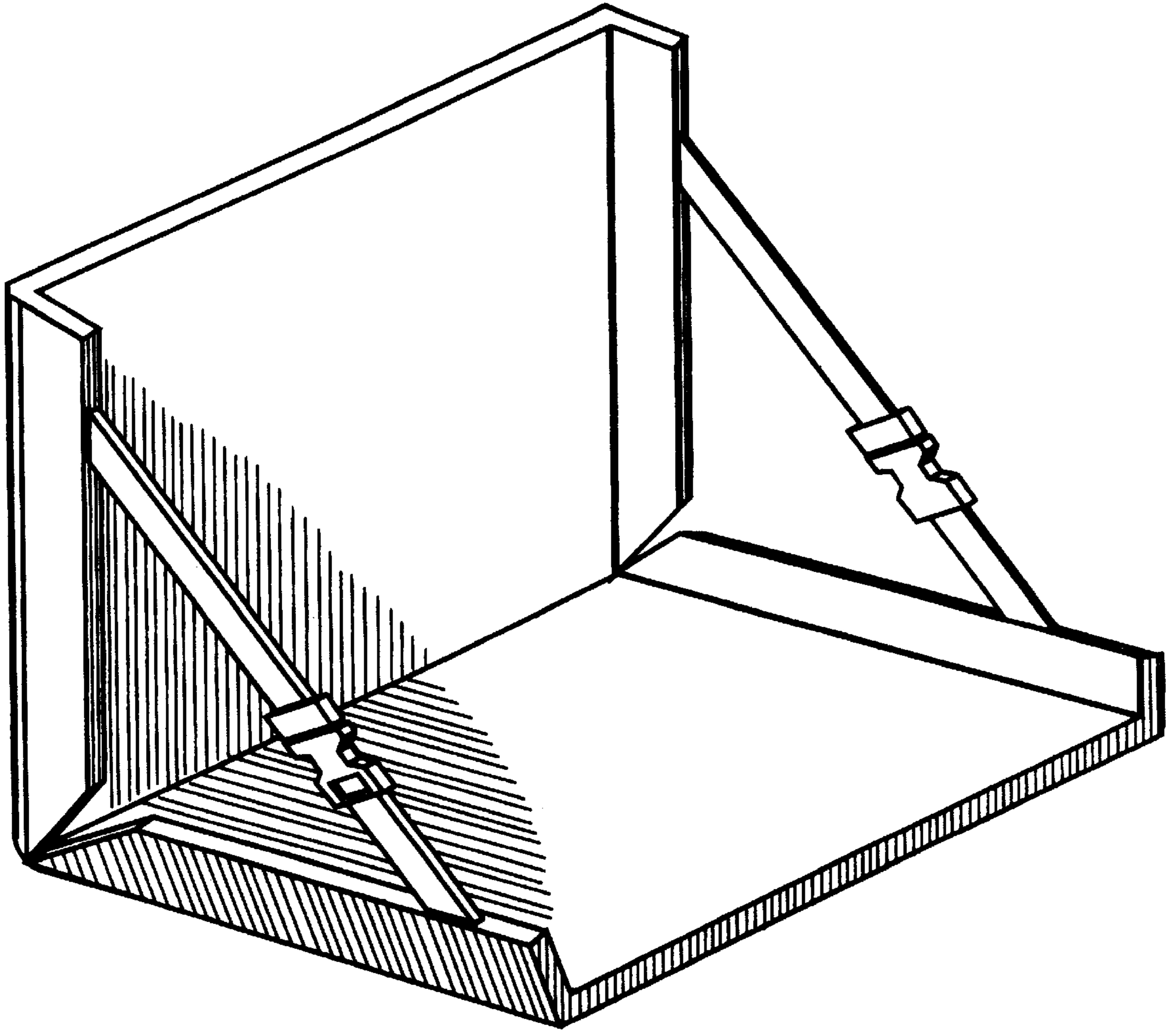


FIGURE 1

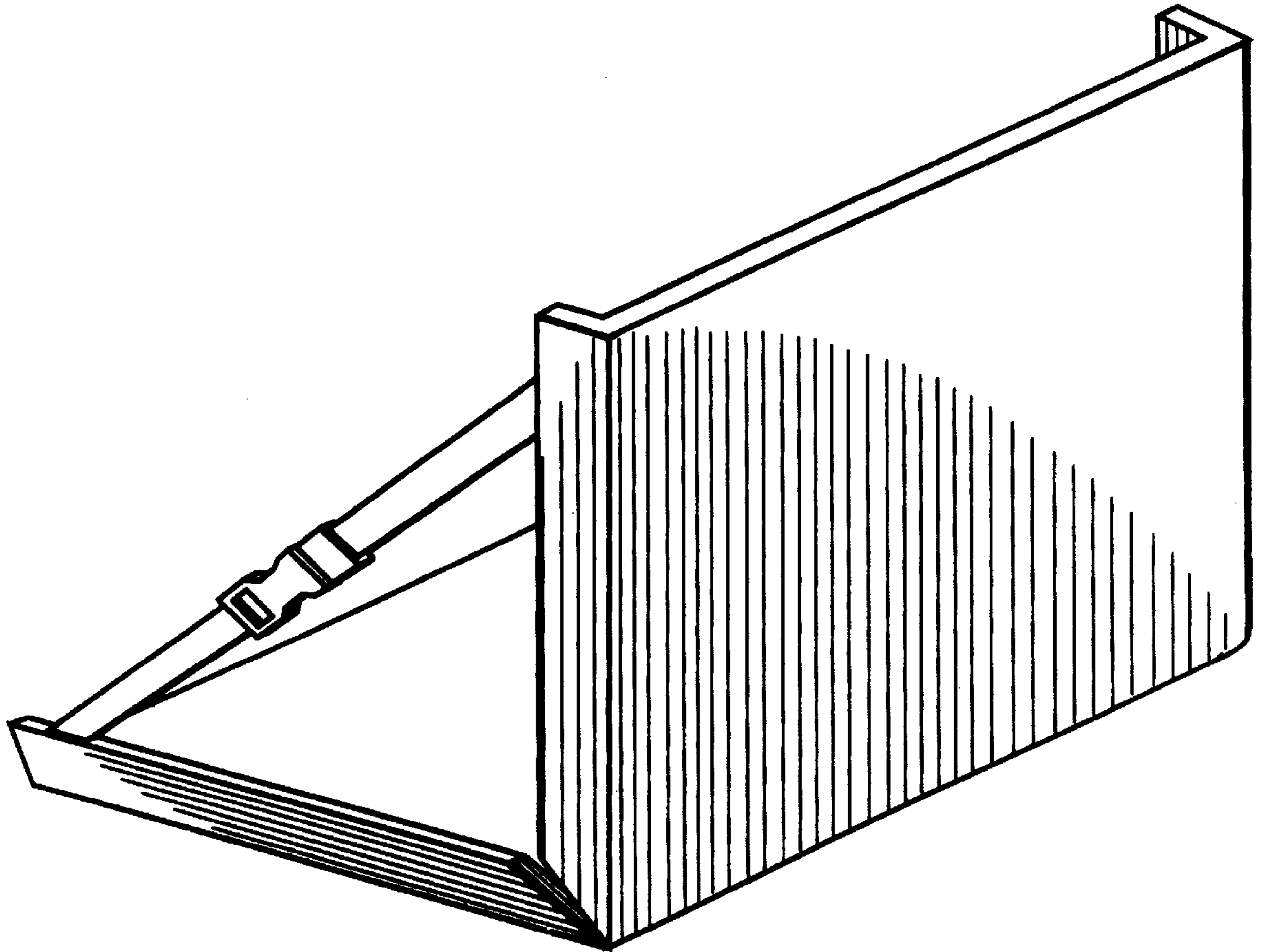


FIGURE 2