



US00D421183S

United States Patent [19]
Koskinen

[11] **Patent Number: Des. 421,183**

[45] **Date of Patent: ** Feb. 29, 2000**

[54] **TRANSPORT CONTAINER**

[75] Inventor: **Kaj Koskinen**, Rydebäck, Sweden

[73] Assignee: **Perstorp AB**, Perstorp, Sweden

[**] Term: **14 Years**

[21] Appl. No.: **29/086,792**

[22] Filed: **Apr. 20, 1998**

[51] **LOC (6) Cl.** **03-01**

[52] **U.S. Cl.** **D3/312; D3/304; D3/307;**
D3/314

[58] **Field of Search** D3/304, 307, 309,
D3/312, 314; 206/503, 506, 507, 518, 540,
557; 220/519, 676; D9/424, 425

[56] **References Cited**

U.S. PATENT DOCUMENTS

D. 246,872 1/1978 White D3/304
D. 248,280 6/1978 Martin D3/304

D. 258,721 3/1981 Steeg D3/307
D. 271,153 10/1983 Deaton D3/304
D. 292,634 11/1987 Chabot D3/307
3,379,339 4/1968 Asenbauer D3/314 X
4,416,374 11/1983 Smith et al. 206/507

Primary Examiner—Louis S. Zarfaz
Assistant Examiner—Monica A. Weingart
Attorney, Agent, or Firm—Stevens, Davis, Miller & Mosher,
L.L.P.

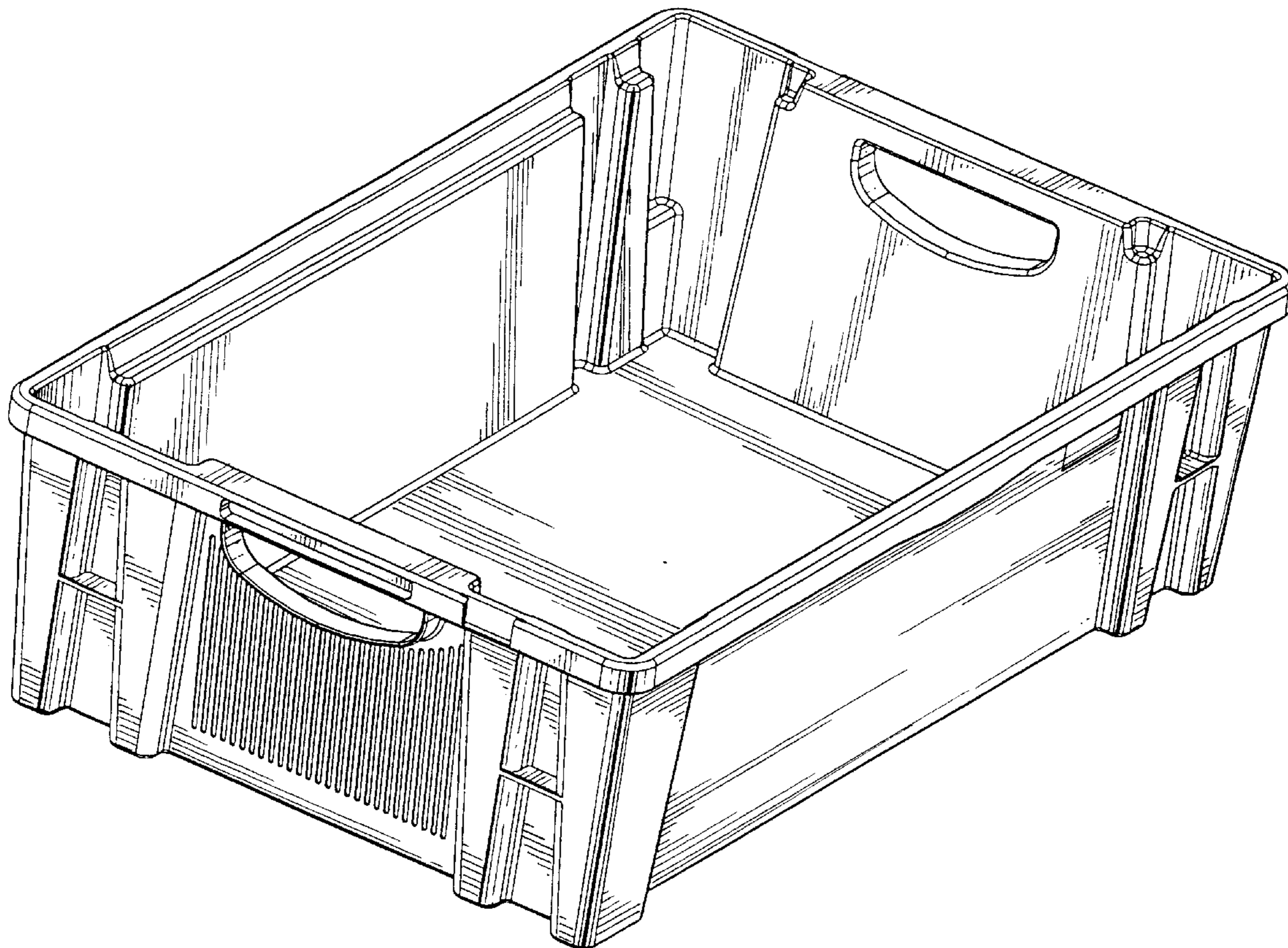
[57] **CLAIM**

The ornamental design for a transport container, as shown and described.

DESCRIPTION

FIG. 1 is a perspective view of my new design for a transport container taken along the upper surface thereof; and, FIG. 2 is a perspective view of my new design for a transport container taken along the bottom surface thereof.

1 Claim, 2 Drawing Sheets



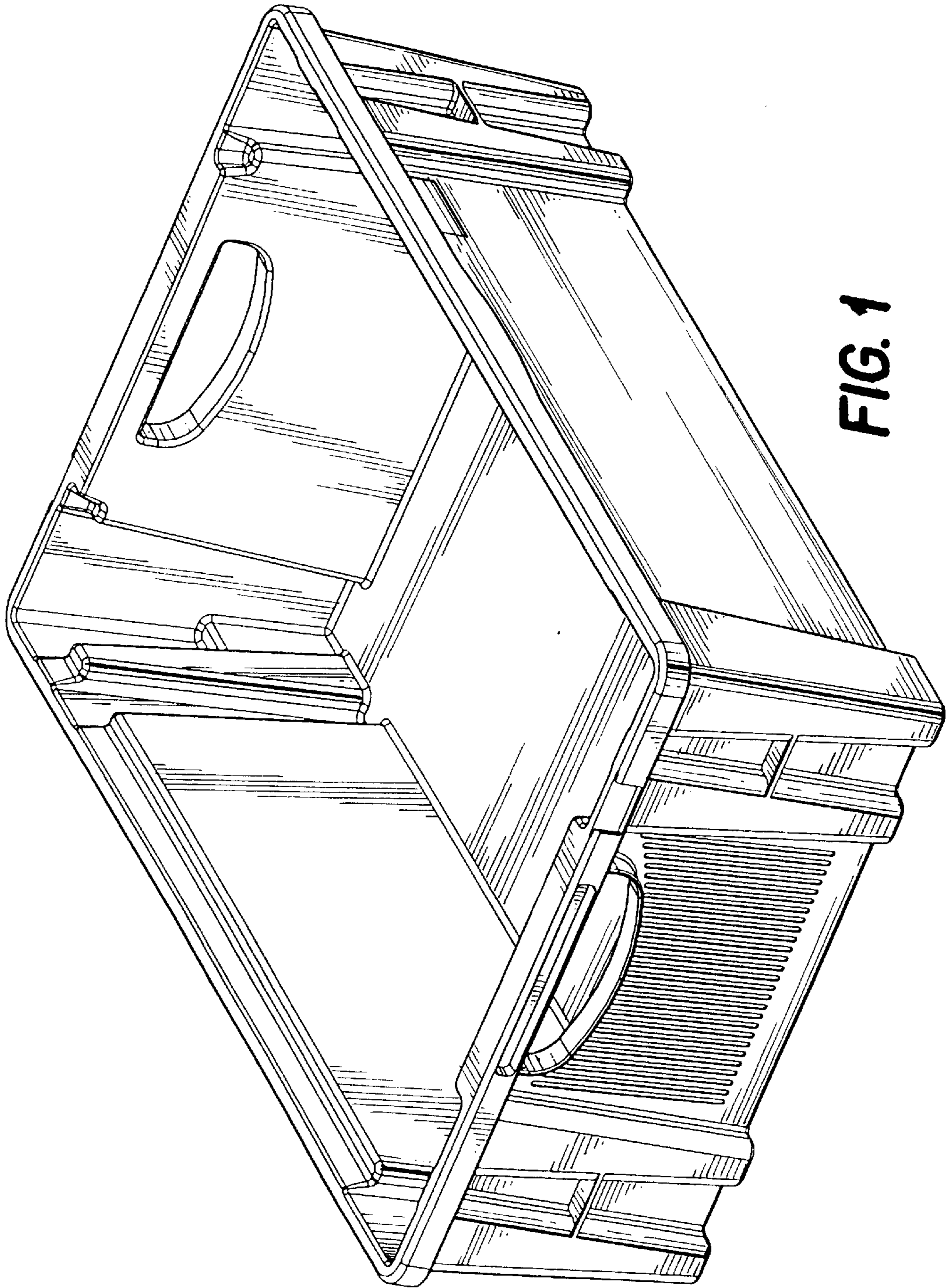


FIG. 1

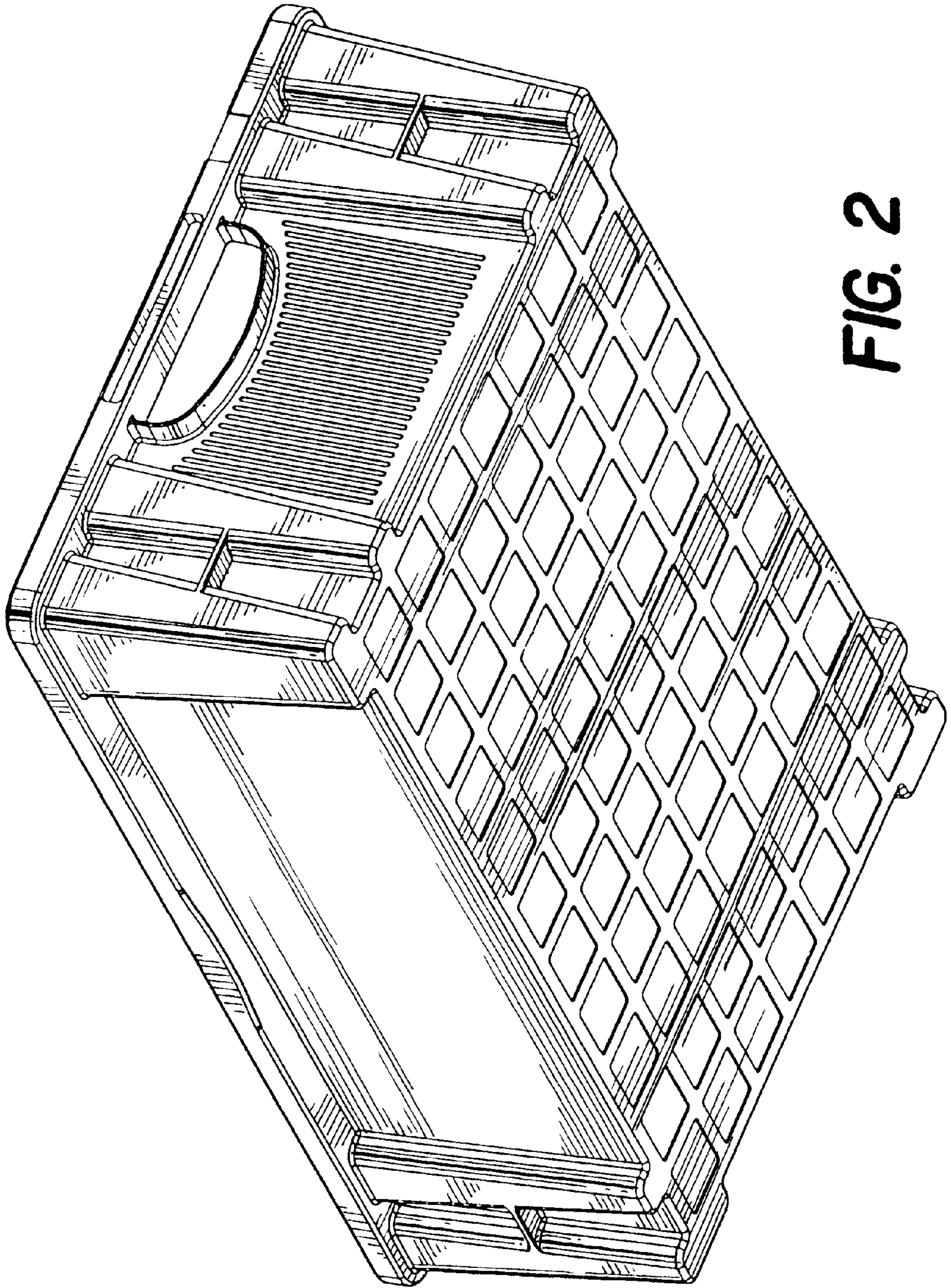


FIG. 2