



US00D421180S

**United States Patent** [19]  
**Sun**

[11] **Patent Number: Des. 421,180**

[45] **Date of Patent: \*\* Feb. 29, 2000**

[54] **TOY CONTAINER FOR STORING BLOCKS**

[76] **Inventor: Jin Ran Sun**, No. 18-17, Shang Szu  
Hu, Lin 3, Shang Hu Li, Yangmei  
Cheng, Taoyuan Hsien, Taiwan

[\*\*] **Term: 14 Years**

[21] **Appl. No.: 29/102,603**

[22] **Filed: Mar. 29, 1999**

[51] **LOC (6) Cl. .... 03-01**

[52] **U.S. Cl. .... D3/271; D3/274; D21/531;  
D21/484**

[58] **Field of Search** ..... D21/483, 484,  
D21/531; D10/46, 64, 2; D3/270, 271,  
274, 276, 273, 291, 282; D9/414, 432,  
424, 418; 446/75, 76

[56] **References Cited**

**U.S. PATENT DOCUMENTS**

D. 286,658 11/1986 Veness ..... D21/483

D. 287,379 12/1986 Edmisson et al. .... D21/531  
D. 369,022 4/1996 Sun ..... D3/276  
D. 408,142 4/1999 Song ..... D3/282  
5,474,483 12/1995 Sun ..... 446/75  
5,674,103 10/1997 Bean ..... 446/75

*Primary Examiner*—Raphael Barkai  
*Attorney, Agent, or Firm*—Donald C. Casey, Esq.

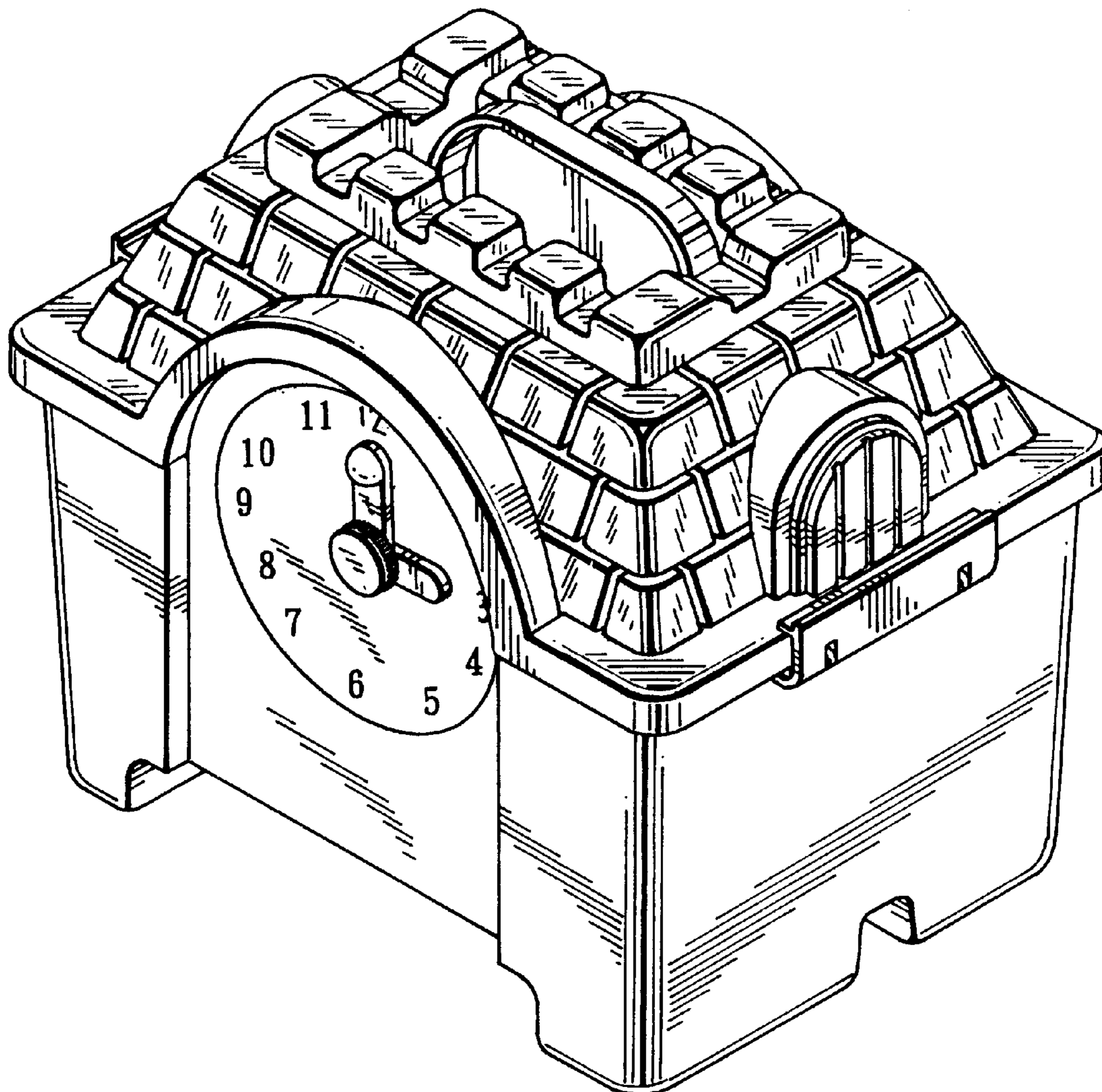
[57] **CLAIM**

The ornamental design for a toy container for storing blocks,  
as shown.

**DESCRIPTION**

FIG. 1 is a front elevational view of a toy container for  
storing blocks showing my new design;  
FIG. 2 is a rear elevational view thereof;  
FIG. 3 is a left side elevational view thereof;  
FIG. 4 is a right side elevational view thereof;  
FIG. 5 is a top plan view thereof;  
FIG. 6 is a bottom plan view thereof; and,  
FIG. 7 is a front, left side and top perspective view thereof.

**1 Claim, 7 Drawing Sheets**



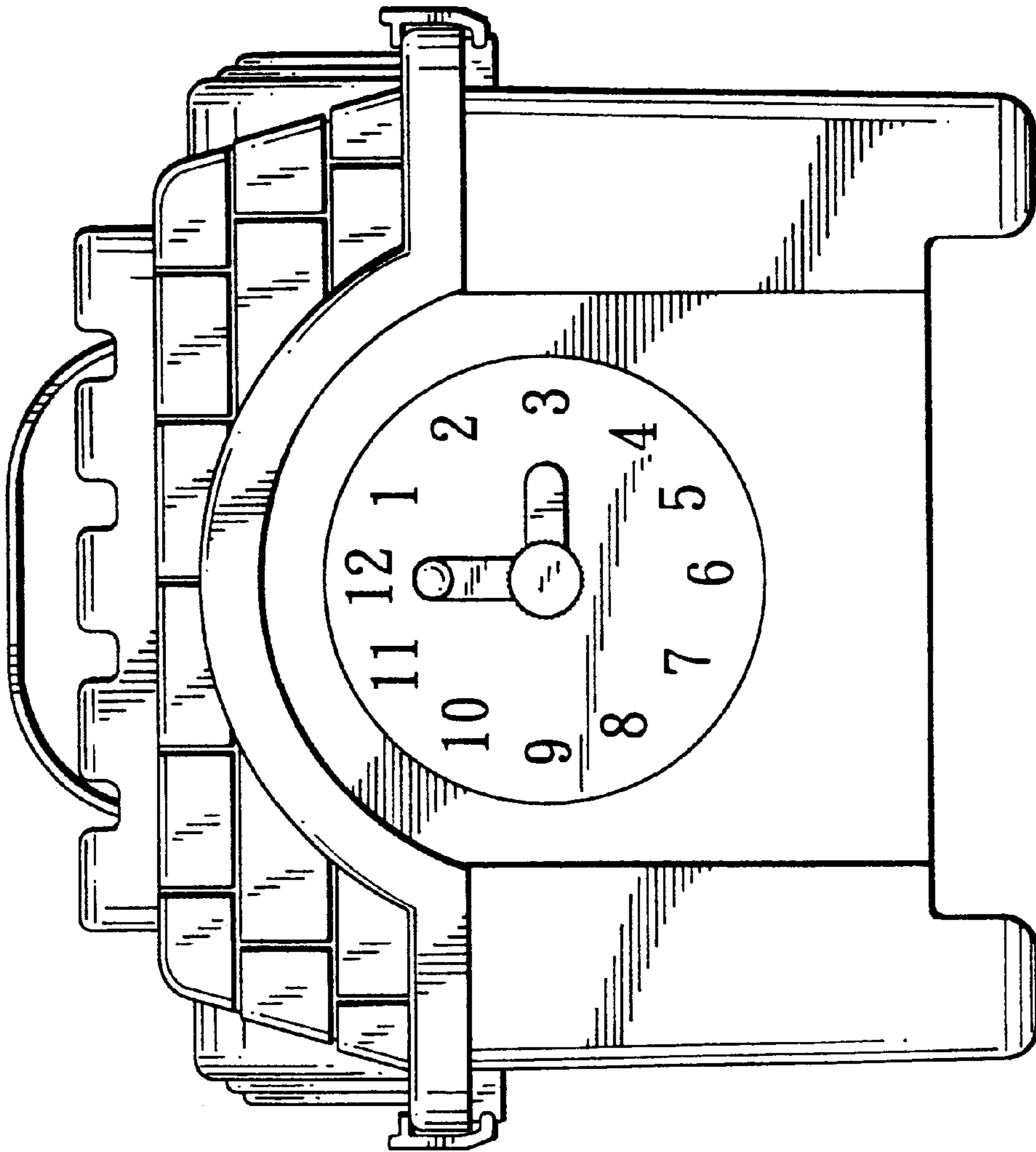


FIG:1

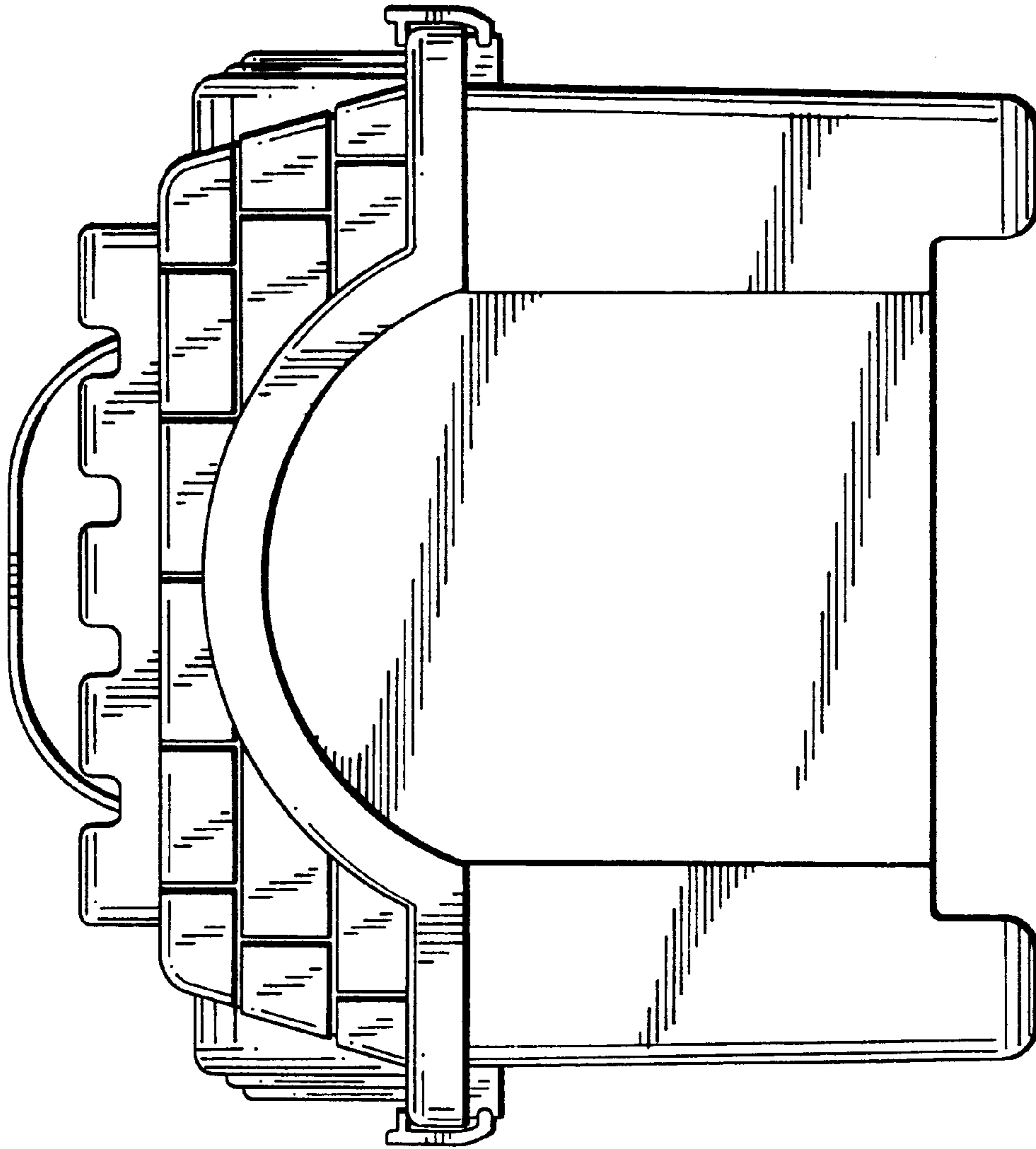


FIG:2

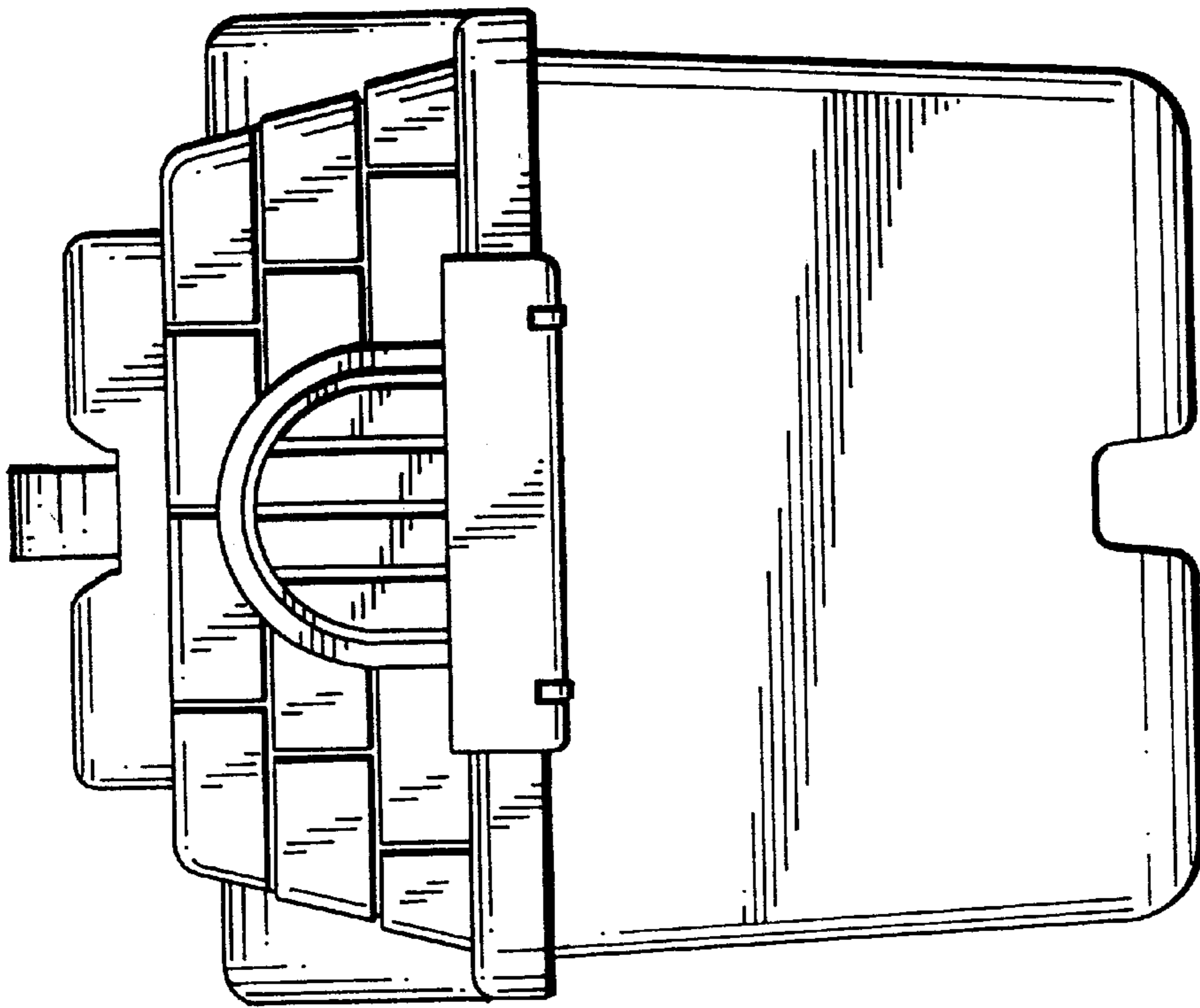


FIG:3

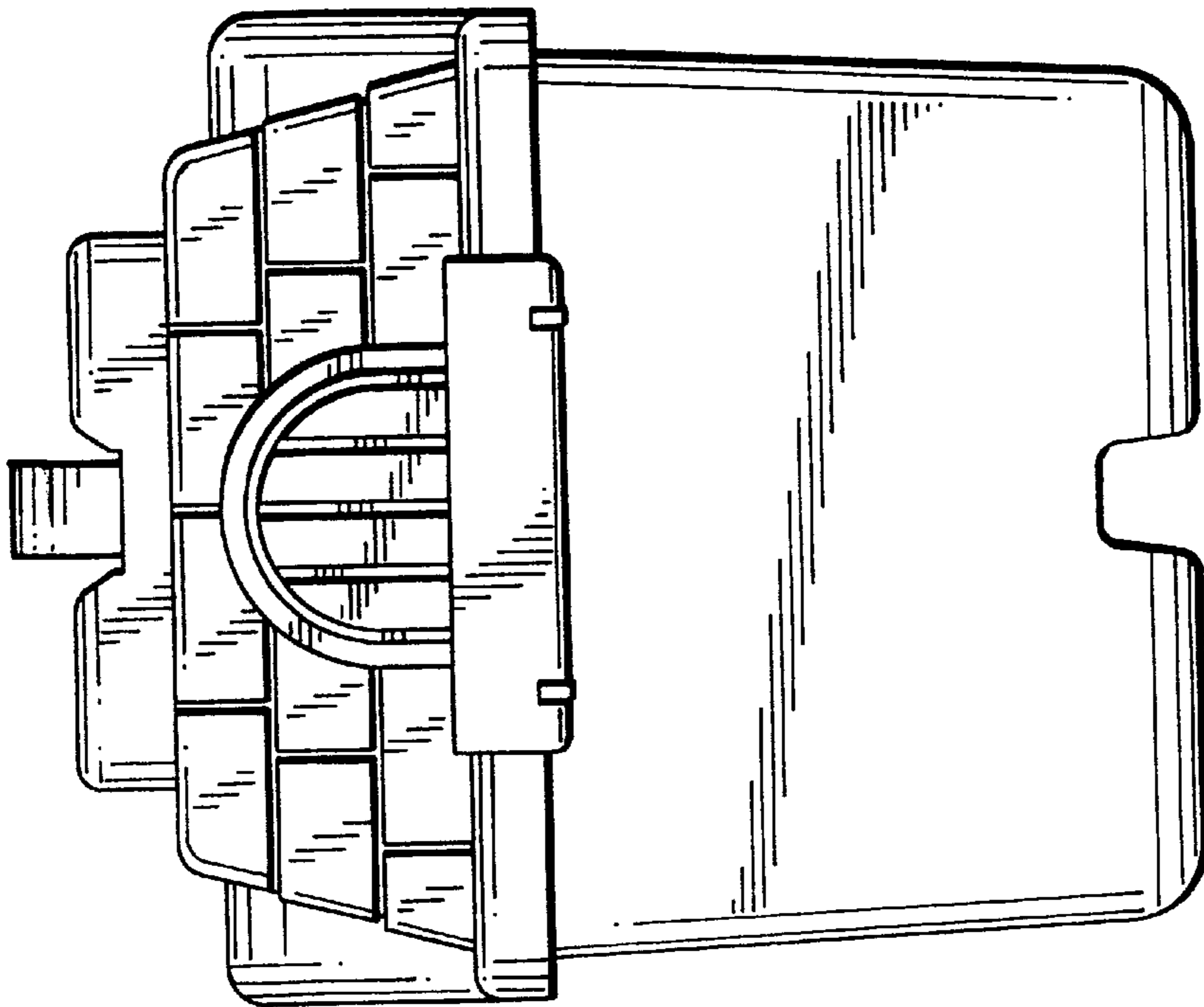


FIG:4



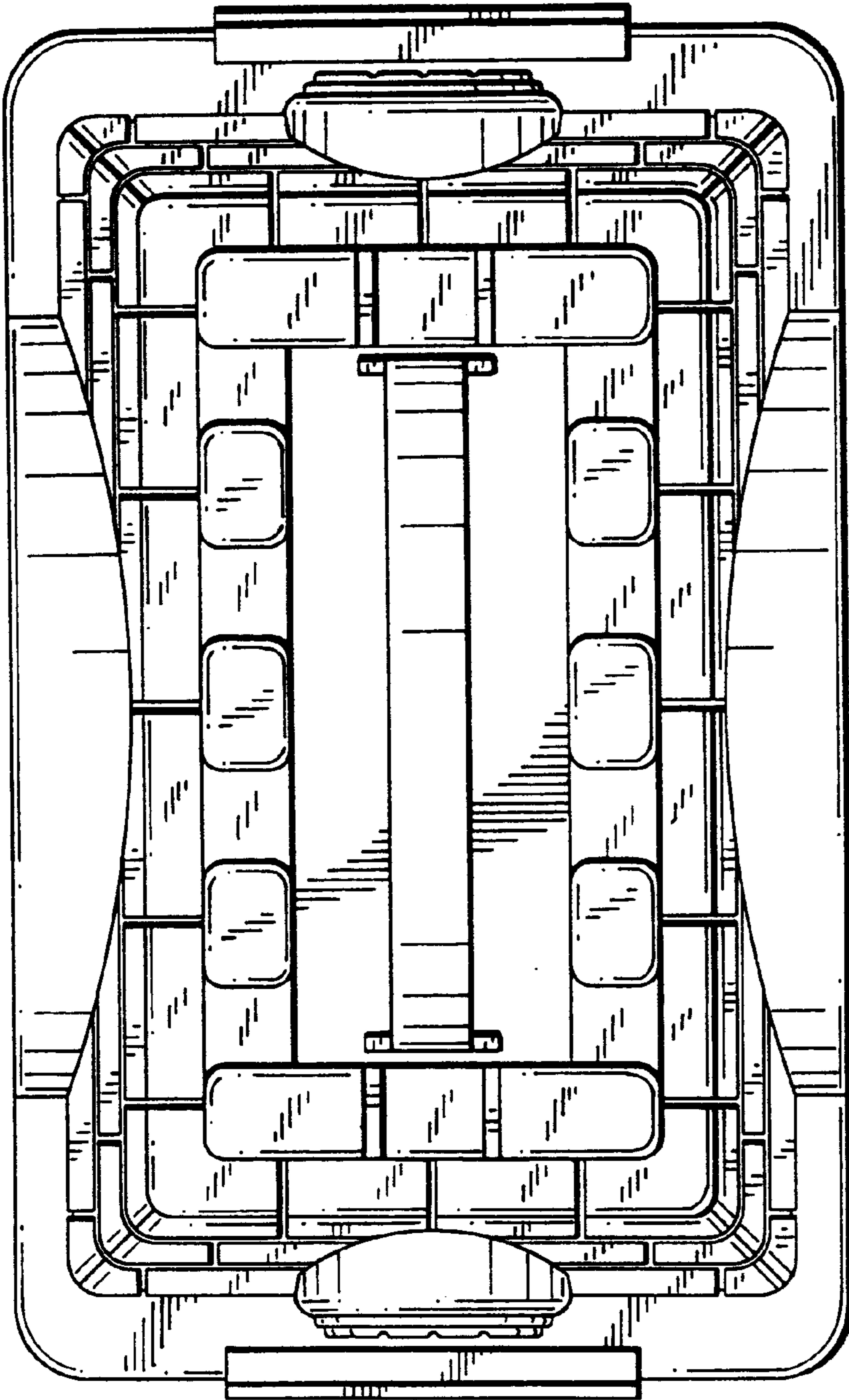


FIG:5

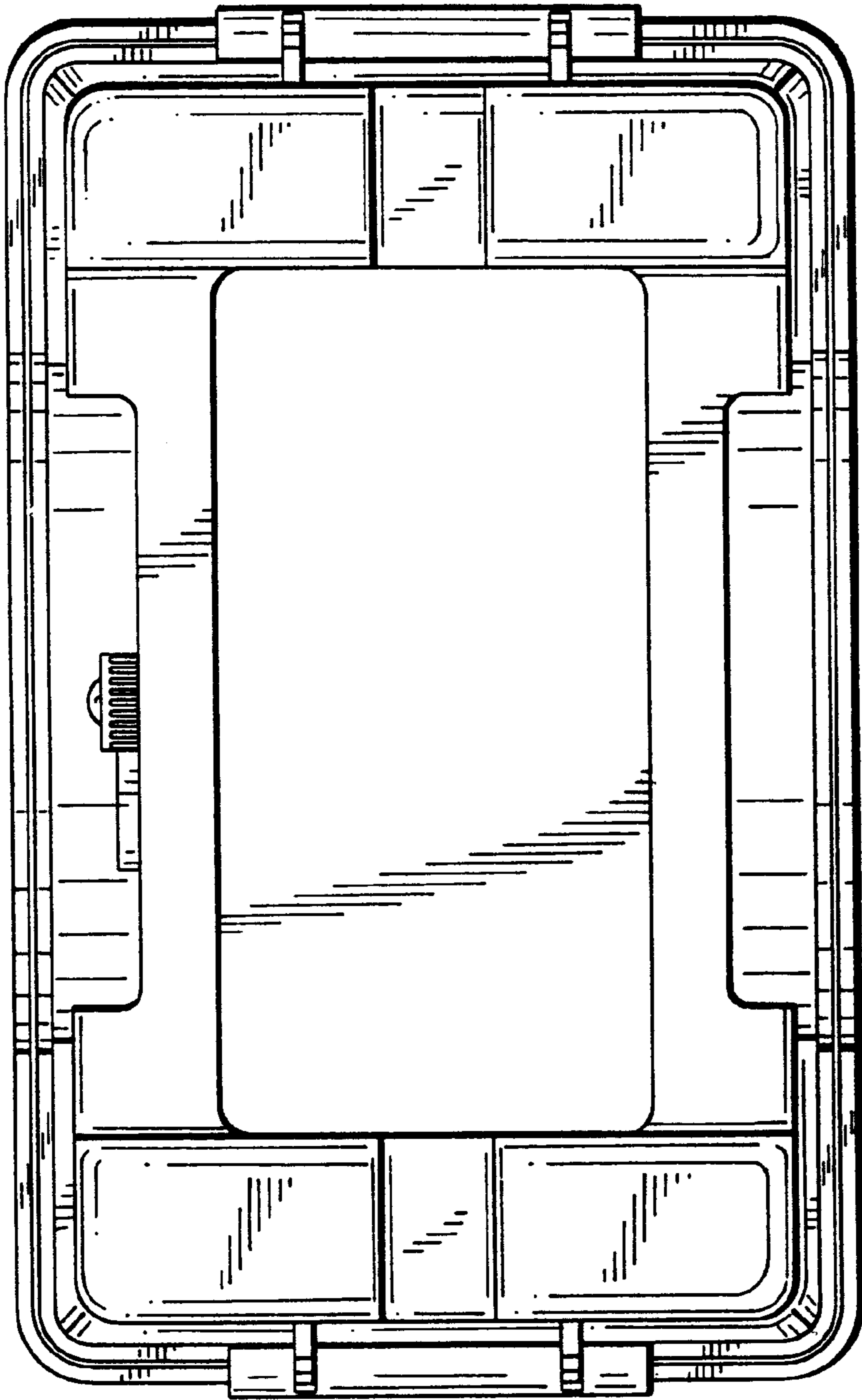


FIG:6

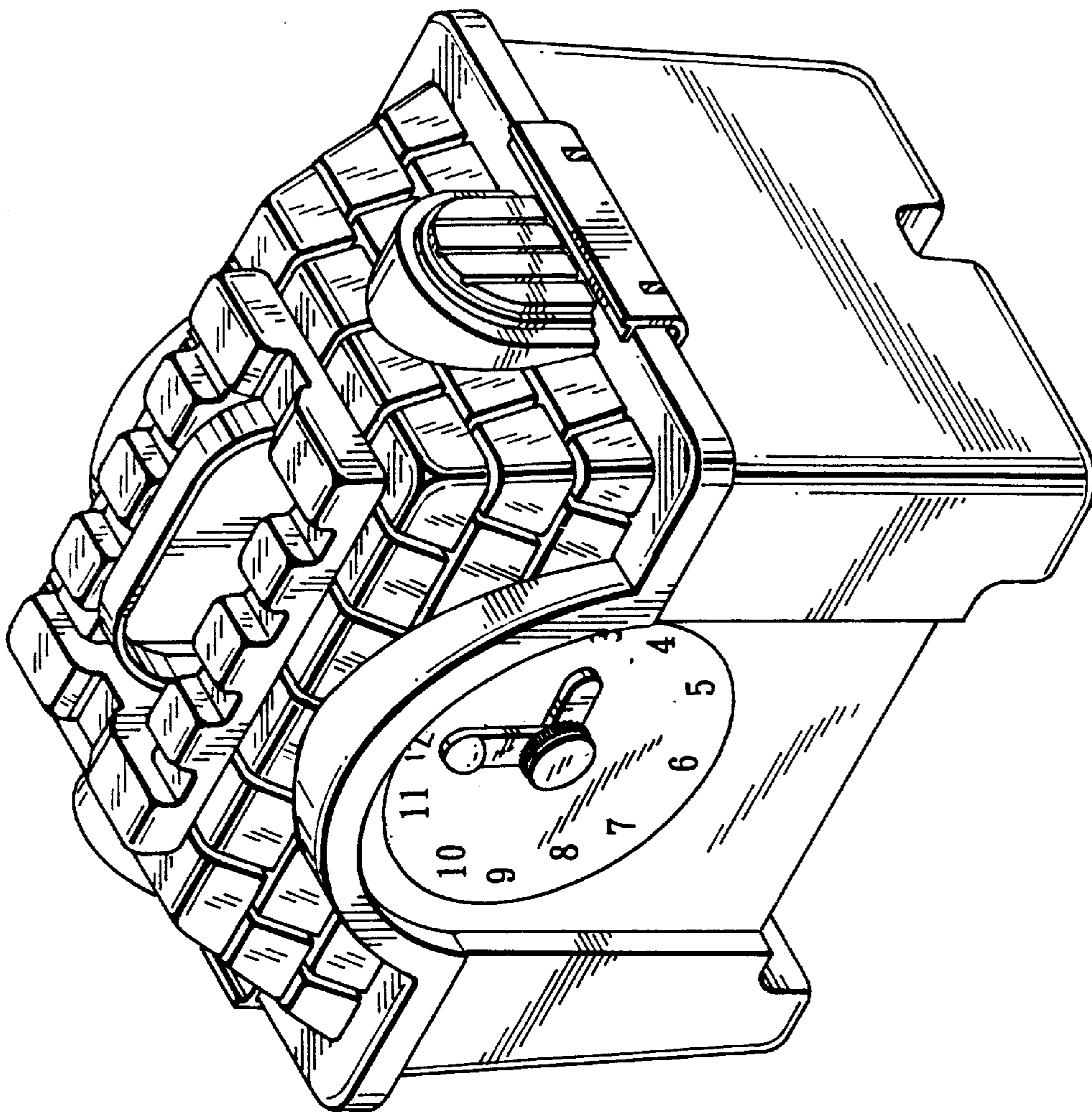


FIG:7