



US00D421174S

**United States Patent** [19]  
**Williams**

[11] **Patent Number: Des. 421,174**

[45] **Date of Patent: \*\* Feb. 29, 2000**

[54] **ORNAMENTAL NOVELTY HAT**

[76] Inventor: **Mark C. Williams**, 4915 N. Kenwood Ave., Indianapolis, Ind. 46208

[\*\*] Term: **14 Years**

[21] Appl. No.: **29/103,109**

[22] Filed: **Apr. 8, 1999**

[51] **LOC (6) Cl. .... 02-03**

[52] **U.S. Cl. .... D2/869**

[58] **Field of Search** ..... D2/865, 868, 869; 2/171, 181, 195.1, 209.11, 209.13; D21/561, 562, 549; D15/1, 3, 5, 6; 123/179.9

[56] **References Cited**

**U.S. PATENT DOCUMENTS**

D. 224,169	7/1972	Rudd	.....	D15/1
D. 372,571	8/1996	Venditto, Jr.	.....	D2/869
D. 399,990	10/1998	Parson et al.	.....	D2/869
D. 406,437	3/1999	Tulleners	.....	D2/869
D. 407,536	4/1999	Segal	.....	D2/869
1,249,224	12/1917	Smith	.....	123/179.9

*Primary Examiner*—Paula A. Mortimer  
*Attorney, Agent, or Firm*—Locke Reynolds LLP

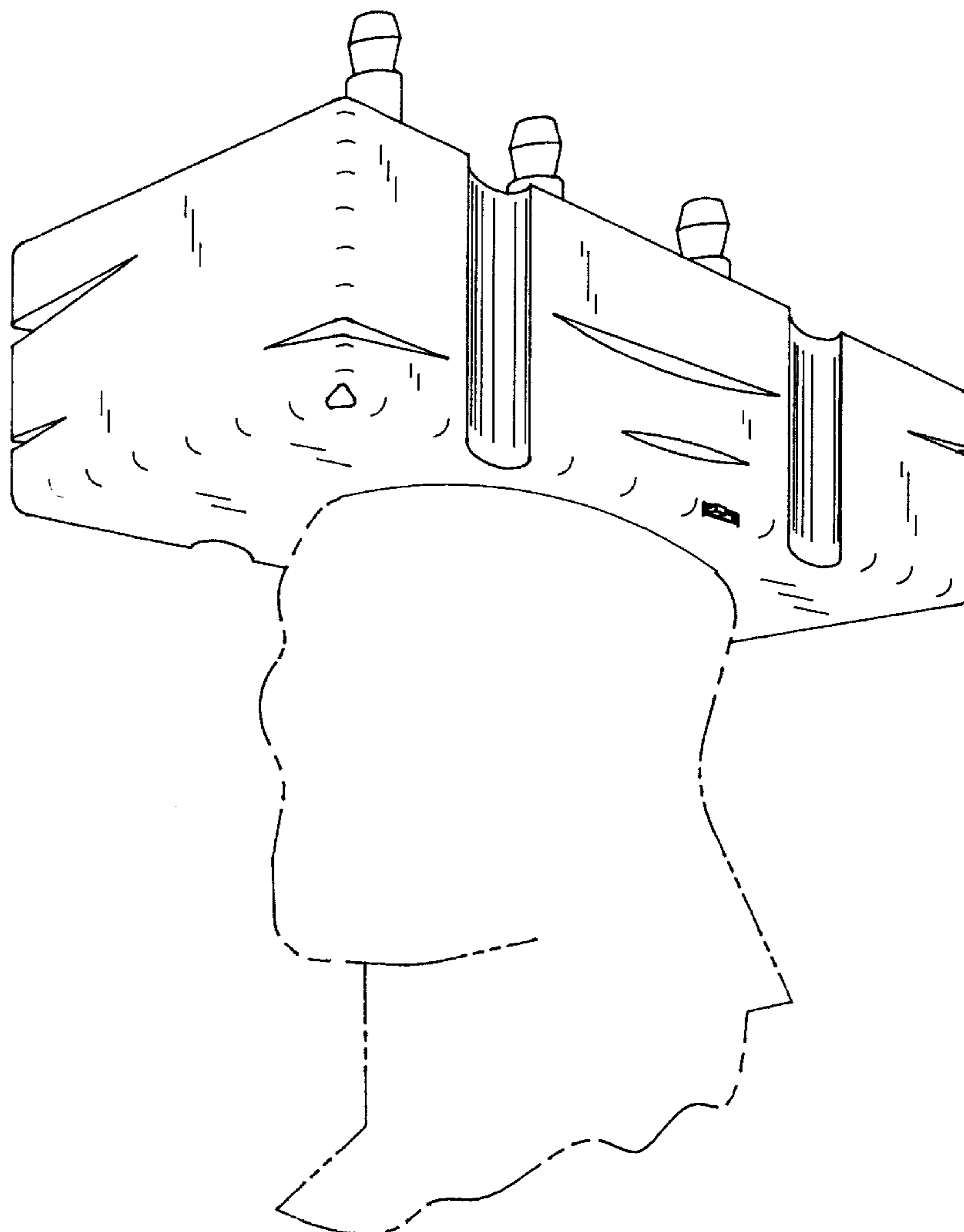
[57] **CLAIM**

The ornamental design for an ornamental novelty hat, as shown and described.

**DESCRIPTION**

FIG. 1 is an oblique view of an ornamental novelty hat showing my new design;  
FIG. 2 is a front view of the ornamental novelty hat shown in FIG. 1, the opposite side being substantially identical;  
FIG. 3 is a side view of the ornamental novelty shown in FIG. 1, the opposite side being substantially identical;  
FIG. 4 is top view of the ornamental novelty hat shown in FIG. 1;  
FIG. 5 is a bottom plan view of the ornamental novelty hat shown in FIG. 1; and,  
FIG. 6 is a bottom view of the ornamental novelty hat of FIG. 1, the broken line showing of the human form is for illustrative purposes only and forms no part of the claimed design.

**1 Claim, 6 Drawing Sheets**



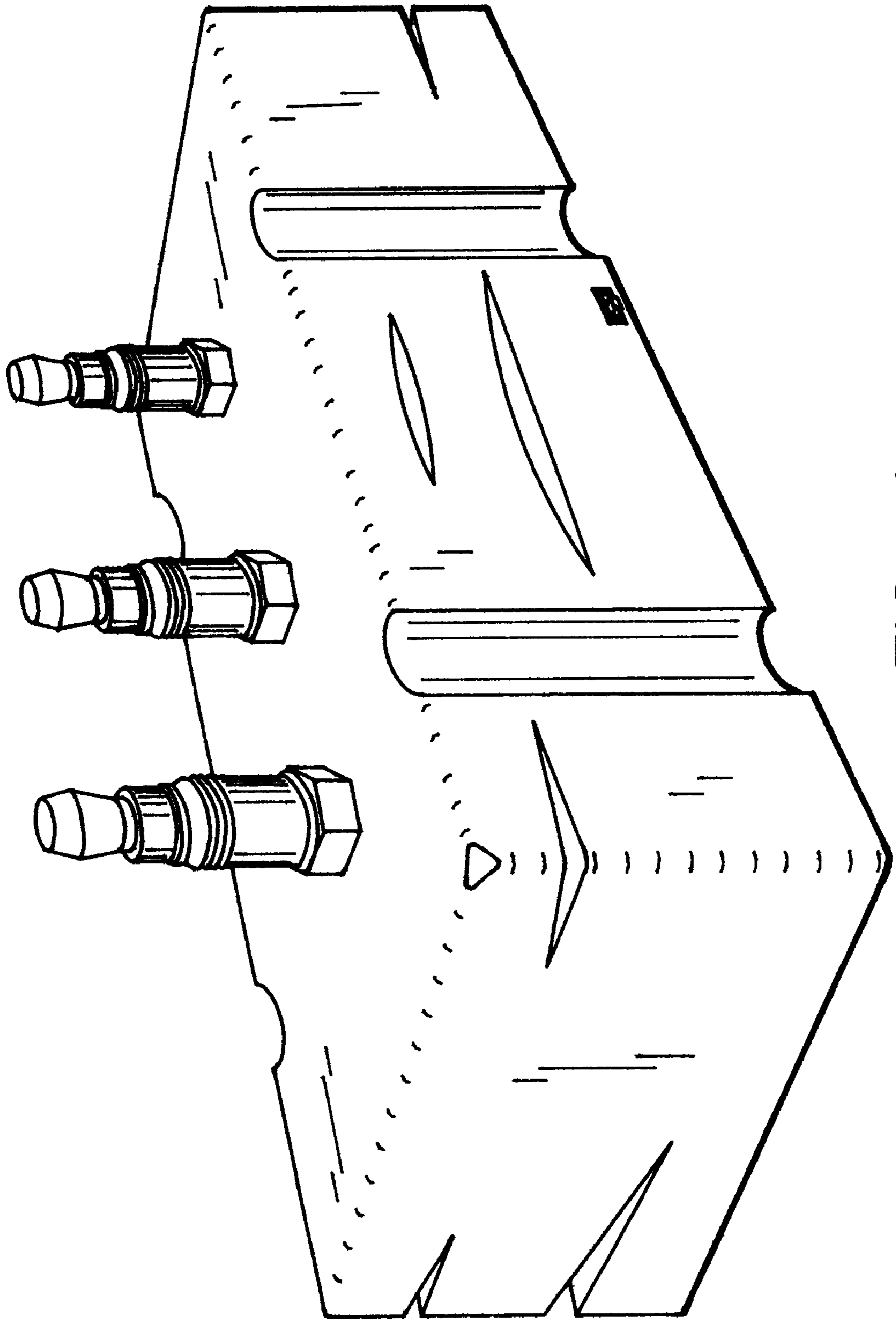


FIG. 1

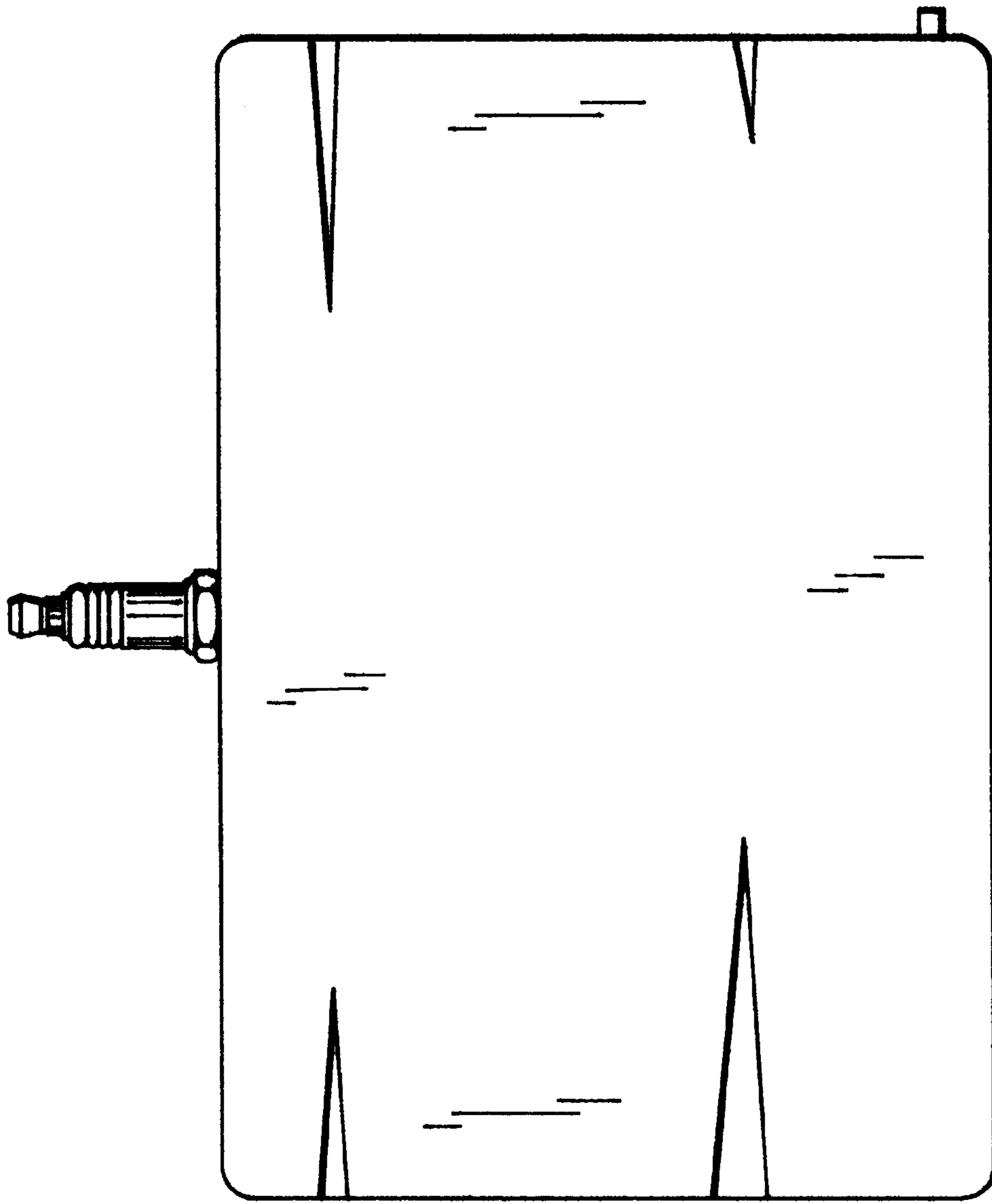


FIG. 2

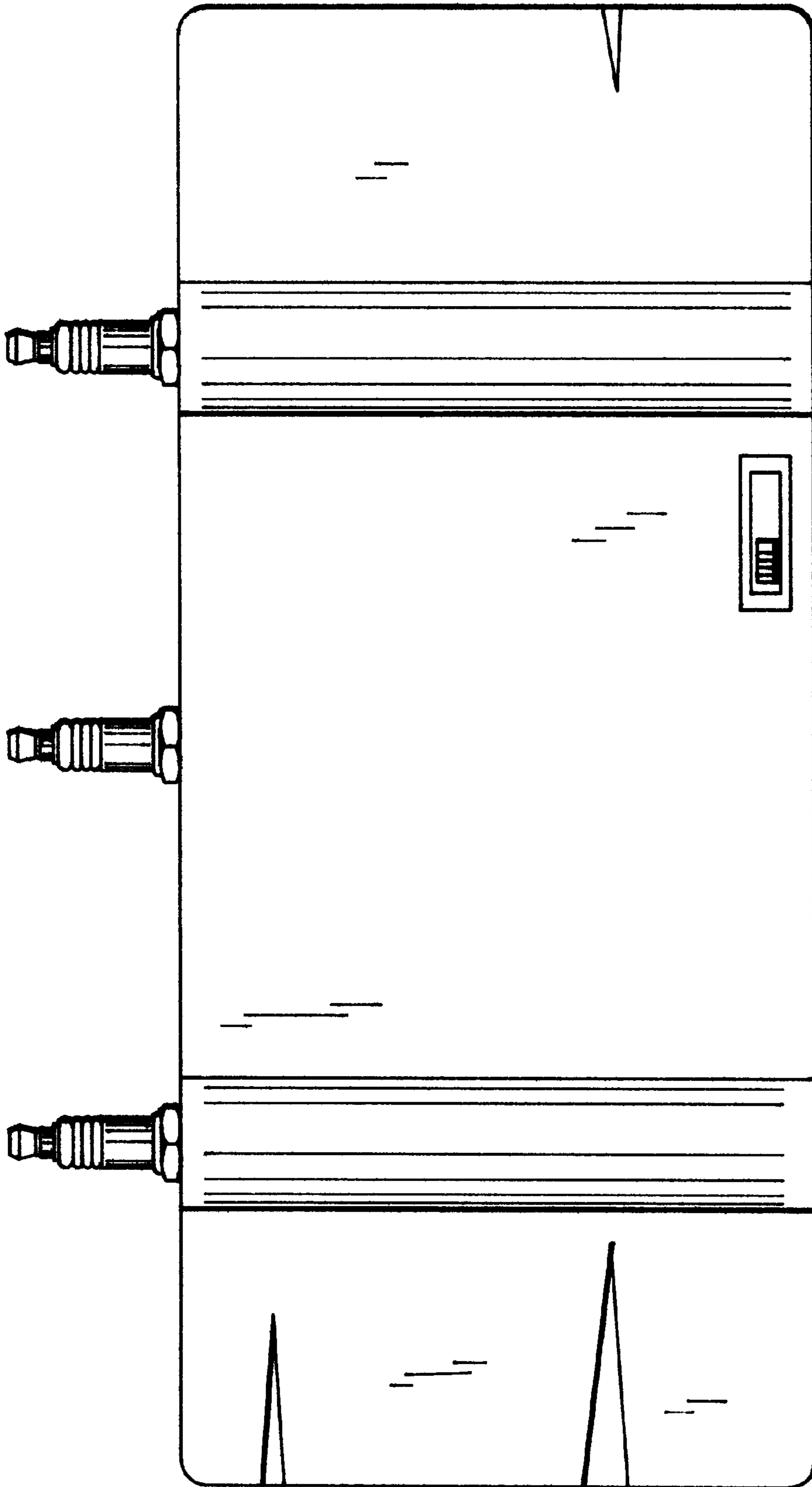


FIG. 3

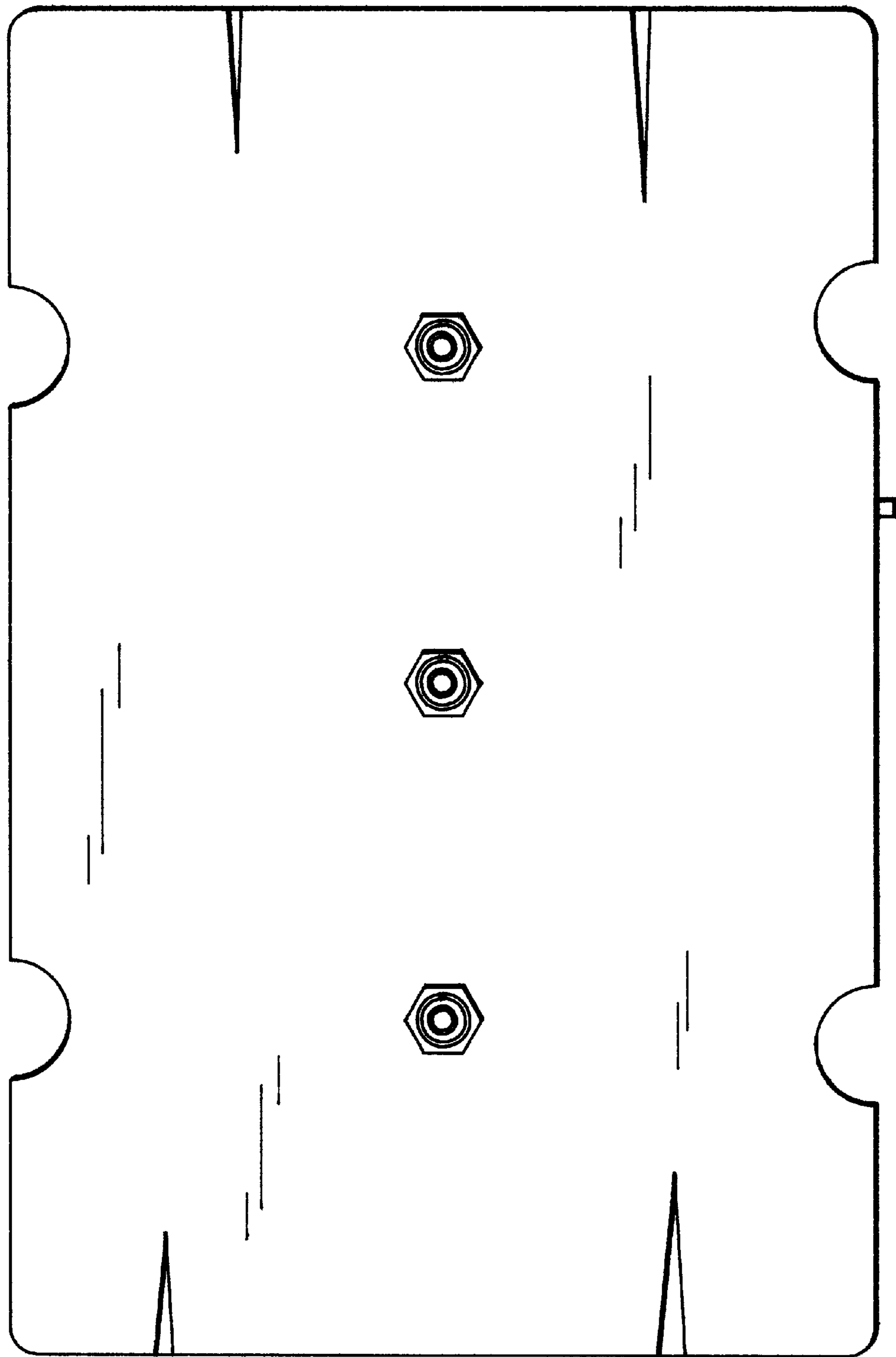


FIG. 4

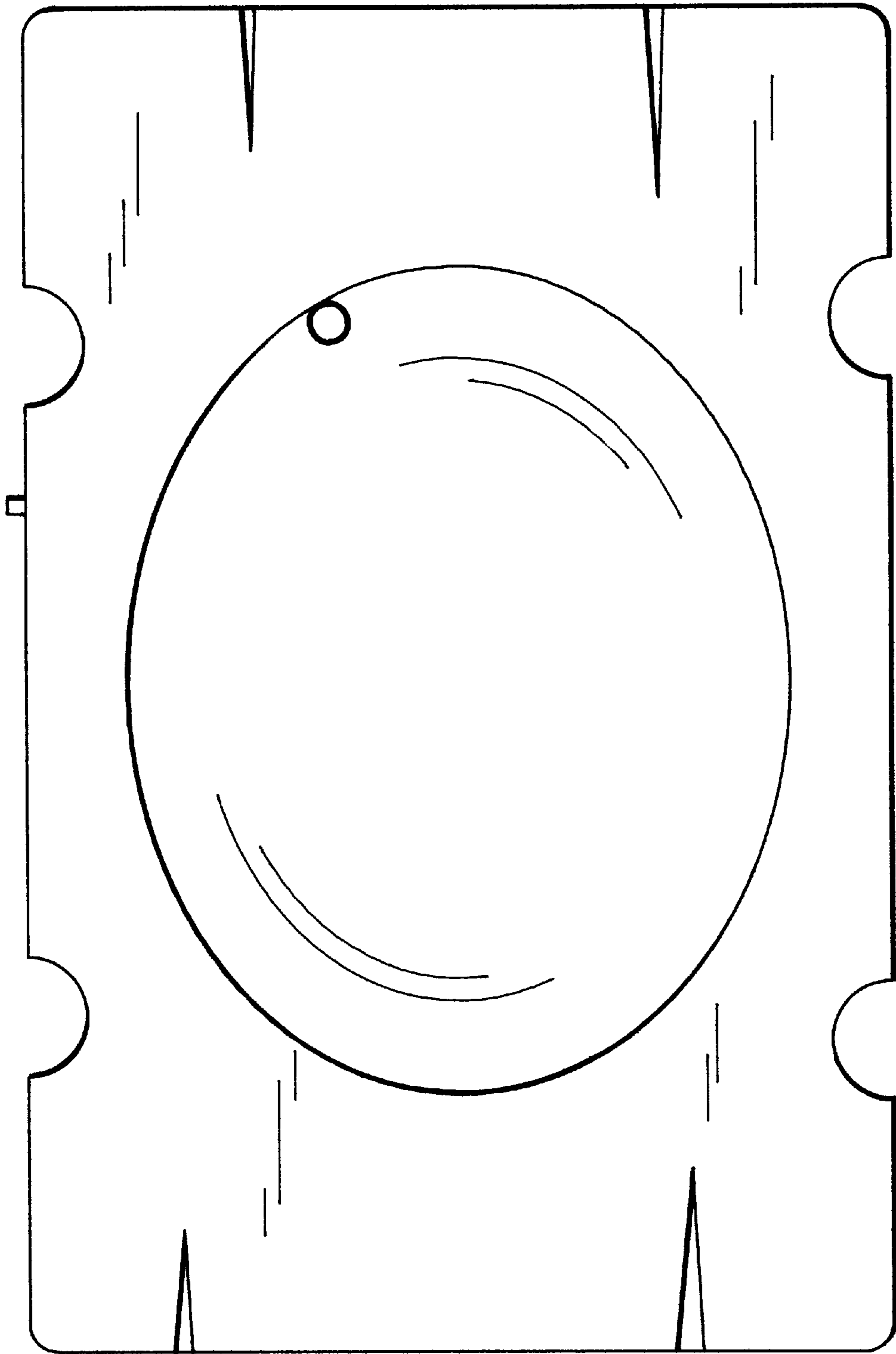


FIG. 5

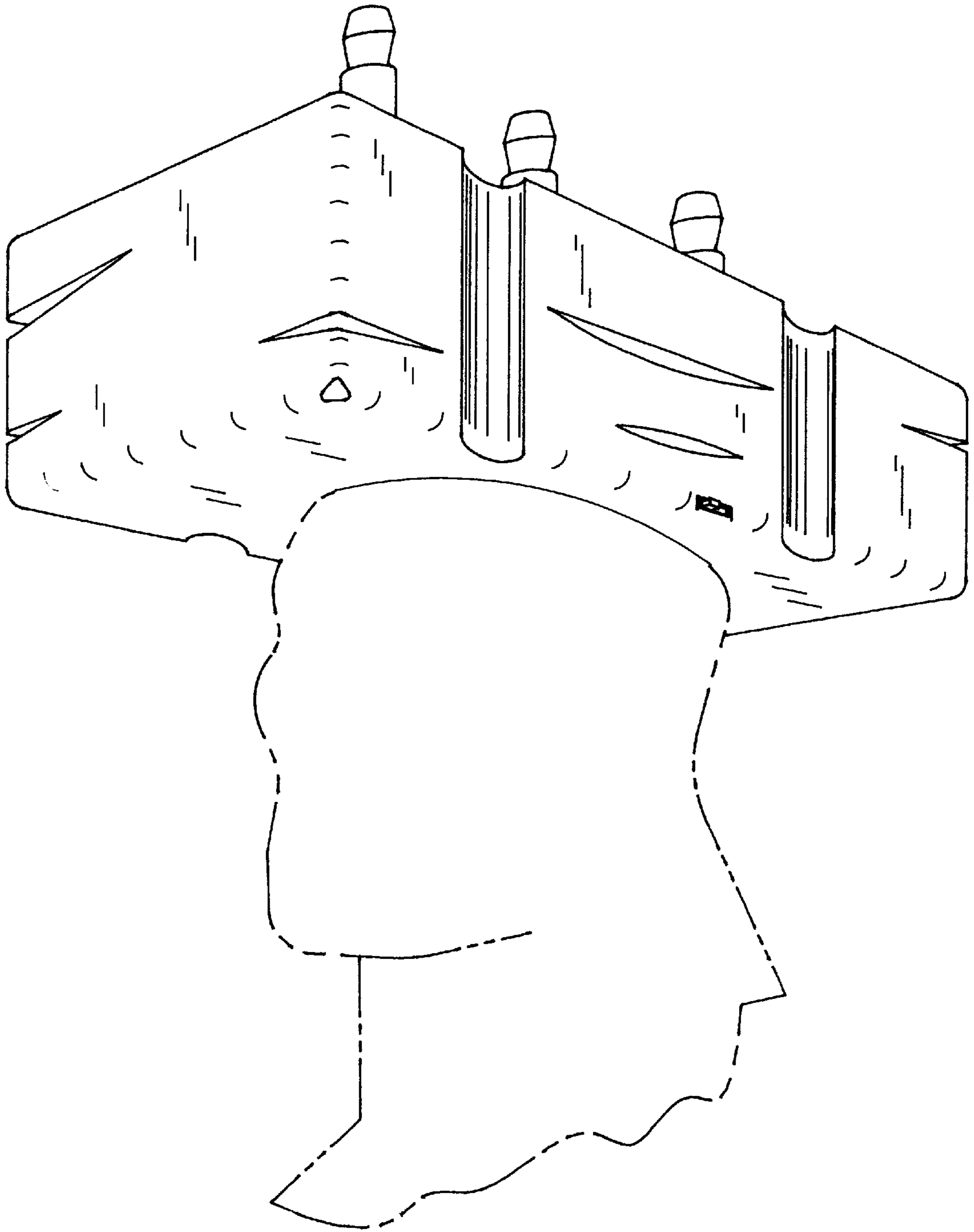


FIG. 6