



US00D421172S

United States Patent [19]

[11] Patent Number: **Des. 421,172**

Mizutani et al.

[45] Date of Patent: **** Feb. 22, 2000**

[54] **HOIST BODY OF LEVER TYPE**

[75] Inventors: **Toshimasa Mizutani; Yosio Ueno**, both of **Osakasayama, Japan**

[73] Assignee: **Elephant Chain Block Company Limited**, Osaka, Japan

[**] Term: **14 Years**

D. 377,555	1/1997	Ueno	D34/33
D. 407,175	3/1999	Nishimura	D34/33
1,591,362	7/1926	Coffing	254/372
2,351,665	6/1944	Coffing	254/372
3,139,268	6/1964	Carroll	254/384
3,163,399	12/1964	Skerry	254/372
3,258,248	6/1966	Lerch et al.	254/384
3,985,342	10/1976	Denman	254/335
5,007,617	4/1991	Nishimura et al.	254/372

[21] Appl. No.: **29/097,422**

[22] Filed: **Dec. 8, 1998**

Primary Examiner—Susan J. Lucas
Assistant Examiner—Cynthia E. Ramirez

[51] **LOC (7) Cl.** **12-05**

[52] **U.S. Cl.** **D34/33; D34/35**

[58] **Field of Search** **D34/35, 32, 28, D34/33; 254/335, 380, 382, 384, 372; 294/82.11, 82.1**

[57] **CLAIM**

The ornamental design for a hoist body of lever type, as shown and described.

[56] **References Cited**

U.S. PATENT DOCUMENTS

D. 220,772 5/1971 Hawkins et al. D34/33

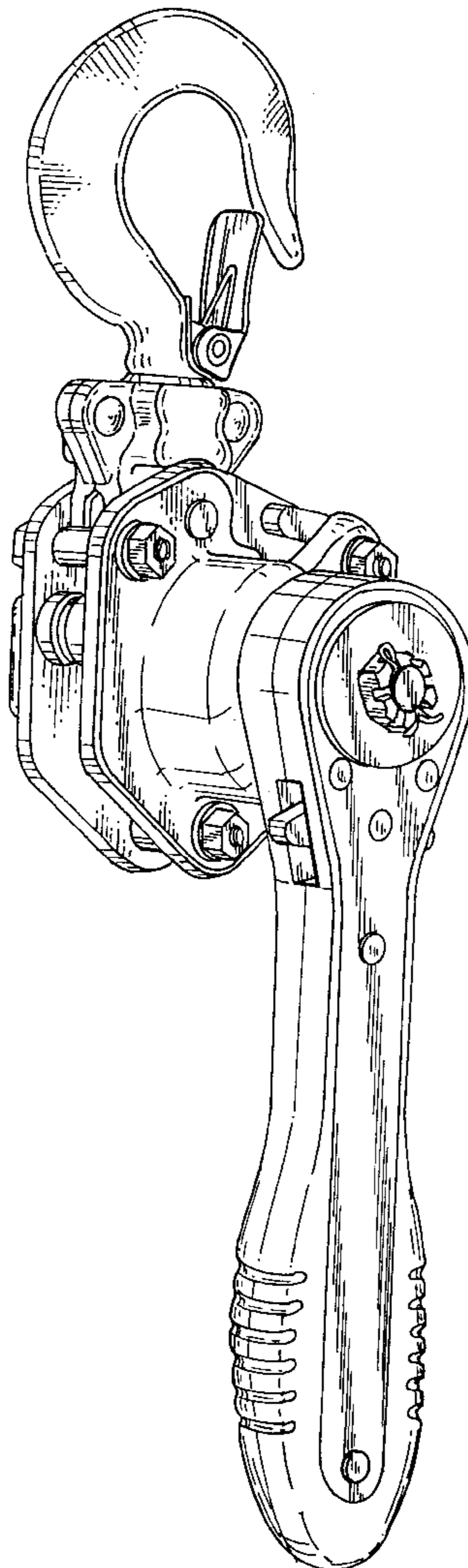
D. 307,659 5/1990 Kobayashi et al. D34/33

D. 347,508 5/1994 Kubota et al. D34/35

DESCRIPTION

FIG. 1 is a front right side perspective view of a hoist body of lever type showing our new design; FIG. 2 is a rear elevational view thereof; FIG. 3 is a right side elevational view thereof; and, FIG. 4 is a left side elevational view thereof.

1 Claim, 4 Drawing Sheets



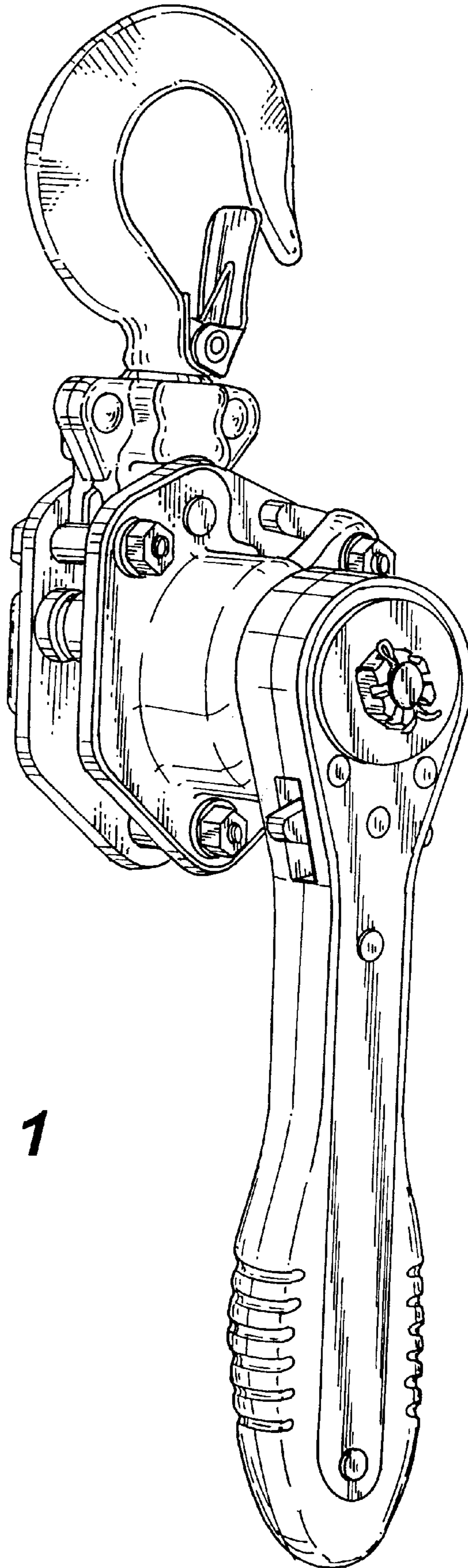


FIG. 1

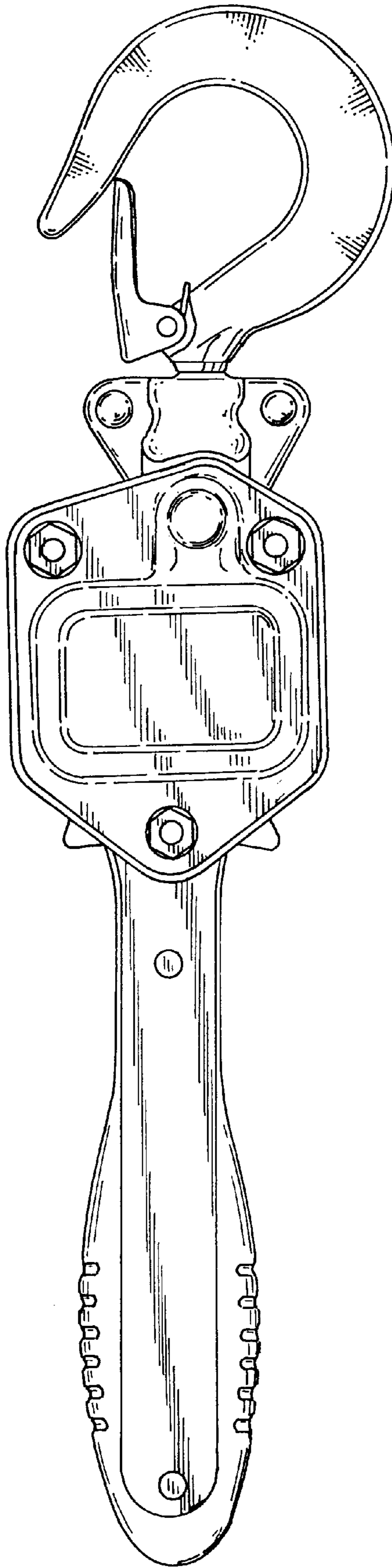


FIG. 2

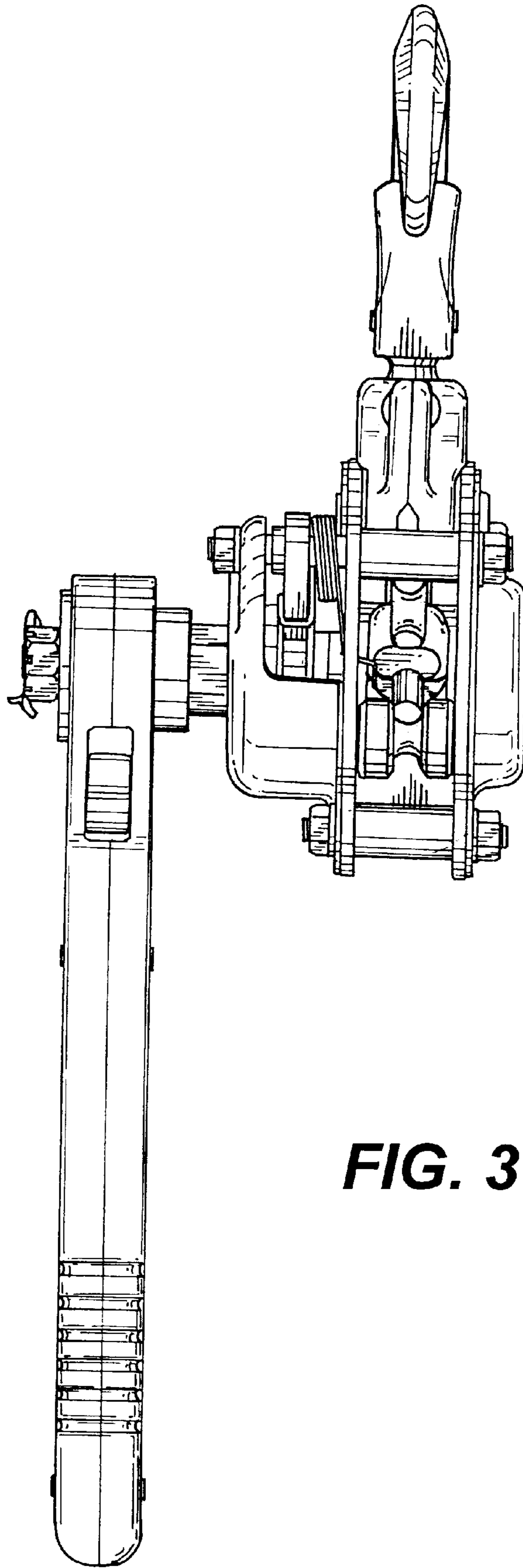


FIG. 3

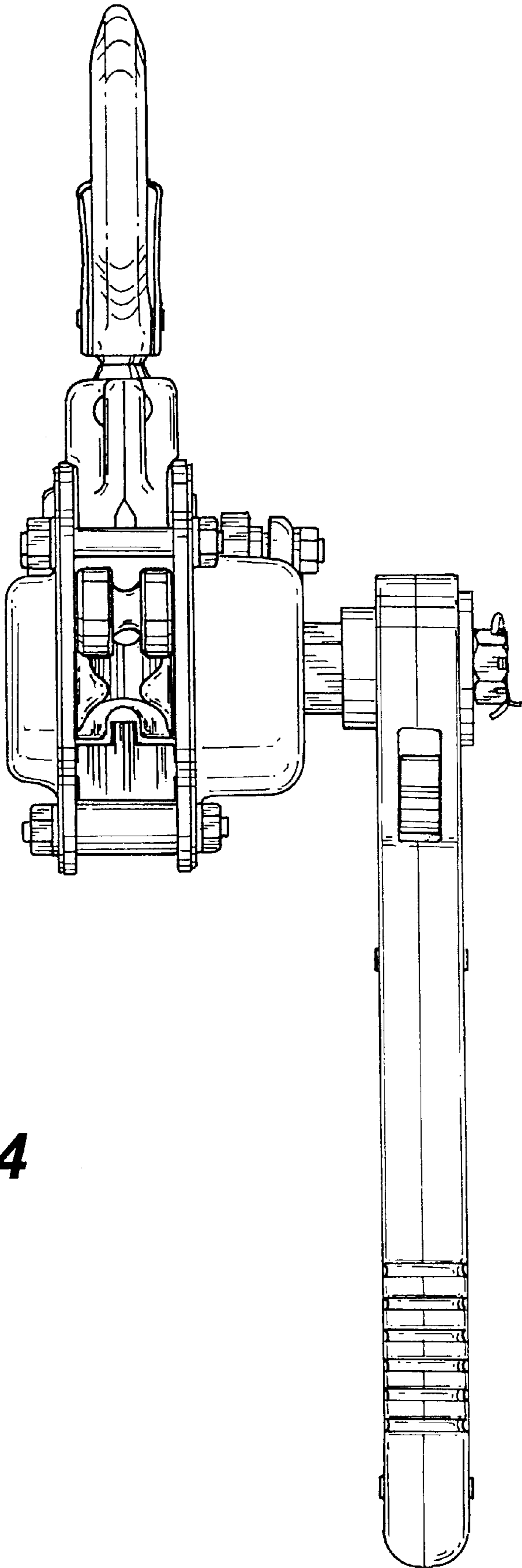


FIG. 4