



US00D421171S

United States Patent [19]
Hampshire

[11] **Patent Number: Des. 421,171**

[45] **Date of Patent: ** Feb. 22, 2000**

[54] **WALL MOUNT FOR TRASH BAG**

[75] Inventor: **James F. Hampshire**, Twinsburg, Ohio

[73] Assignee: **HCL Limited**, Twinsburg, Ohio

[**] Term: **14 Years**

[21] Appl. No.: **29/097,692**

[22] Filed: **Dec. 11, 1998**

[51] **LOC (7) Cl.** **09-09**

[52] **U.S. Cl.** **D34/6**

[58] **Field of Search** D34/1, 6, 7, 8,
D34/10; 220/908, 910, 909, 911; 248/95,
97, 100, 101

[56] **References Cited**

U.S. PATENT DOCUMENTS

- D. 246,822 1/1978 Stoufer D34/6
- D. 277,707 2/1985 Rico D34/6
- D. 279,616 7/1985 Deacon D34/6
- D. 286,217 10/1986 Waun et al. D34/6
- D. 352,582 11/1994 Hachenberg D34/6
- D. 360,511 7/1995 Kurtzman et al. D34/6

- D. 389,633 1/1998 Ziegler D34/6
- D. 394,933 6/1998 Studer D34/6
- 4,223,858 9/1980 De Salazar 248/101

Primary Examiner—Susan J. Lucas
Assistant Examiner—Cynthia E Ramirez
Attorney, Agent, or Firm—Oldham & Oldham Co., L.P.A.

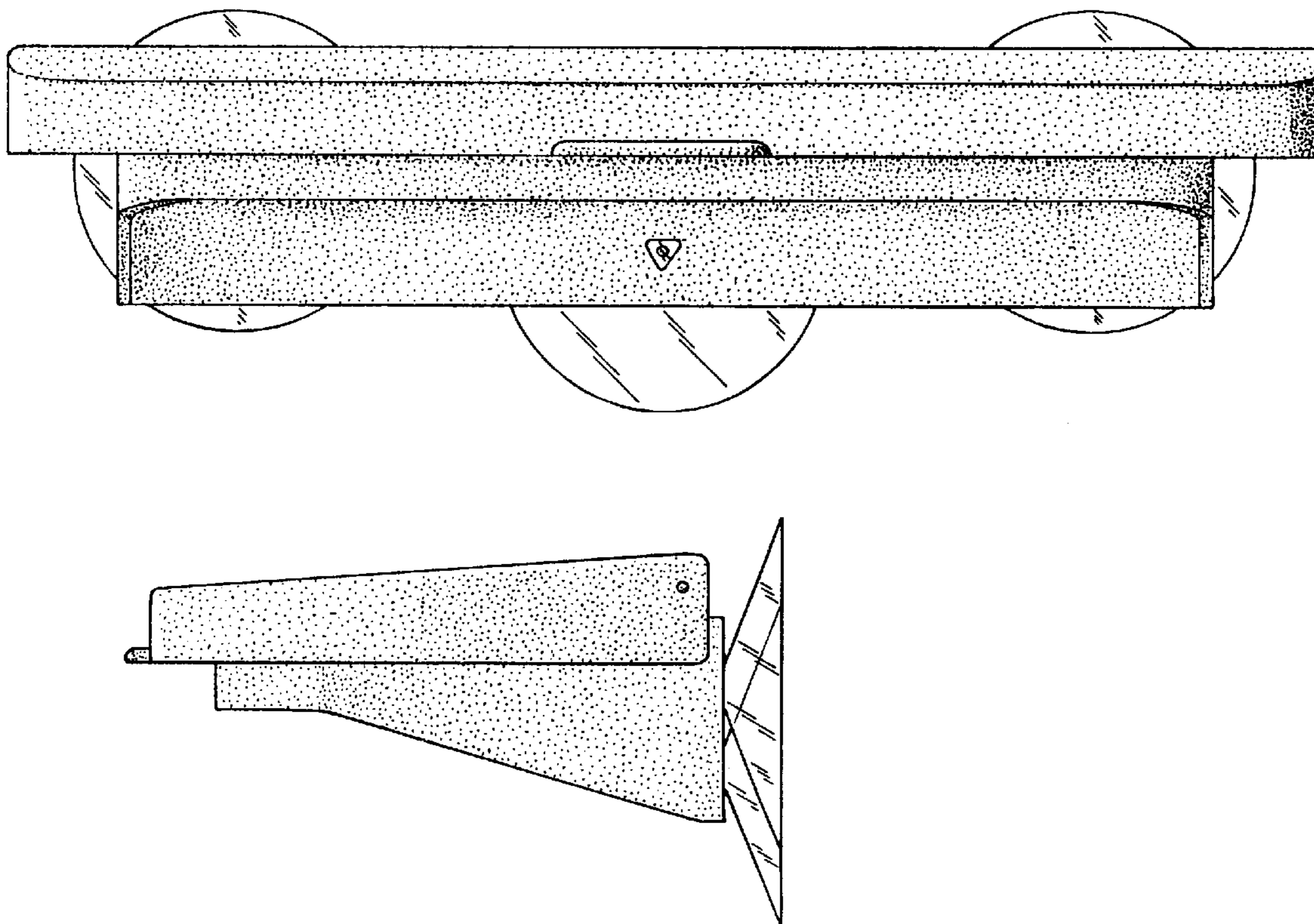
[57] **CLAIM**

The ornamental design for the “wall mount for trash bag,” as shown and described.

DESCRIPTION

FIG. 1 is a top view of a new design for a wall mount for trash bag, a lid of the wall mount being in a closed position; FIG. 2 is a front elevational view, with the lid in the closed position of FIG. 1; FIG. 3 is a right side elevational view with reference to FIG. 1, the opposite side view being a mirror image thereof; FIG. 4 is a bottom view; FIG. 5 is a rear elevational view; FIG. 6 is a top view showing the lid in an open position; and, FIG. 7 is a front elevational view with the lid in the open position of FIG. 6.

1 Claim, 3 Drawing Sheets



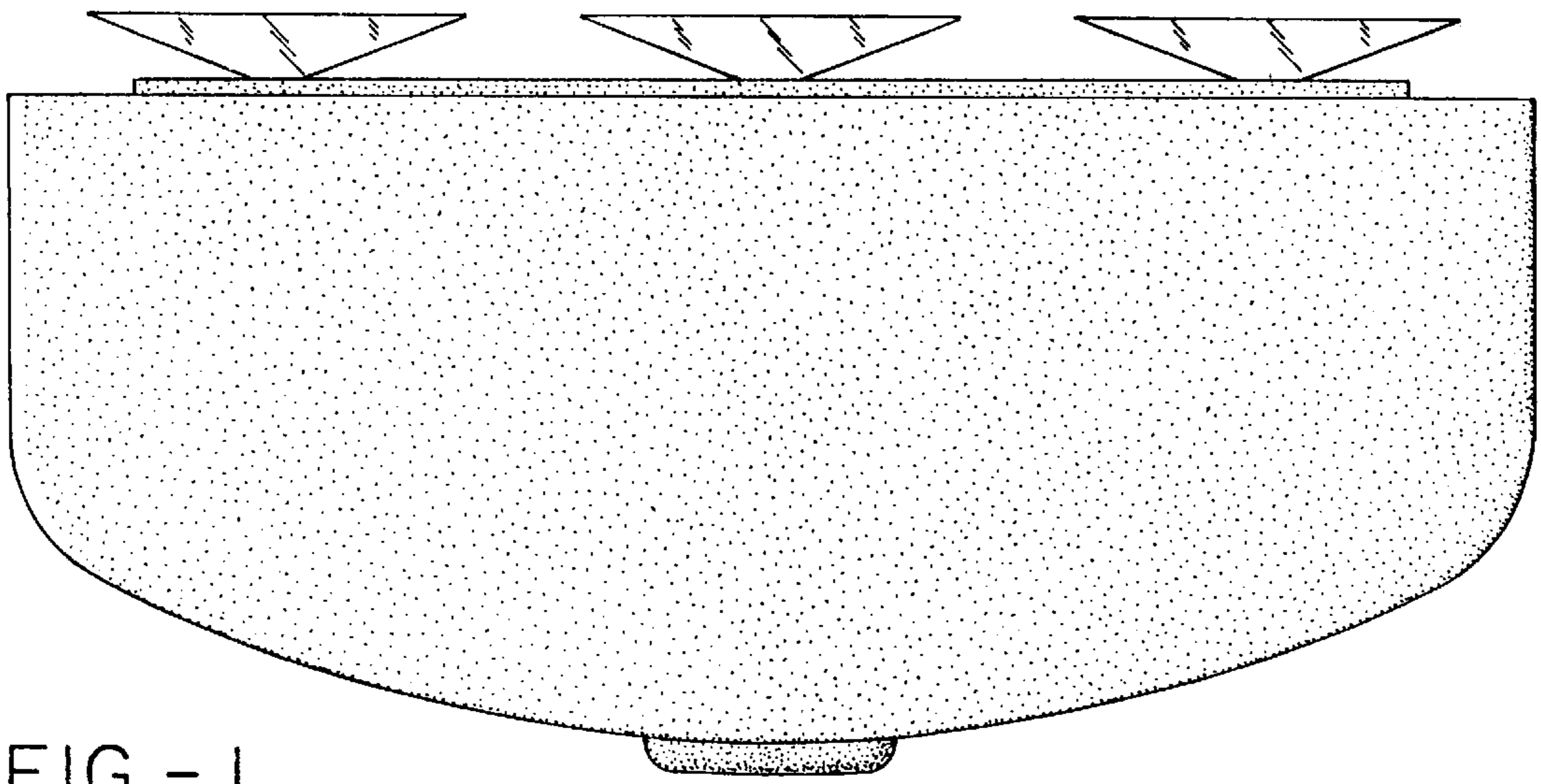


FIG. - 1

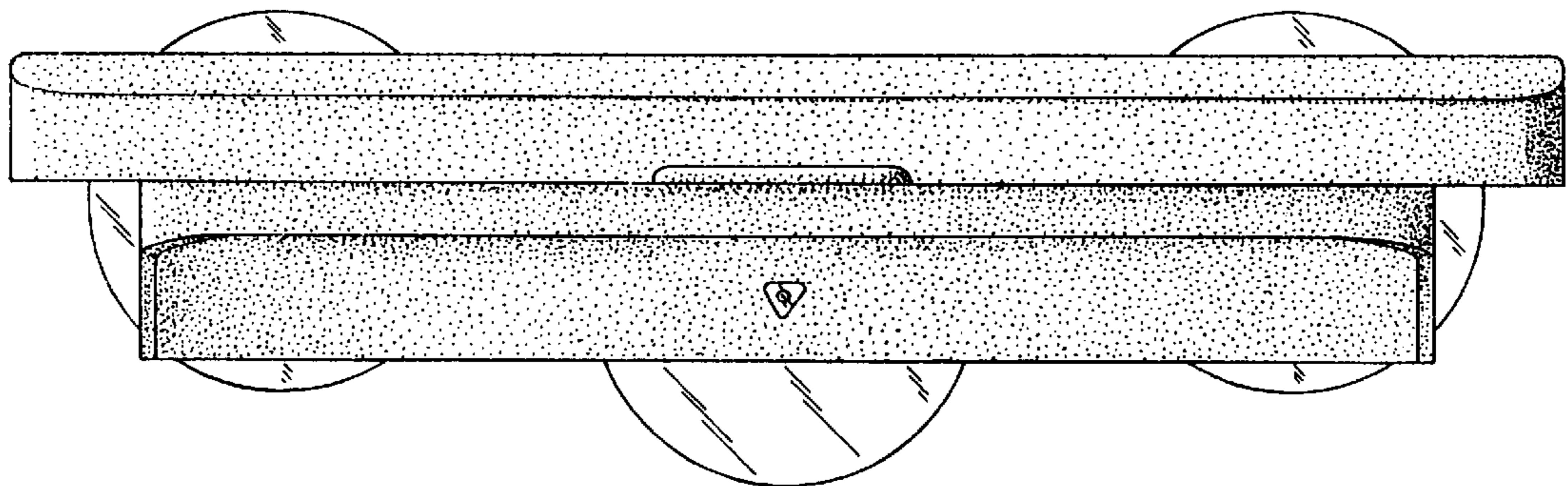


FIG. - 2

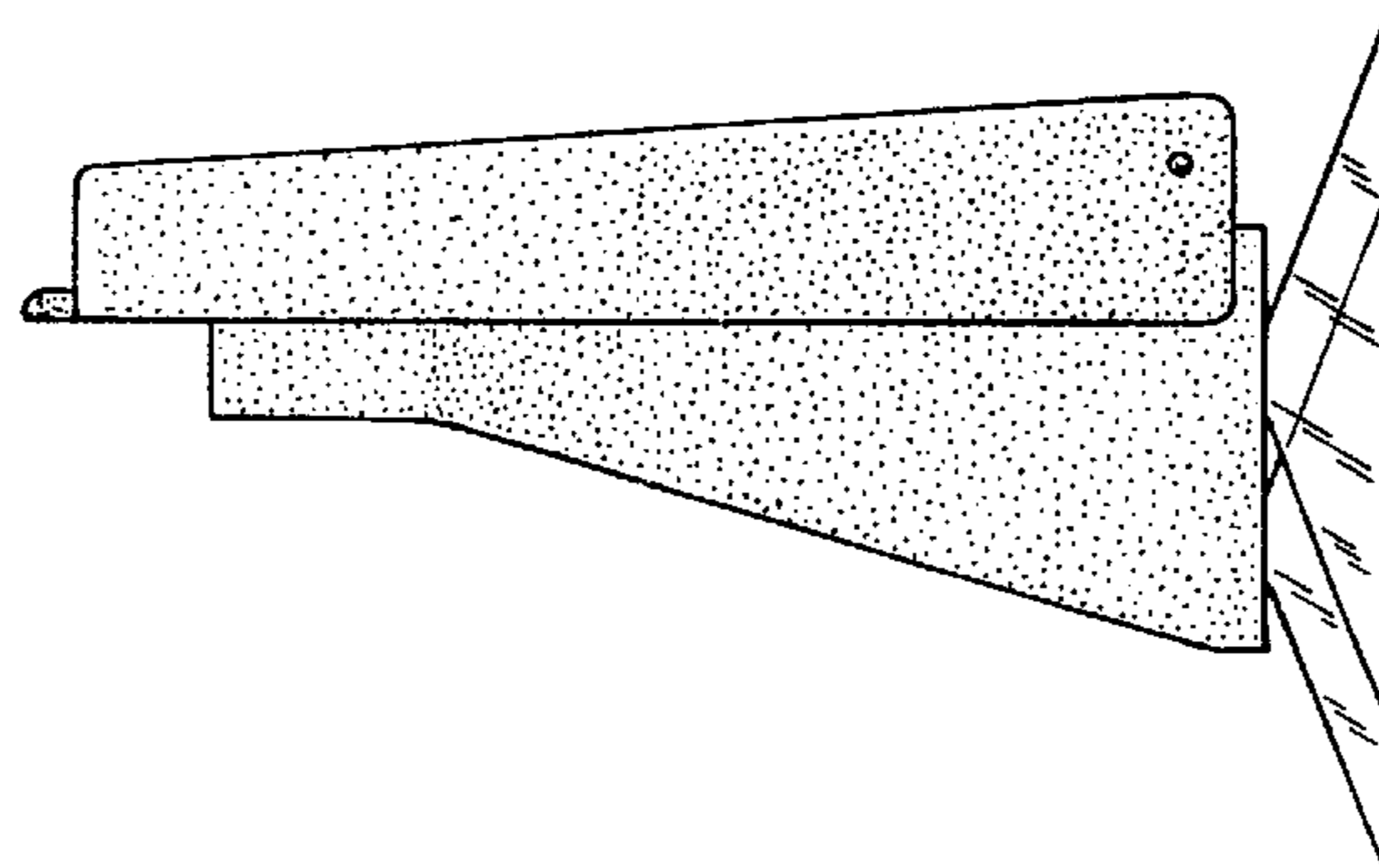


FIG. - 3

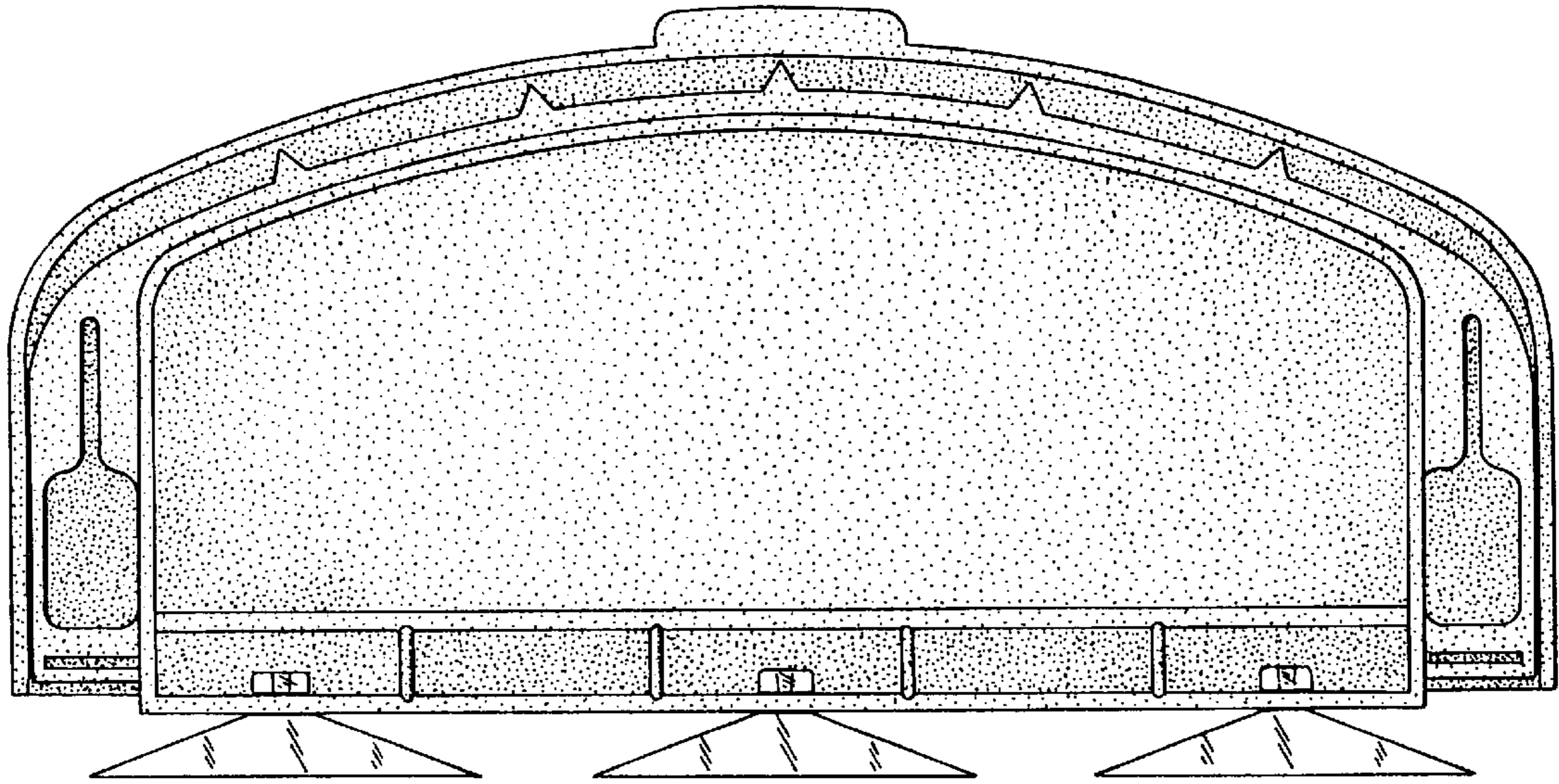


FIG. - 4

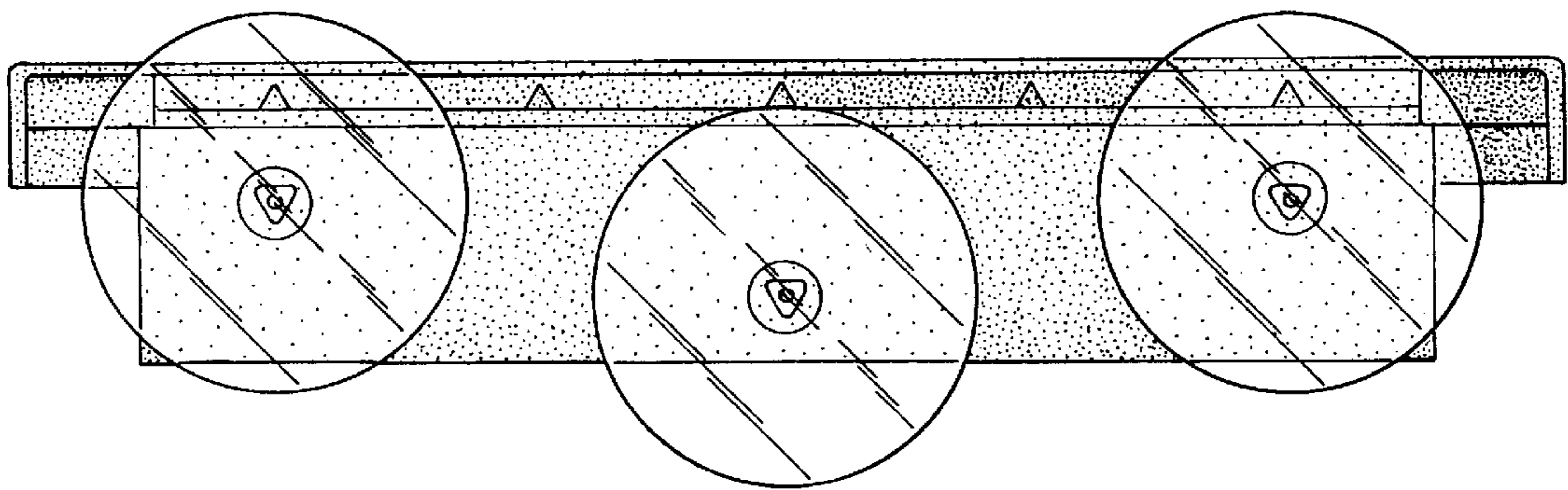


FIG. - 5

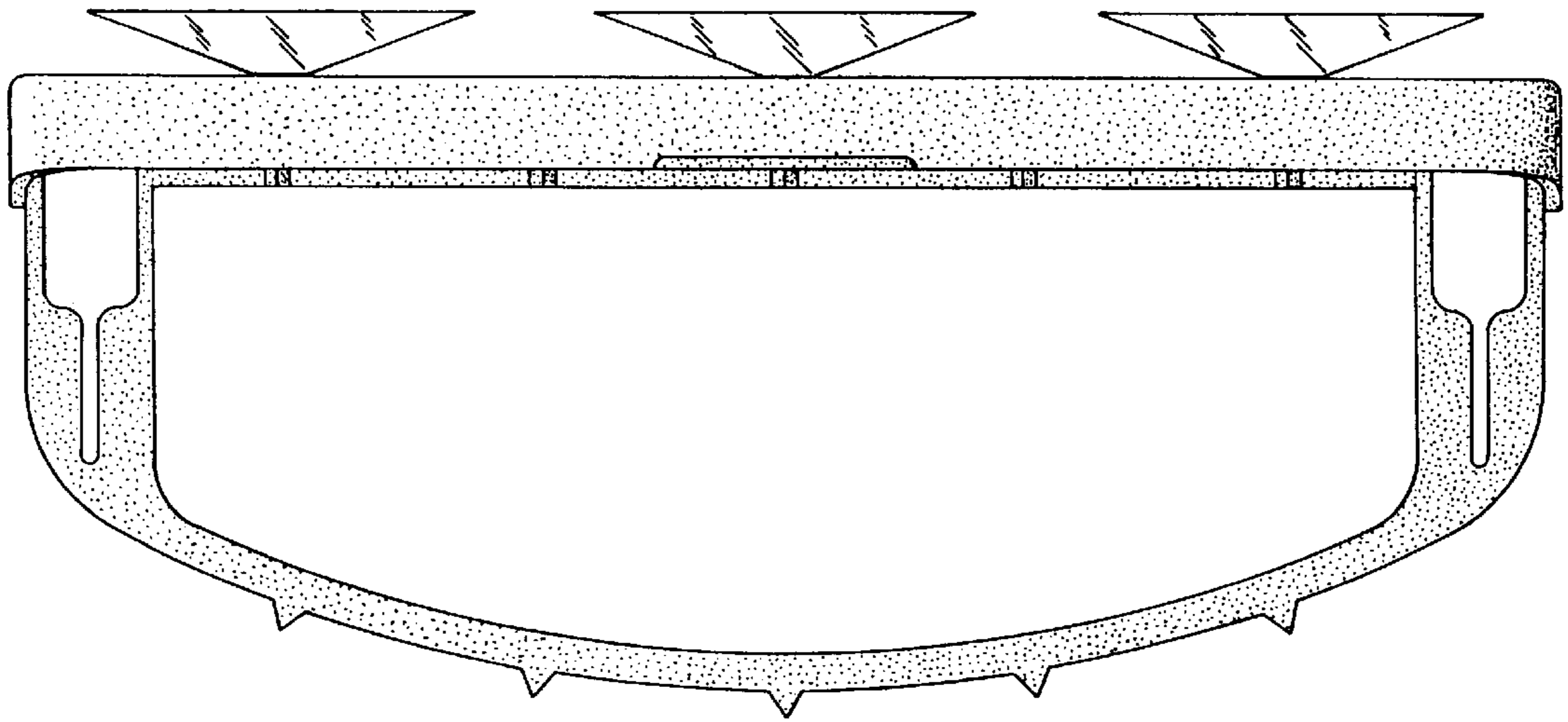


FIG.-6

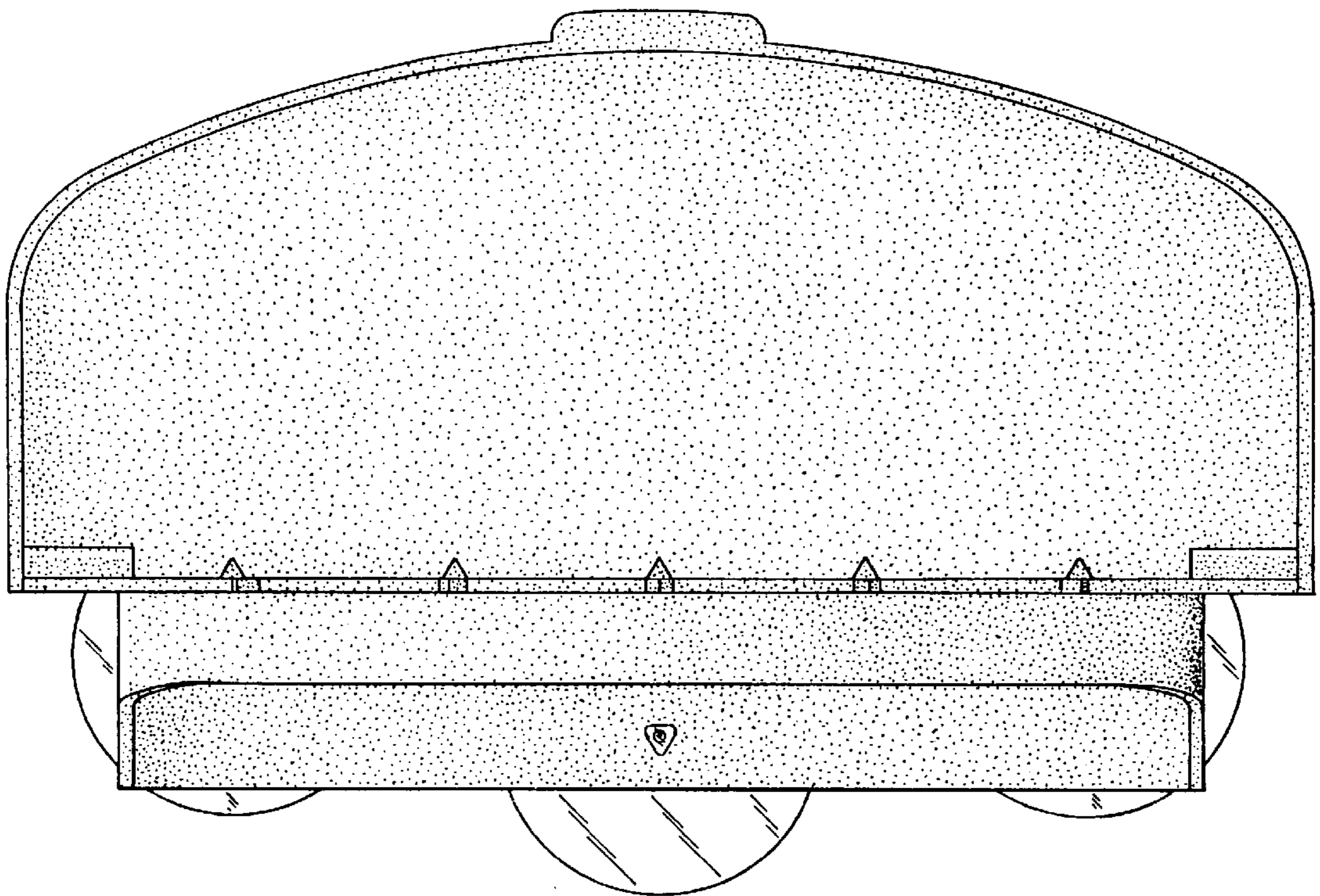


FIG.-7