



US00D421170S

# United States Patent [19] Siu

[11] **Patent Number: Des. 421,170**

[45] **Date of Patent: \*\* Feb. 22, 2000**

[54] **BAG HOLDER**

[76] **Inventor: Victor Wai Park Siu, 5304 Christopher Court, Burnaby, British Columbia, Canada, V5H 2K2**

[\*\*] **Term: 14 Years**

[21] **Appl. No.: 29/091,116**

[22] **Filed: Jul. 23, 1998**

[51] **LOC (7) Cl. .... 09-09**

[52] **U.S. Cl. .... D34/6; D6/566**

[58] **Field of Search ..... D6/566; D34/1, D34/2, 3, 4, 5, 6, 7, 9, 10; 248/95, 97, 99; 220/908, 909**

[56] **References Cited**

**U.S. PATENT DOCUMENTS**

D. 246,565	12/1977	Roark .....	D34/6
D. 321,135	10/1991	Bedell et al. ....	D34/5
D. 324,748	3/1992	Bagamery .....	D34/5
D. 391,722	3/1998	Sheppard .....	D34/5
D. 398,121	9/1998	Siu .....	D34/6

3,420,483	1/1969	Stalker .....	248/97
5,190,253	3/1993	Sable .....	248/97
5,213,291	5/1993	Wiebe .....	248/97
5,799,908	9/1998	Downs .....	248/97

*Primary Examiner*—Susan J. Lucas  
*Assistant Examiner*—Cynthia E Ramirez  
*Attorney, Agent, or Firm*—Oyen Wiggs Green & Mutala

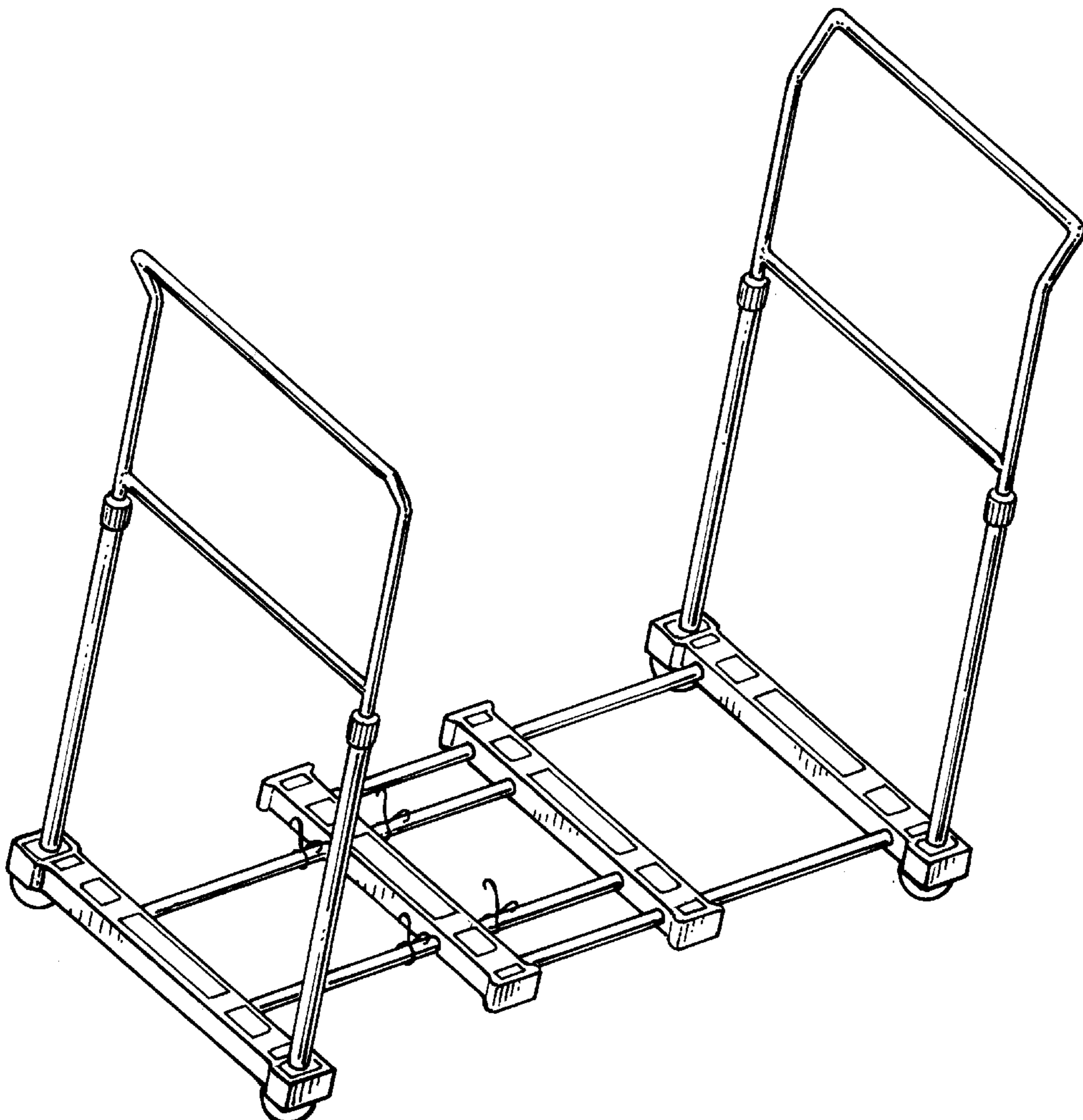
[57] **CLAIM**

The ornamental design for a bag holder, as shown and described.

**DESCRIPTION**

FIG. 1 is an isometric view of a bag holder showing my new design;  
FIG. 2 is a front view of the design shown in FIG. 1, the rear view being a mirror image thereof;  
FIG. 3 is a right side view of the design shown in FIG. 1, the left side view being a mirror image thereof;  
FIG. 4 is a top view of the design shown in FIG. 1; and,  
FIG. 5 is a bottom view of the design shown in FIG. 1.

**1 Claim, 5 Drawing Sheets**



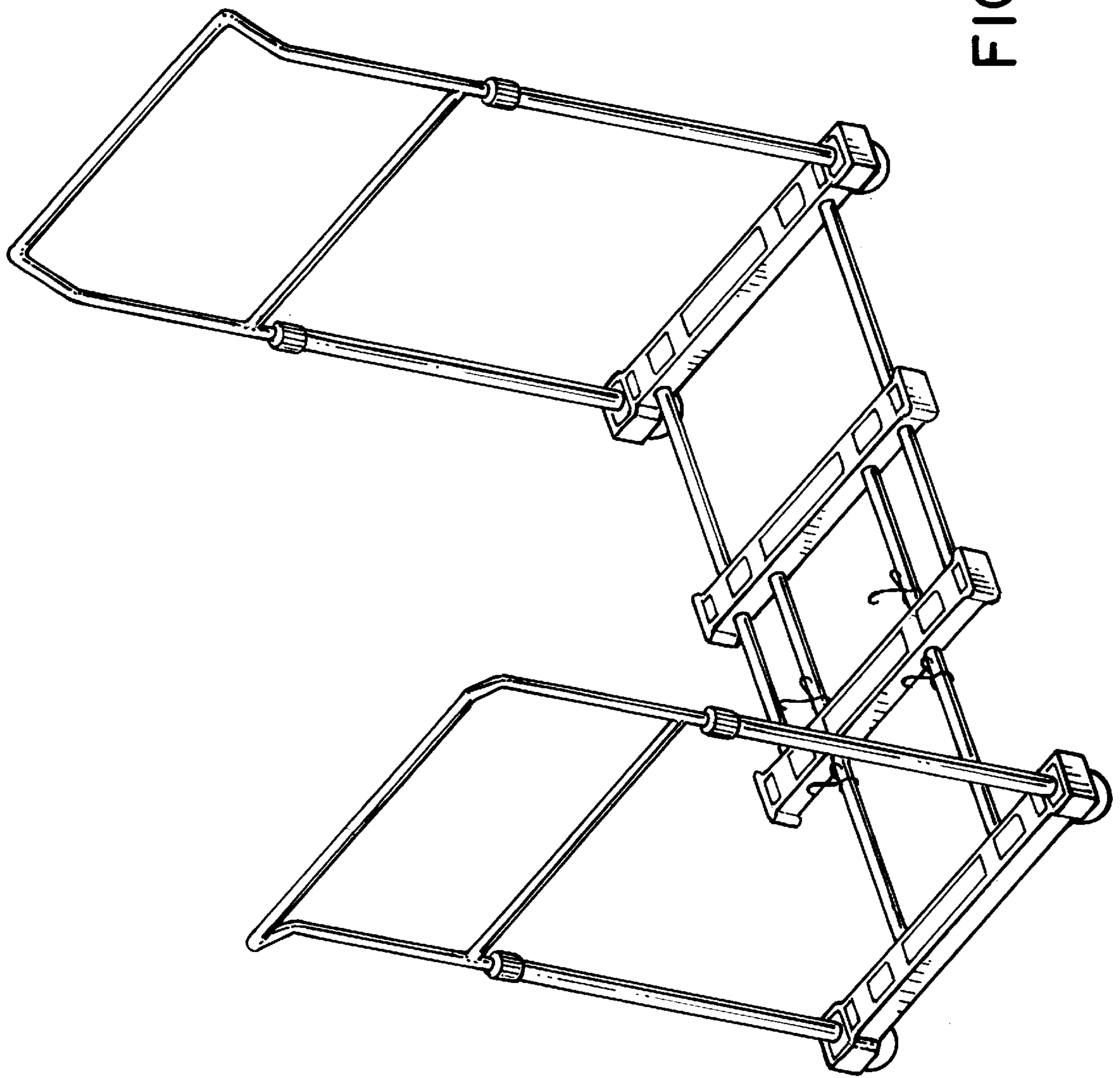
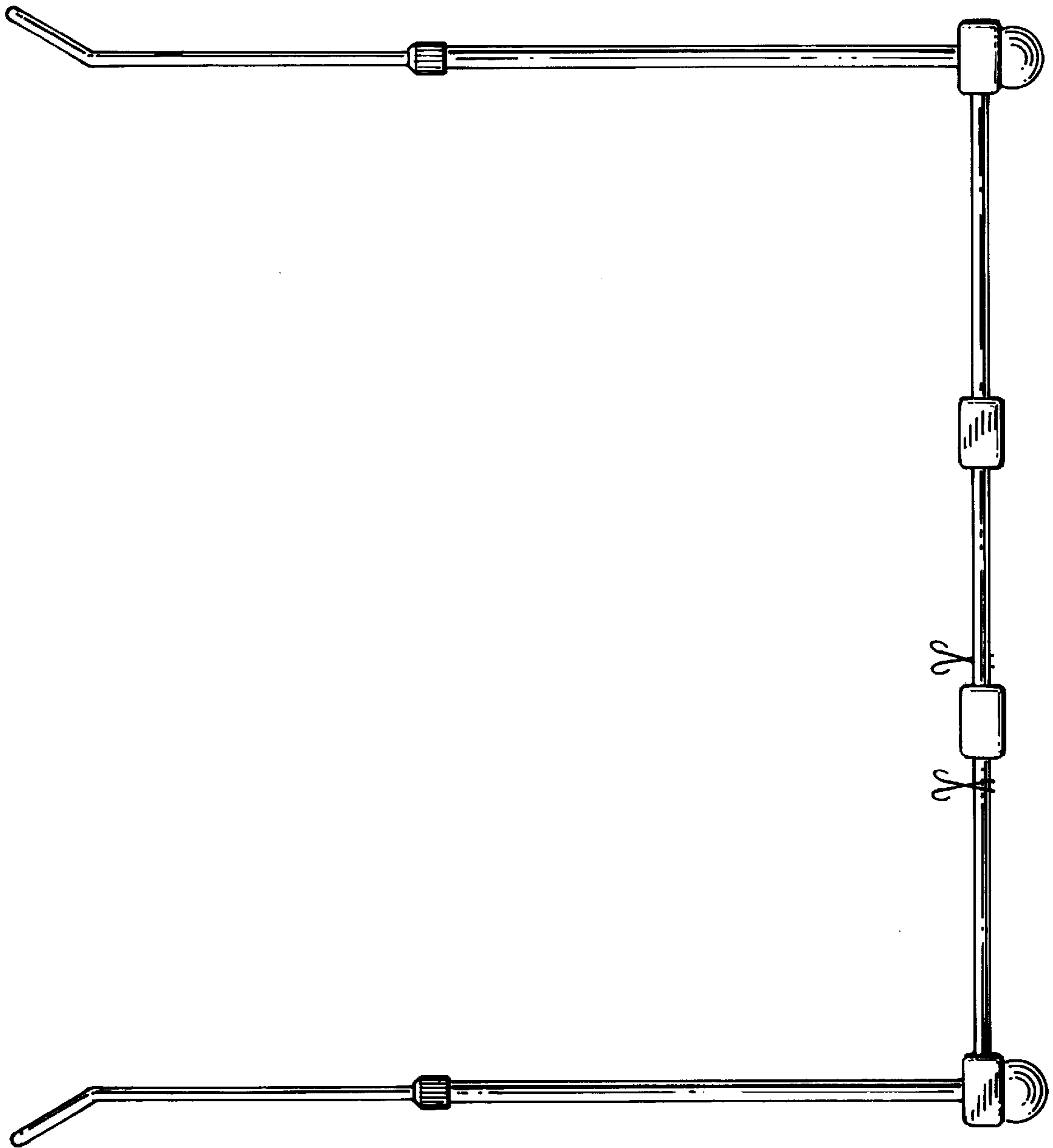


FIG. 1

FIG. 2



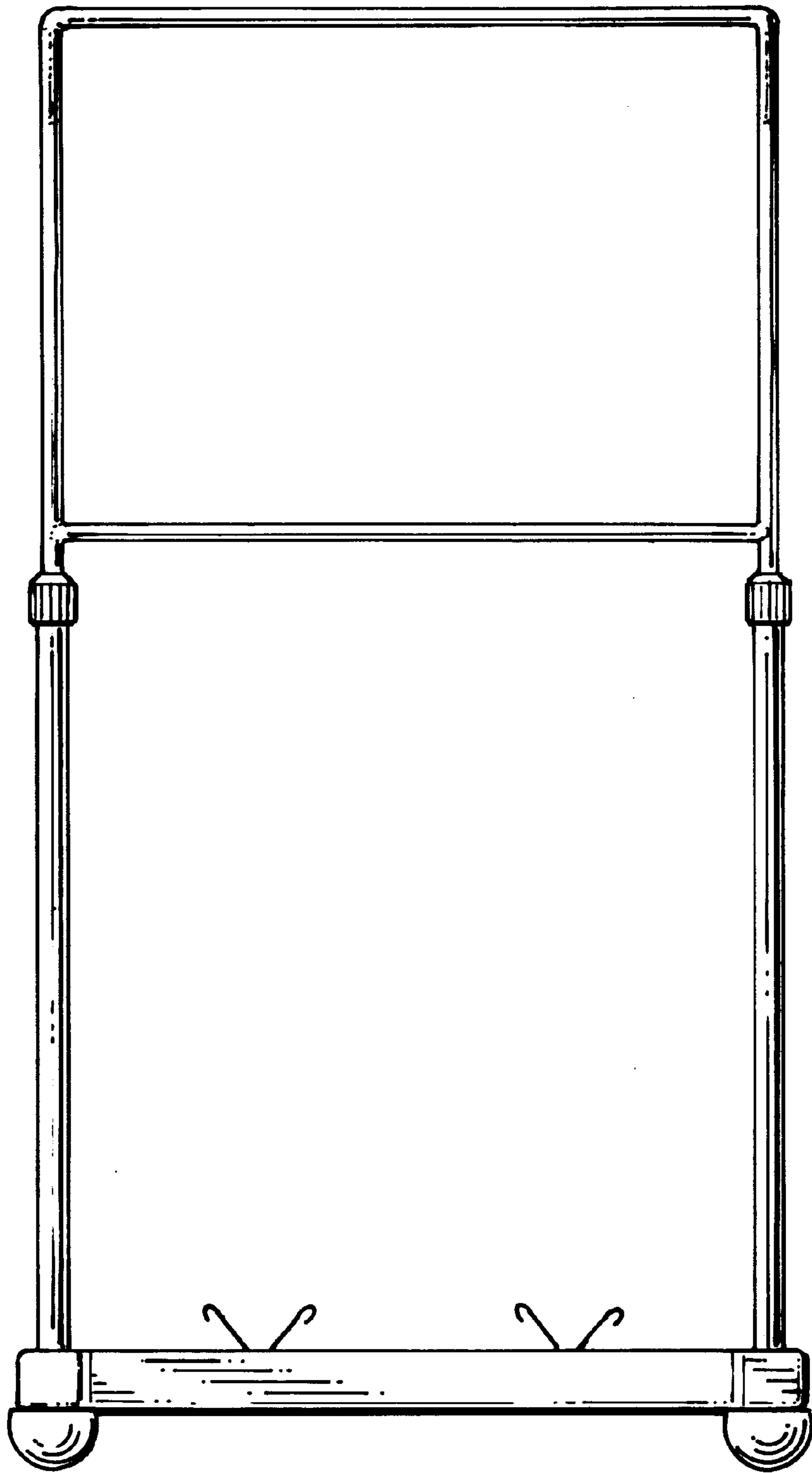


FIG. 3

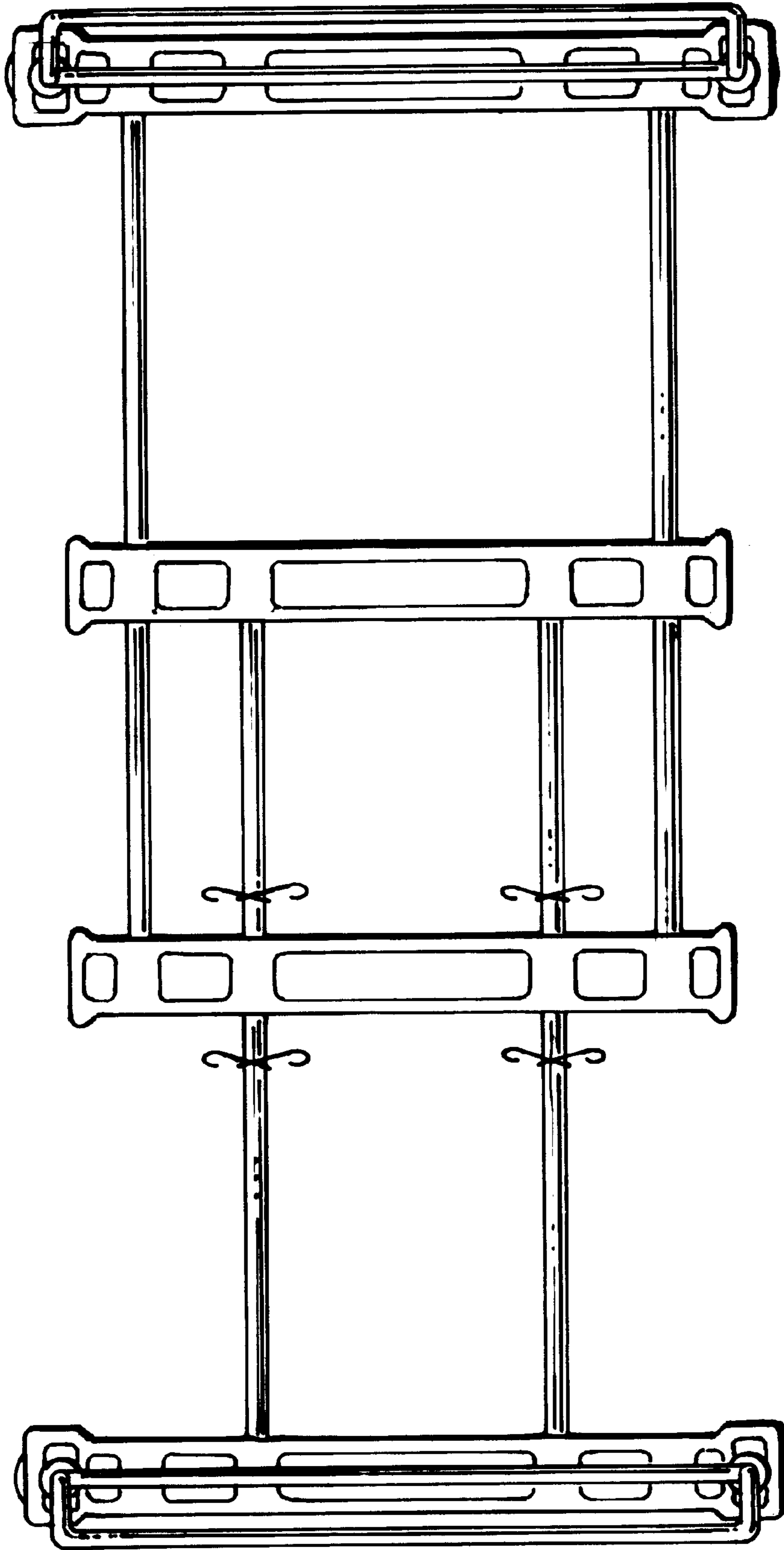


FIG. 4

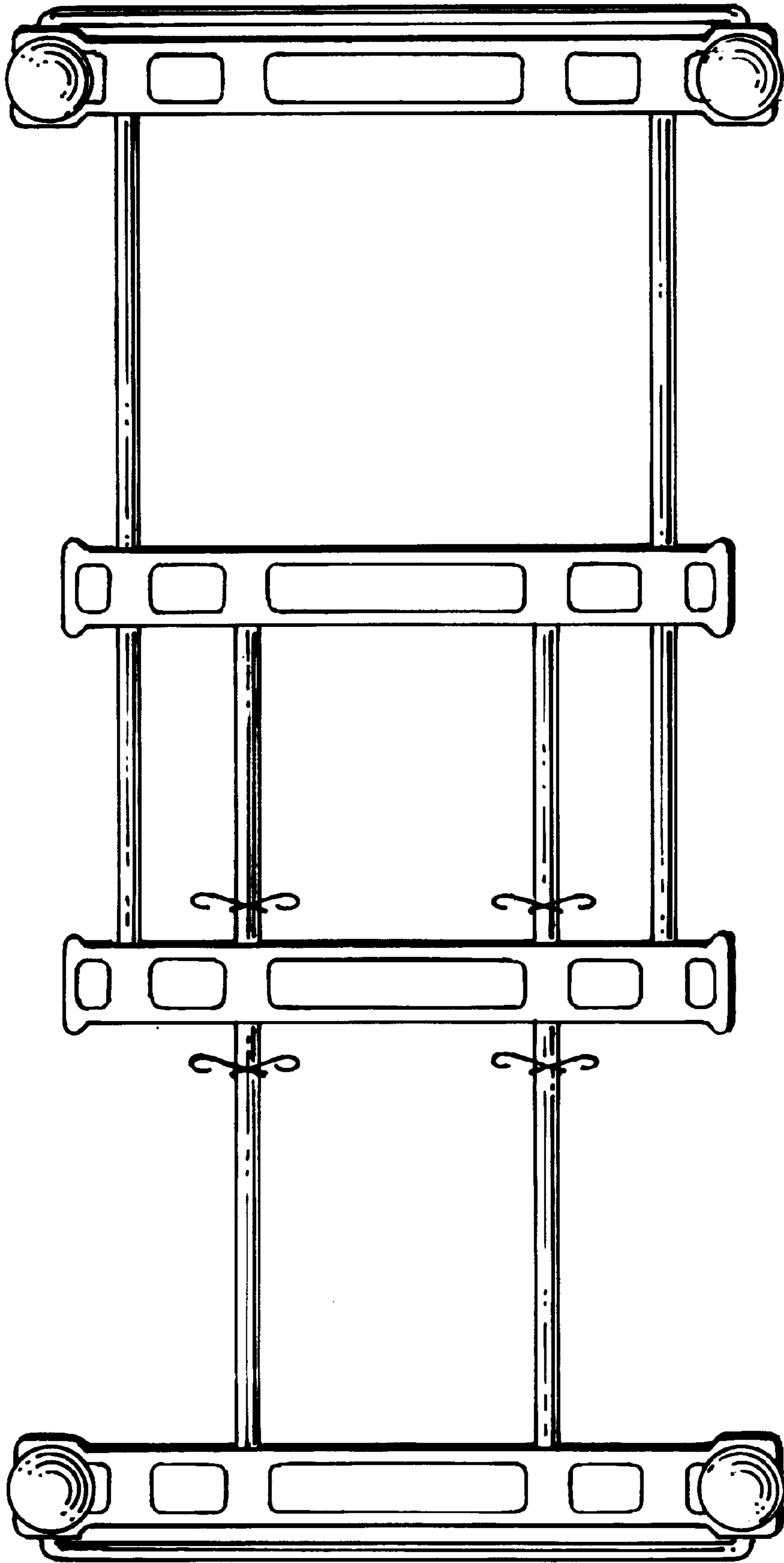


FIG. 5