



US00D421169S

United States Patent [19]

Demore et al.

[11] Patent Number: **Des. 421,169**

[45] Date of Patent: **** Feb. 22, 2000**

[54] **VANITY WASTEBASKET**

[75] Inventors: **Anthony Demore**, Copley, Ohio;
Patrick Douglas, Minneapolis, Minn.

[73] Assignee: **Rubbermaid Incorporated**, Wooster, Ohio

[**] Term: **14 Years**

[21] Appl. No.: **29/101,375**

[22] Filed: **Mar. 2, 1999**

[51] **LOC (7) Cl.** **09-09**

[52] **U.S. Cl.** **D34/1**

[58] **Field of Search** D34/1, 5, 6; 220/908,
220/909, 910, 911; D19/75, 86, 90

[56] References Cited

U.S. PATENT DOCUMENTS

D. 186,194	9/1959	Beverlin	D58/4
D. 200,882	4/1965	Benjamin	D58/17
D. 215,617	10/1969	Heck	D49/35
D. 261,720	11/1981	Brazis	D34/9
D. 280,459	9/1985	McClelland	D34/8
D. 281,111	10/1985	McClelland	D34/8
D. 319,905	9/1991	Hotchkiss	D34/9
D. 321,576	11/1991	Hradisky	D34/8
D. 322,350	12/1991	Craft et al.	D34/9
D. 326,343	5/1992	Hradisky	D34/7
D. 326,754	6/1992	Hradisky	D34/7
D. 328,101	7/1992	Rorke	D19/90
D. 333,716	3/1993	Bird et al.	D34/8
D. 337,187	7/1993	Hampshire	D34/1
D. 338,302	8/1993	Shafer	D34/1
D. 342,817	12/1993	Lippisch et al.	D34/7
D. 343,485	1/1994	Hampshire	D34/1
D. 353,924	12/1994	Markovitz	D34/1
D. 355,739	2/1995	Bird et al.	D34/1
D. 362,525	9/1995	Kruger	D34/1
D. 365,427	12/1995	Brightbill et al.	D34/1
D. 368,563	4/1996	Brightbill et al.	D34/9
D. 381,159	7/1997	Hampton	D34/1
D. 387,530	12/1997	Doxey	D34/1
D. 398,116	9/1998	Malone et al.	D34/1
D. 398,118	9/1998	Douglas	D34/1
D. 399,622	10/1998	Rashid	D34/1
D. 400,331	10/1998	Rausch	D34/1

D. 401,028	11/1998	Ahern, Jr.	D34/9
D. 404,867	1/1999	Rashid	D34/1
D. 405,576	2/1999	Rausch	D34/1
D. 410,164	5/1999	Rashid	D19/90 X
D. 412,228	7/1999	Diehl	D34/1 X
4,765,579	8/1988	Robbins, III et al.	248/101
4,907,710	3/1990	Bulkens	220/1
5,375,732	12/1994	Bowers et al.	220/404
5,535,914	7/1996	Badalamenti et al.	220/404
5,803,303	9/1998	Timm et al.	220/495.04

OTHER PUBLICATIONS

Sell sheet, Wastebasket; Sterilite Corporation, P.O. Box 524, Main Street, Townsend, Massachusetts. Published at least as early as Jan. 17, 1990.

Sell sheet, Wastebasket; Sterilite Corporation, P.O. Box 524 Main Street, Townsend, Massachusetts. Published at least as early as Jan. 17, 1990.

Sell sheet, Wastebasket; Sterilite Corporation, P.O. Box 524, Main Street, Townsend, Massachusetts. Publication date 1992.

Sell sheet, Wastebasket; Sterilite Corporation, P.O. Box 524, Main Street, Townsend, Massachusetts. Publication date 1991.

Brochure page, Wastebasket; Sterilite Corporation, P.O. Box 524, Main Street, Townsend, Massachusetts. Published at least as early as 1997.

Catalog page, Wastebasket; Frem corporation, 60 Webster Place, P.O. Box 4, Worcester, Massachusetts 01603-0004. Publication date May 1, 1991.

Sell sheet, Wastebasket; Tucker Housewares, 25 Tucker Drive, Leominster, Massachusetts 01453. Published at least as early as Sep., 1994.

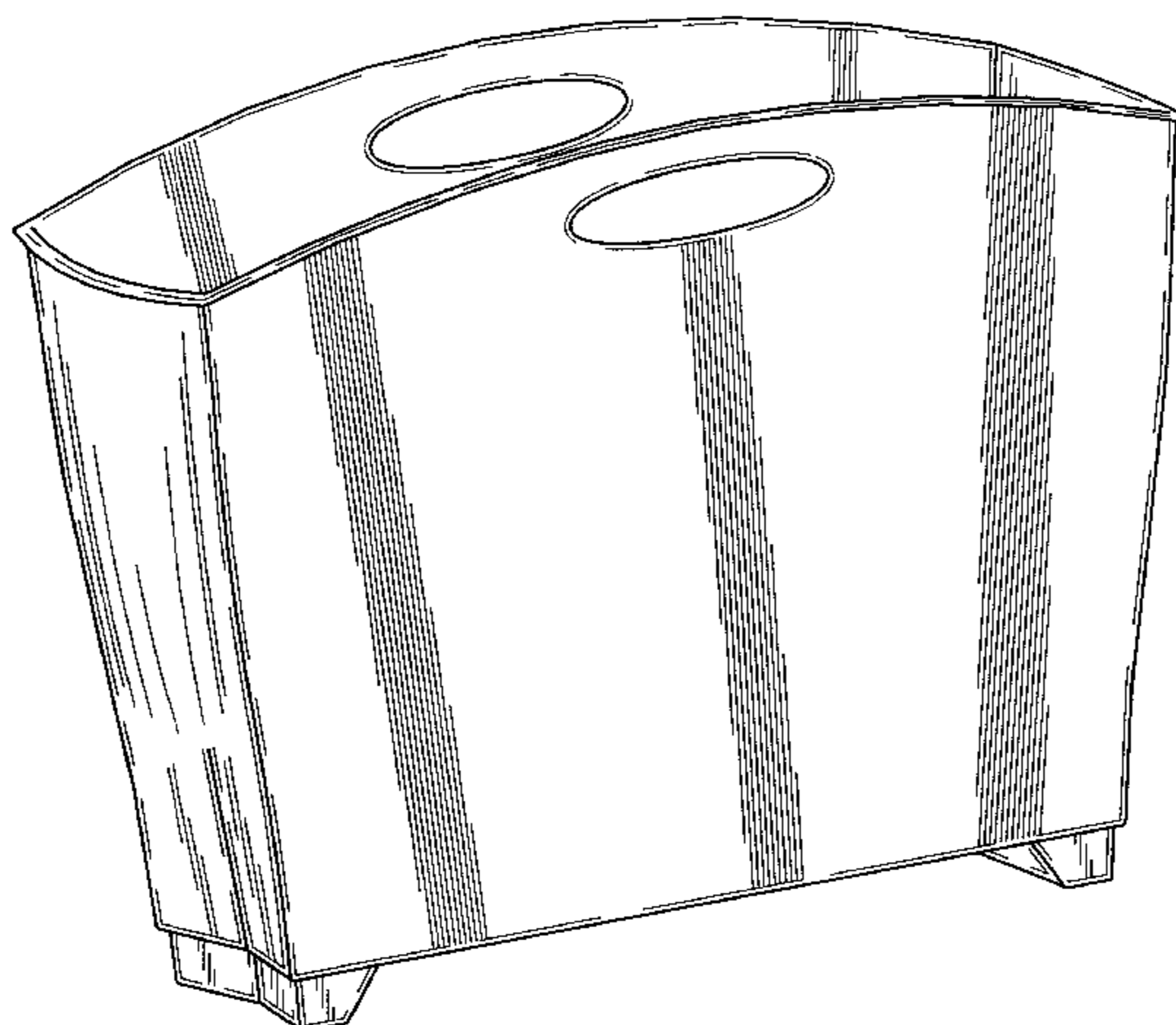
Pp. 2, 3, 4, 5, 6 and 7, Wastebaskets; Tucker Housewares, 25 Tucker Drive, Leominster, Massachusetts 01453. Published at least as early as Aug., 1994.

P. 5, Wastebasket; Curver, Fliethstrasse 67, Postfach 665, The Netherlands. Publication date 1991.

P. 67, Wastebaskets; Iwasaki Industry Inc., No. 26 Showa Kogyo Danchi, 1216-5, Nukatabe Kitamachi, Yamato-Koriyama, Nara 639-11 Japan. Publication date 1990-1991.

P. 8, Wastebaskets; Rubbermaid Japan Inc., 136 Sakuragi, Mizuhashi Toyama 939-05, Japan. Published at least as early as Apr., 1995.

P. 13, Wastebaskets; Rubbermaid Commercial Products Inc., 3124 Valley Avenue, Winchester, Virginia 22601. Publication date 1992.



P. 22, Wastebaskets; Rubbermaid Incorporated, 1147 Akron Road, Wooster, Ohio 44691. Publication date 1980.

Sell Sheet, Wastebaskets; Rubbermaid Incorporated, 1147 Akron Road, Wooster, Ohio 44691. Publication 1980.

Catalog page, Wastebasket; Rubbermaid Incorporated, 1147 Akron Road, Wooster, Ohio 44691. Publication date 1991.

Catalog page, Wastebasket; Rubbermaid Incorporated, 1147 Akron Road, Wooster, Ohio 44691. Publication date 1993.

Catalog page, Wastebasket; Rubbermaid Incorporated, 1147 Akron Road, Wooster, Ohio 44691. Publication date 1997.

Primary Examiner—Susan J. Lucas

Assistant Examiner—Cynthia E. Ramirez

Attorney, Agent, or Firm—Richard B. O'Planick

[57]

CLAIM

The ornamental design for a vanity wastebasket, as shown and described.

DESCRIPTION

FIG. 1 is a top left front perspective view of a vanity

wastebasket showing our new design;

FIG. 2 is a front elevational view thereof; the rear elevational view being a mirror image;

FIG. 3 is a right side elevational view thereof; the left side elevational view being a mirror image;

FIG. 4 is a top plan view thereof; and,

FIG. 5 is a bottom plan view thereof.

1 Claim, 5 Drawing Sheets

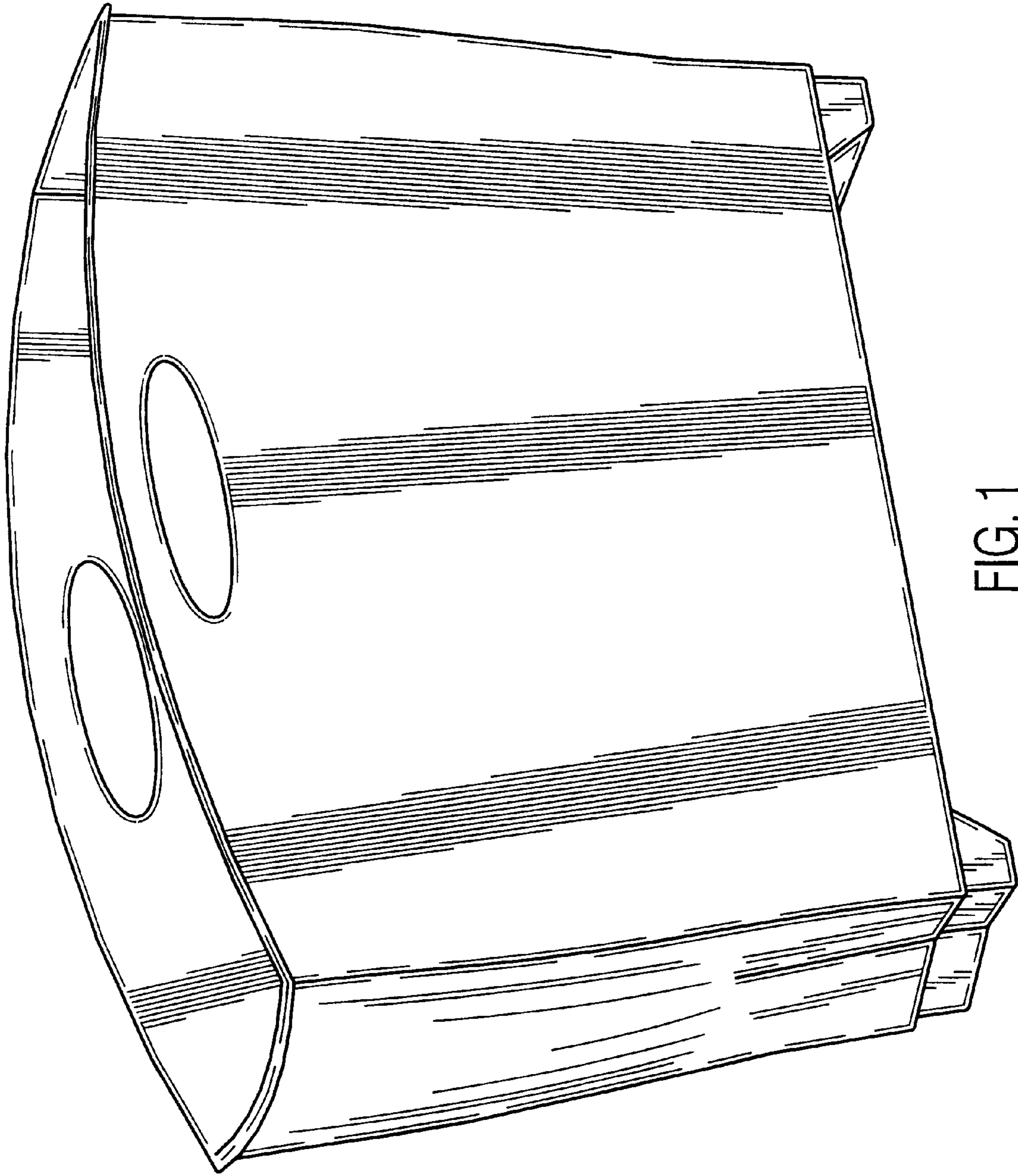


FIG. 1

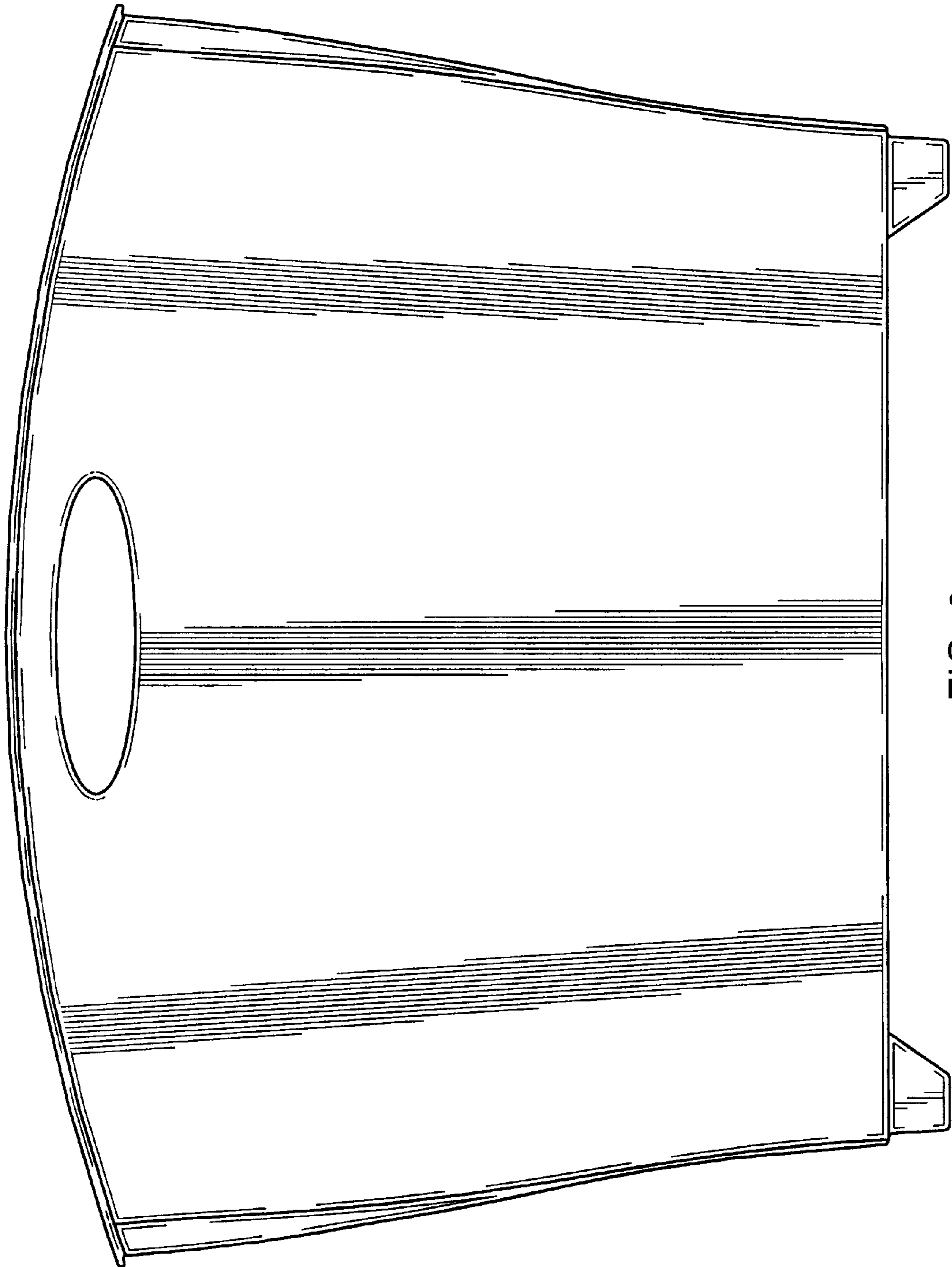


FIG. 2

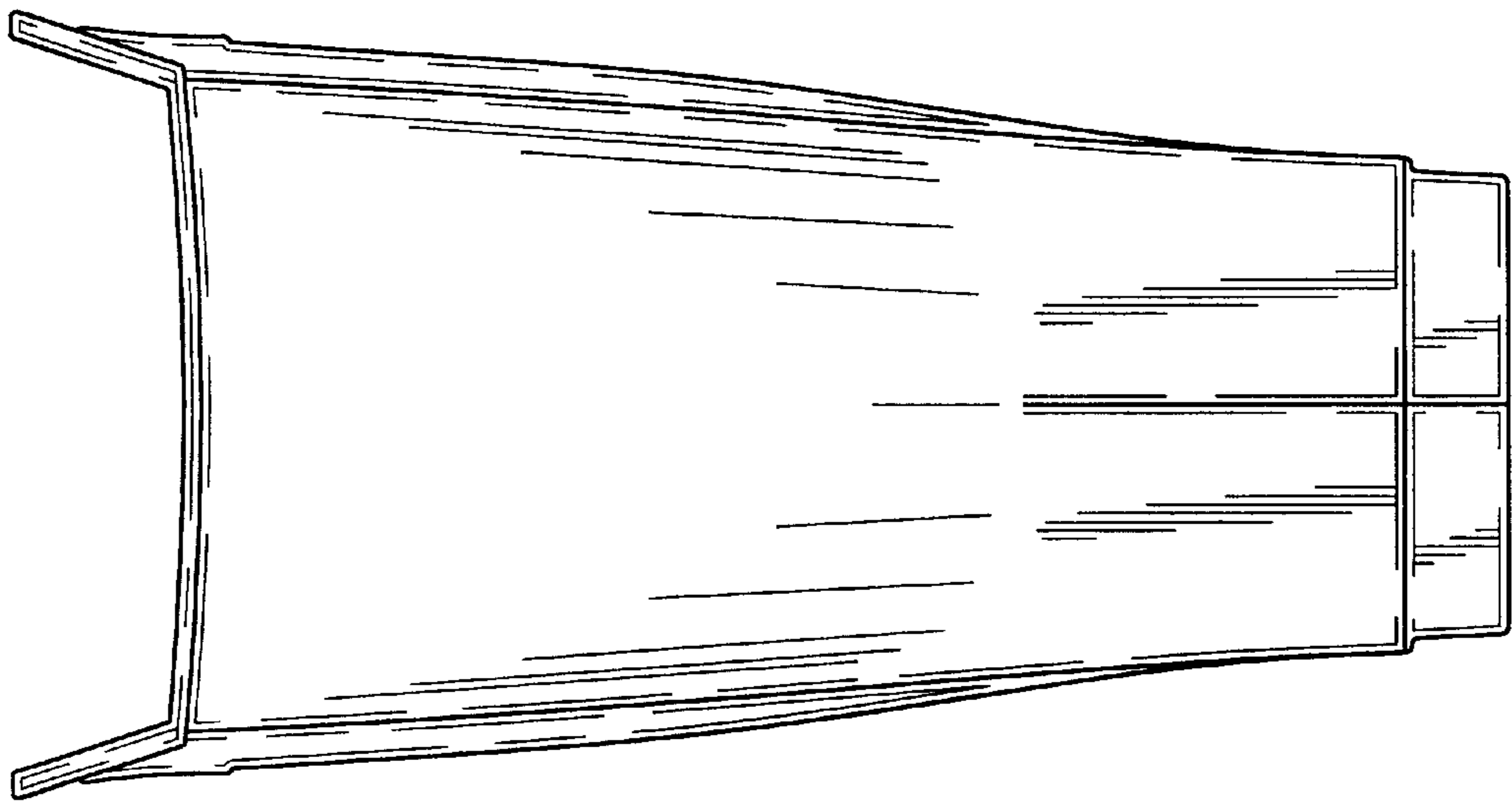


FIG. 3

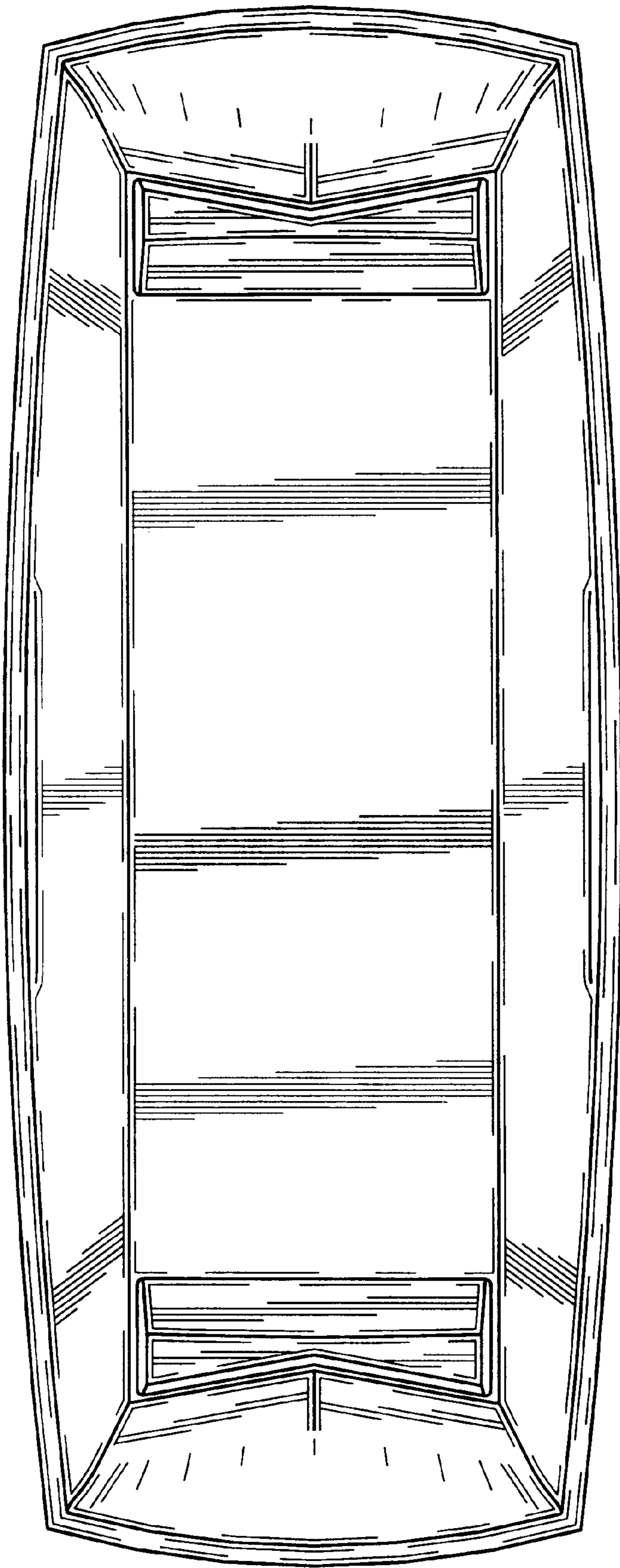


FIG. 4

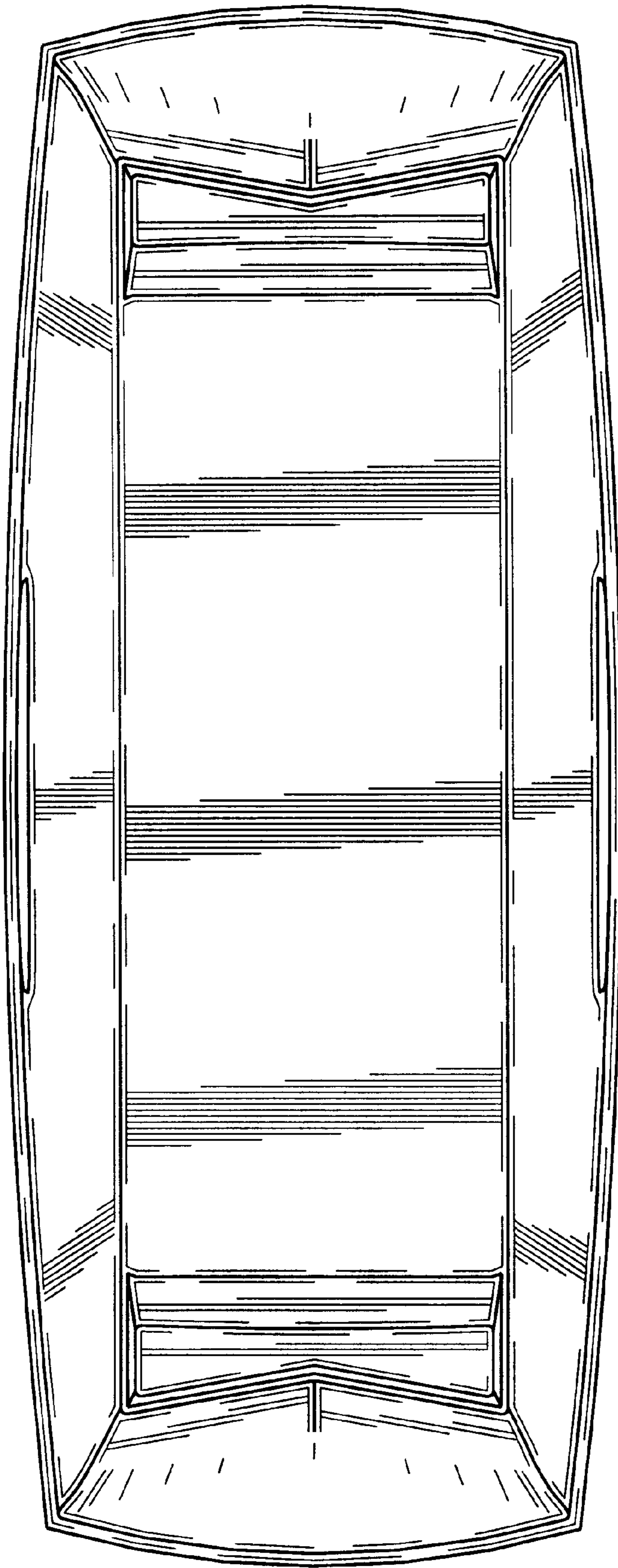


FIG. 5