



US00D421168S

# United States Patent [19] France

[11] **Patent Number: Des. 421,168**

[45] **Date of Patent: \*\* Feb. 22, 2000**

[54] **WASTEBASKET**

[75] Inventor: **Nicole C. France**, Wooster, Ohio

[73] Assignee: **Rubbermaid Incorporated**, Wooster, Ohio

[\*\*] Term: **14 Years**

[21] Appl. No.: **29/099,309**

[22] Filed: **Jan. 19, 1999**

[51] **LOC (7) Cl.** ..... **09-09**

[52] **U.S. Cl.** ..... **D34/1**

[58] **Field of Search** ..... D34/1, 5, 6, 4;  
220/908, 909, 910, 911; D19/75, 76, 78,  
86, 90, 91, 99, 100

[56] **References Cited**

**U.S. PATENT DOCUMENTS**

D. 186,194	9/1959	Beverlin	.....	D58/4
D. 200,882	4/1965	Benjamin	.....	D58/17
D. 215,617	10/1969	Heck	.....	D49/35
D. 261,720	11/1981	Brazis	.....	D34/9
D. 270,459	9/1983	McClelland	.....	D34/8
D. 281,111	10/1985	McClelland	.....	D34/8
D. 319,905	9/1991	Hotchkiss	.....	D34/9
D. 321,576	11/1991	Hradisky	.....	D34/8
D. 322,350	12/1991	Craft et al.	.....	D34/9
D. 326,343	5/1992	Hradisky	.....	D34/7
D. 326,754	6/1992	Hradisky	.....	D34/7
D. 333,196	2/1993	Dziersk et al.	.....	D34/1
D. 333,716	3/1993	Bird et al.	.....	D34/8
D. 337,187	7/1993	Hampshire	.....	D34/1
D. 338,302	8/1993	Shafer	.....	D34/1
D. 342,817	12/1993	Lippisch et al.	.....	D34/7
D. 343,485	1/1994	Hampshire	.....	D34/1
D. 355,739	2/1995	Bird et al.	.....	D34/1
D. 362,525	9/1995	Kruger	.....	D34/1
D. 365,427	12/1995	Brightbill et al.	.....	D34/1
D. 368,563	4/1996	Brightbill et al.	.....	D34/9
D. 381,159	7/1997	Hampton	.....	D34/1
D. 387,530	12/1997	Doxey	.....	D34/1
D. 398,116	9/1998	Malone et al.	.....	D34/1
D. 398,118	9/1998	Douglas	.....	D34/1
D. 400,331	10/1998	Rausch	.....	D34/1
D. 401,028	11/1998	Ahern, Jr.	.....	D34/9
D. 405,576	2/1999	Rausch	.....	D34/1

4,765,579	8/1988	Robbins, III et al.	.....	248/101
4,907,710	3/1990	Bulkens	.....	220/1
5,375,732	12/1994	Bowers et al.	.....	220/404
5,535,914	7/1996	Badalamenti et al.	.....	220/404
5,803,303	9/1998	Timm et al.	.....	220/495.04

**OTHER PUBLICATIONS**

Sell sheet, Wastebasket; Sterilite Corporation, P.O. Box 524, Main Street, Townsend, Massachusetts. Published at least as early as Jan. 17, 1990.

Sell sheet, Wastebasket; Sterilite Corporation, P.O. Box 524, Main Street, Townsend, Massachusetts. Publication date 1992.

Sell sheet, Wastebasket; Sterilite Corporation, P.O. Box 524, Main Street, Townsend, Massachusetts. Publication date 1991.

Brochure page, Wastebasket; Sterilite Corporation, P. O. Box 524 Main Street, Townsend, Massachusetts. Published at least as early as 1997.

Catalog page, Wastebasket; Frem Corporation, 60 Webster Place, P.O. Box 4, Worcester, Massachusetts 01603-0004. Publication date May 1, 1991.

Sell sheet, Wastebasket; Tucker Housewares, 25 Tucker Drive, Leominster, Massachusetts 01453. Published at least as early as Sep., 1994.

Pp. 2, 3, 4, 5, 6 and 7, Wastebaskets; Tucker Housewares, 25 Tucker Drive, Leominster, Massachusetts 01453. Published at least as early as Aug., 1994.

P. 5, Wastebasket; Curver, Fliethstrasse 67, Postfach 665, The Netherlands. Publication date 1991.

P. 67, Wastebaskets; Iwasaki Industry Inc., No. 26 Showa Kogyo Danchi, 1216-5, Nukatabe Kita-machi, Yamato-Koriyama, Nara, 639-11 Japan. Publication date 1990-1991.

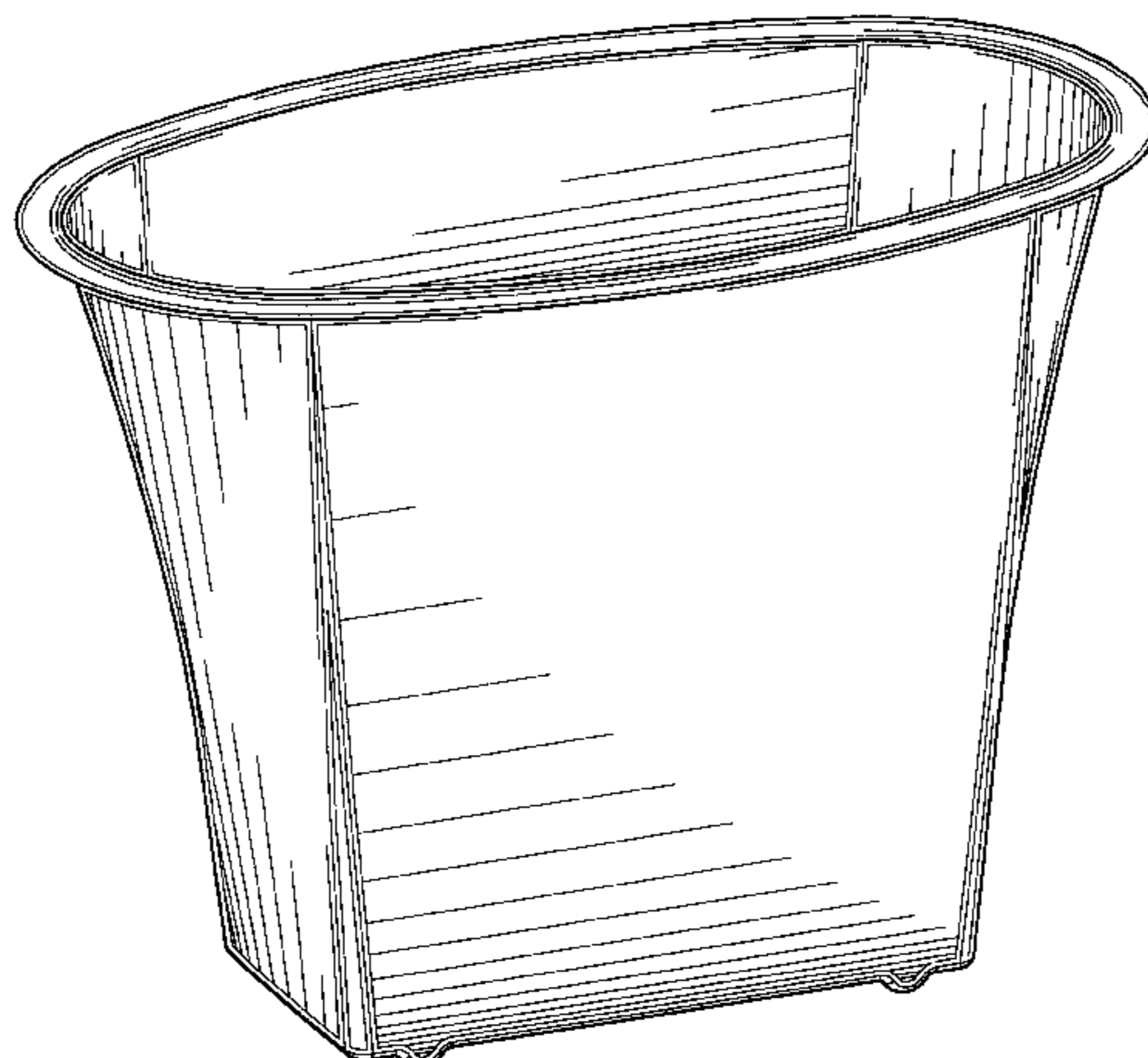
P. 8, Wastebaskets; Rubbermaid Japan Inc., 136 Sakuragi, Mizuhashi Toyama 939-05, Japan. Published at least as early as Apr., 1995.

P. 13, Wastebaskets; Rubbermaid Commercial Products Inc., 3124 Valley Avenue, Winchester, Virginia 22601. Publication date 1992.

P. 22, Wastebaskets; Rubbermaid Incorporated, 1147 Akron Road, Wooster, Ohio 44691. Publication date 1980.

Sell Sheet, Wastebaskets; Rubbermaid Incorporated, 1147 Akron Road, Wooster, Ohio 44691. Publication date 1980.

Catalog page, Wastebaskets; Rubbermaid Incorporated, 1147 Akron Road, Wooster, Ohio 44691. Publication date 1991.



Catalog page, Wastebasket; Rubbermaid Incorporated, 1147 Akron Road, Wooster, Ohio 44691. Publication date 1993.  
Catalog page, Wastebasket; Rubbermaid Incorporated, 1147 Akron Road, Wooster, Ohio 44691. Publication date 1997.

*Primary Examiner*—Susan J. Lucas

*Assistant Examiner*—Cynthia Ramirez

*Attorney, Agent, or Firm*—Richard B. O'Planick

[57]

**CLAIM**

The ornamental design for a wastebasket, as shown and described.

**DESCRIPTION**

FIG. 1 is a top left front perspective view of a wastebasket

showing my new design;

FIG. 2 is a front elevational view thereof; the rear elevational view being a mirror image;

FIG. 3 is a right side elevational view thereof; the left side elevational view being a mirror image;

FIG. 4 is a top plan view thereof; and,

FIG. 5 is a bottom plan view thereof.

**1 Claim, 5 Drawing Sheets**

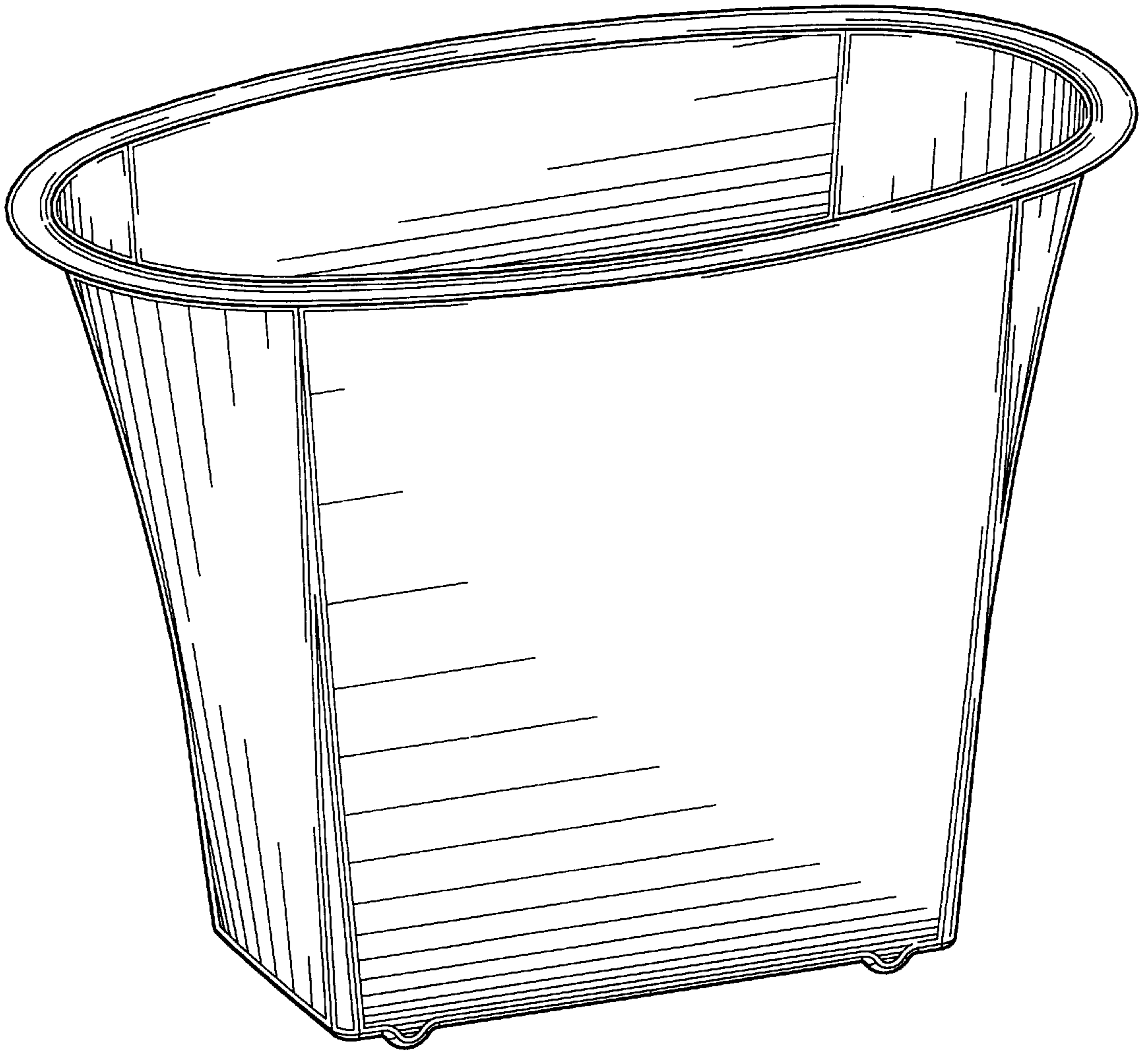


FIG. 1

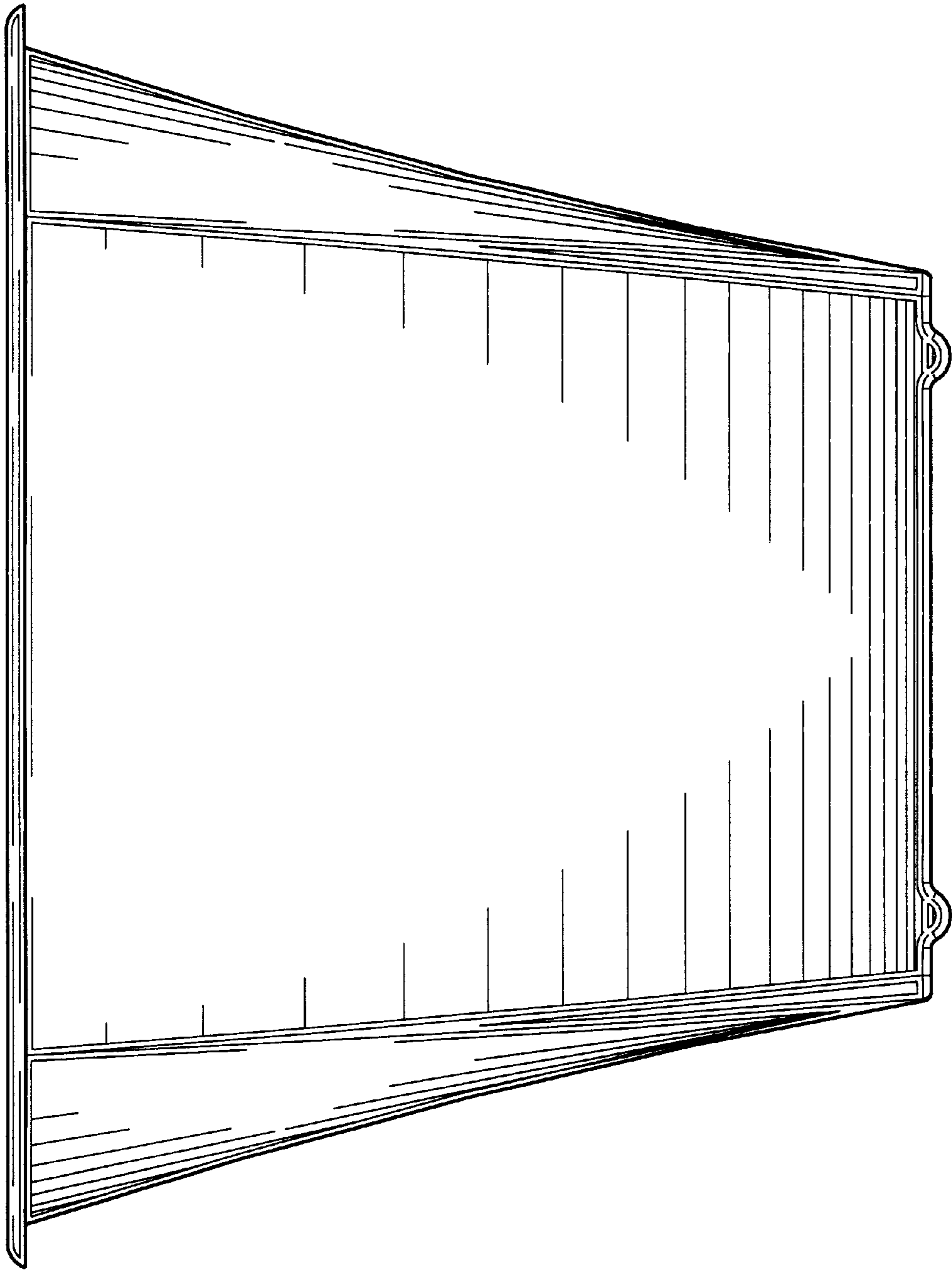


FIG. 2

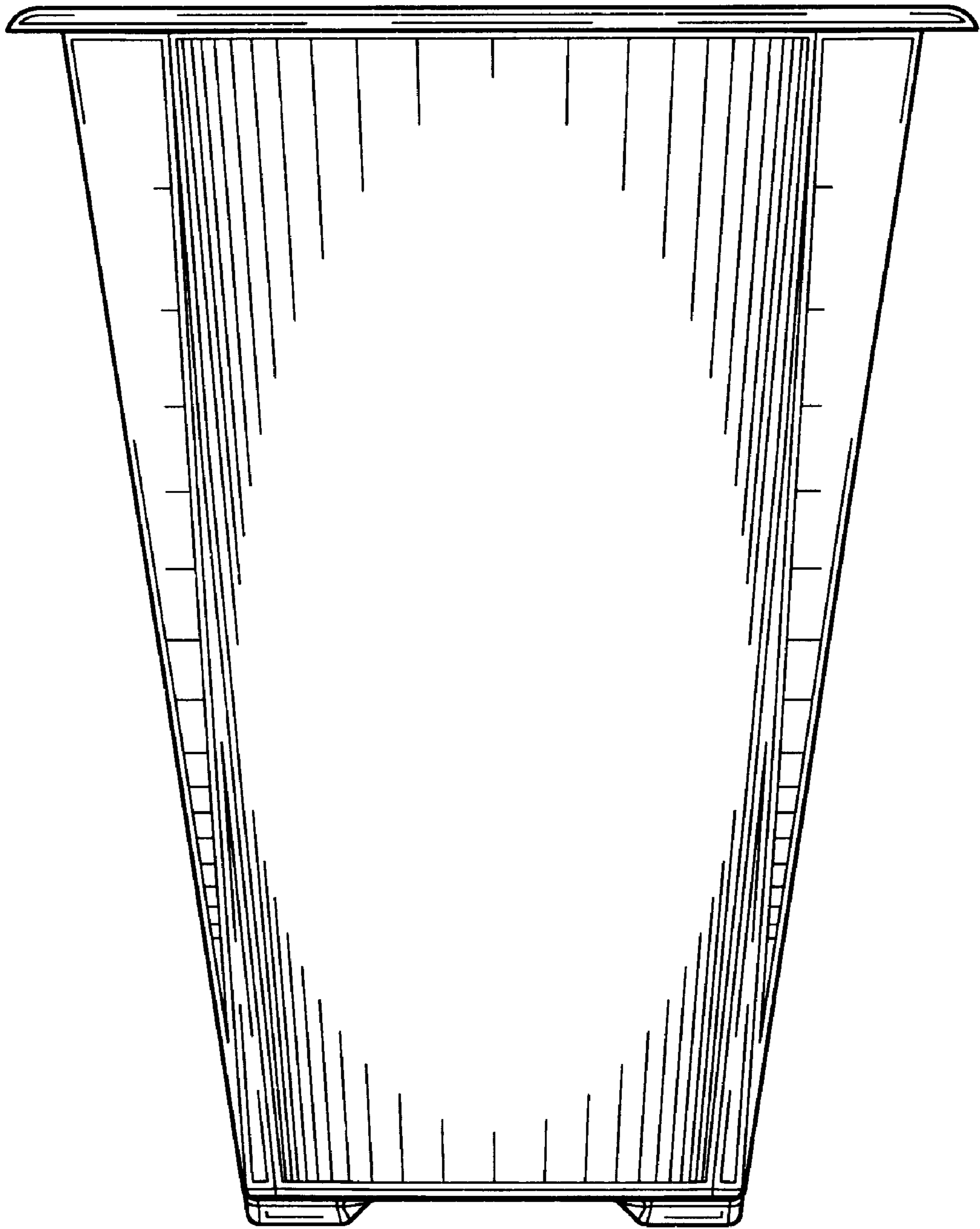


FIG. 3

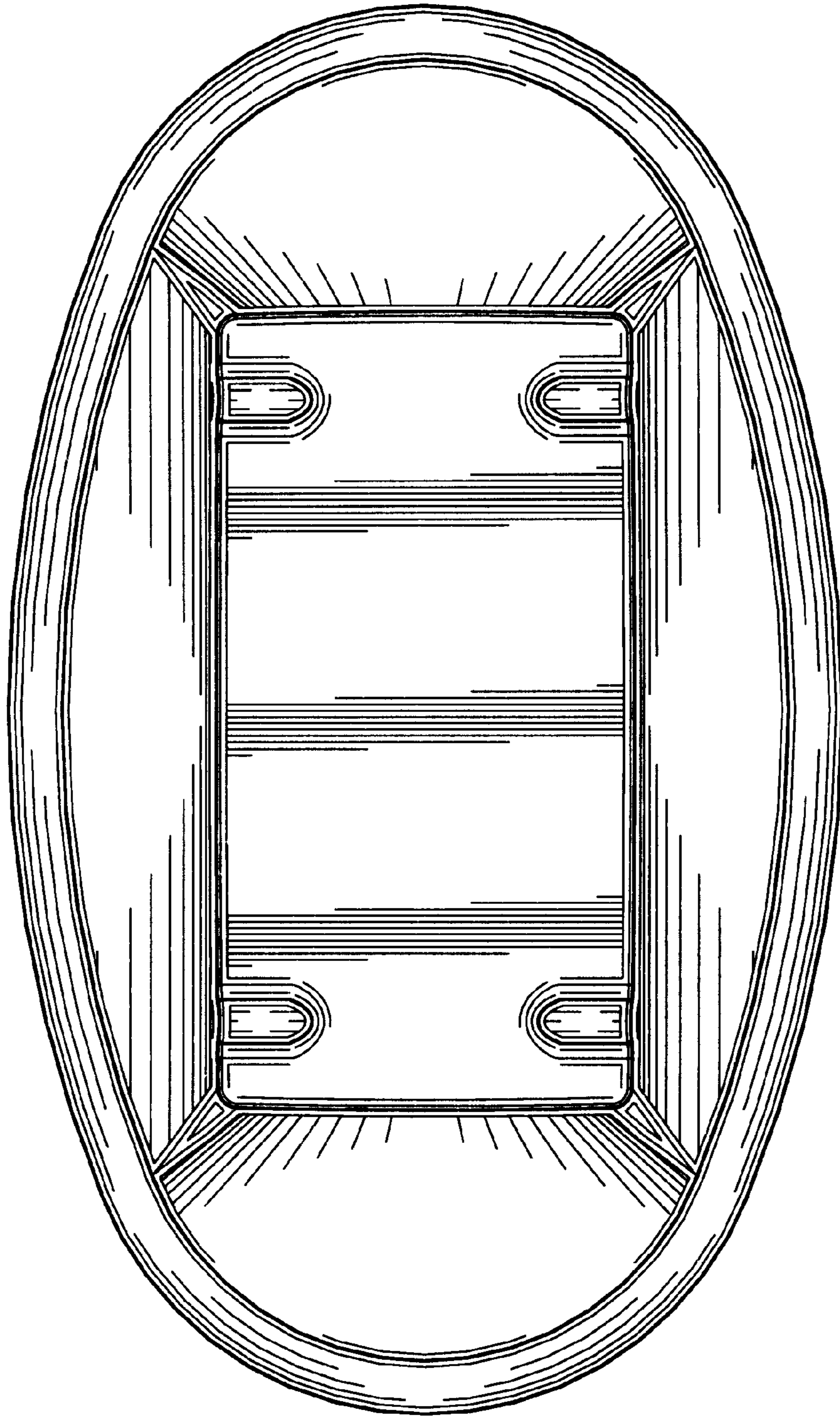


FIG. 4

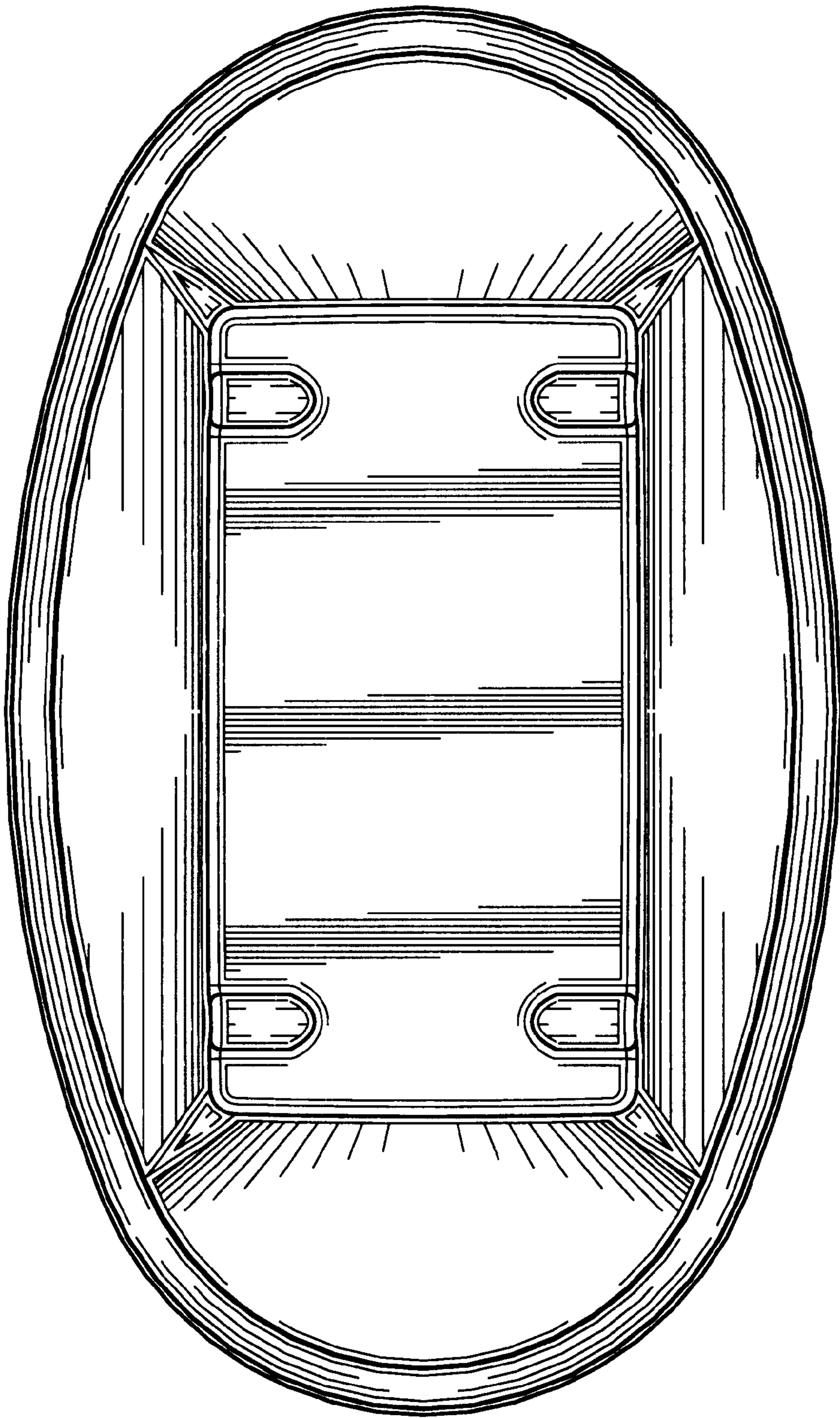


FIG. 5