



US00D421163S

United States Patent [19]

Shigo et al.

[11] Patent Number: Des. 421,163

[45] Date of Patent: ** Feb. 22, 2000

[54] **BLOWER HEAD ASSEMBLY**

5,768,749 6/1998 Ohi et al. .

[75] Inventors: **Peter J. Shigo**, Gilbert; **Kenneth M. Brazell**, Phoenix; **Robert G. Everts**, Chandler, all of Ariz.

OTHER PUBLICATIONS

Brochure on Maruyama Line Trimmer Attachments, no date, 3 pages.

Brochure on Green Machine Line Trimmer Attachments, no date, 1 page.

Brochure on Homelite Line Trimmer Attachments, no date, 1 page.

Brochure on Ryobi Line Trimmer Attachments, no date, 1 page.

[73] Assignee: **Ryobi North America Inc.**, Anderson, S.C.

[**] Term: **14 Years**

[21] Appl. No.: **29/090,961**

[22] Filed: **Jul. 21, 1998**

[51] **LOC (7) Cl.** **15-05**

[52] **U.S. Cl.** **D32/15**

[58] **Field of Search** D32/25, 15, 18; D23/387; 15/344, 345

Primary Examiner—Mitchell Siegel

Attorney, Agent, or Firm—Brooks & Kushman P.C.

[57] **CLAIM**

The ornamental design for an blower head assembly, as shown and described.

[56] **References Cited**

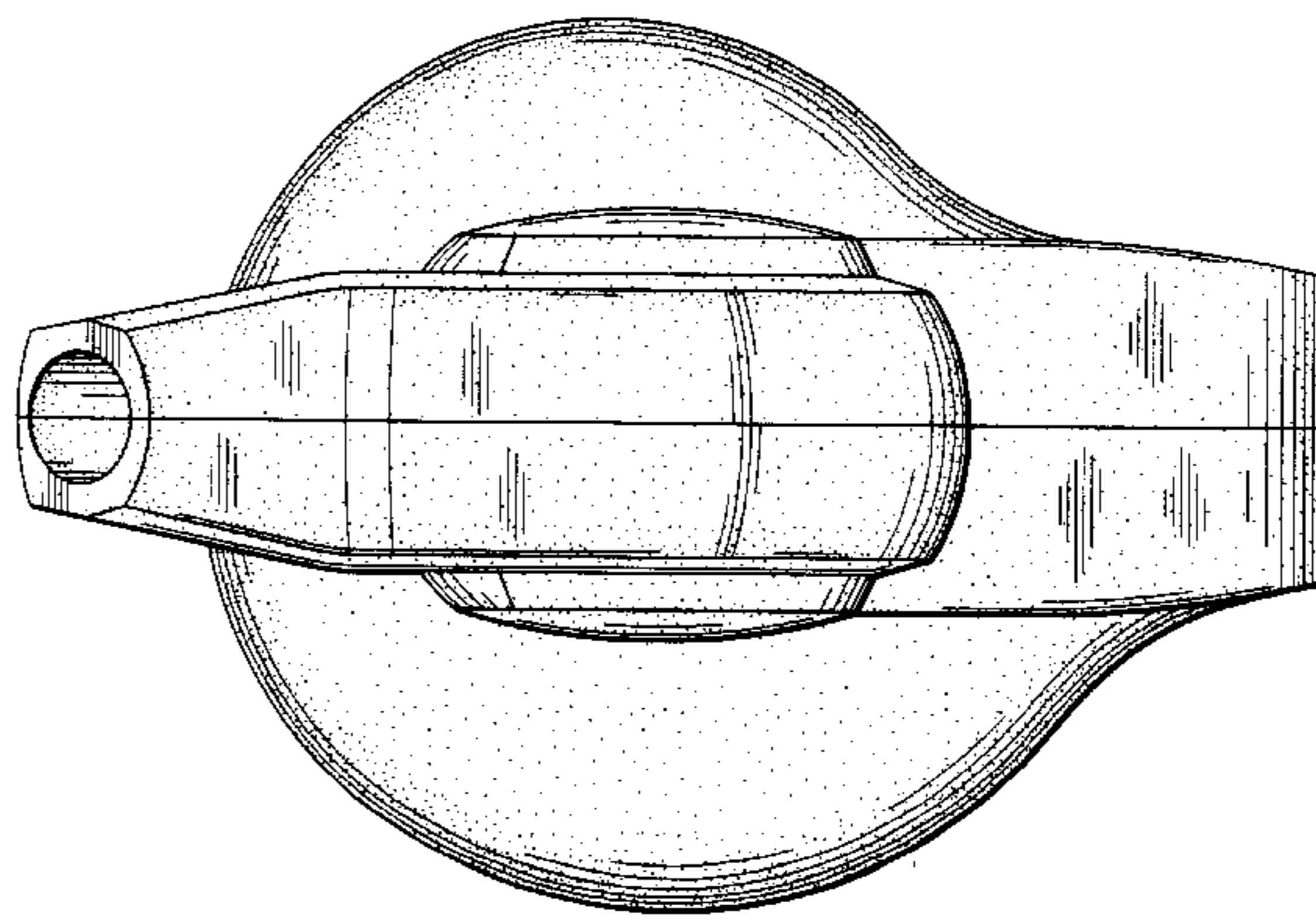
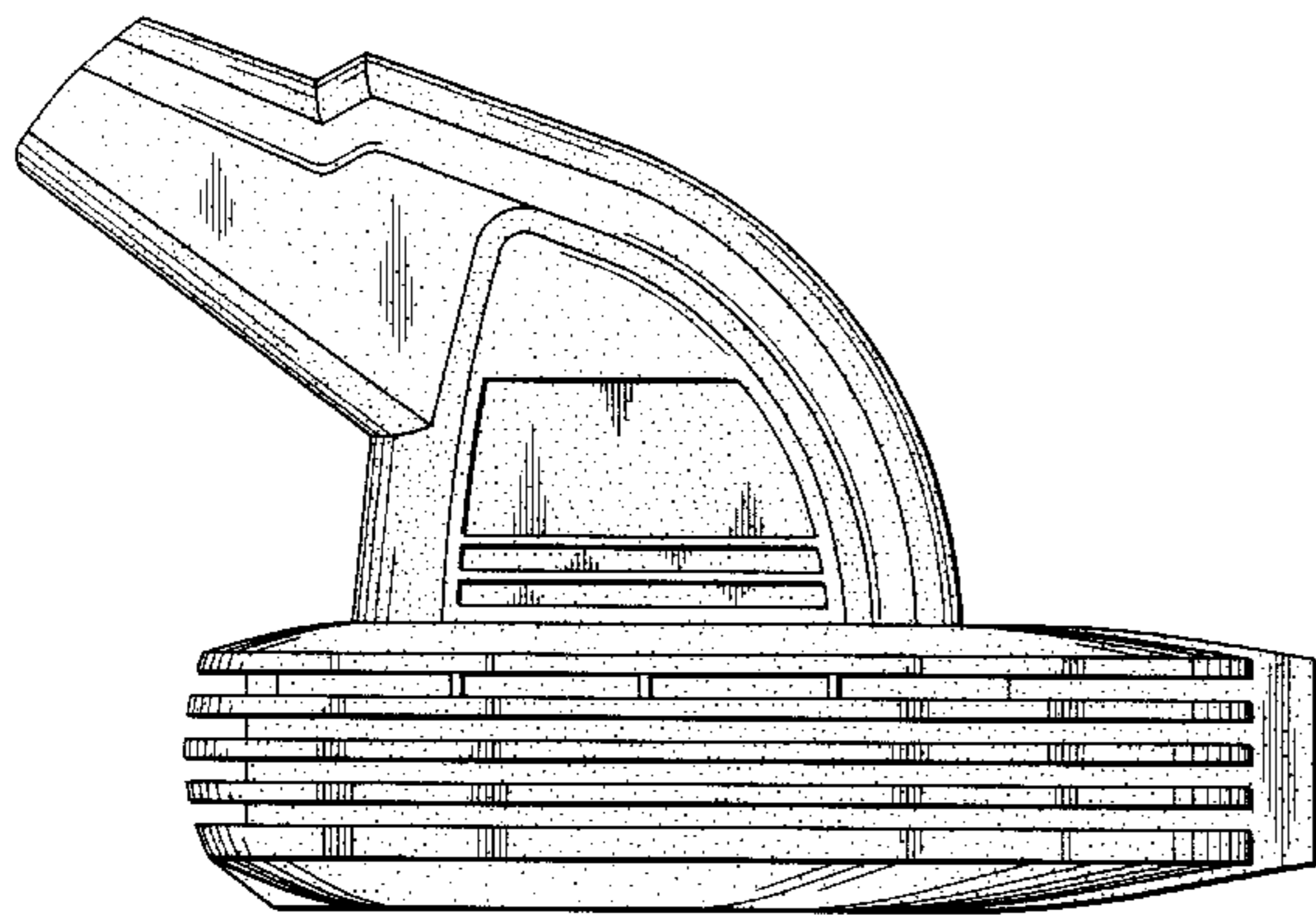
DESCRIPTION

U.S. PATENT DOCUMENTS

- D. 265,503 7/1982 Krug .
- D. 285,132 8/1986 Smith et al. .
- D. 307,956 5/1990 Everts .
- D. 393,506 4/1998 Ohi et al. .
- 4,187,577 2/1980 Hansen et al. .
- 4,227,280 10/1980 Comer .
- 4,242,794 1/1981 Peterson .
- 4,404,706 9/1983 Loyd .

FIG. 1 is a right side elevational view of the blower head assembly;
FIG. 2 is a left side elevational view;
FIG. 3 is a top plan view;
FIG. 4 is a bottom plan view;
FIG. 5 is a front end elevational view; and,
FIG. 6 is a rear end elevational view.

1 Claim, 3 Drawing Sheets



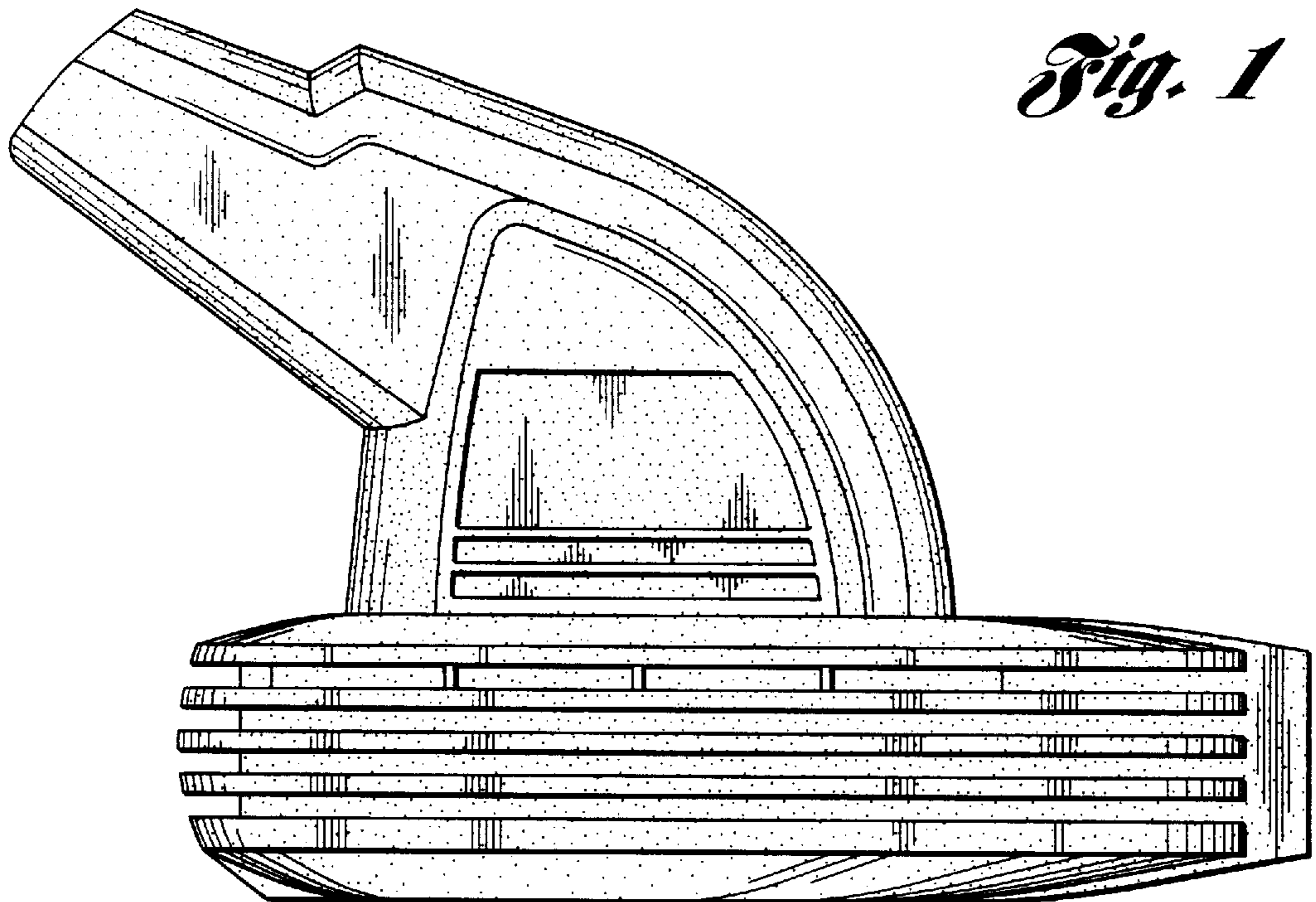


Fig. 1

Fig. 2

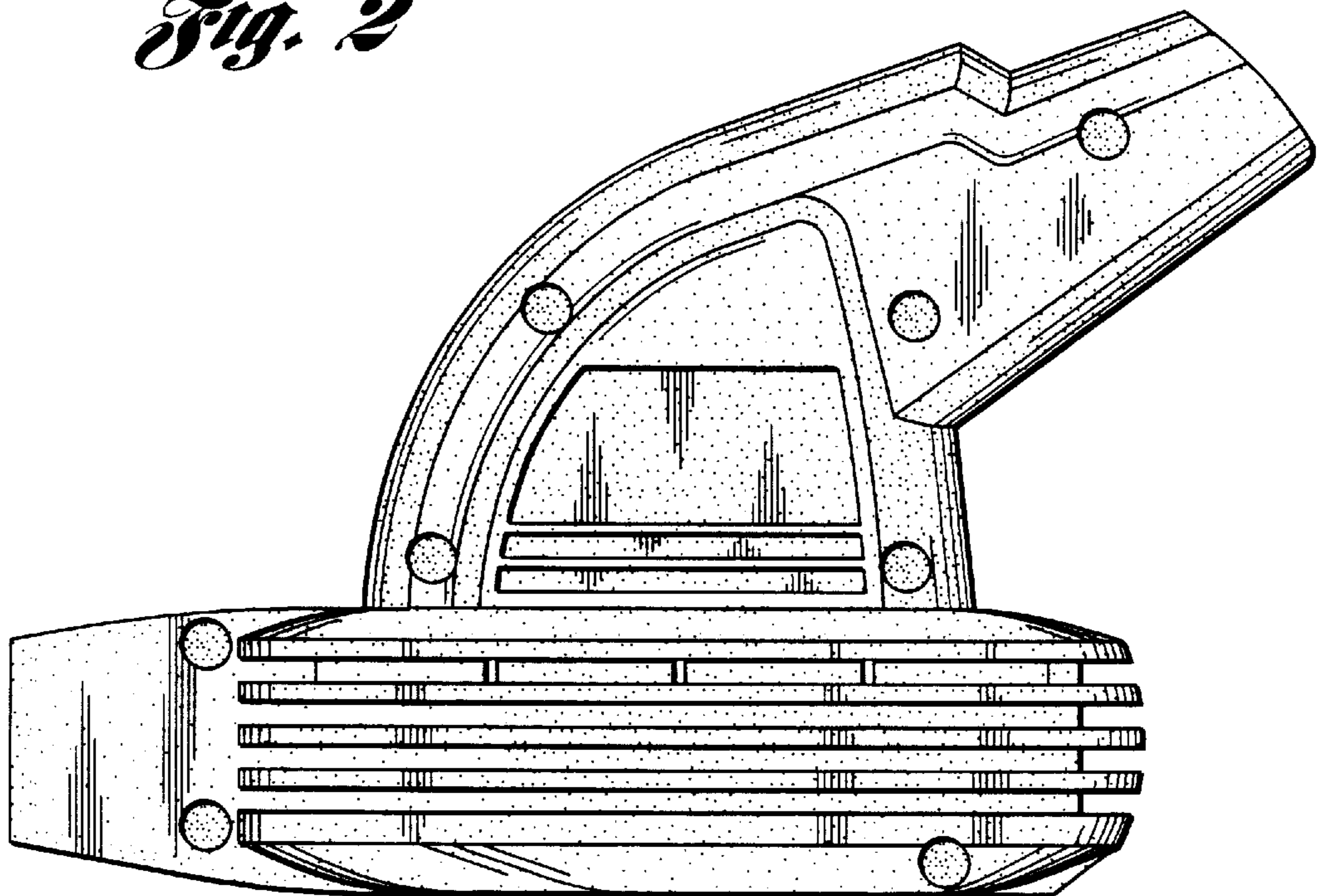


Fig. 3

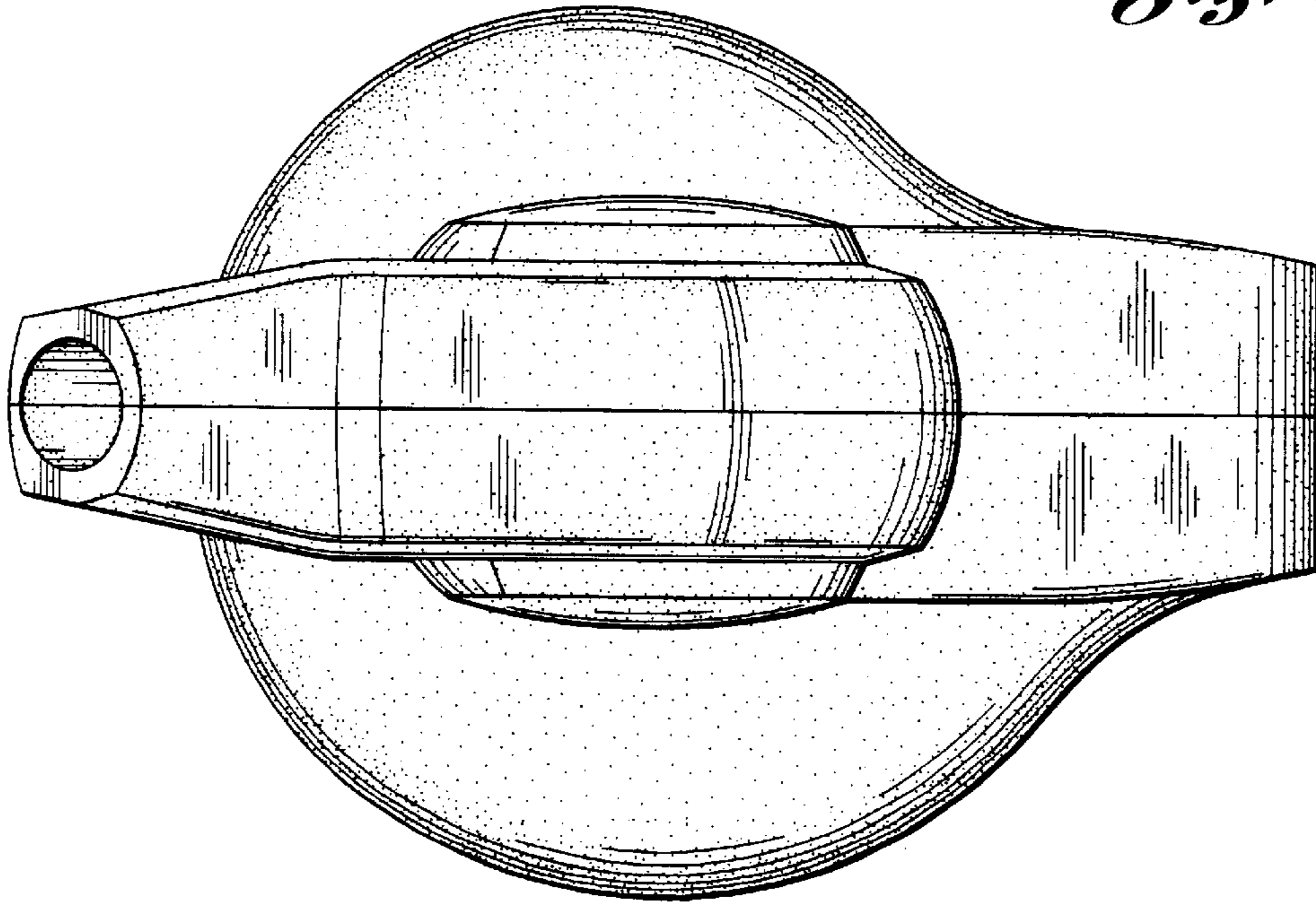


Fig. 4

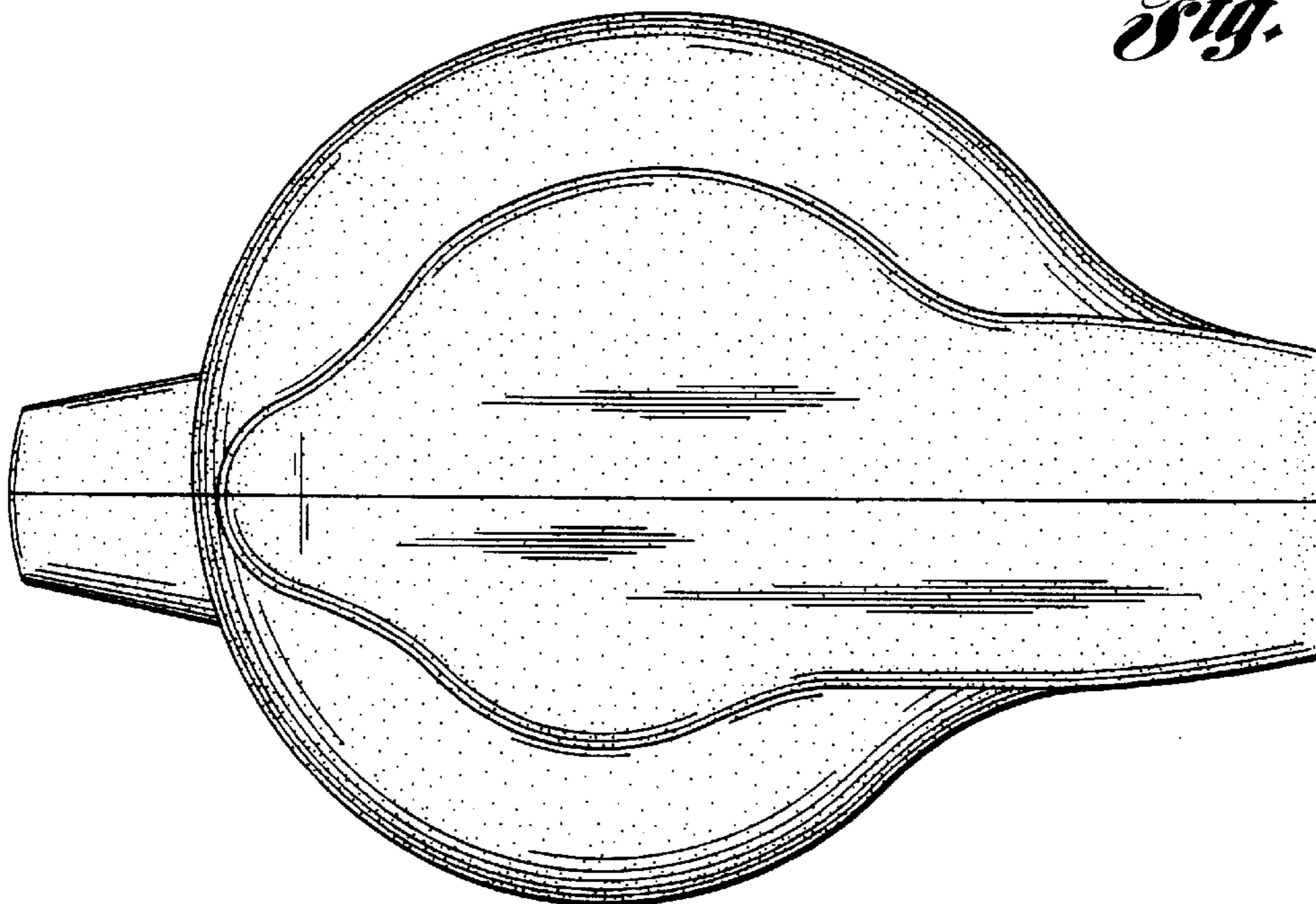


Fig. 5

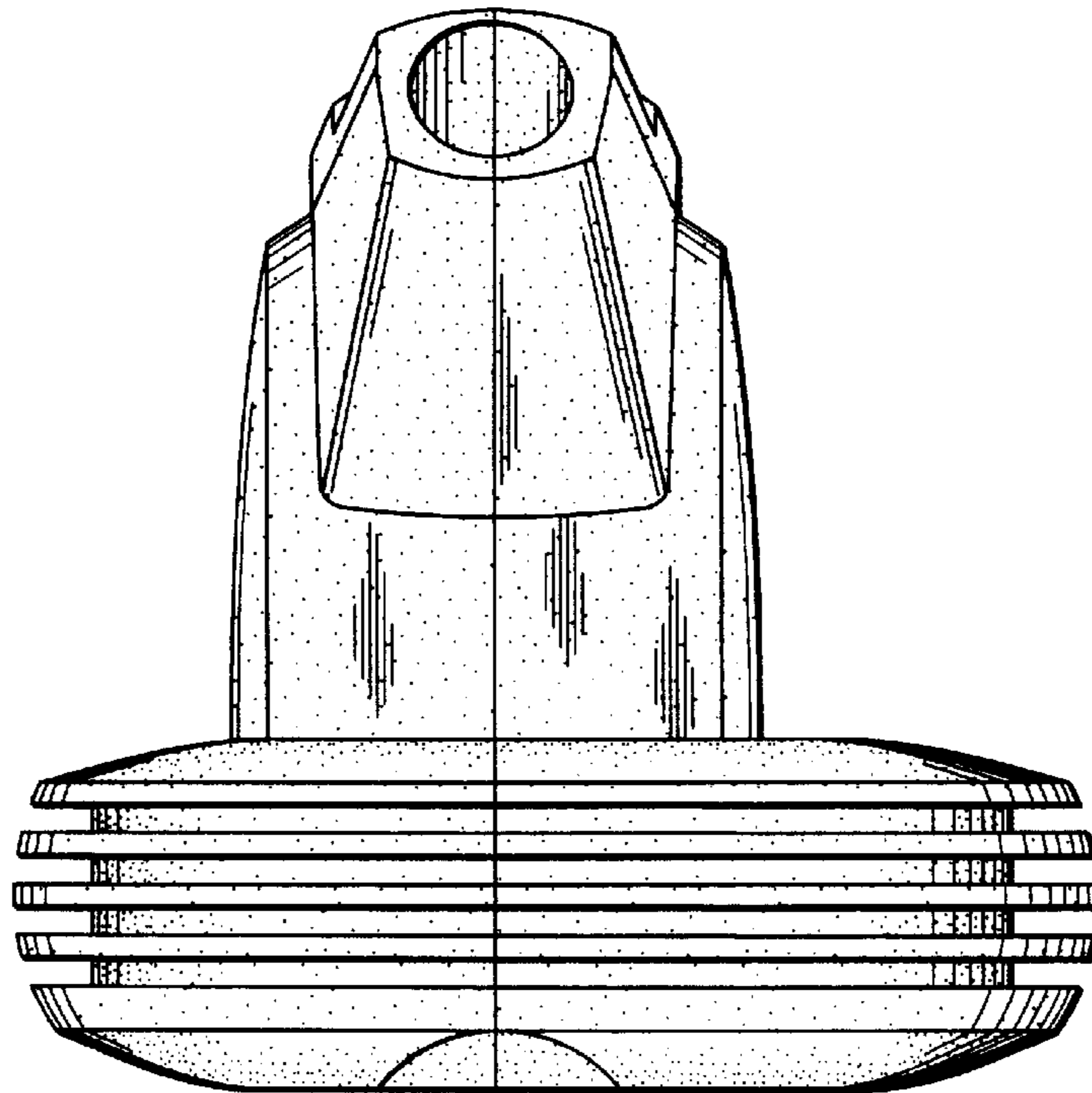
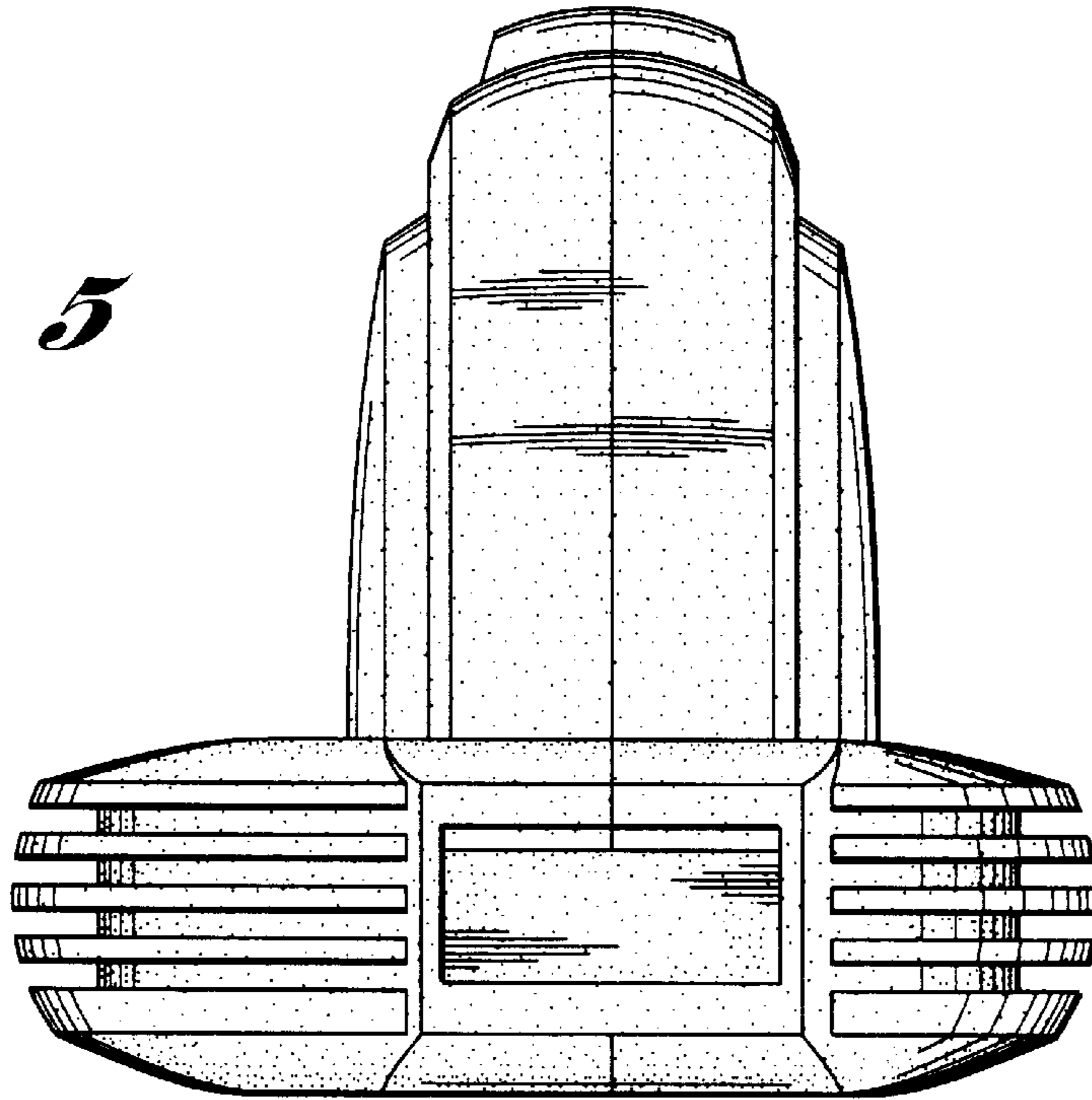


Fig. 6