



US00D421157S

**United States Patent** [19]  
**Logan, Jr.**

[11] **Patent Number: Des. 421,157**

[45] **Date of Patent: \*\* Feb. 22, 2000**

[54] **BIRD HOUSE WITH DIAL**  
[75] Inventor: **Clifford K. Logan, Jr.**, Oklahoma City, Okla.

D. 358,907 5/1995 Spivey ..... D30/110  
D. 370,311 5/1996 Logan, Jr. .... D30/110  
D. 405,559 2/1999 Johnson ..... D30/110

[73] Assignee: **Dial-A-Bird, Inc.**, Oklahoma City, Okla.

**OTHER PUBLICATIONS**

Backyard Birds & Co. 1990–1991, vol. 8—Bird Houses, p. 27.  
Duncraft, Birdhouses, 1978, p. 26.

[\*\*] Term: **14 Years**

*Primary Examiner*—Louis S. Zarfes  
*Assistant Examiner*—Catherine R. Oliver  
*Attorney, Agent, or Firm*—Crowe & Dunlevy

[21] Appl. No.: **29/099,170**

[22] Filed: **Jan. 14, 1999**

[51] **LOC (7) Cl.** ..... **30-02**

[52] **U.S. Cl.** ..... **D30/110**

[58] **Field of Search** ..... D30/108, 110,  
D30/111, 124–128; 119/23, 51.04, 52.3,  
57.8, 87.9, 57.91, 347, 428, 429, 431, 432,  
433, 434; D25/1, 7, 16

[57] **CLAIM**

The ornamental design for a bird house with dial, as shown.

[56] **References Cited**

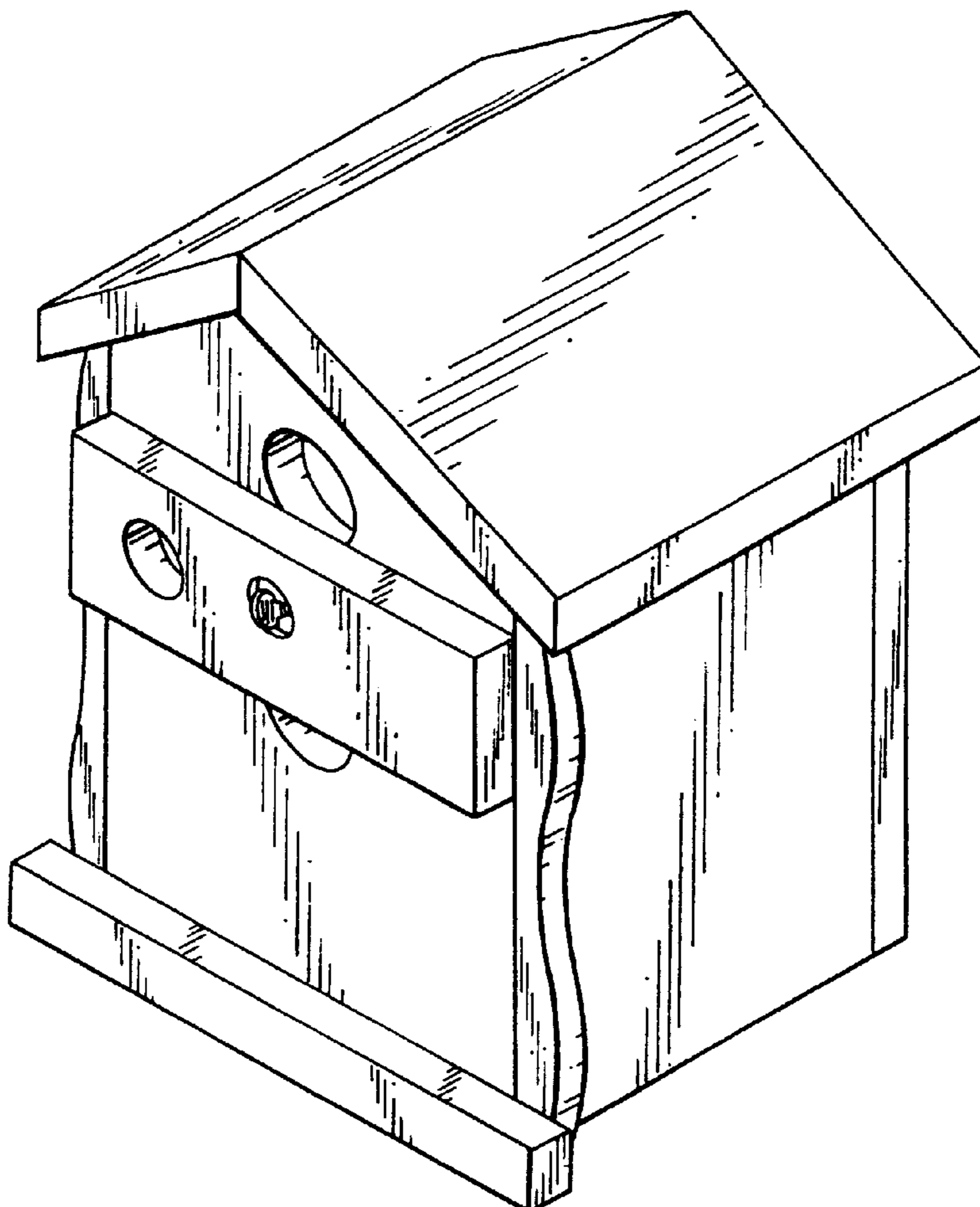
**U.S. PATENT DOCUMENTS**

D. 215,855 11/1969 Henreid ..... D30/110  
D. 269,468 6/1983 Babcock ..... D30/110  
D. 342,349 12/1993 Scheppard ..... D30/110  
D. 349,784 8/1994 Burns et al. .... D30/110

**DESCRIPTION**

FIG. 1 is a perspective view of a bird house with dial showing my new design;  
FIG. 2 is a plan view of the top thereof;  
FIG. 3 is a plan view of the bottom thereof;  
FIG. 4 is an elevational view of the front thereof;  
FIG. 5 is an elevational view of the rear thereof;  
FIG. 6 is an elevational view of one side thereof; and,  
FIG. 7 is an elevational view of the other side thereof.

**1 Claim, 2 Drawing Sheets**



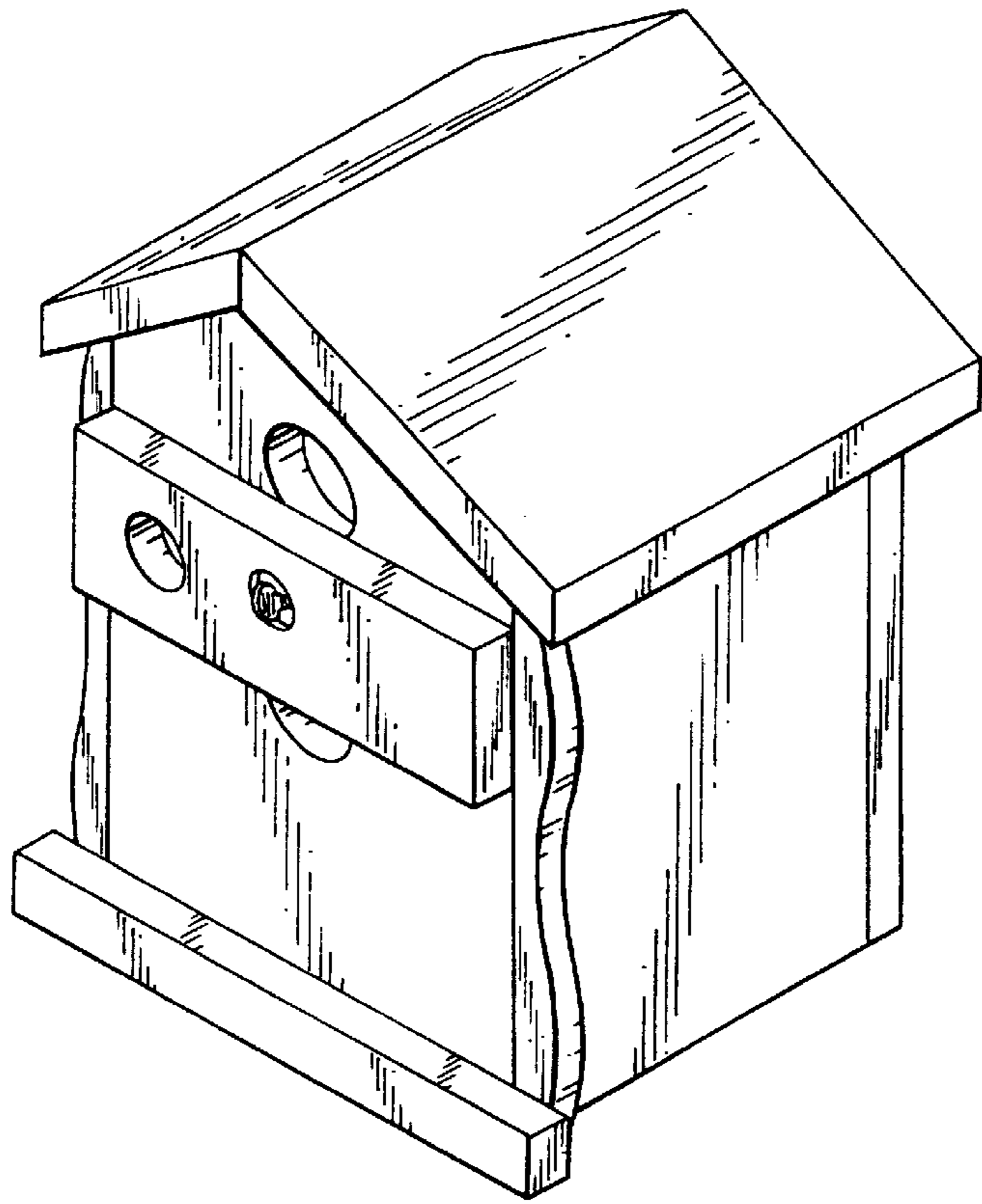


FIG. 1

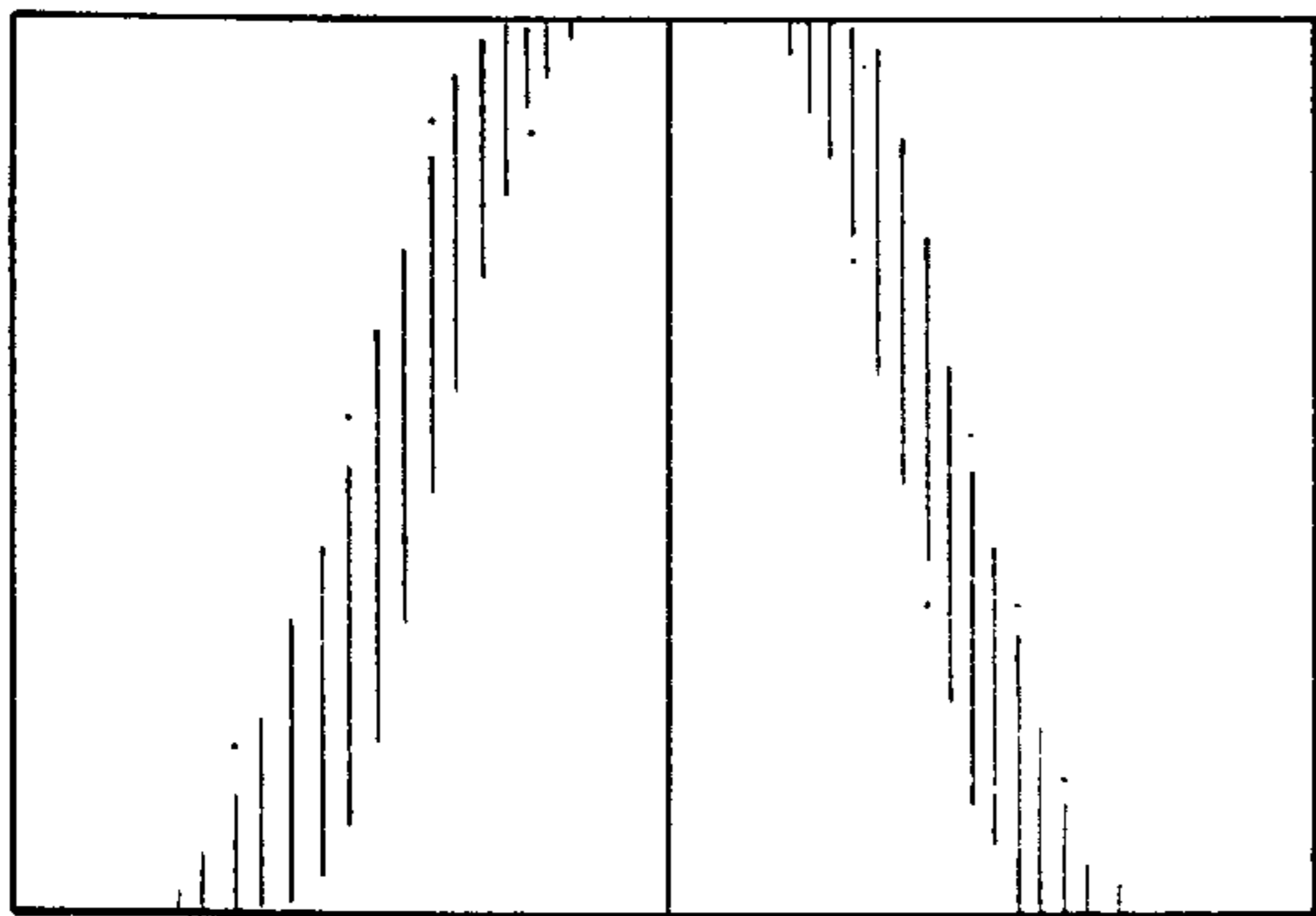


FIG. 2

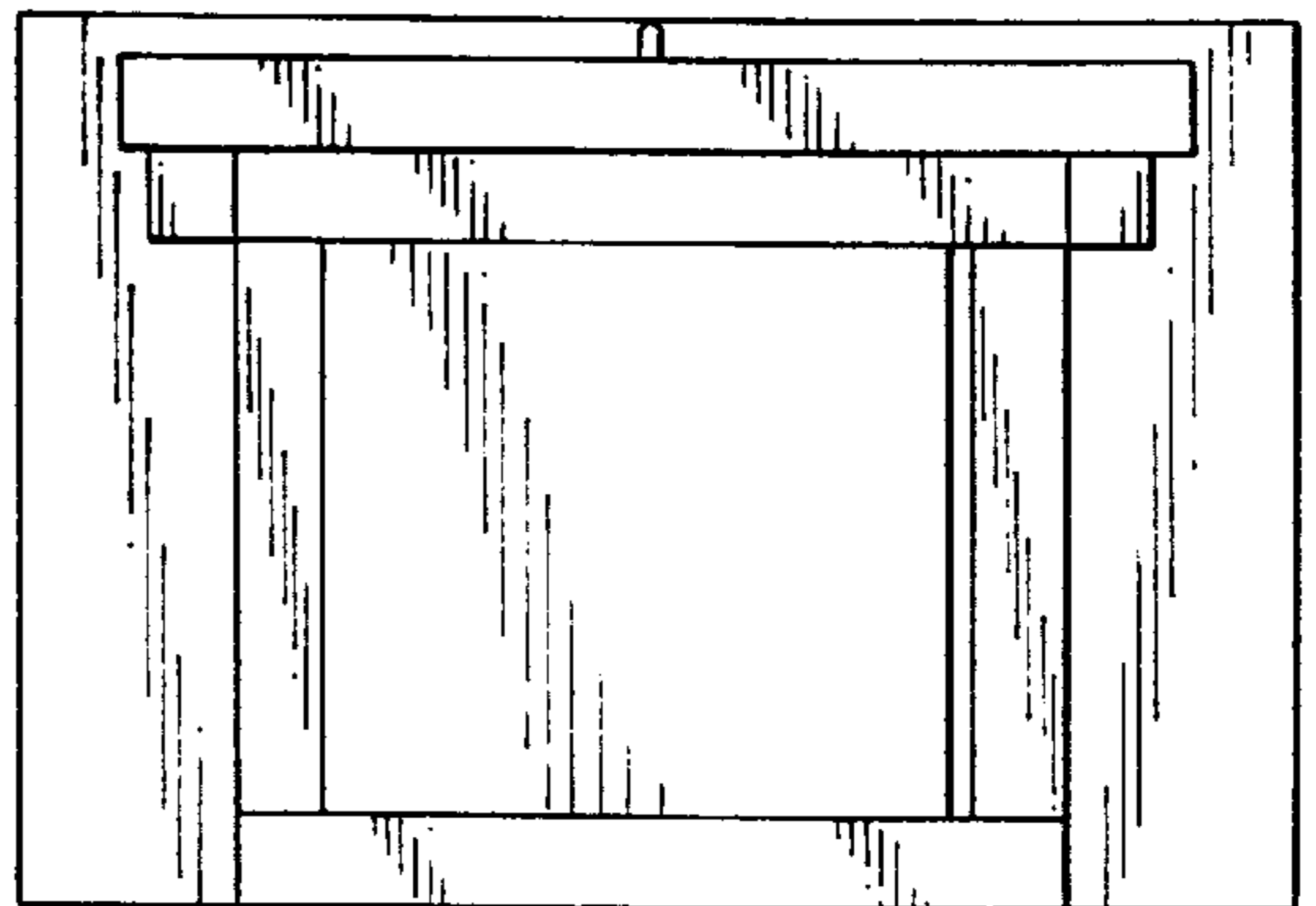


FIG. 3

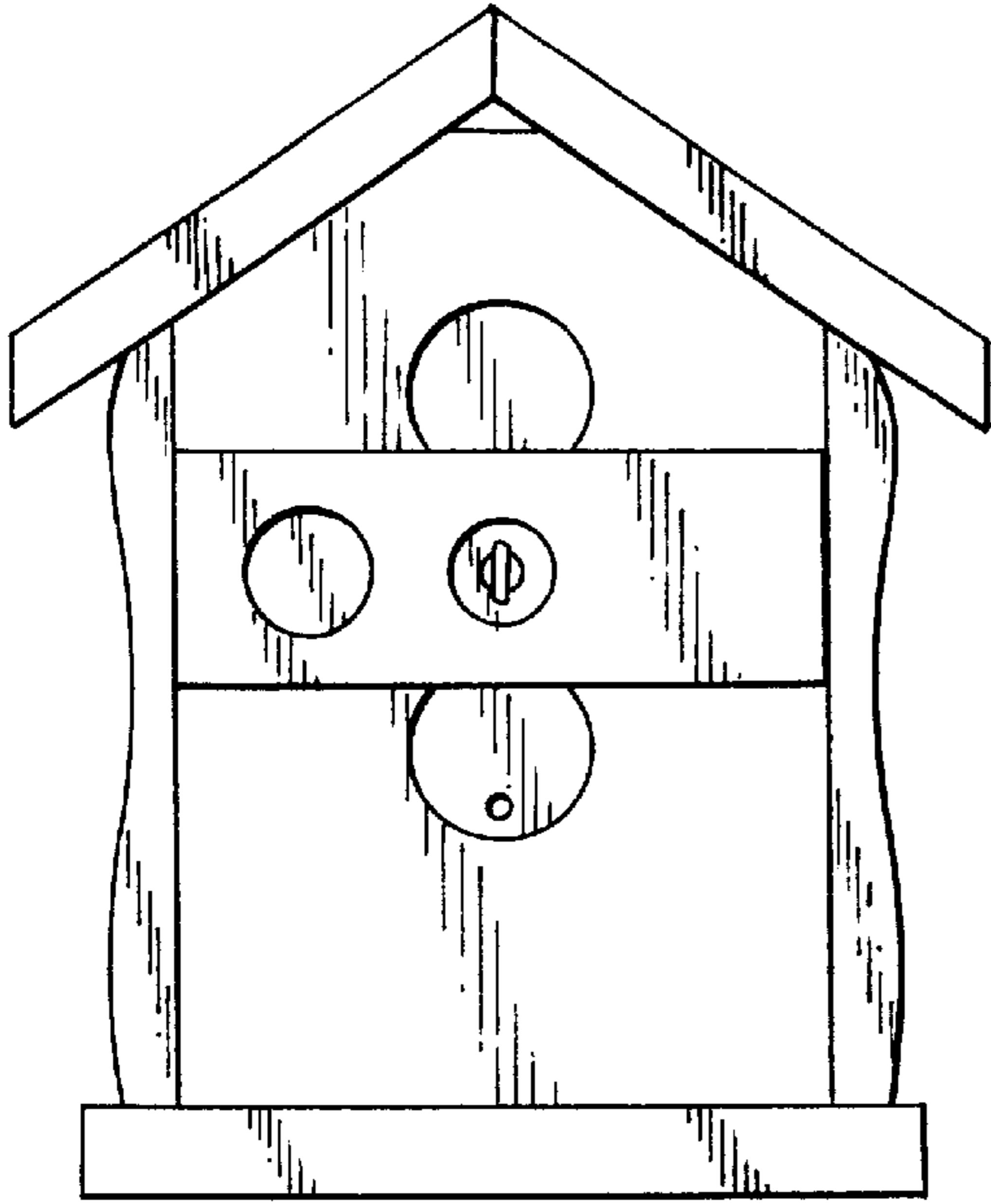


FIG. 4

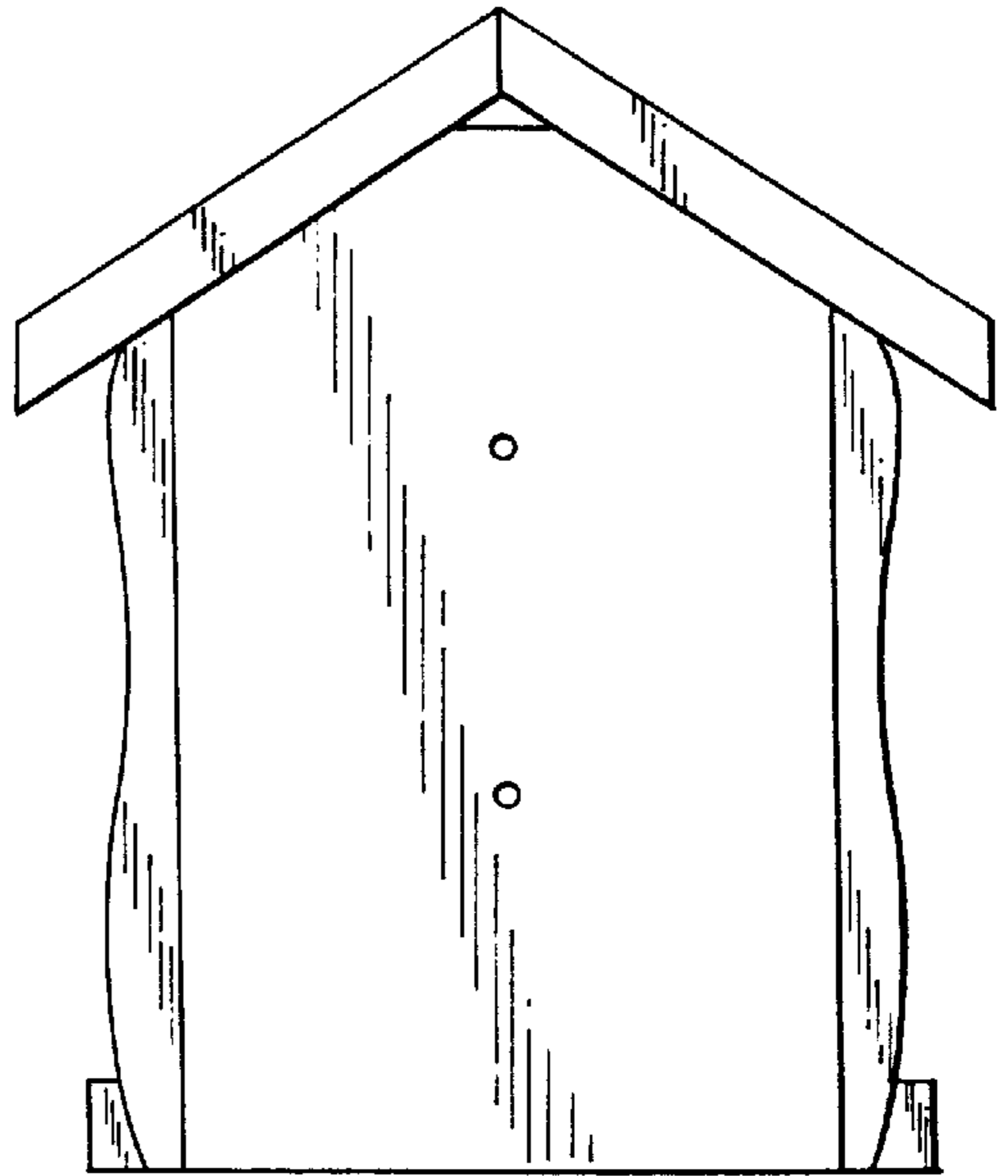


FIG. 5

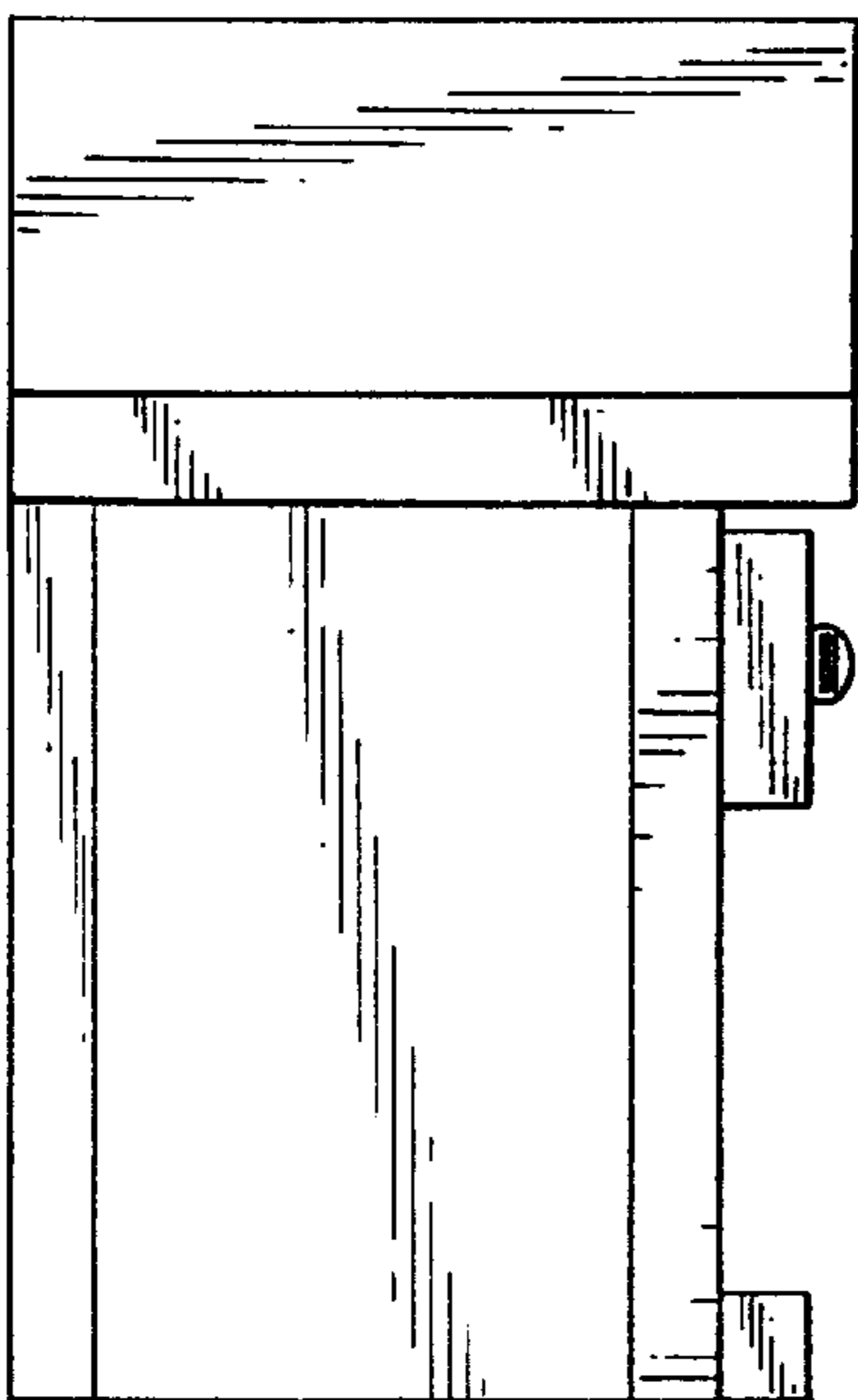


FIG. 6

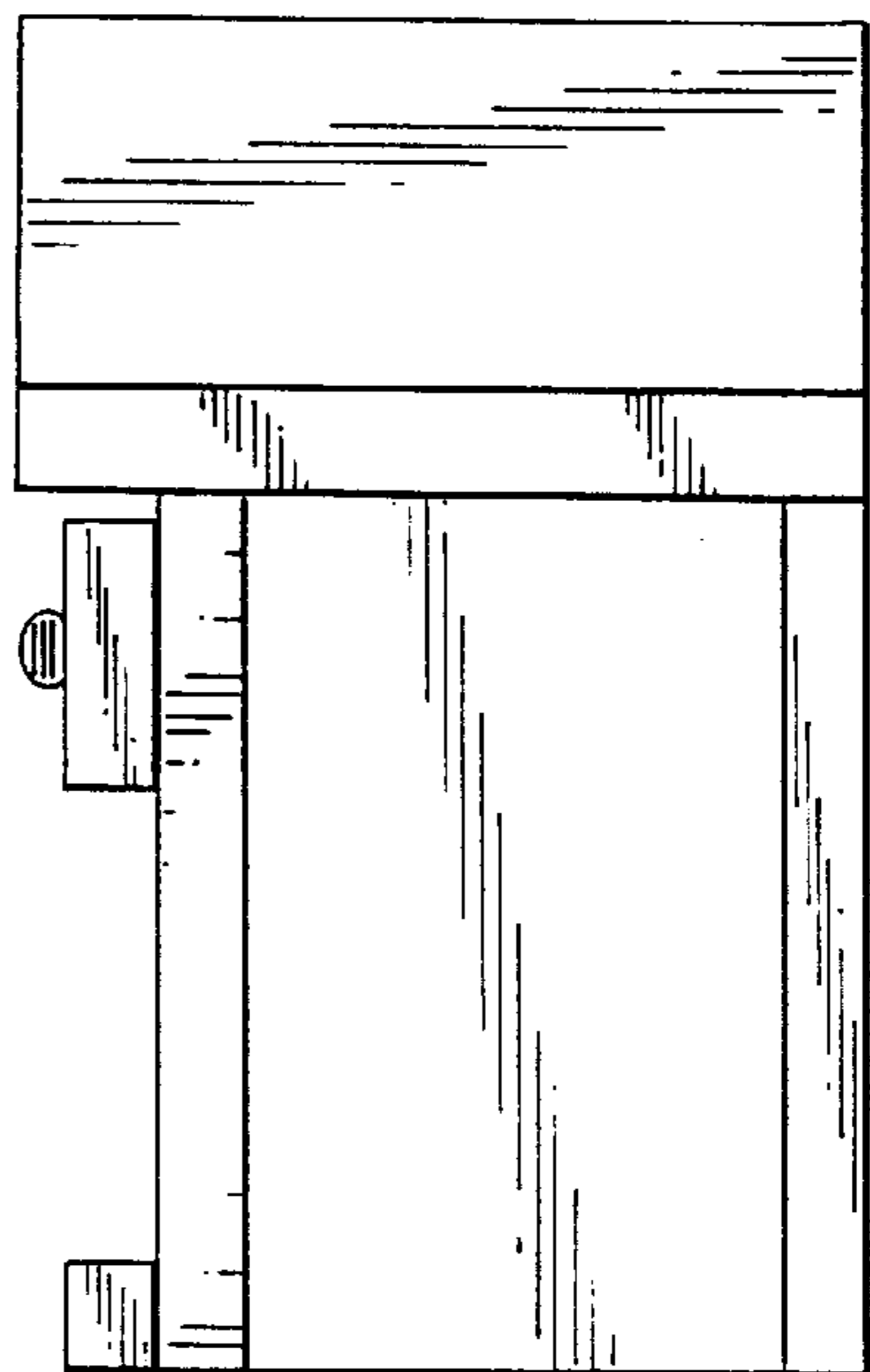


FIG. 7