



US00D421156S

United States Patent [19]

[11] **Patent Number: Des. 421,156**

Coates et al.

[45] **Date of Patent: ** Feb. 22, 2000**

[54] **COSMETIC CONTAINER WITH COLOR CHIP**

5,257,704 11/1993 Gutt 215/246
5,860,755 1/1999 Bunk 401/52

[75] Inventors: **Thomas Jefferson Coates**, New York, N.Y.; **Douglas Brian Silady**, Edison, N.J.

FOREIGN PATENT DOCUMENTS

593/93 9/1993 Finland 28/2

[73] Assignee: **Revlon Consumer Products Corporation**, New York, N.Y.

OTHER PUBLICATIONS

Beauty Fashion May 1985, p. 38: lipstick case shown by arrow.

[*] Notice: This patent is subject to a terminal disclaimer.

Avon C-3, Jan. 1989, p. 33 "Natural Radiance Blush Stick".
Glamour Sep. 1994, p. 33—Revlon lipstick case.

[**] Term: **14 Years**

Beauty Boutique Winter 1995, p. 76: Lipstick case on lower left.

[21] Appl. No.: **29/098,457**

Beauty Boutique Spring 1995, p. 36—Glid On Markup Stick.

[22] Filed: **Dec. 30, 1998**

Hong Kong Enterprise Oct. 1995, p. 790—item Nos. LM-505, LM-506, LM-507 and LP-503G.

[51] **LOC (7) Cl.** **28-03**

Primary Examiner—Ted Shooman

[52] **U.S. Cl.** **D28/76; D28/89**

Assistant Examiner—C. Tuttle

[58] **Field of Search** D28/77, 76, 85-91;
D9/502, 503, 504, 557; 132/317, 318, 320;
401/55, 61-98

Attorney, Agent, or Firm—Julie Blackburn

[57] CLAIM

[56] References Cited

The ornamental design for a cosmetic container with color chip, as shown and described.

U.S. PATENT DOCUMENTS

DESCRIPTION

D. 72,864	6/1927	Marcus .	
D. 87,712	9/1932	Conner	D9/502
D. 141,278	5/1945	Frederics	D28/85
D. 153,859	5/1949	Crane	D28/85
D. 159,090	6/1950	Neuschaefer	D28/85
D. 185,321	5/1959	Schlumberger et al. .	
D. 185,336	5/1959	Wolff .	
D. 185,339	5/1959	Wolff .	
D. 244,318	5/1977	Drysdale	D28/89
D. 271,337	11/1983	Holloway	D28/85
D. 272,952	3/1984	Holloway	D28/89
D. 275,040	8/1984	Holloway	D28/76
D. 298,472	11/1988	Simonetti	D28/85
D. 310,275	8/1990	Su	D28/76
D. 360,829	8/1995	Leeds	D9/502
D. 364,486	11/1995	Tsai	D28/88
D. 365,759	1/1996	Otani et al.	D9/504
D. 383,980	9/1997	Abfier et al.	D9/502
2,309,861	2/1943	Mureau	401/174

FIG. 1 is a front perspective view of the container in the closed position showing the color chip on the top surface; FIG. 2 is a front view of the container in the closed position; FIG. 3 is a top plan view of the container in the closed position showing the color chip; FIG. 4 is a bottom plan view of the container in the closed position; FIG. 5 is an exploded front perspective view of the design; FIG. 6 is a side view of FIG. 5; FIG. 7 is a plan view seen in the direction of arrows '7' in FIG. 5; and, FIG. 8 is a plan view seen in the direction of arrows '8' in FIG. 5.

The rear view of the design is identical to the front views show in FIGS. 2 and 6.

1 Claim, 2 Drawing Sheets

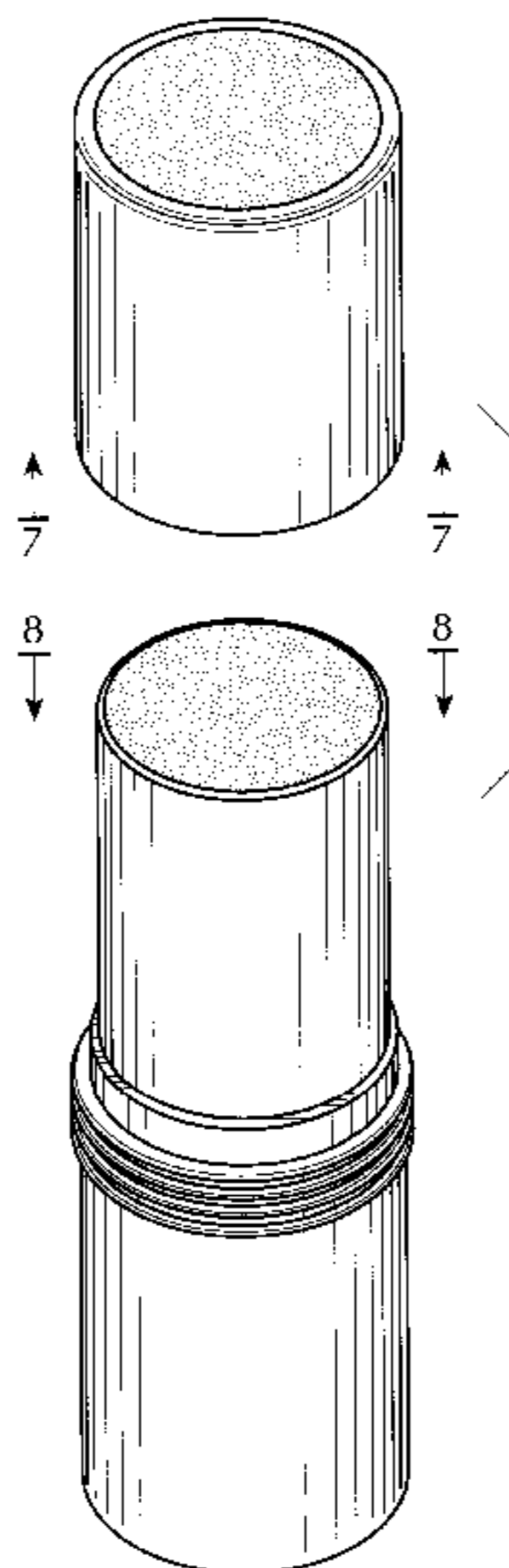


FIG. 1

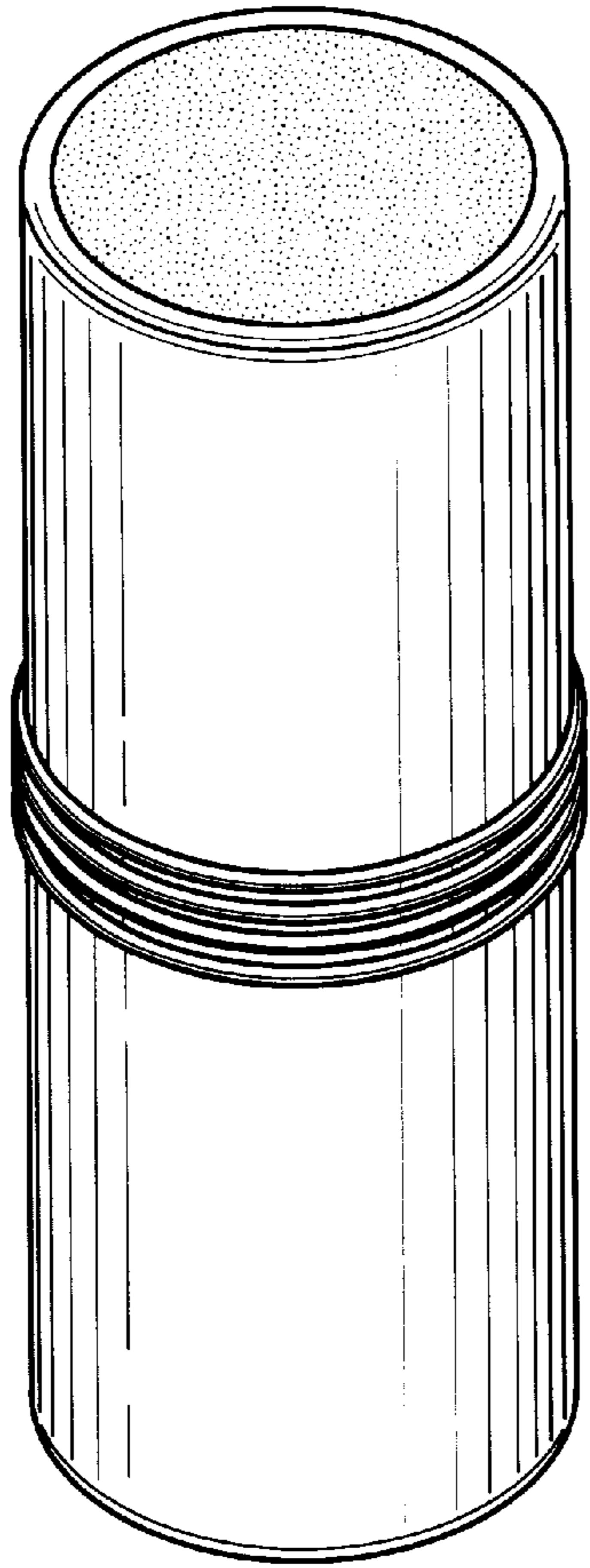


FIG. 2

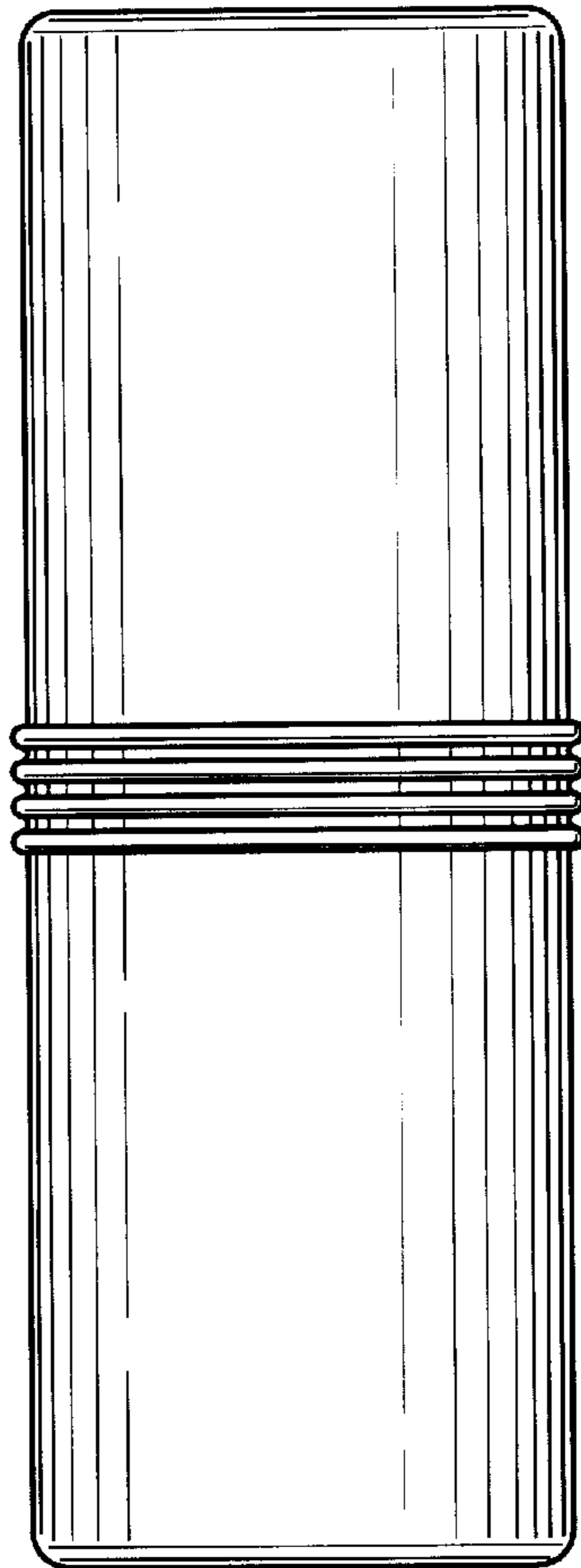


FIG. 3

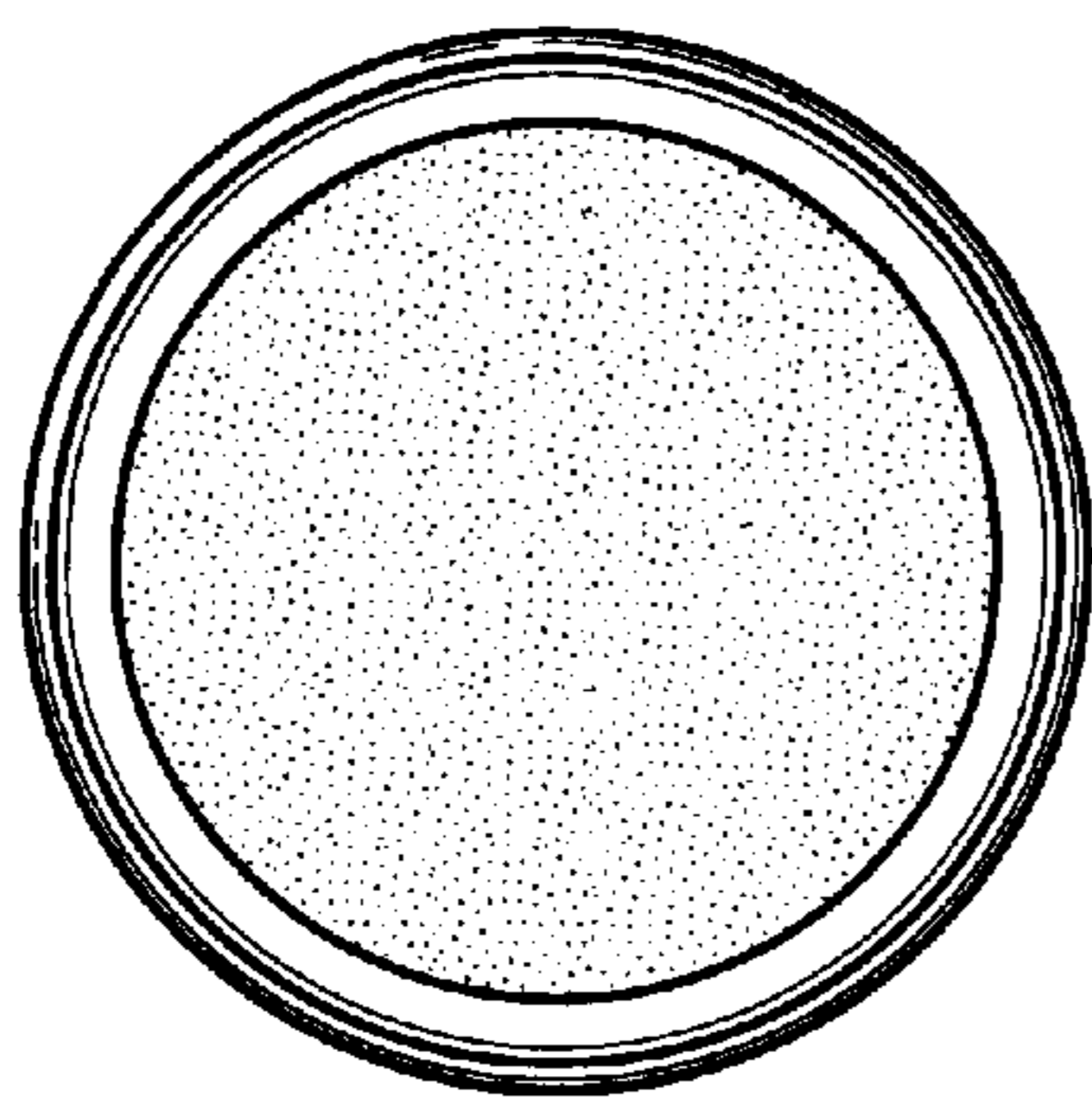


FIG. 4

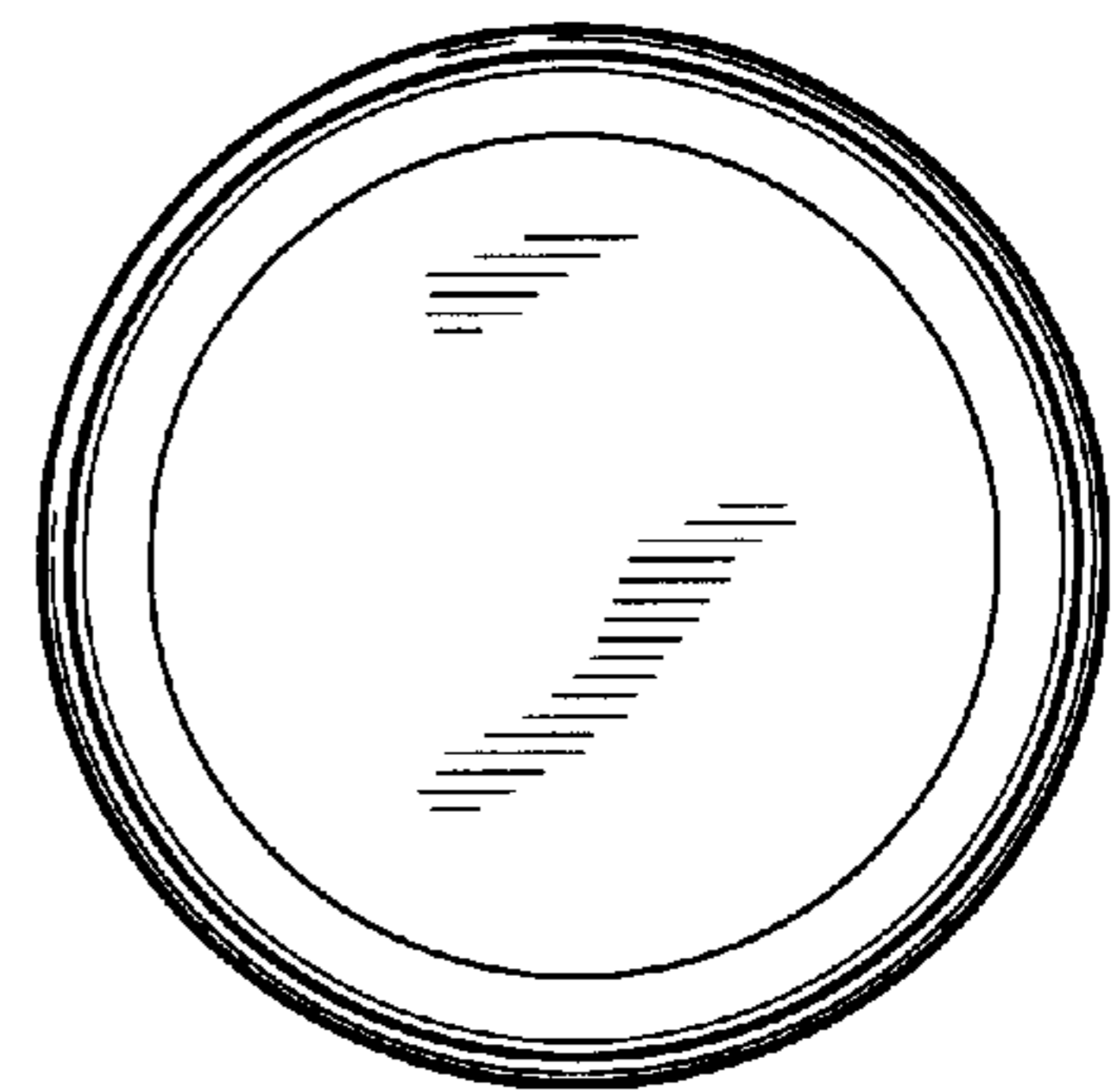


FIG. 5

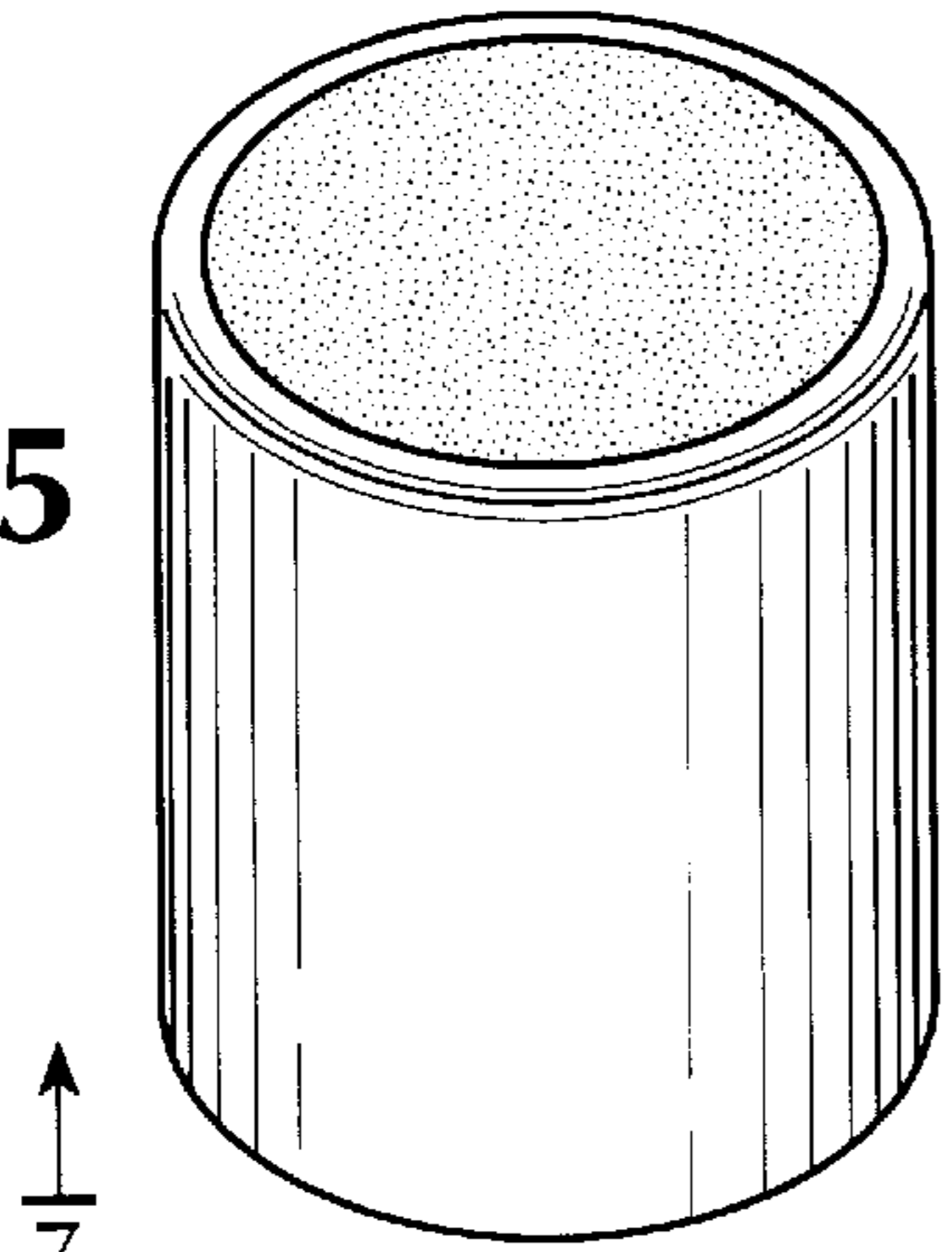


FIG. 6

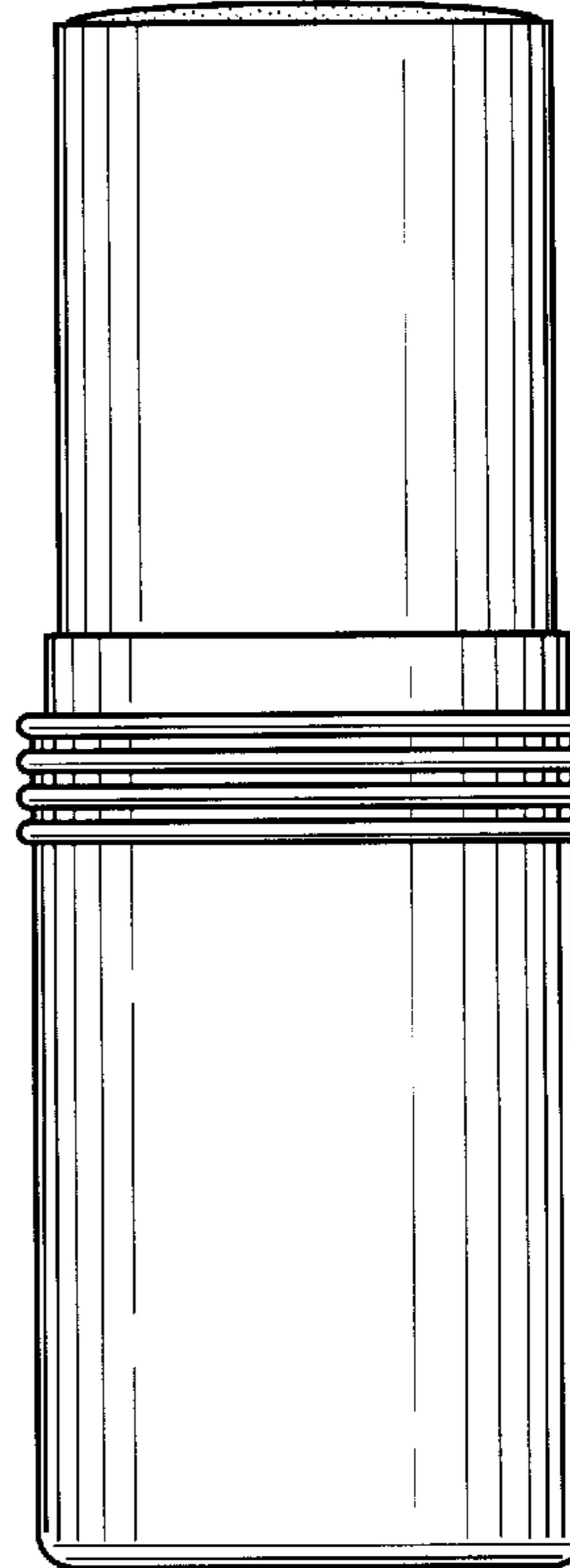
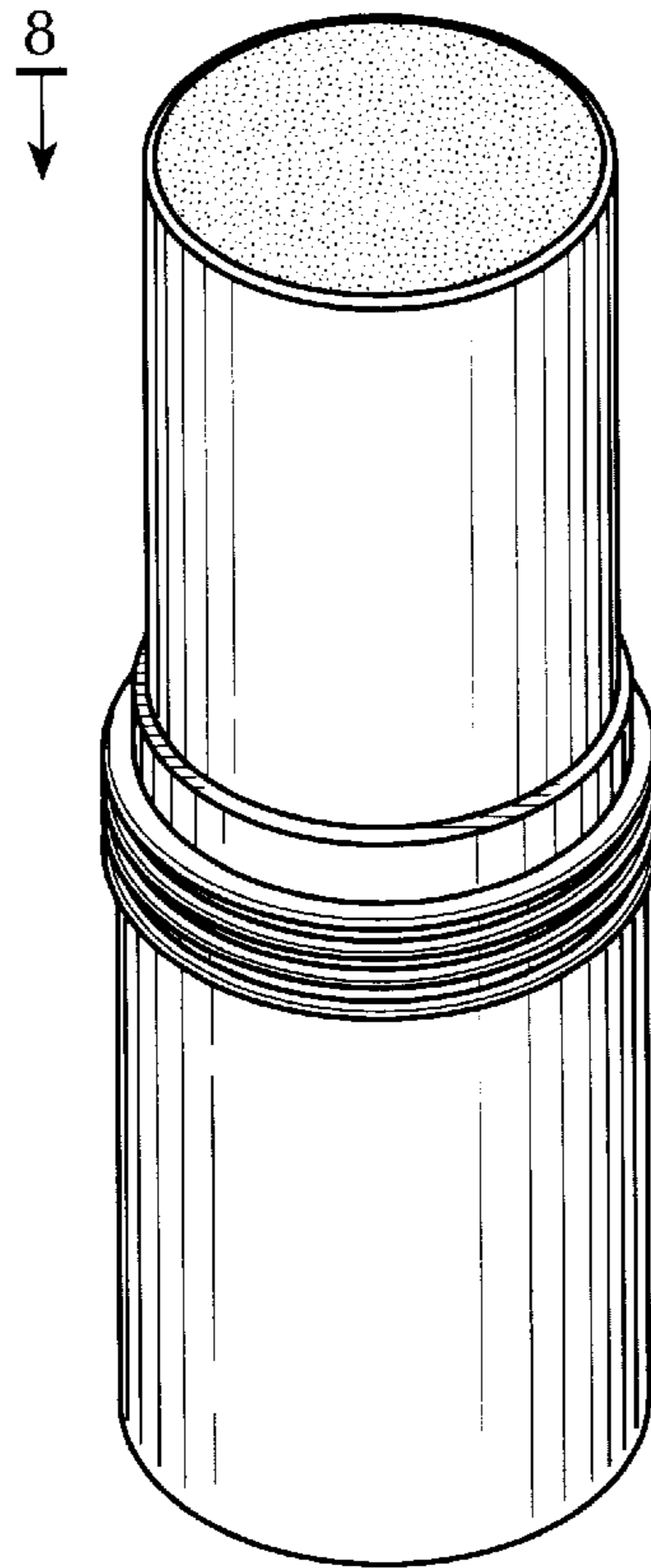
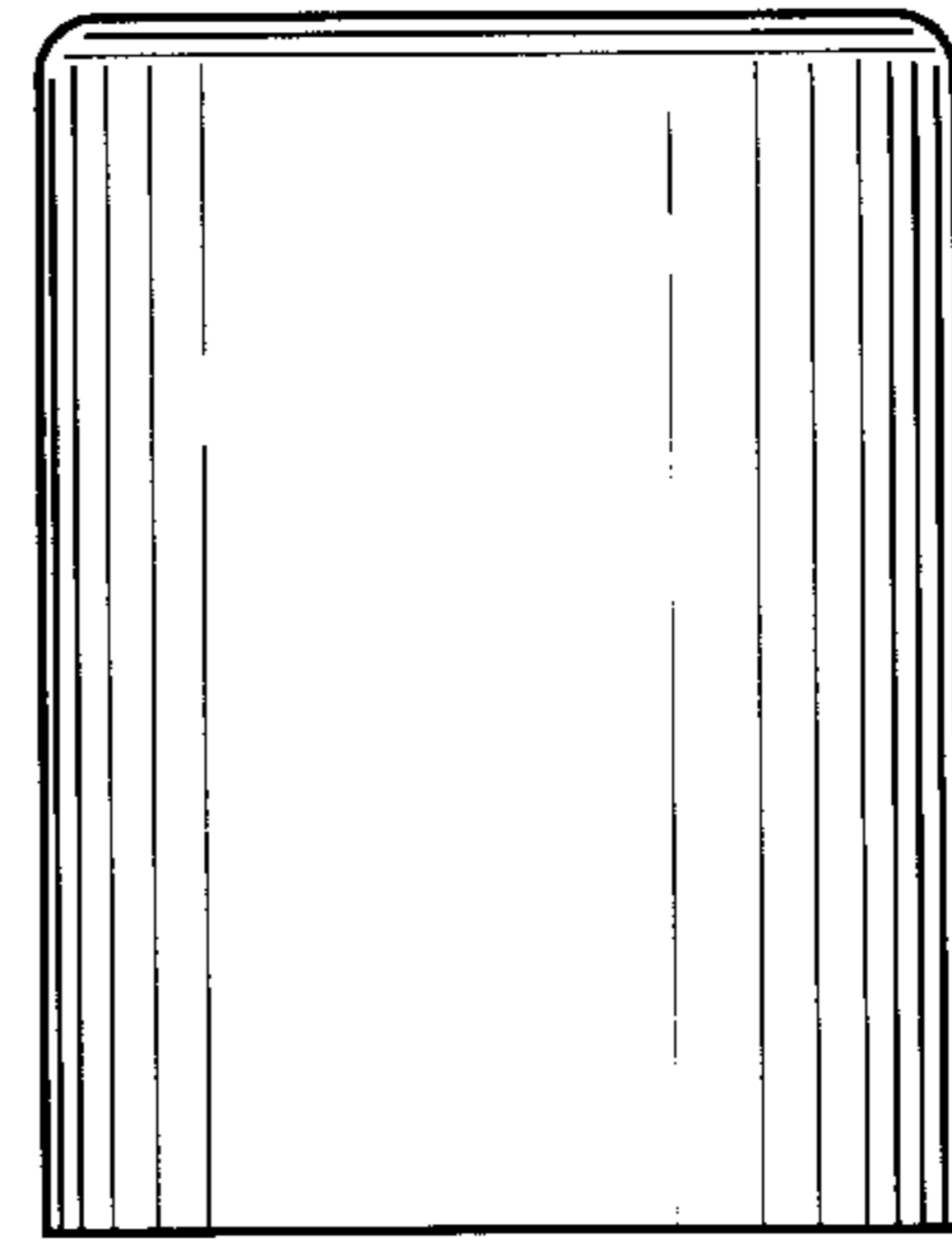


FIG. 7

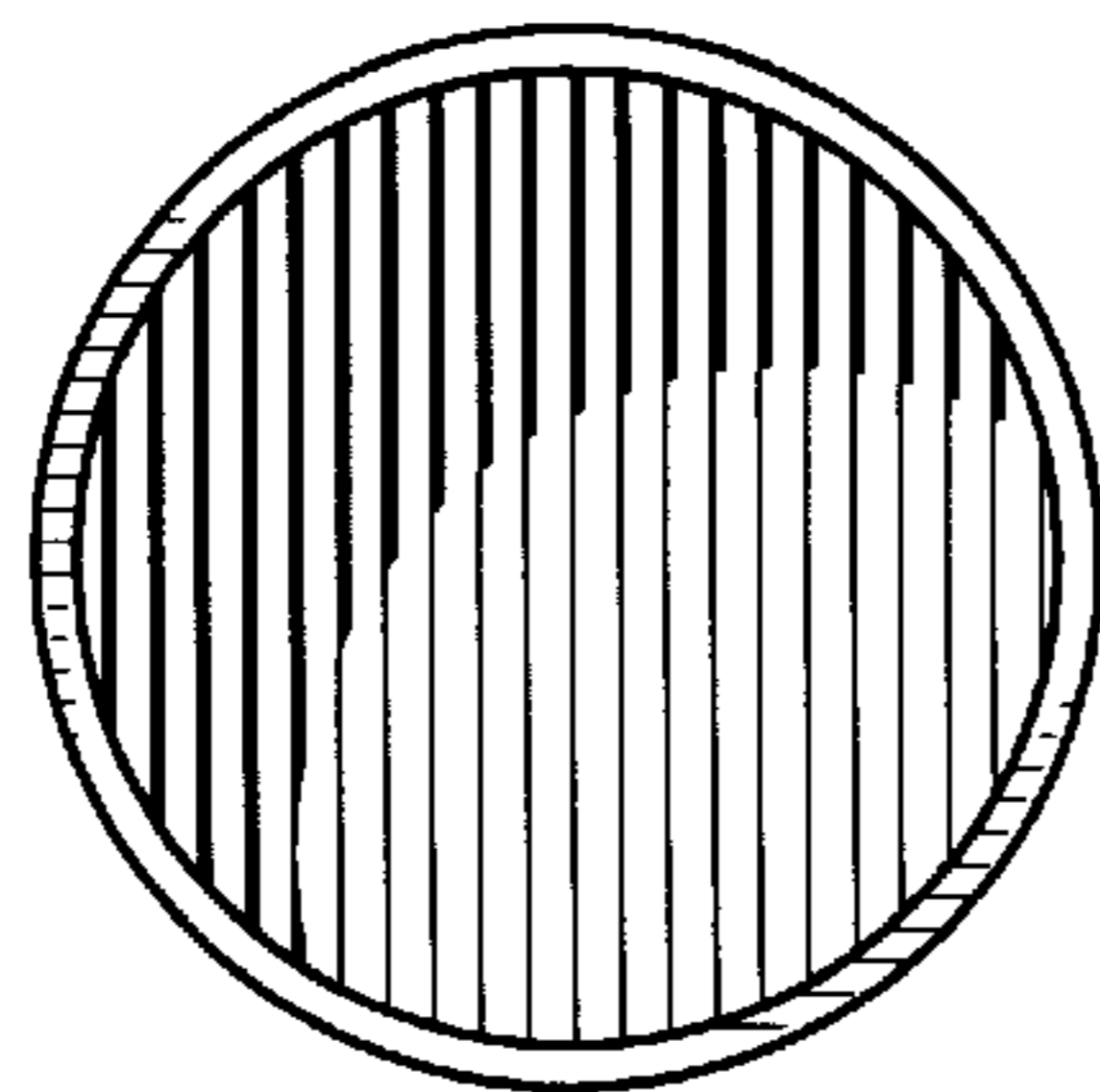


FIG. 8

