



US00D421145S

United States Patent [19]
Man

[11] **Patent Number: Des. 421,145**

[45] **Date of Patent: ** Feb. 22, 2000**

[54] **FLASHLIGHT**

[75] **Inventor: Wai Chi Man**, Jardin's Lookout, The Hong Kong Special Administrative Region of the People's Republic of China

[73] **Assignee: Stax Ltd.**, Kowloon, The Hong Kong Special Administrative Region of the People's Republic of China

[**] **Term: 14 Years**

[21] **Appl. No.: 29/104,647**

[22] **Filed: May 10, 1999**

[51] **LOC (7) Cl. 26-02**

[52] **U.S. Cl. D26/49**

[58] **Field of Search** D26/37-50; 362/157, 362/158, 171, 172, 178, 181, 183, 191-208

[56] **References Cited**

U.S. PATENT DOCUMENTS

- D. 363,564 10/1995 Kish et al. D26/49
- D. 407,514 3/1999 Yuen D26/49
- D. 408,090 4/1999 Monteleone et al. D26/49

Primary Examiner—Marcus A. Jackson
Attorney, Agent, or Firm—Ladas & Parry

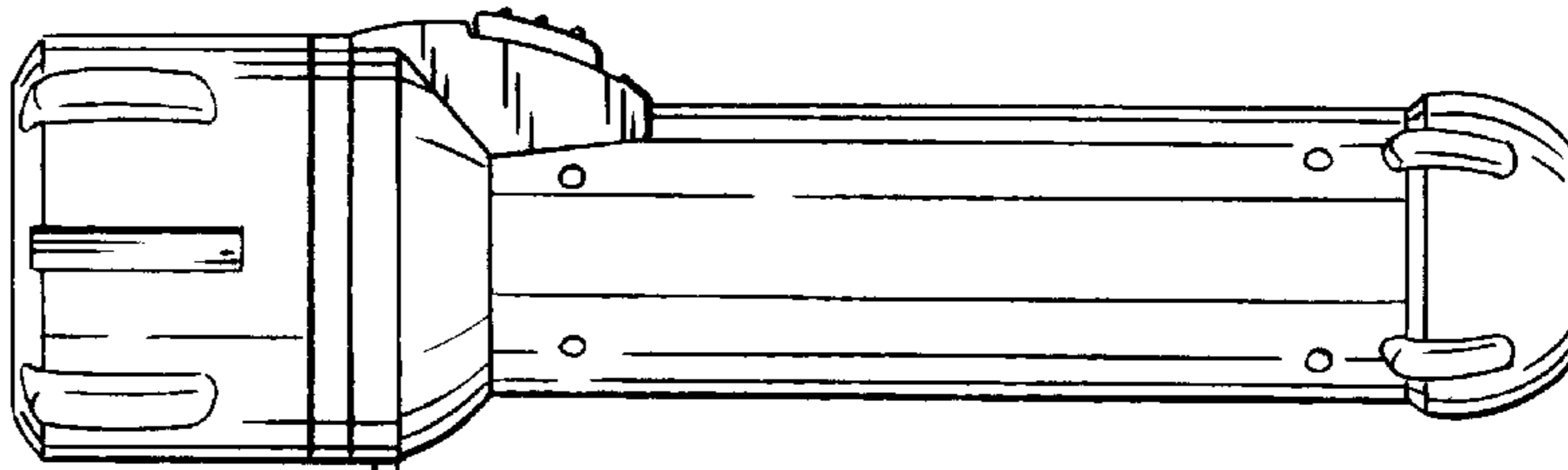
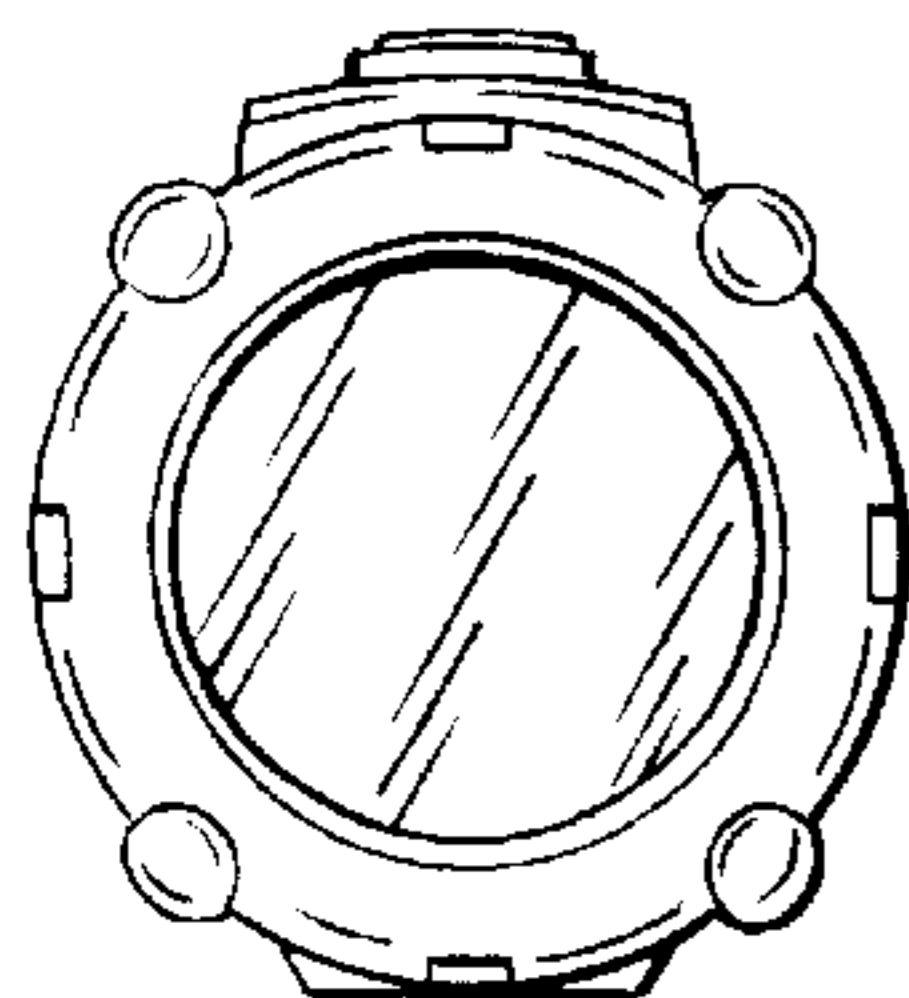
[57] **CLAIM**

The ornamental design for a flashlight, as shown and described.

DESCRIPTION

FIG. 1 is a front elevational view of a first embodiment of my design of a flashlight thereof;
 FIG. 2 is a rear elevational view thereof;
 FIG. 3 is a right side view thereof, the left side view being a mirror image thereof;
 FIG. 4 is a top view thereof;
 FIG. 5 is a bottom view thereof;
 FIG. 6 is a front elevational view of a second embodiment of my new design of a flashlight thereof;
 FIG. 7 is a rear elevational view thereof;
 FIG. 8 is a right side view thereof, the left side view being a mirror image thereof;
 FIG. 9 is a bottom view thereof;
 FIG. 10 is a top view thereof;
 FIG. 11 is a front elevational view of a third embodiment of my design of a flashlight thereof;
 FIG. 12 is a rear elevational view thereof;
 FIG. 13 is a right side view thereof; the left side view being a mirror image thereof;
 FIG. 14 is a top view thereof; and,
 FIG. 15 is a bottom view thereof.

1 Claim, 4 Drawing Sheets



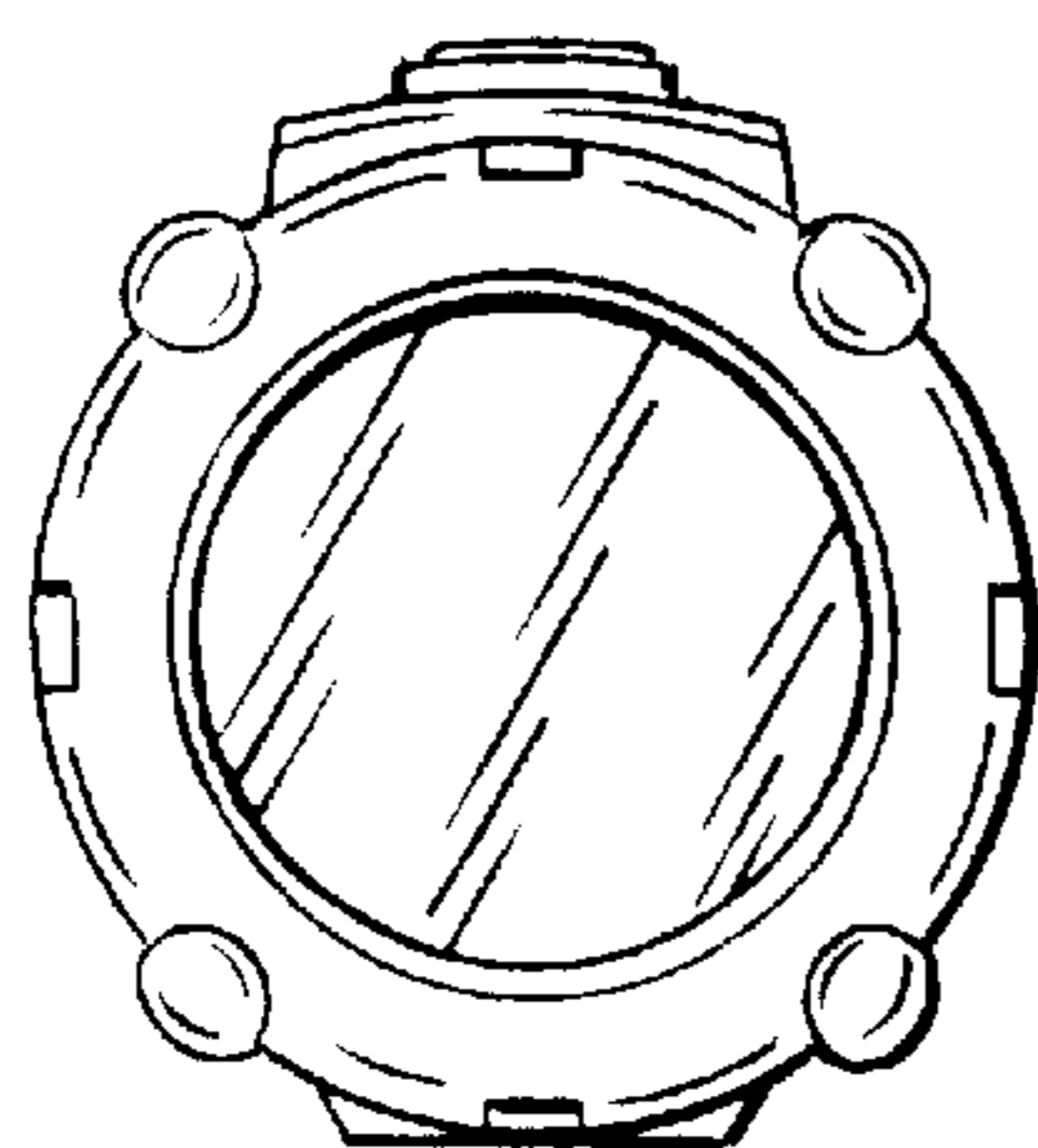


FIG. 1

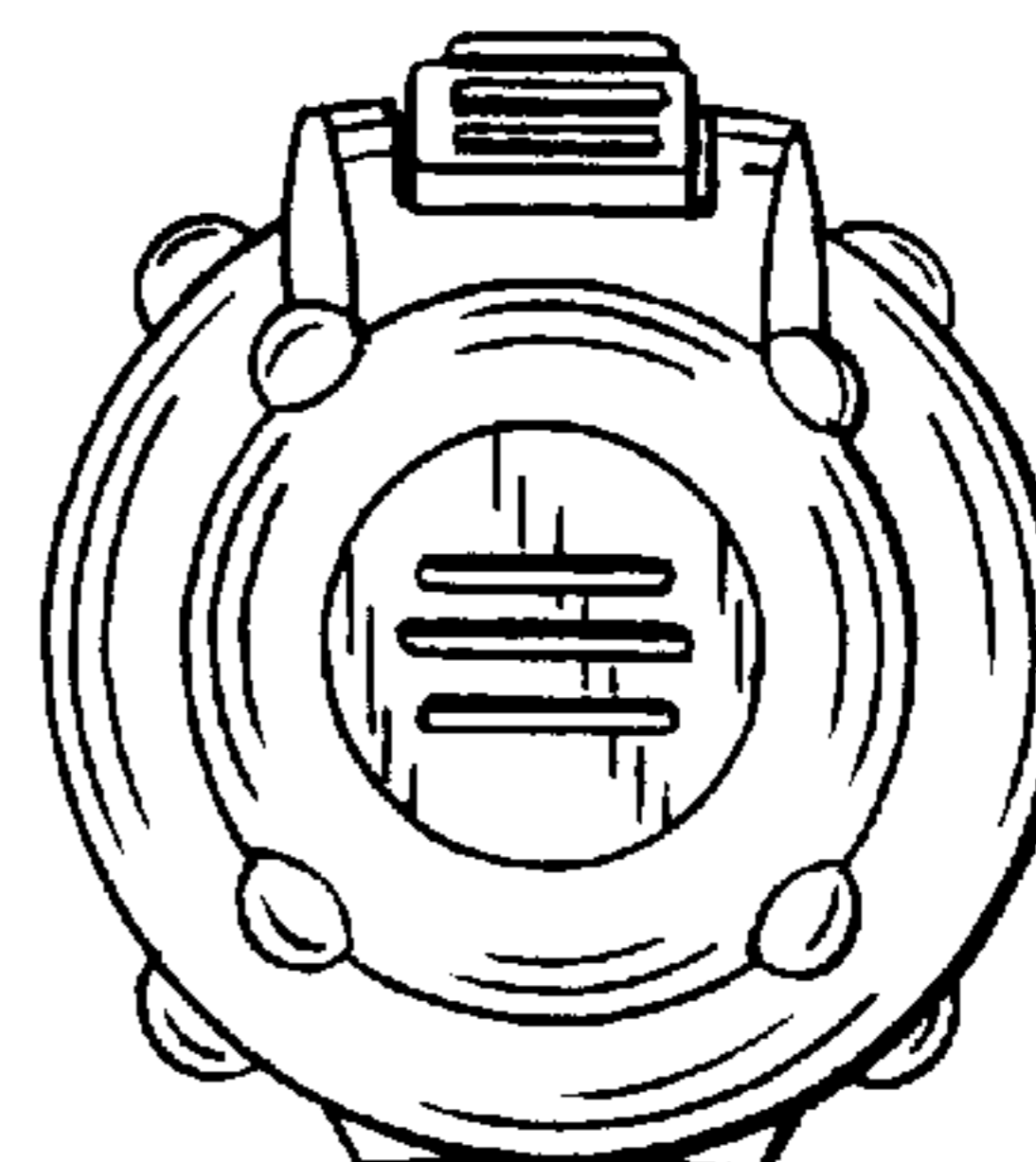


FIG. 2

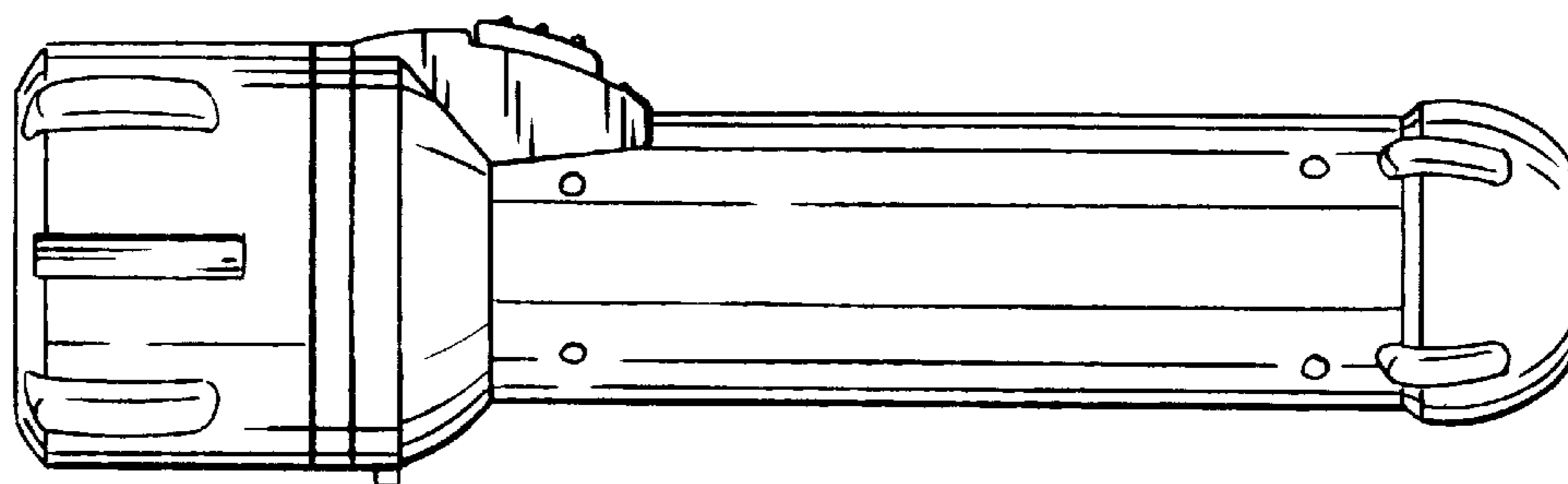


FIG. 3

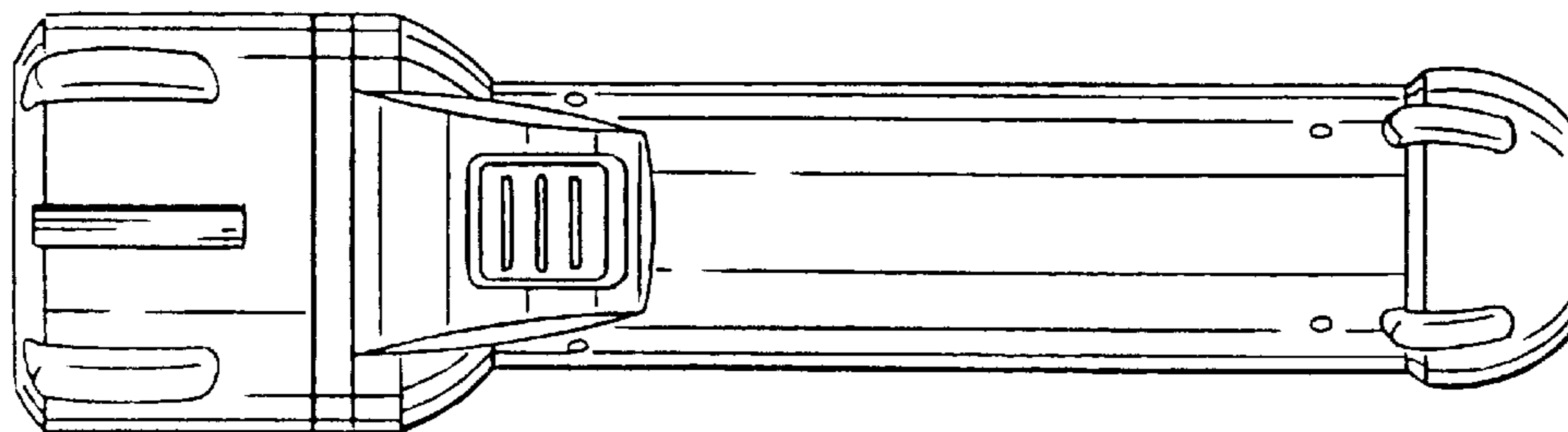


FIG. 4

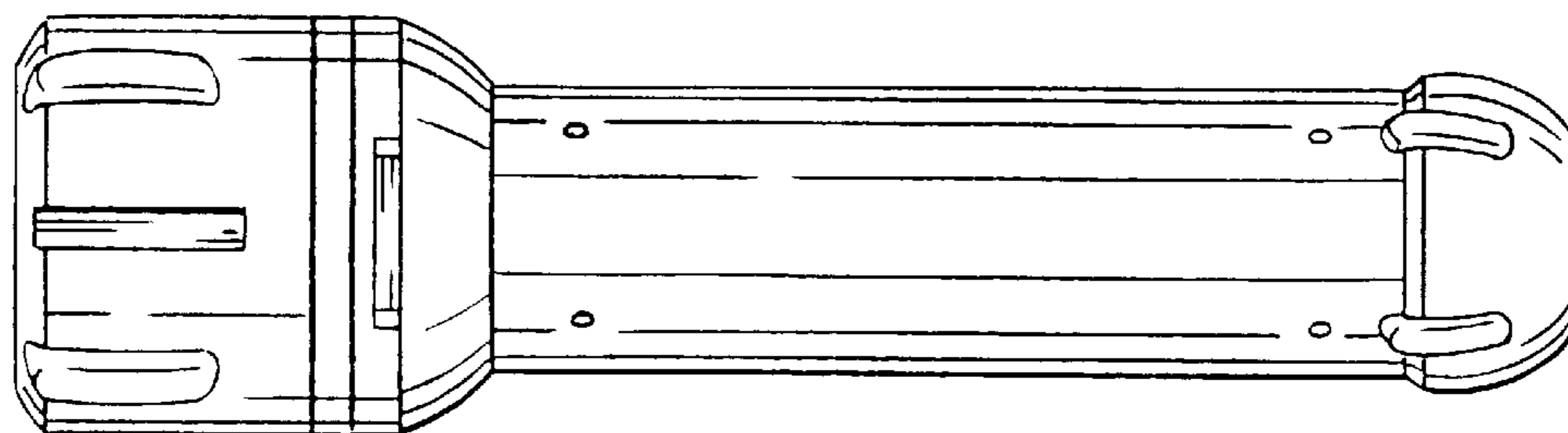


FIG. 5

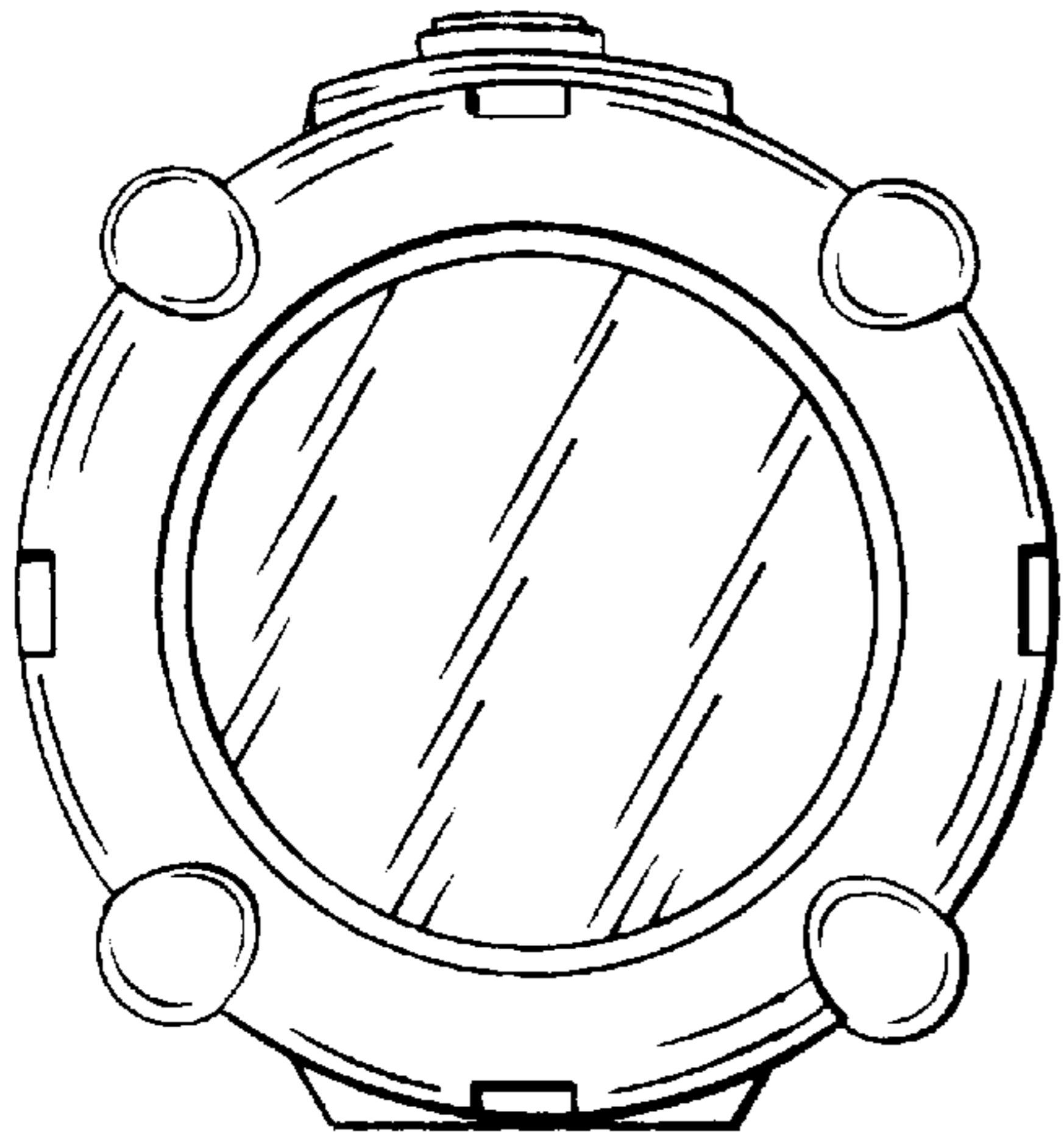


FIG. 6

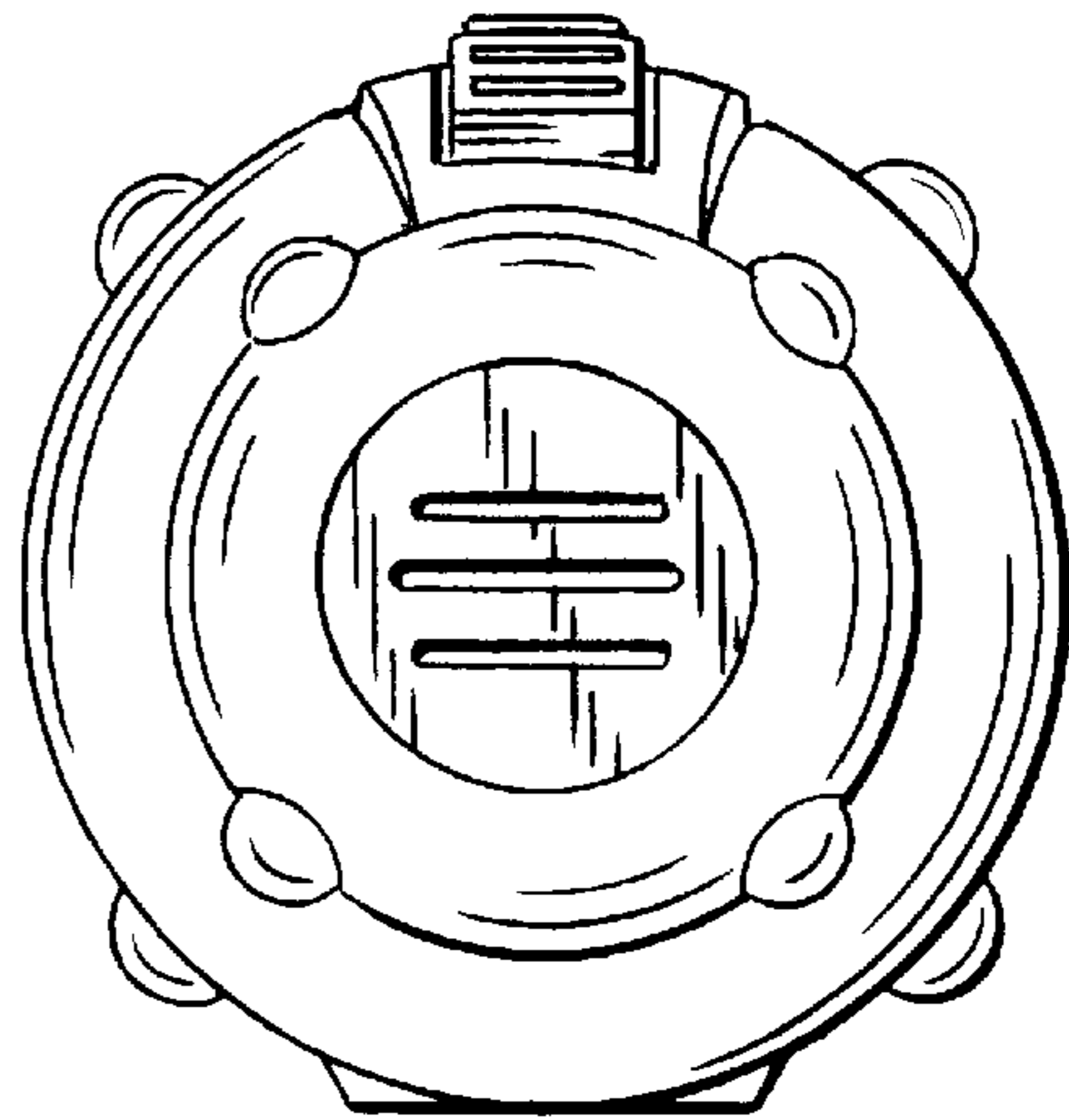


FIG. 7

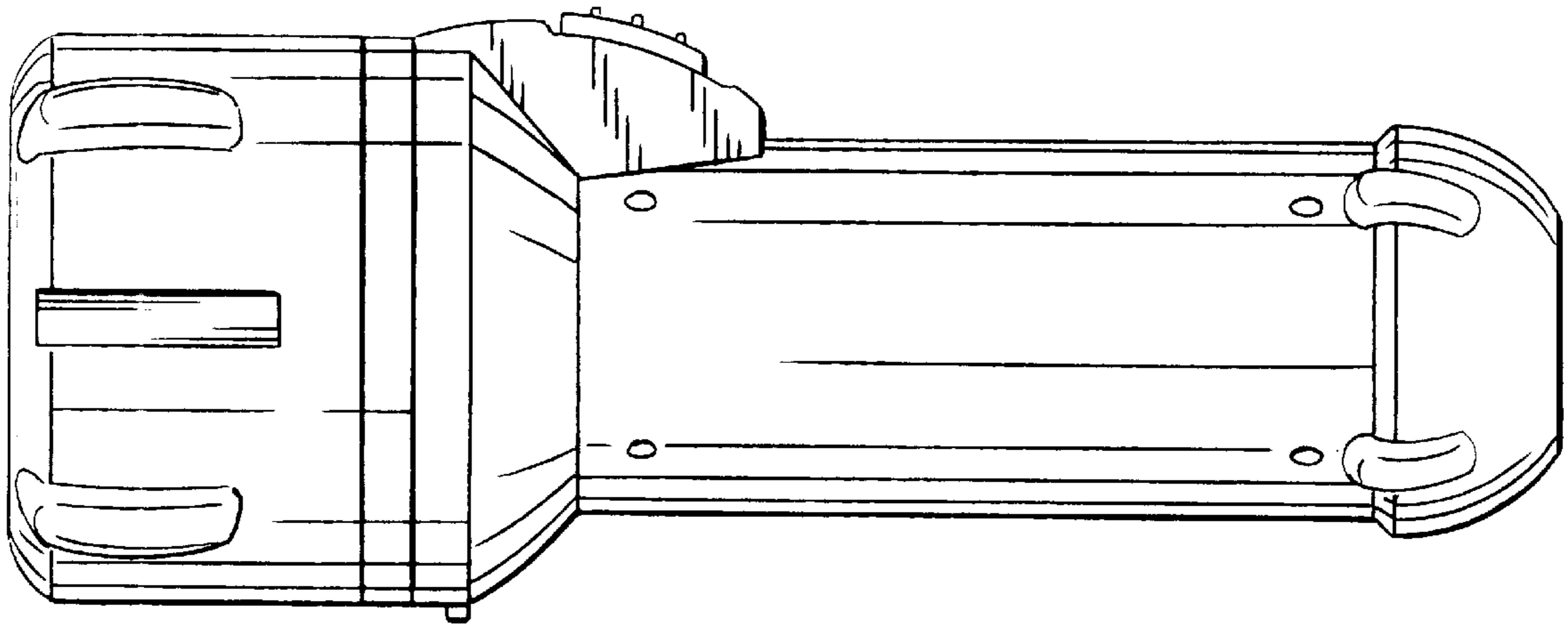


FIG. 8

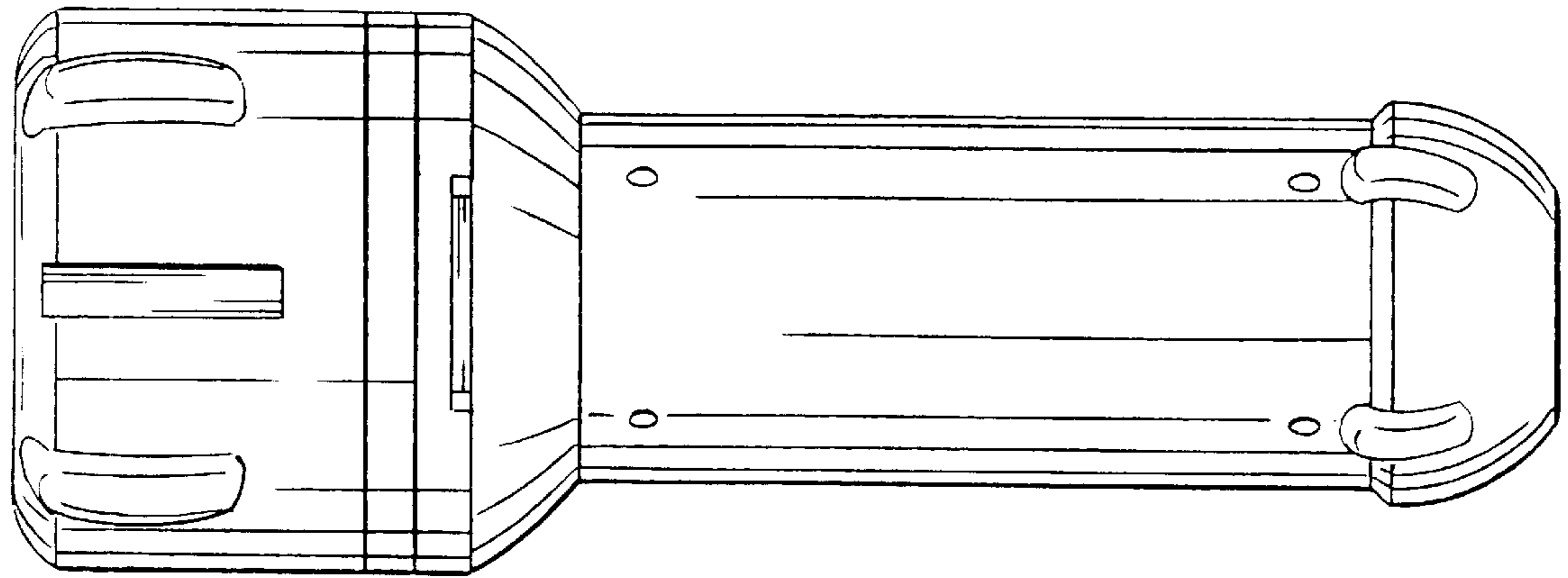


FIG. 9

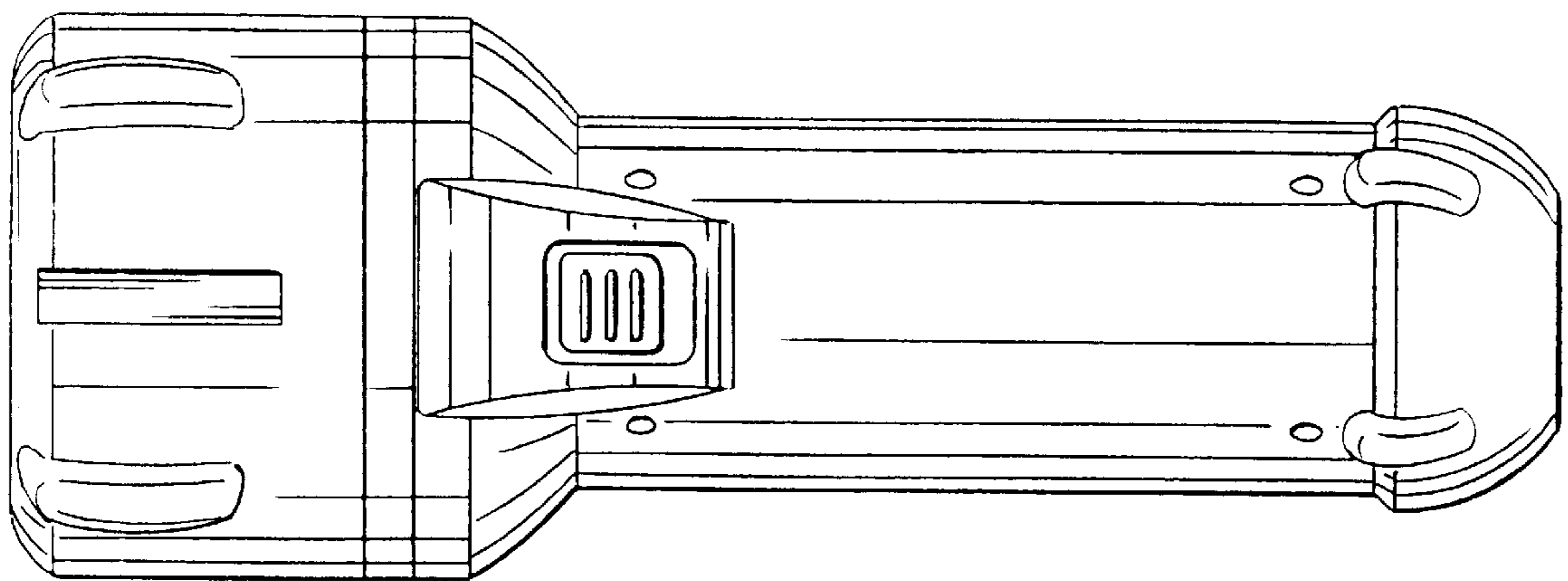


FIG. 10

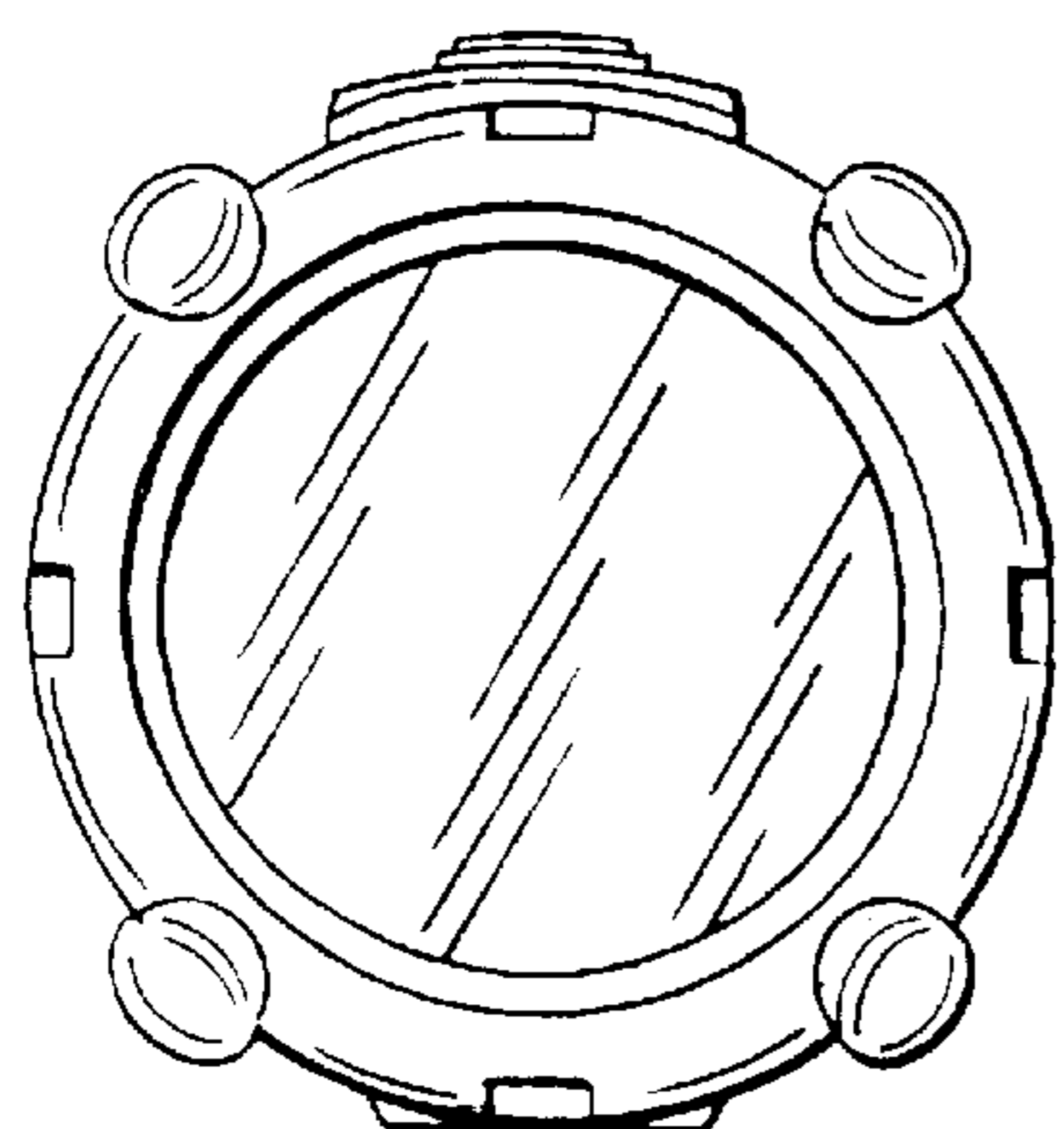


FIG. 11

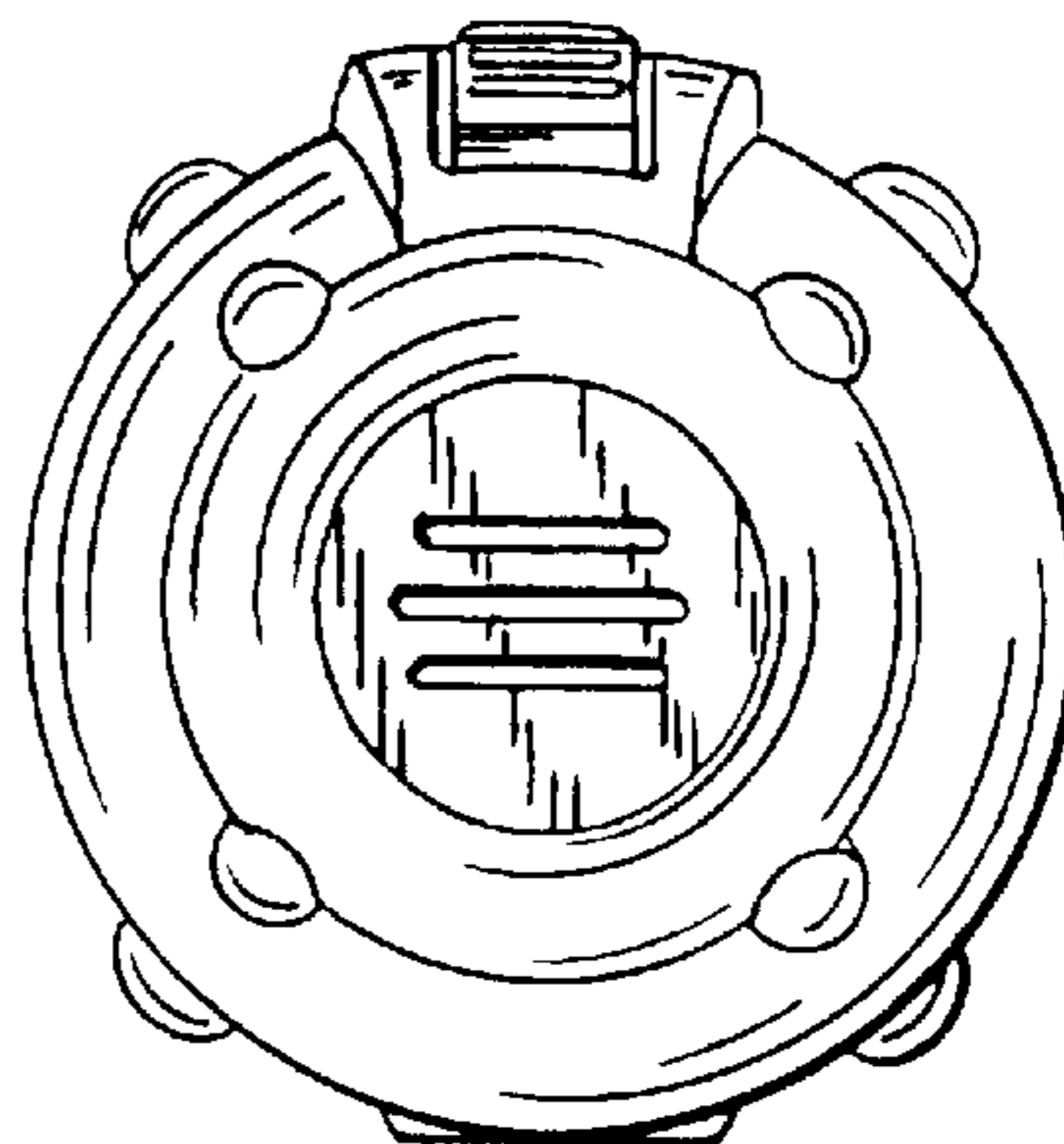


FIG. 12

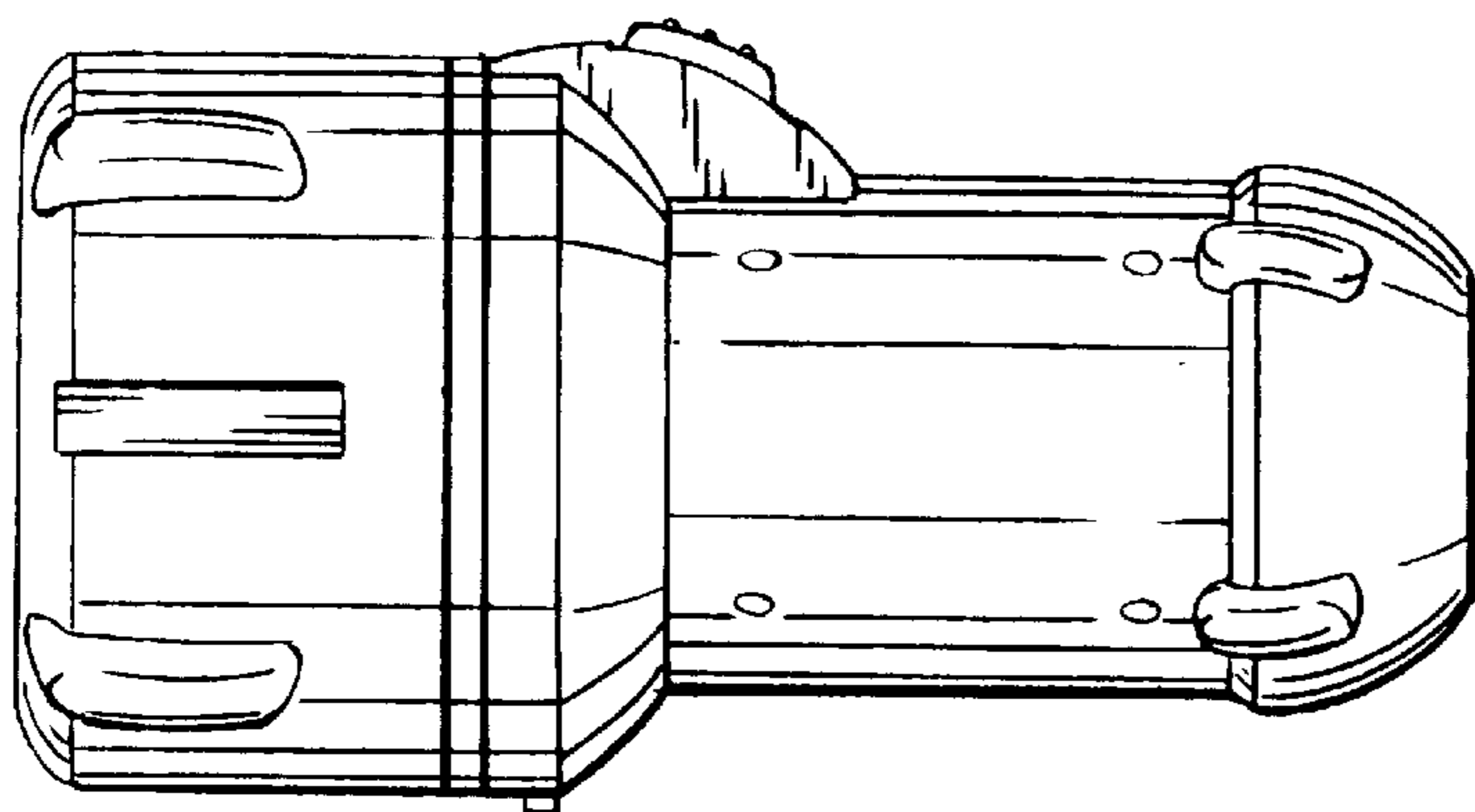


FIG. 13

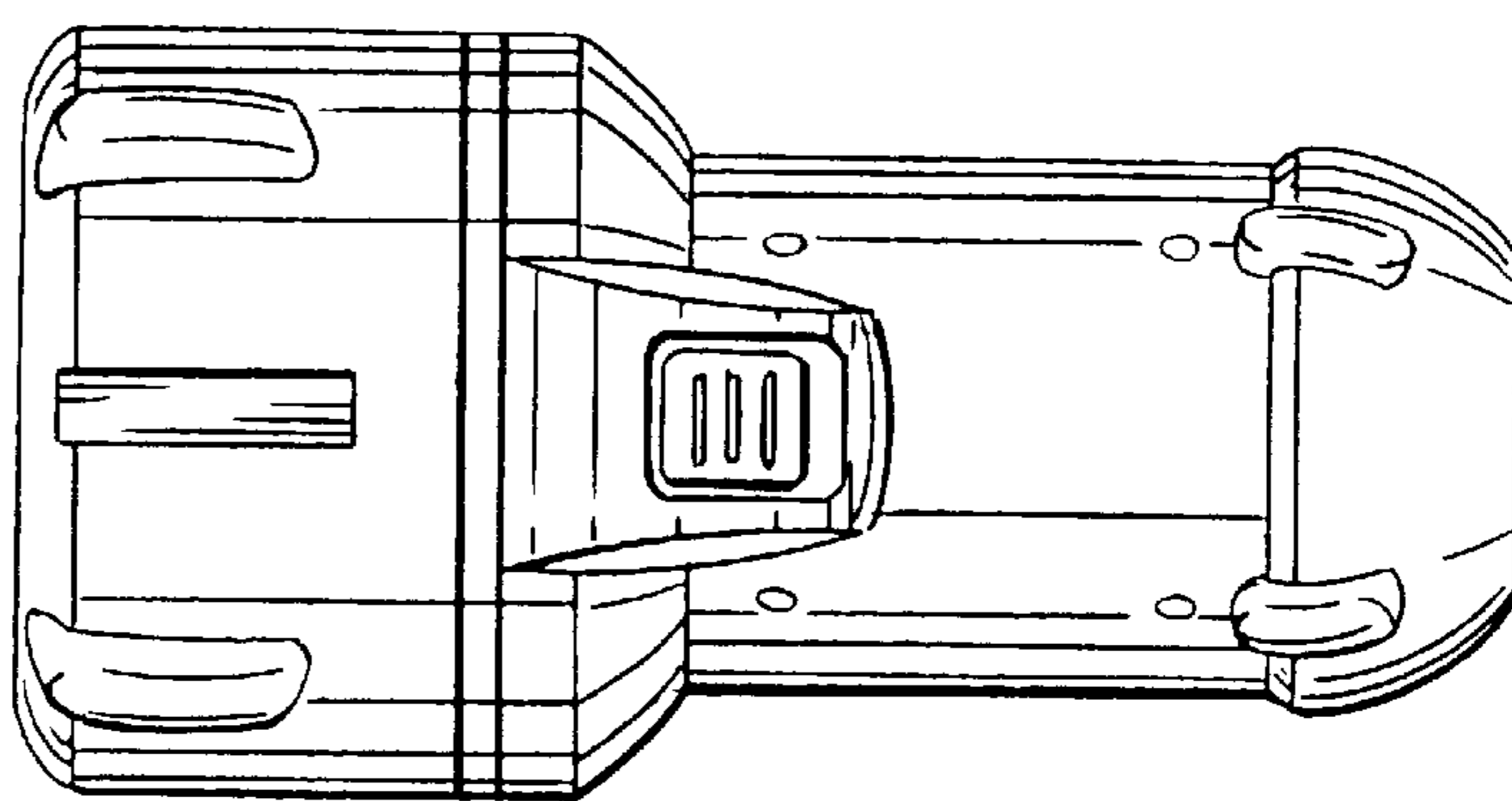


FIG. 14

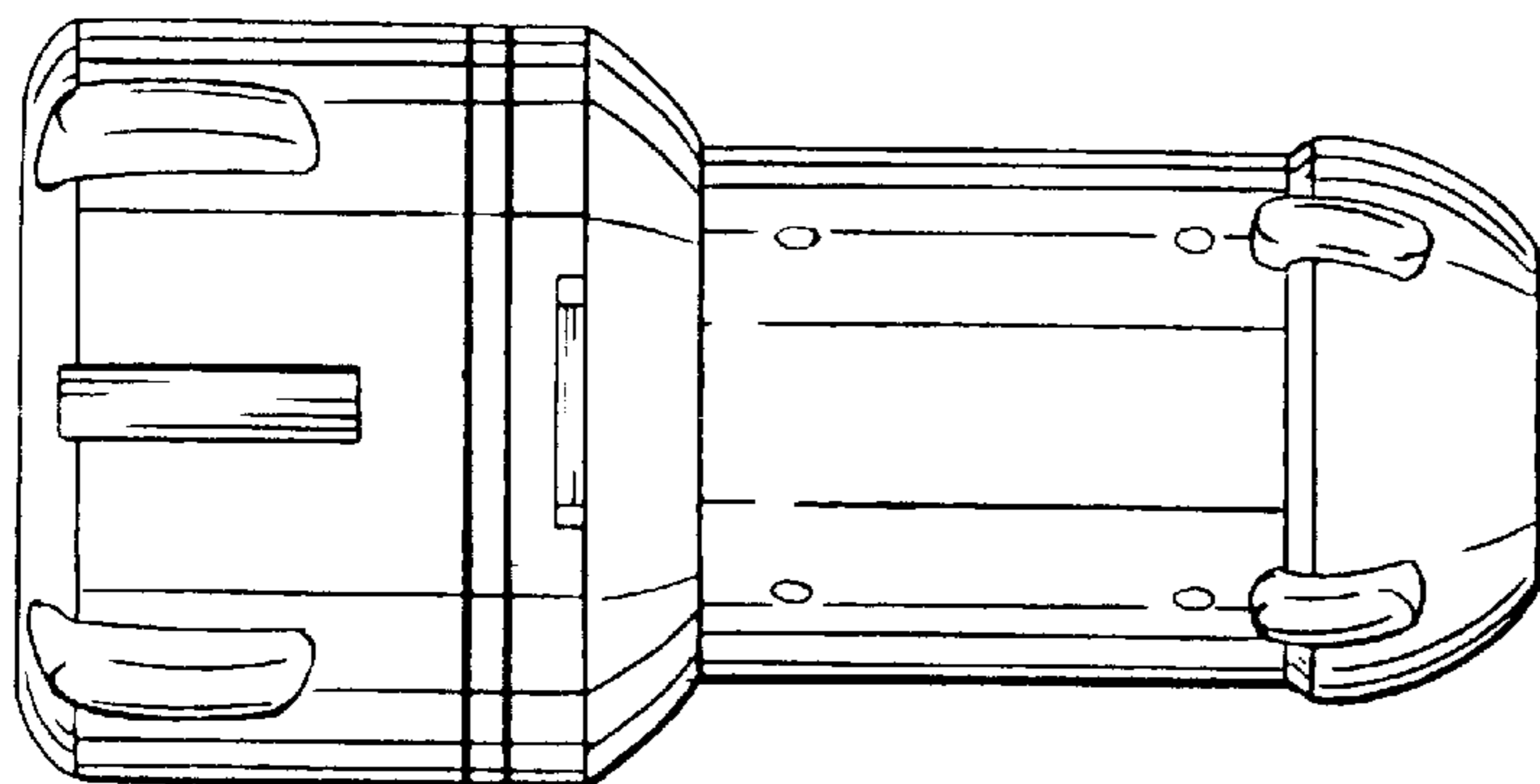


FIG. 15