



US00D421143S

United States Patent [19]

[11] **Patent Number: Des. 421,143**

Kovacik et al.

[45] **Date of Patent: ** Feb. 22, 2000**

[54] **HALOGEN UTILITY LIGHT**

[75] Inventors: **James D. Kovacik**, Brecksville; **Paul S. Blanch**, Broadview Heights; **Stanley E. Grzywna**, Elyria, all of Ohio

[73] Assignee: **Alert Safety Lite Products Co., Inc.**, Bedford Heights, Ohio

[**] Term: **14 Years**

[21] Appl. No.: **29/102,100**

[22] Filed: **Mar. 17, 1999**

[51] **LOC (7) Cl.** **26-02**

[52] **U.S. Cl.** **D26/42**

[58] **Field of Search** D26/37-50; 362/157, 362/158, 183-208, 222

4,287,456	9/1981	Kovacik et al. .
4,321,660	3/1982	Sokol .
4,598,344	7/1986	Nadler .
4,774,647	9/1988	Kovacik et al. .
4,977,489	12/1990	Fung .
5,217,297	6/1993	Yuen .
5,436,815	7/1995	Grooms et al. .
5,465,196	11/1995	Hasenberg et al. .
5,558,425	9/1996	Pons et al. .

Primary Examiner—Marcus A. Jackson
Attorney, Agent, or Firm—MacMillan, Sobanski & Todd, LLC

[57] CLAIM

We claim the ornamental design for a halogen utility light, as shown and described.

DESCRIPTION

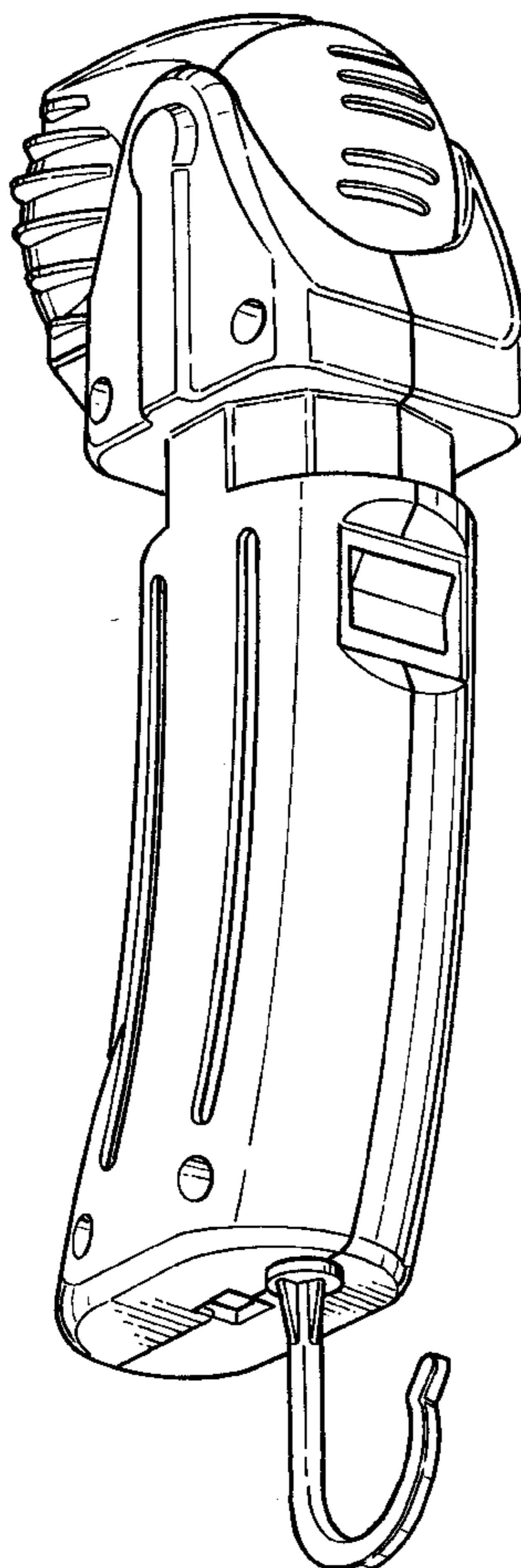
FIG. 1 is a perspective view of the halogen utility light of the present invention;
FIG. 2 is a front elevational view thereof
FIG. 3 is a left side elevational view thereof;
FIG. 4 is a right side elevational view thereof;
FIG. 5 is a rear elevational view thereof;
FIG. 6 is a top plan view thereof; and,
FIG. 7 is a bottom plan view thereof.

[56] References Cited

U.S. PATENT DOCUMENTS

D. 351,479	10/1994	Meyer	D26/47
D. 367,123	2/1996	Blye	D26/42
D. 367,542	2/1996	Kovacik et al. .		
D. 389,931	1/1998	Kovacik et al. .		
D. 409,776	5/1999	Ghode et al.	D26/42
4,258,414	3/1981	Sokol .		
4,262,327	4/1981	Kovicik et al. .		

1 Claim, 3 Drawing Sheets



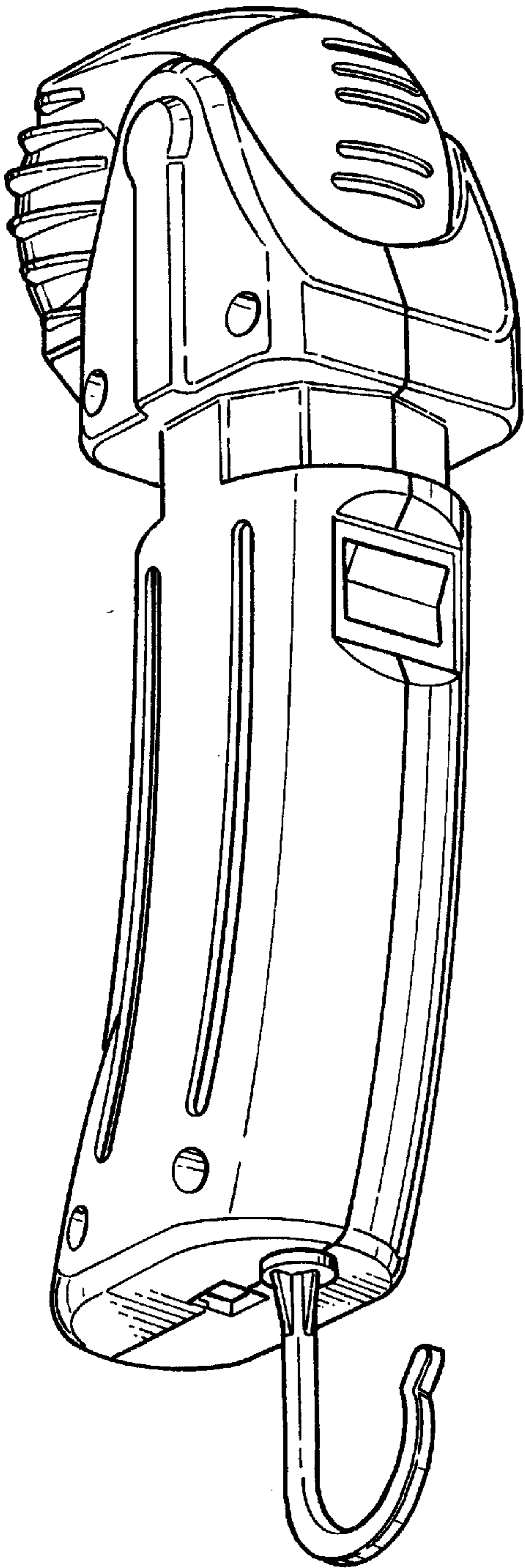


FIG-1

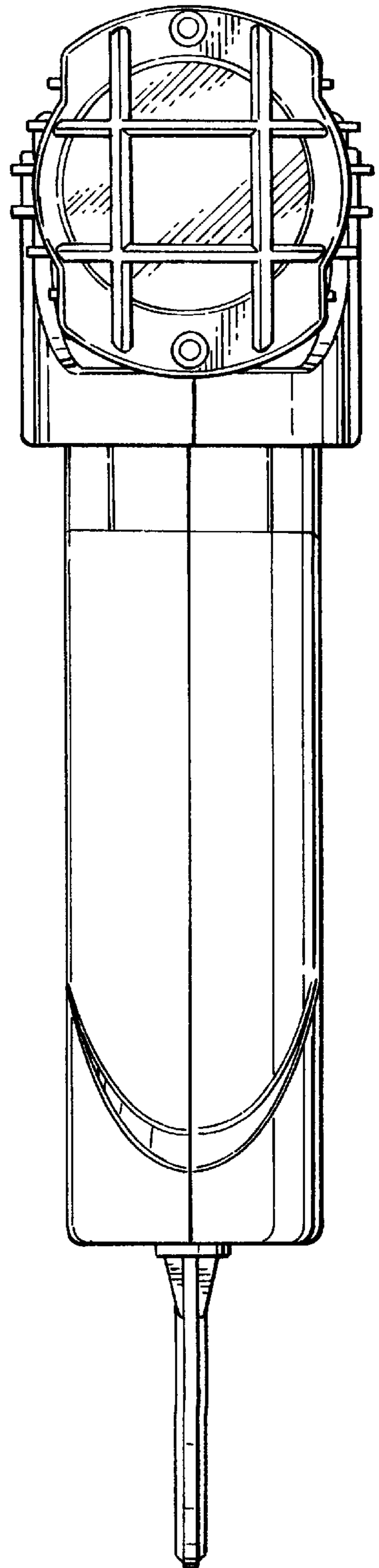


FIG-2

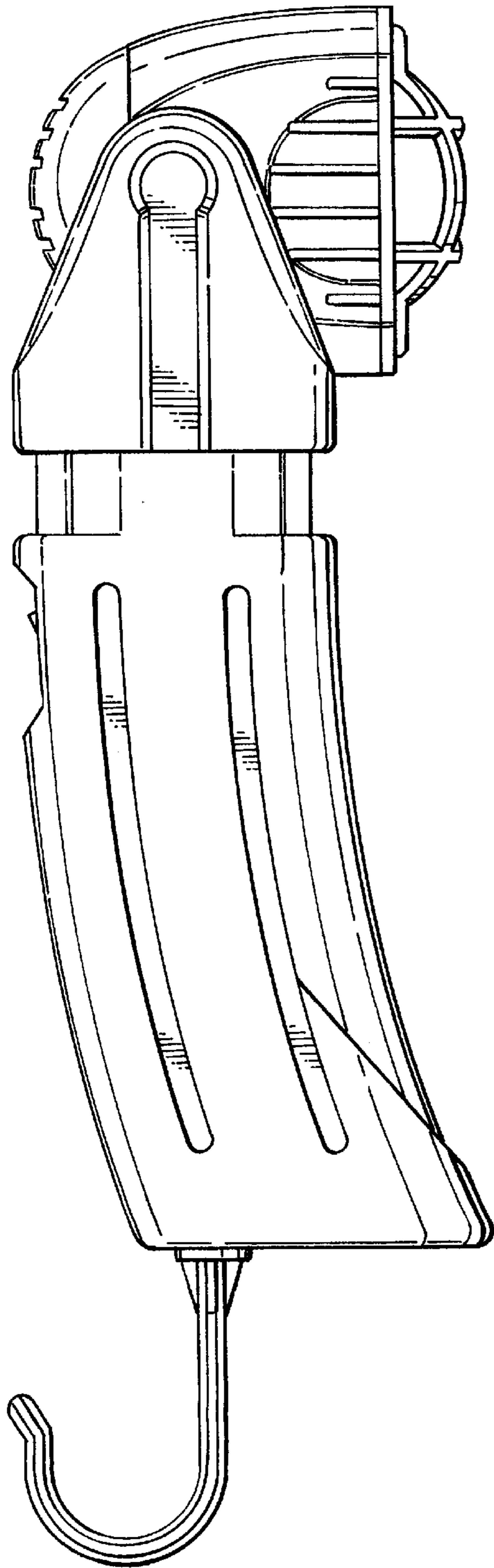


FIG-3

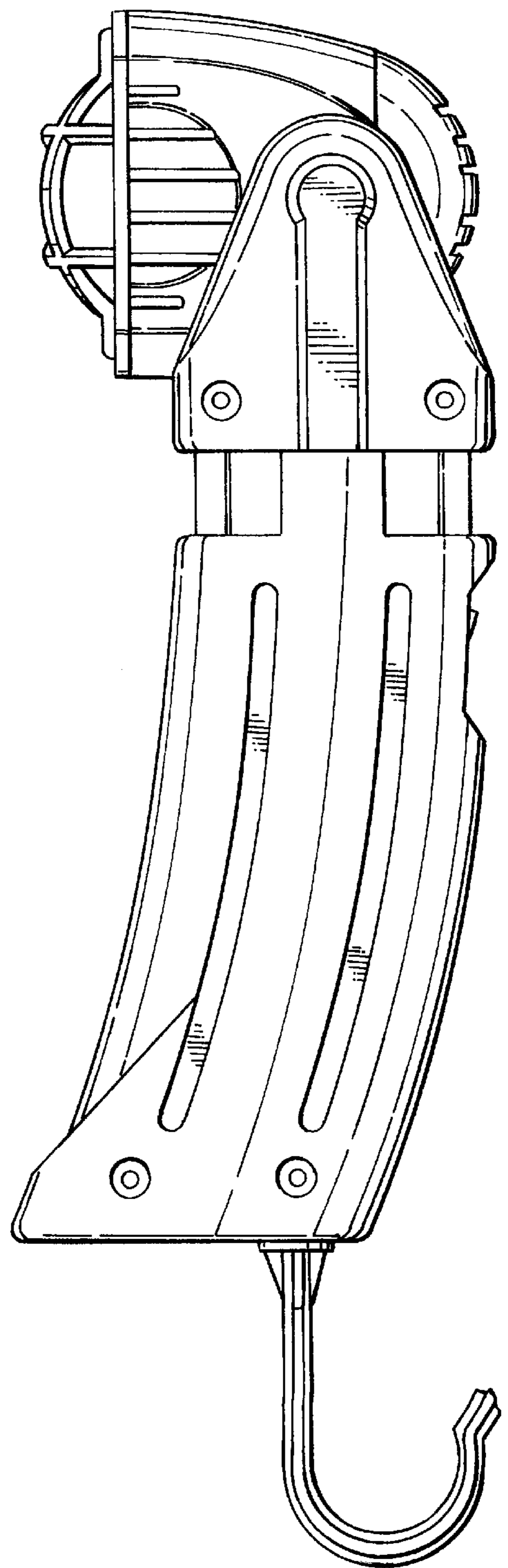


FIG-4

FIG - 5

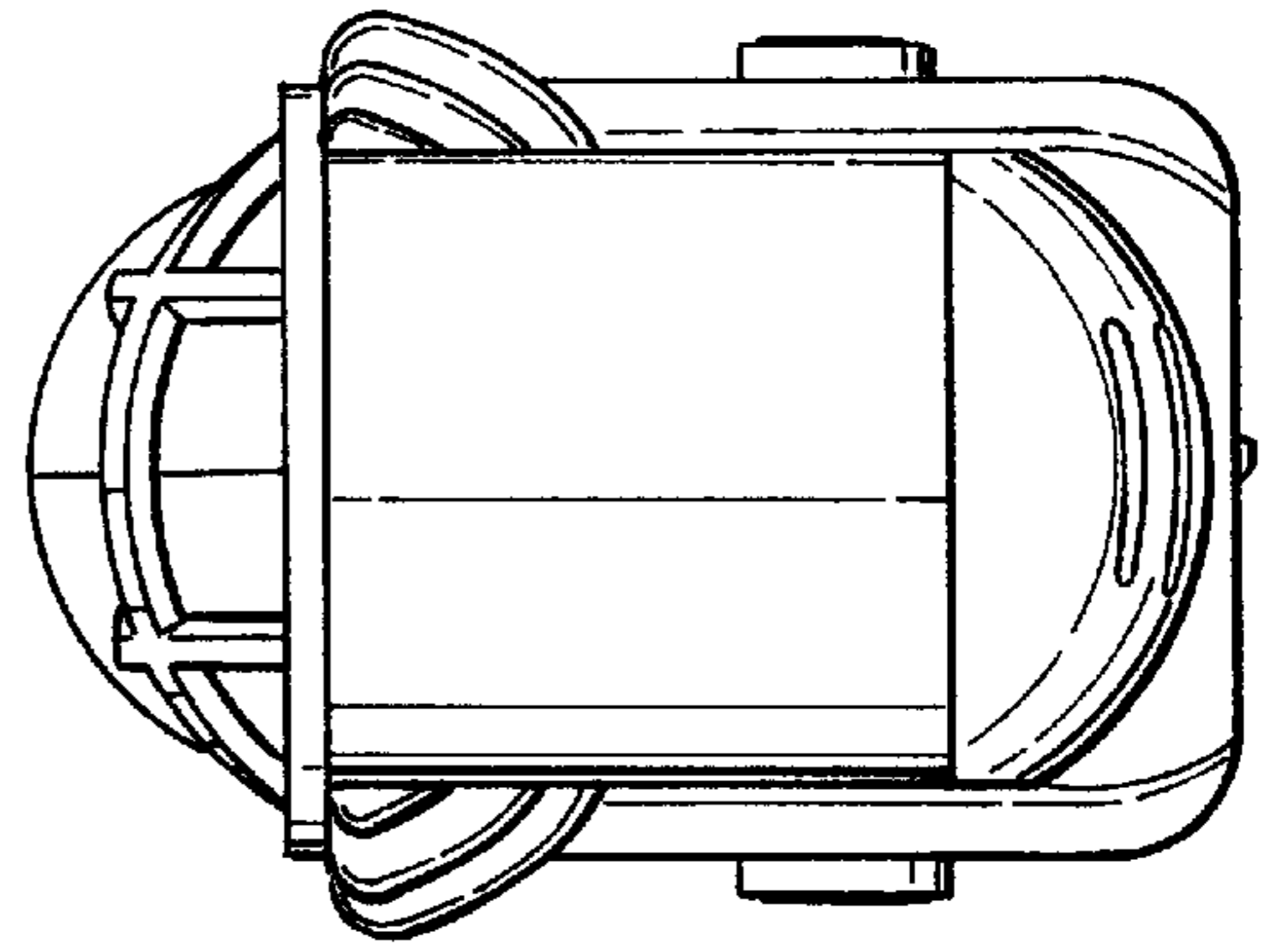
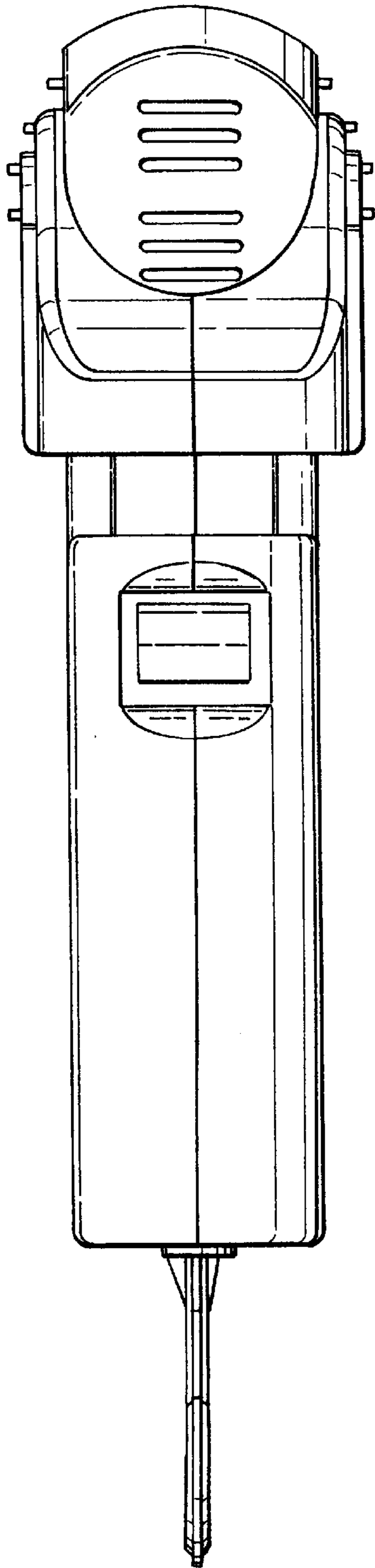


FIG - 6

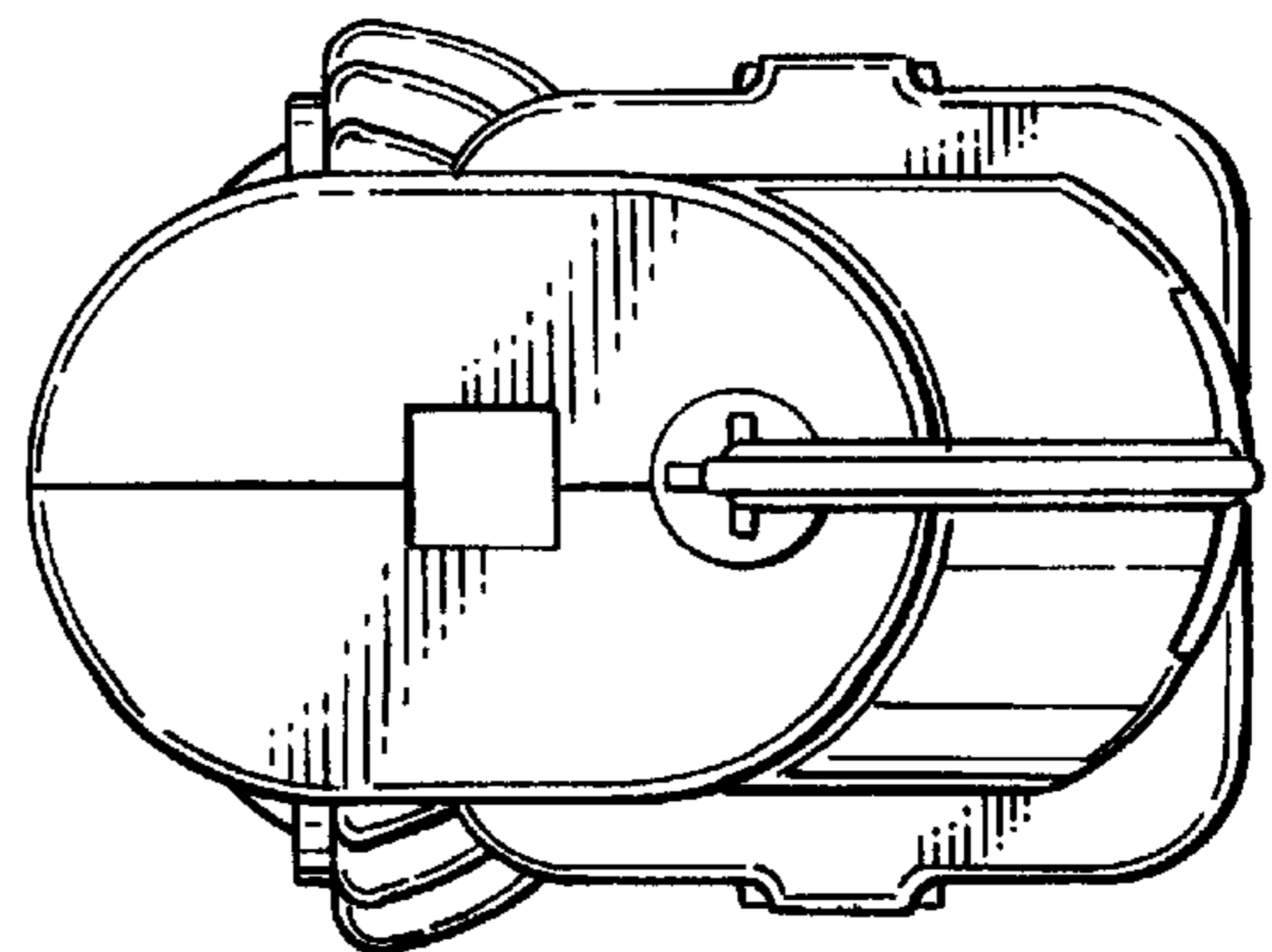


FIG - 7