



US00D421142S

# United States Patent [19] Bayat

[11] **Patent Number: Des. 421,142**

[45] **Date of Patent: \*\* Feb. 22, 2000**

[54] **COMBINED LAMP AND BRACKET**

[75] Inventor: **Bijan Bayat**, Plano, Tex.

[73] Assignee: **Bayco Products, Incorporated**, Dallas, Tex.

[\*\*] Term: **14 Years**

[21] Appl. No.: **29/100,523**

[22] Filed: **Feb. 12, 1999**

[51] **LOC (7) Cl.** ..... **26-02**

[52] **U.S. Cl.** ..... **D26/42**

[58] **Field of Search** ..... D26/37-50; 362/98, 362/99, 188, 220-225, 396

[56] **References Cited**

**U.S. PATENT DOCUMENTS**

D. 338,976 8/1993 Miley, Jr. .... D26/42

D. 378,141 2/1997 Yuen ..... D26/42

*Primary Examiner*—Marcus A. Jackson

*Attorney, Agent, or Firm*—Akin, Gump, Strauss, Hauer & Feld, L.L.P.

[57] **CLAIM**

The ornamental design for a combined lamp and bracket, as shown and described.

**DESCRIPTION**

FIG. 1 is a perspective view of a combined lamp and bracket of my new design, with the broken line showing for illustrative purposes only and forming no part of the claimed design;

FIG. 2 is a front elevation of a combined lamp and bracket shown in FIG. 1;

FIG. 3 is a rear elevation of a combined lamp and bracket shown in FIG. 1;

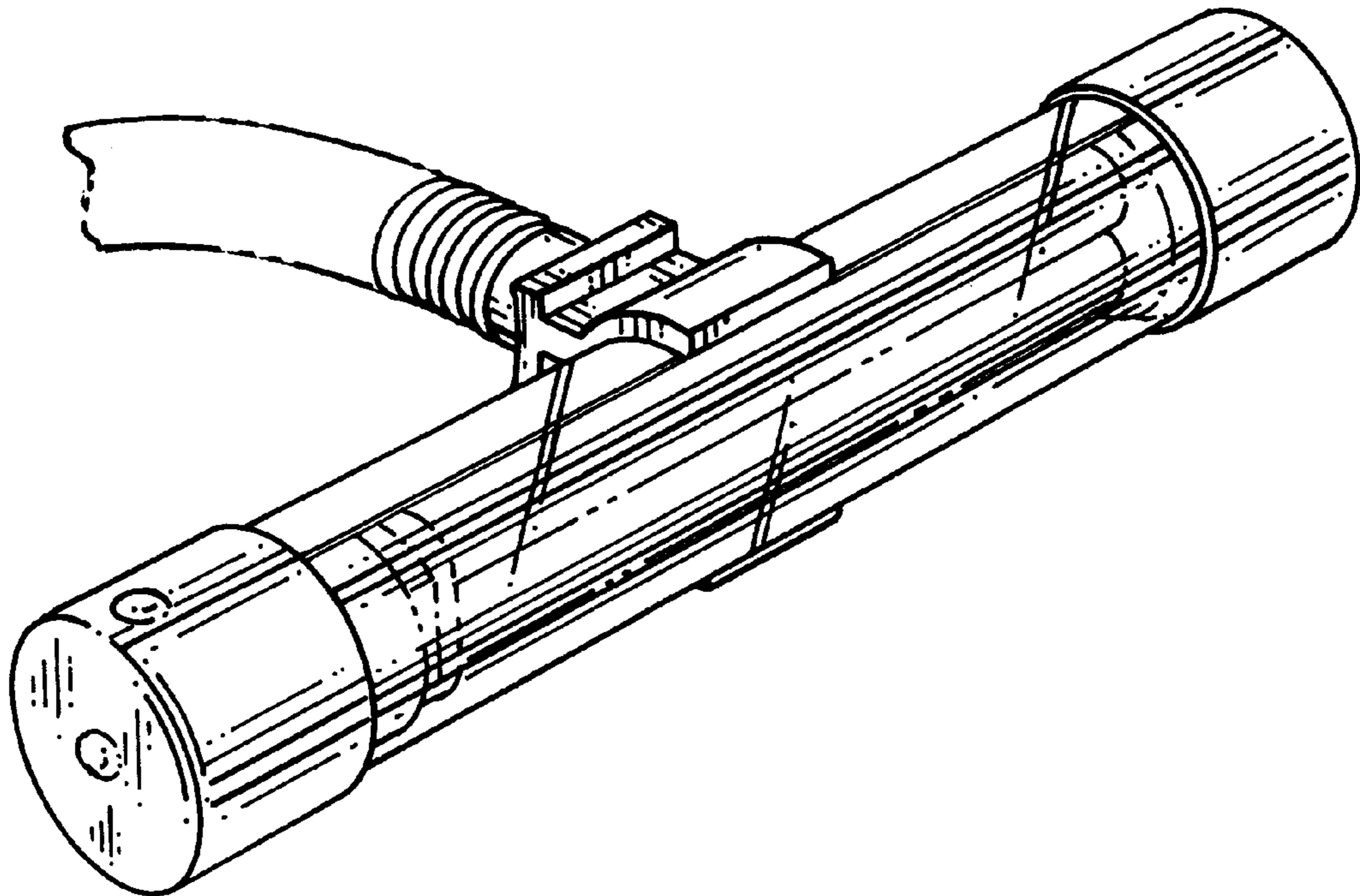
FIG. 4 is a top plan view of a combined lamp and bracket shown in FIG. 1;

FIG. 5 is a bottom plan view of a combined lamp and bracket shown in FIG. 1;

FIG. 6 is a left side elevation of a combined lamp and bracket shown in FIG. 1; and

FIG. 7 is a right side elevation of a combined lamp and bracket shown in FIG. 1.

**1 Claim, 3 Drawing Sheets**



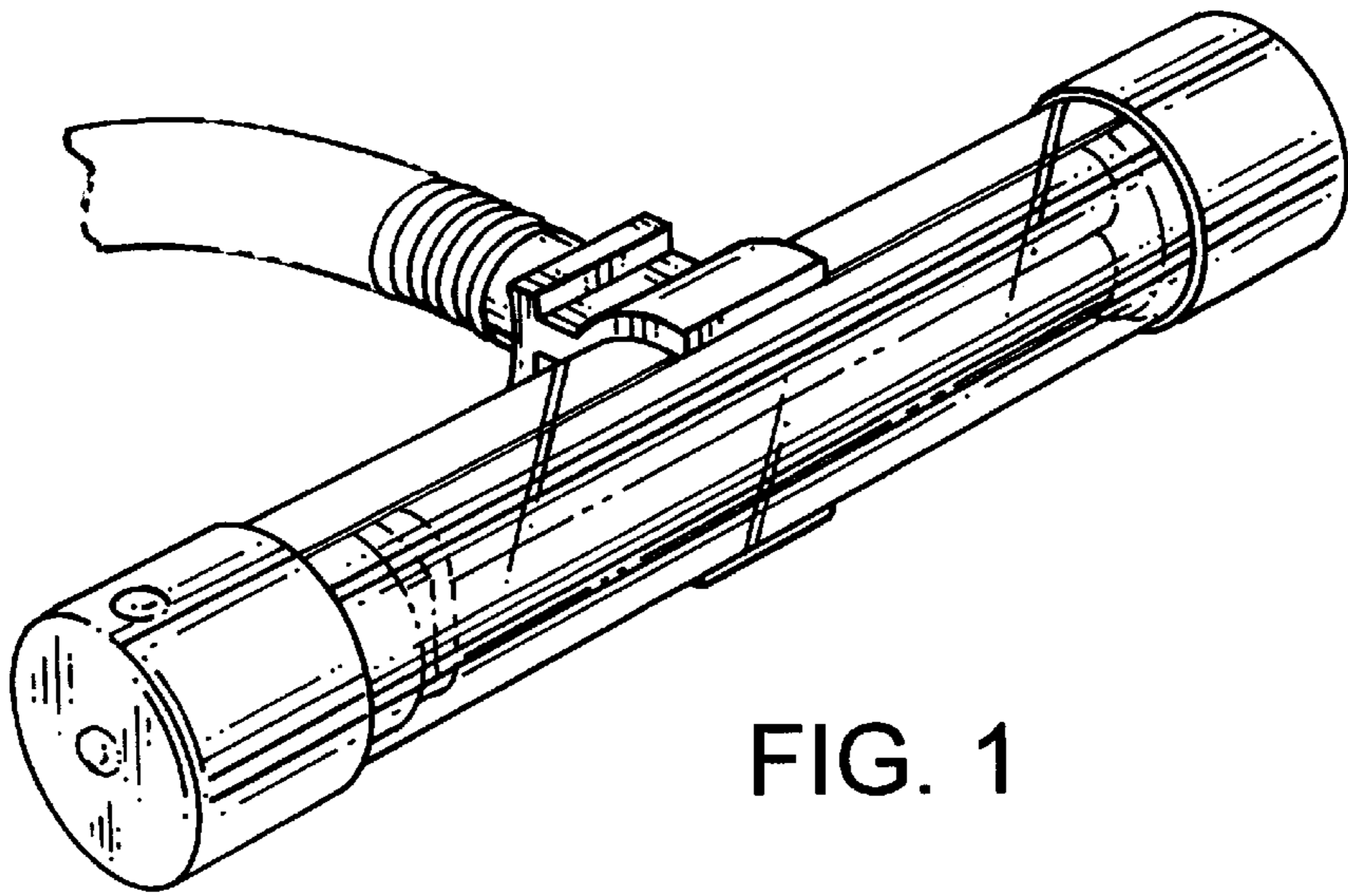


FIG. 1

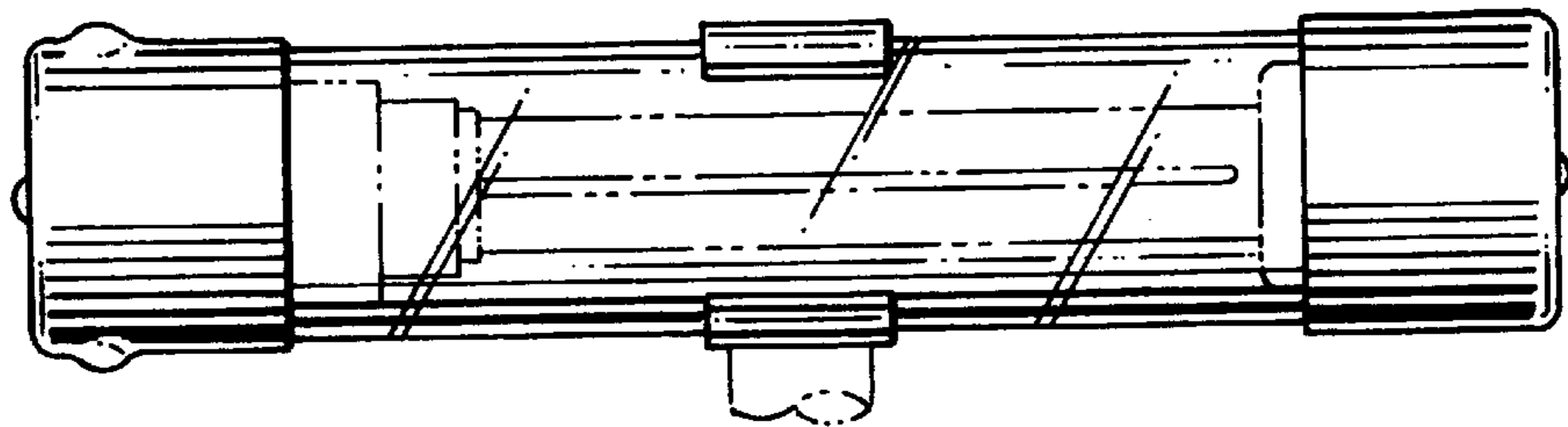


FIG. 2

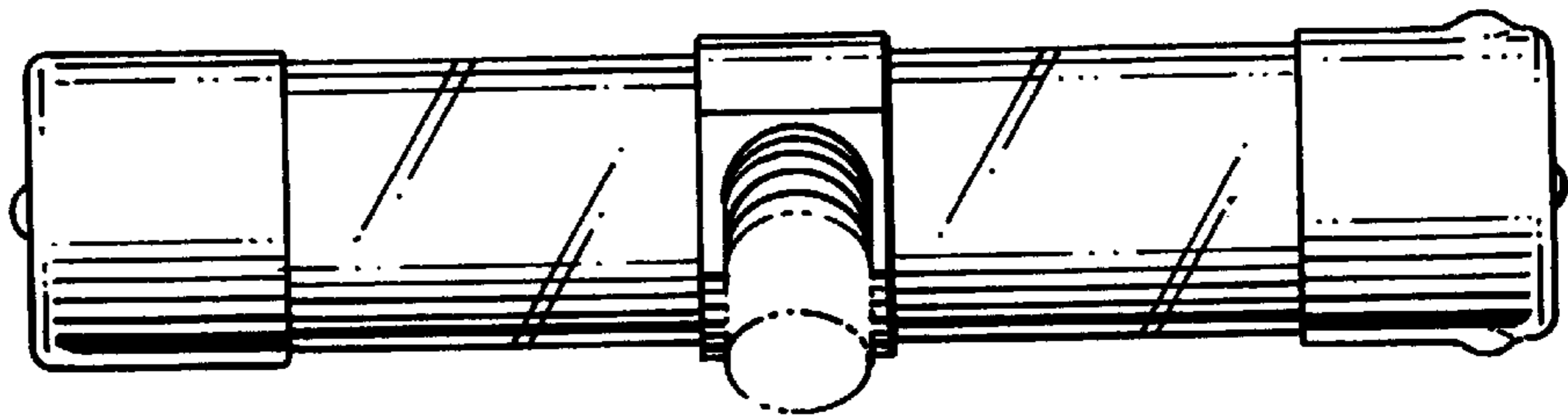


FIG. 3

FIG. 4

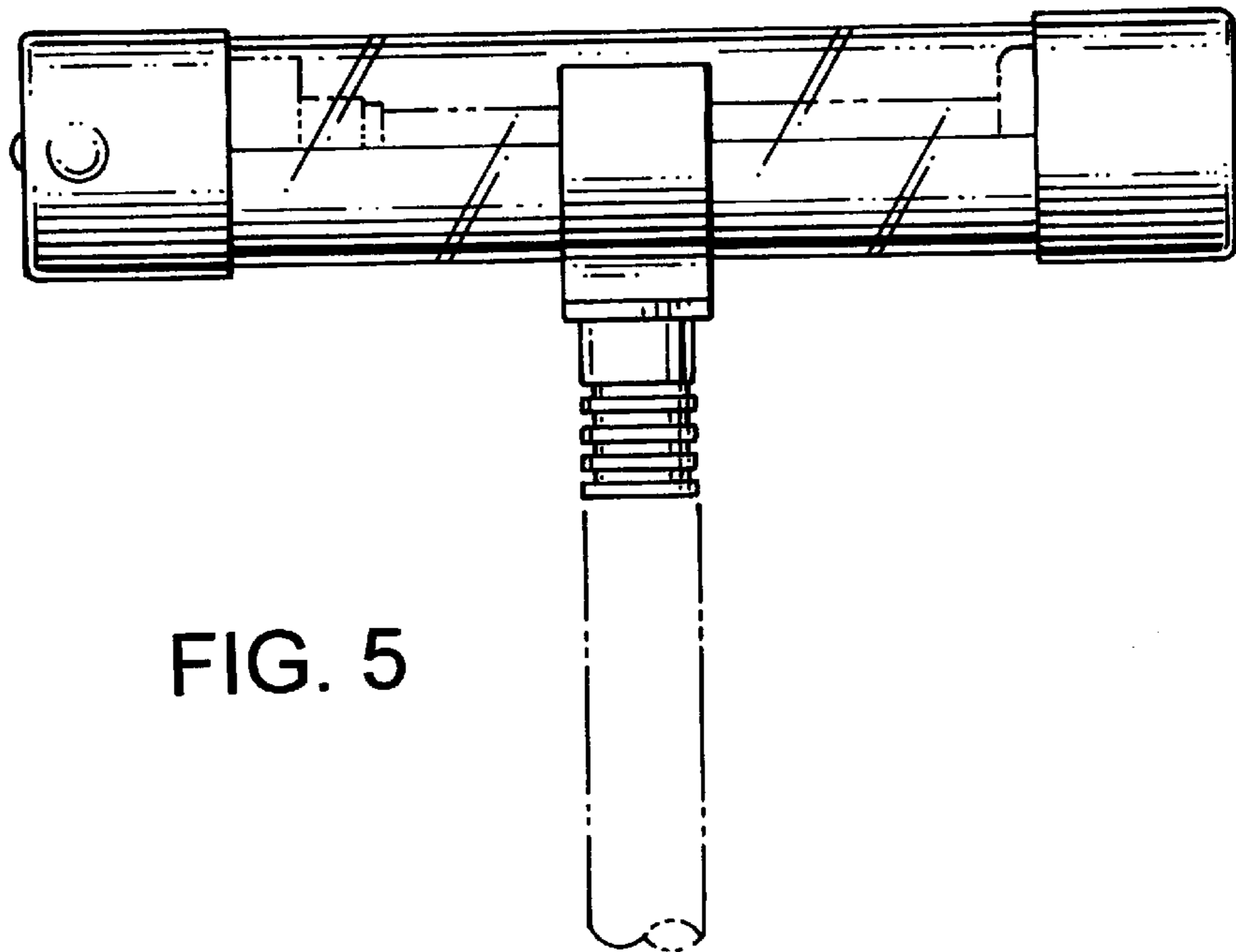
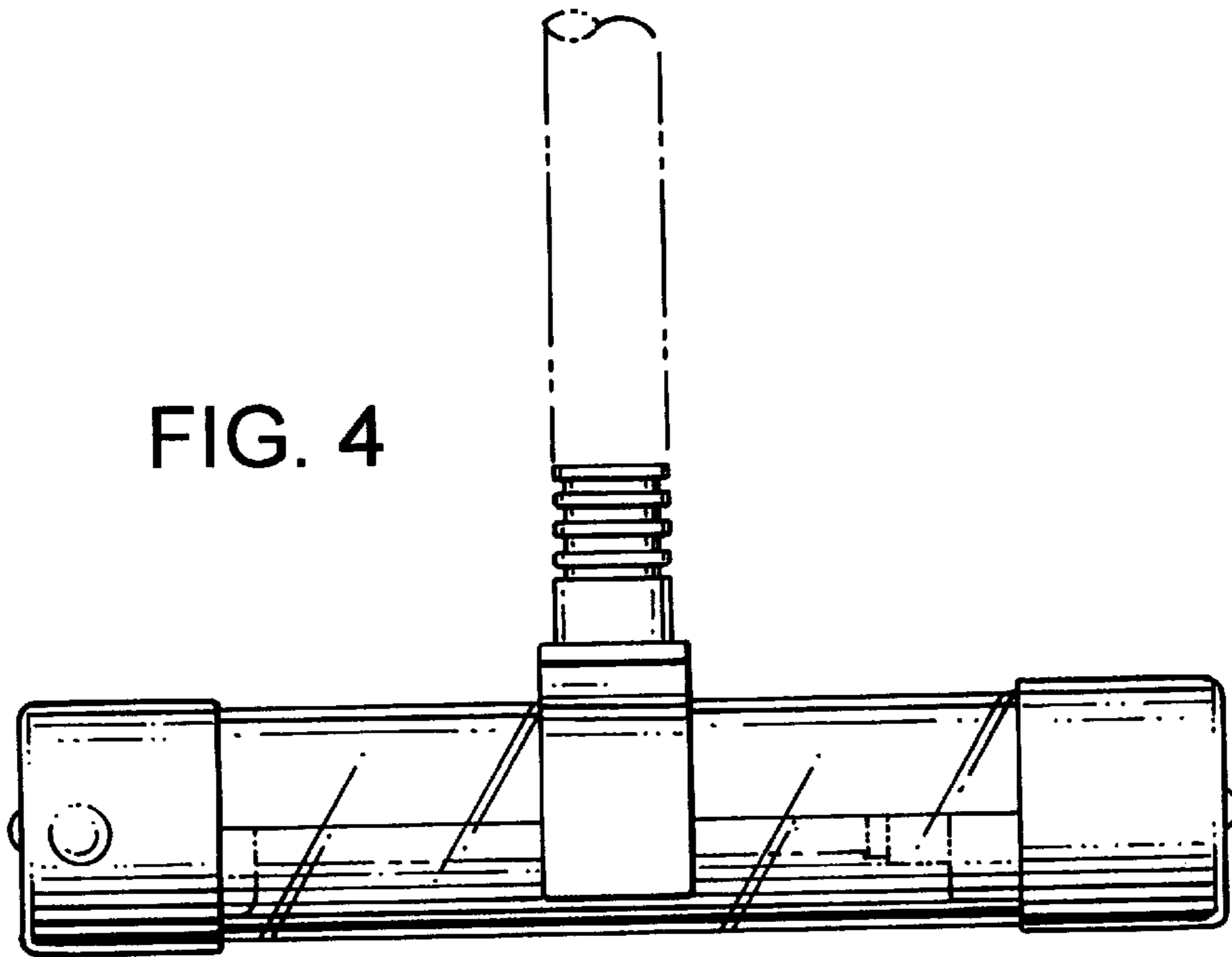


FIG. 5

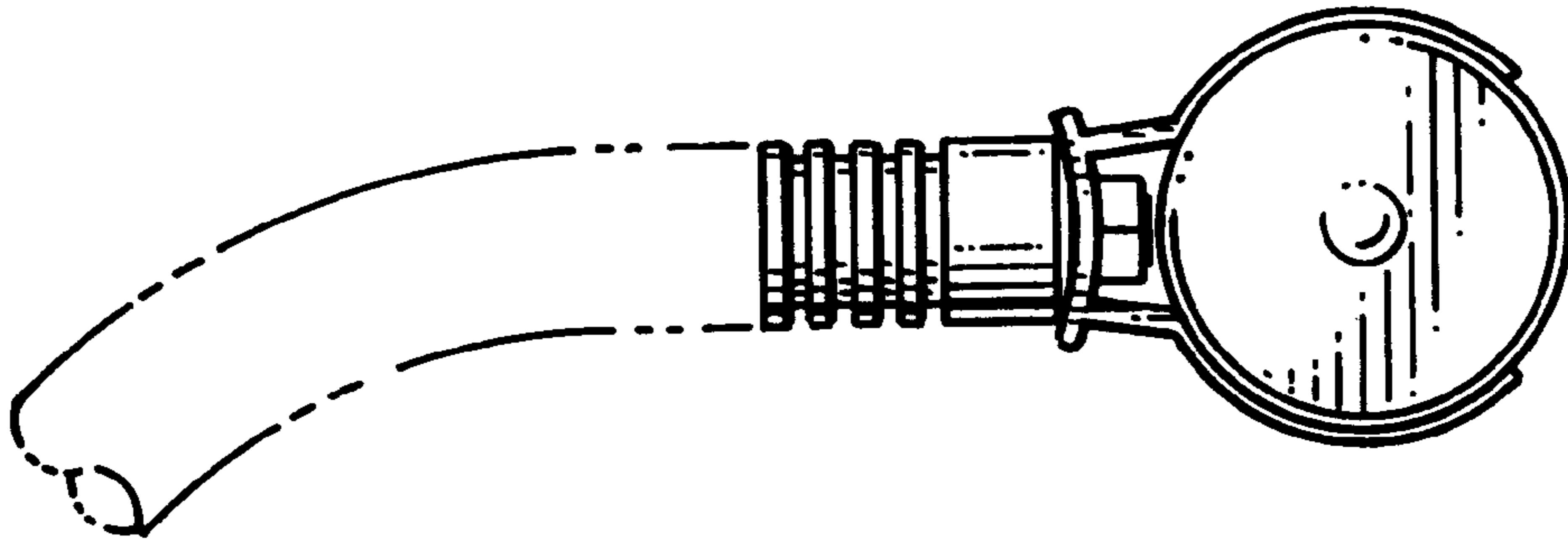


FIG. 6

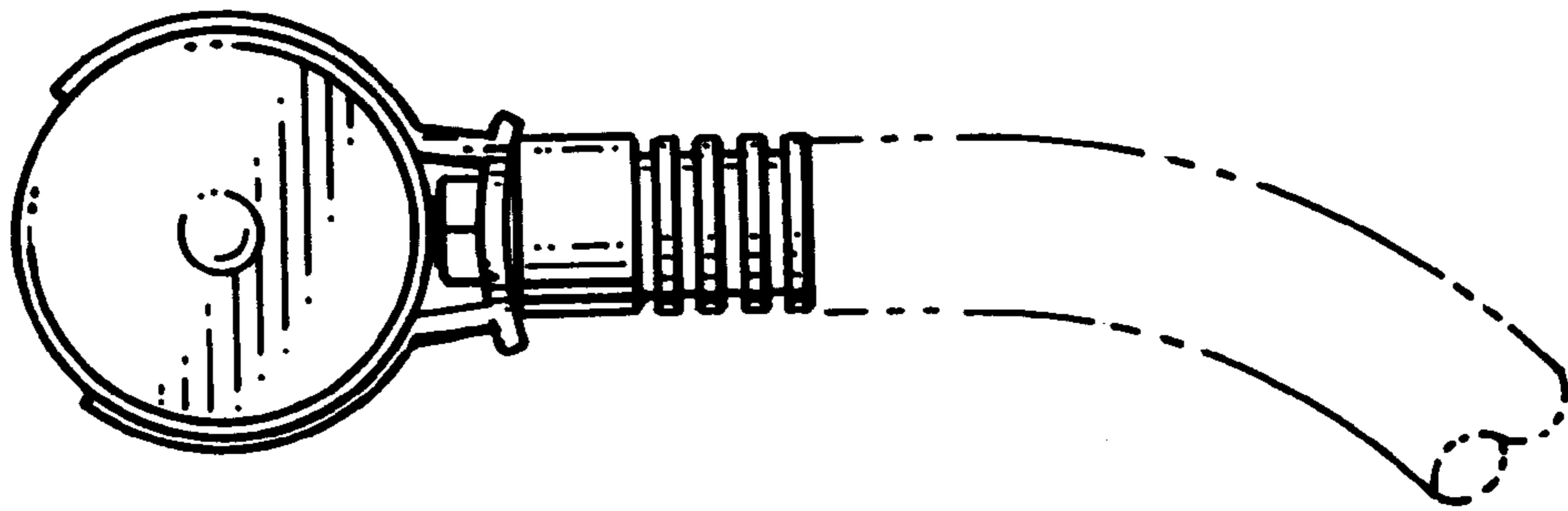


FIG. 7