



US00D421138S

United States Patent [19]

[11] **Patent Number: Des. 421,138**

Kato et al.

[45] **Date of Patent: ** Feb. 22, 2000**

[54] **SELF-BALLASTED COMPACT
FLUORESCENT LAMPS**

D. 283,504 4/1986 Zeis D26/3
D. 290,110 6/1987 Blaisdell et al. D26/3
D. 304,030 10/1989 Vakil D26/3

[75] Inventors: **Masayoshi Kato; Takeshi Matsumura;
Shiro Iida**, all of Osaka, Japan

Primary Examiner—Marcus A. Jackson
Attorney, Agent, or Firm—Saidman DesignLaw Group

[73] Assignee: **Matsushita Electronics Corporation**,
Japan

[57] **CLAIM**

[**] Term: **14 Years**

The ornamental design for a self-ballasted compact fluorescent lamps, as shown and described.

[21] Appl. No.: **29/098,264**

DESCRIPTION

[22] Filed: **Dec. 24, 1998**

FIG. 1 is a perspective view of the top, front and right side of a self-ballasted compact fluorescent lamps showing our new design;

[51] **LOC (7) Cl.** **26-04**

[52] **U.S. Cl.** **D26/3**

FIG. 2 is a front view thereof;

[58] **Field of Search** D26/1, 2, 3; 313/313,
313/315, 317, 318, 491, 493; 315/56, 57,
58, 73; 362/216, 226

FIG. 3 is a right side thereof;

FIG. 4 is a top plan view thereof;

FIG. 5 is a bottom view thereof;

FIG. 6 is a rear view thereof; and,

FIG. 7 is a left side view thereof.

[56] **References Cited**

U.S. PATENT DOCUMENTS

D. 275,948 10/1984 Vakil D26/3

1 Claim, 2 Drawing Sheets

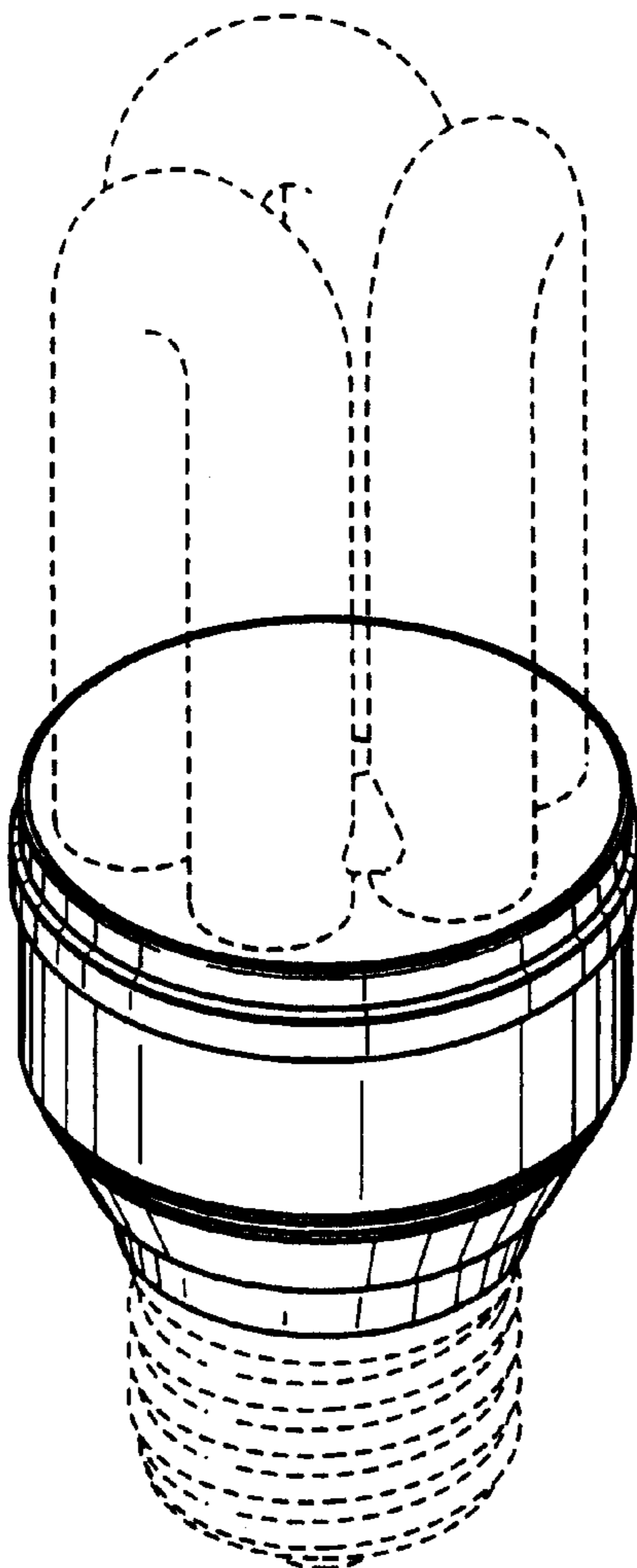


FIG. 1

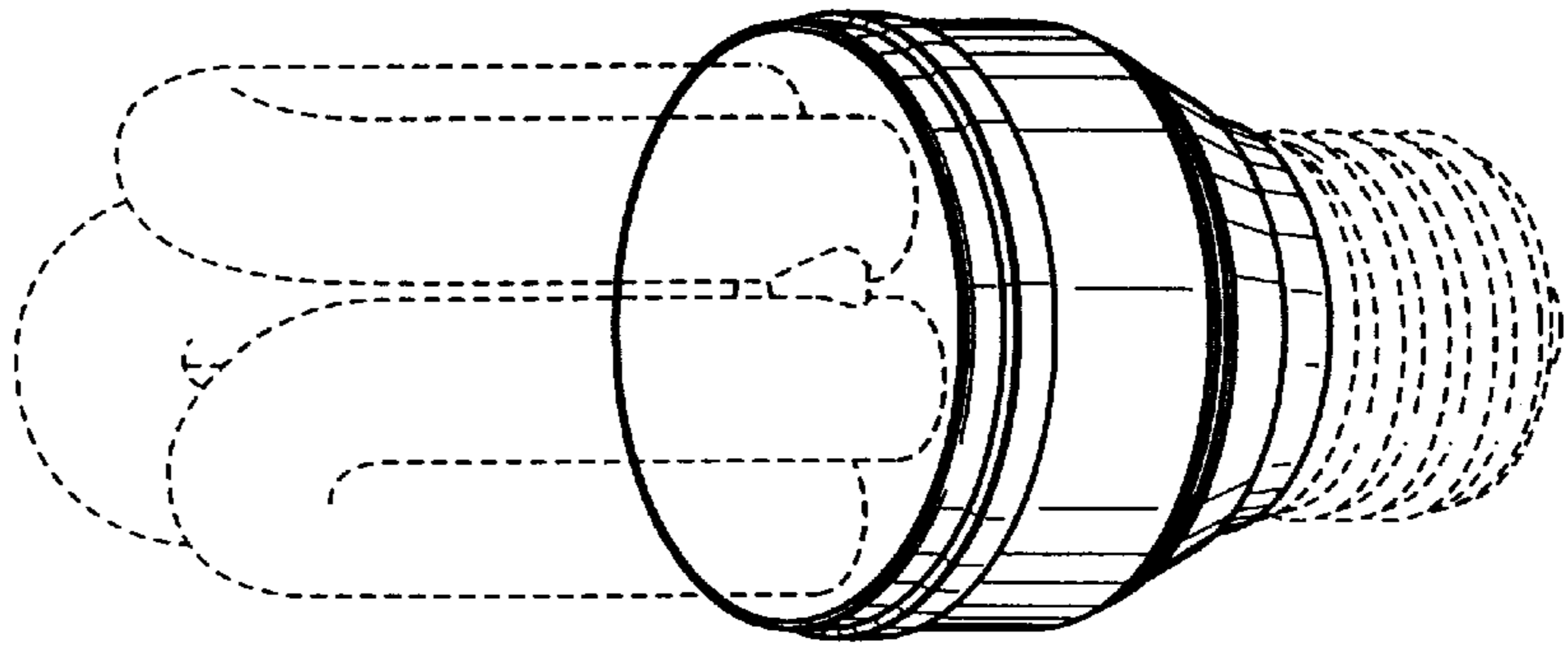


FIG. 2

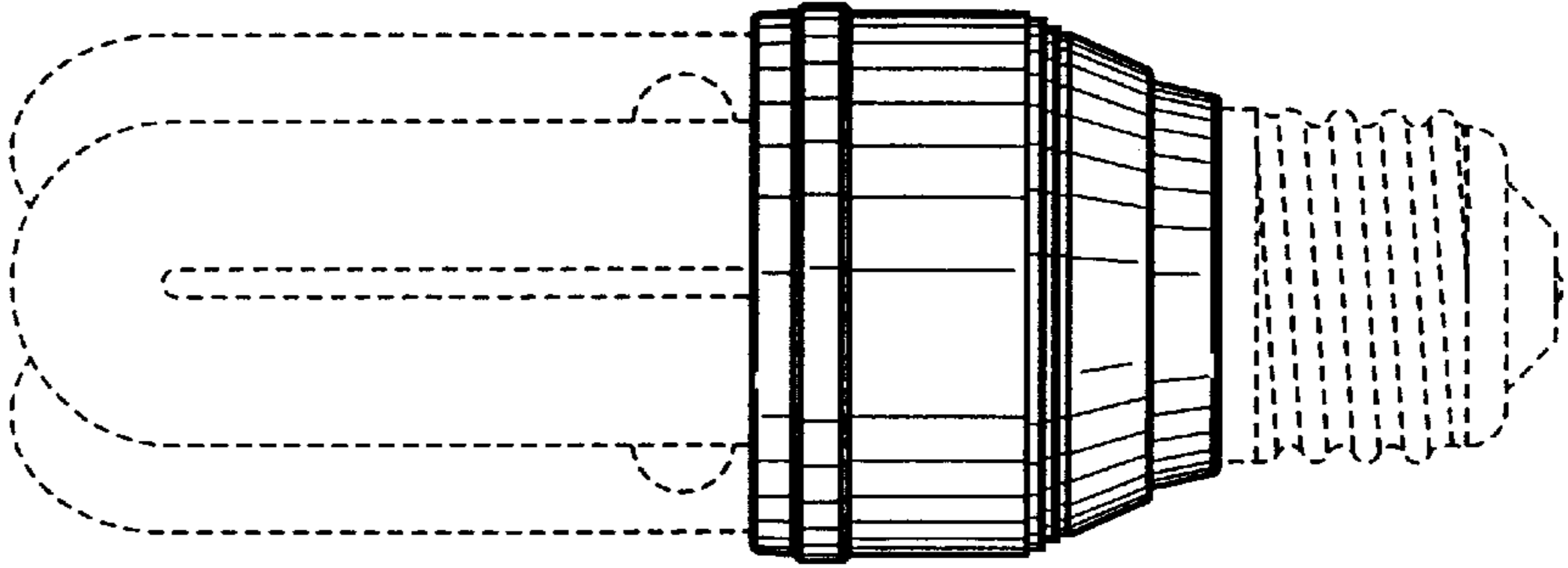


FIG. 3

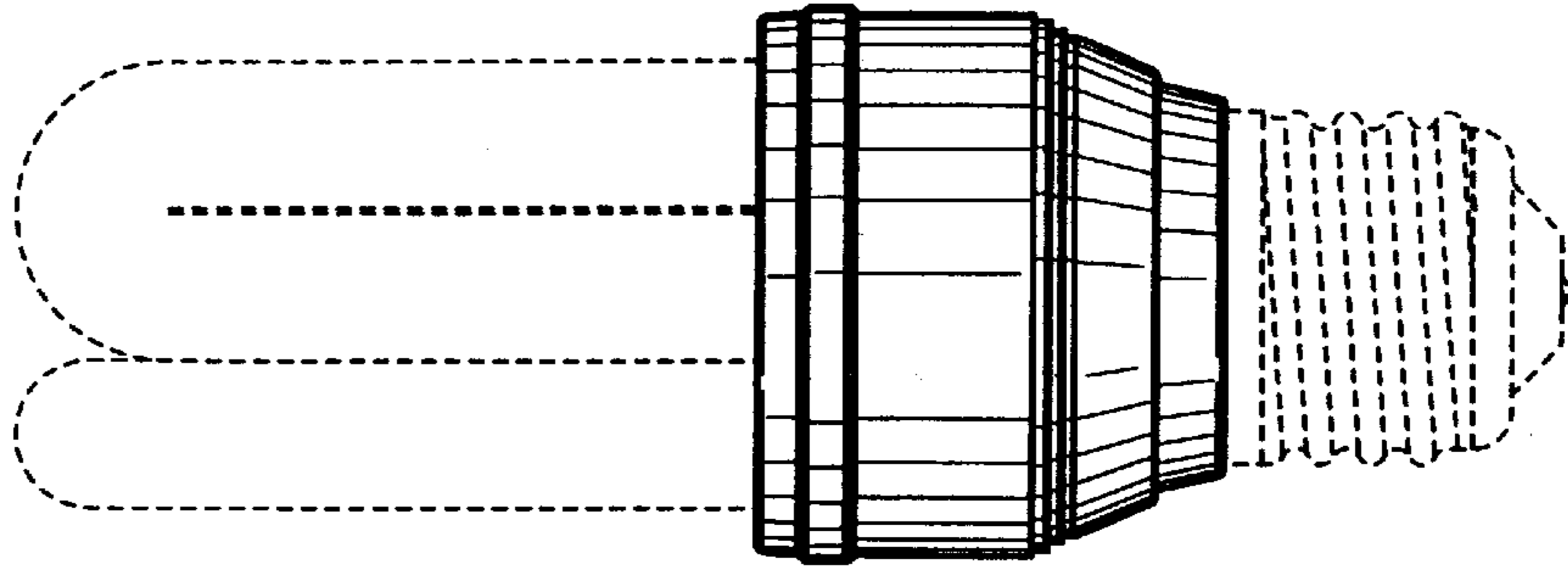


FIG. 4

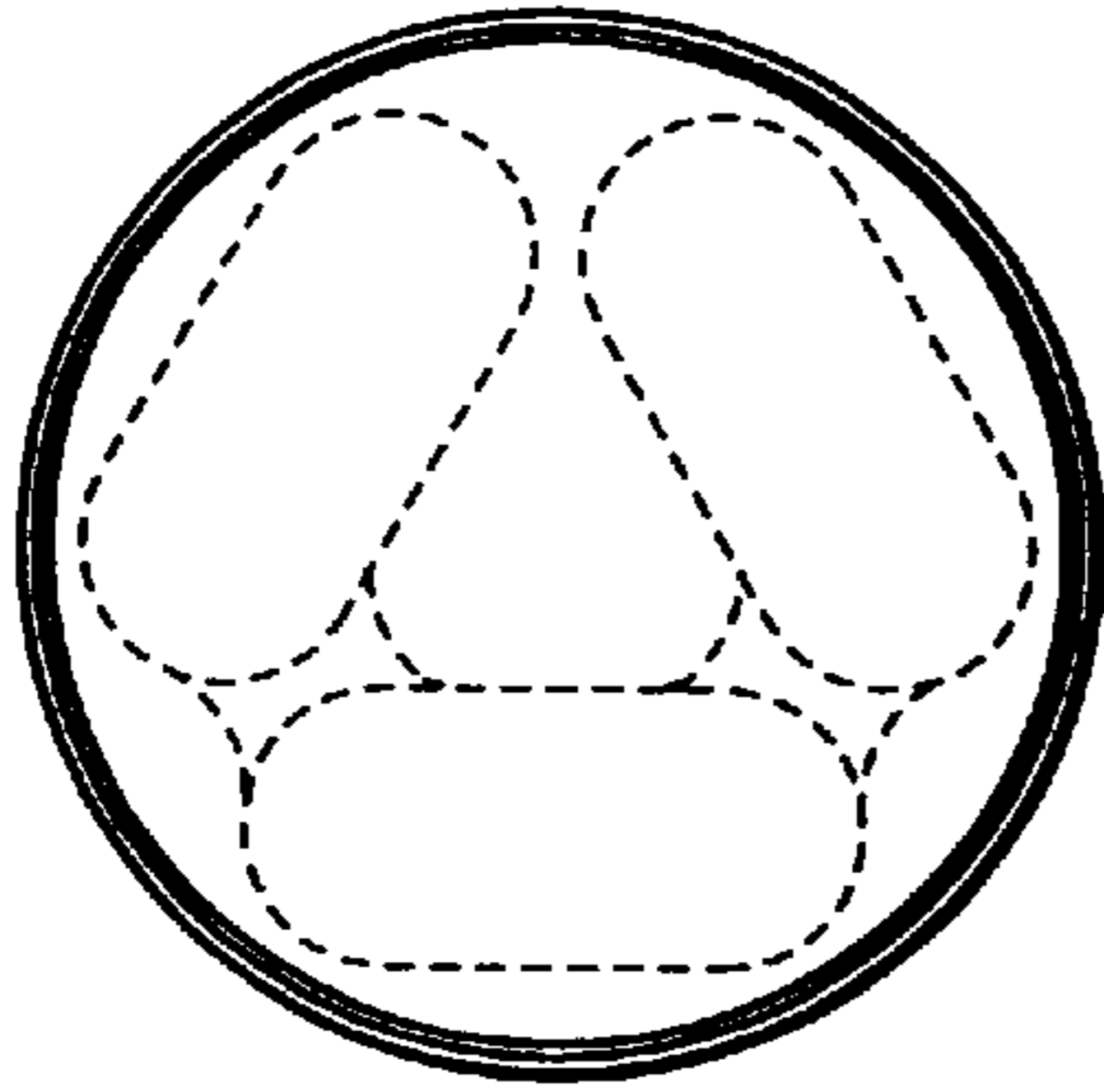


FIG. 5

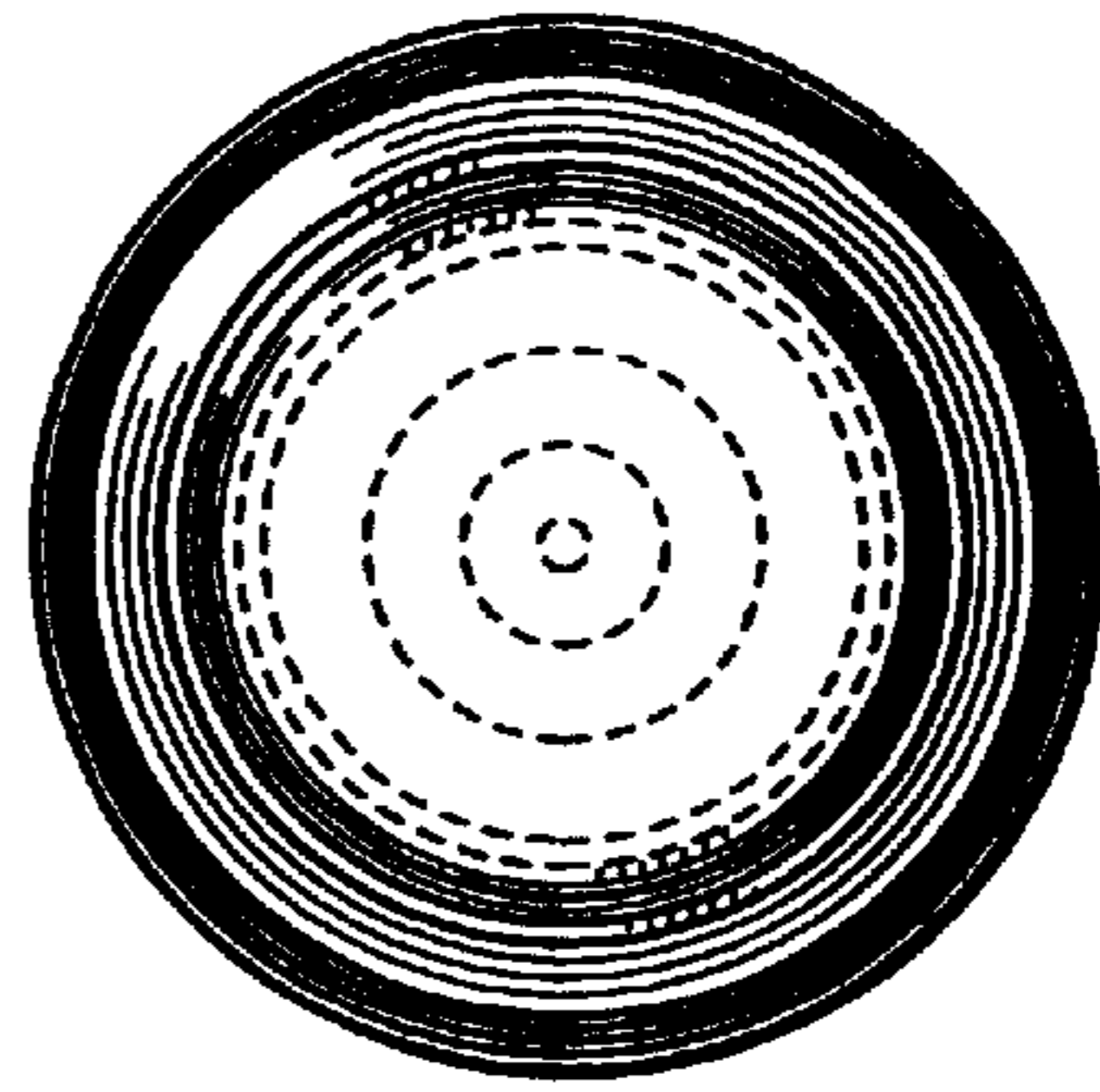


FIG. 6

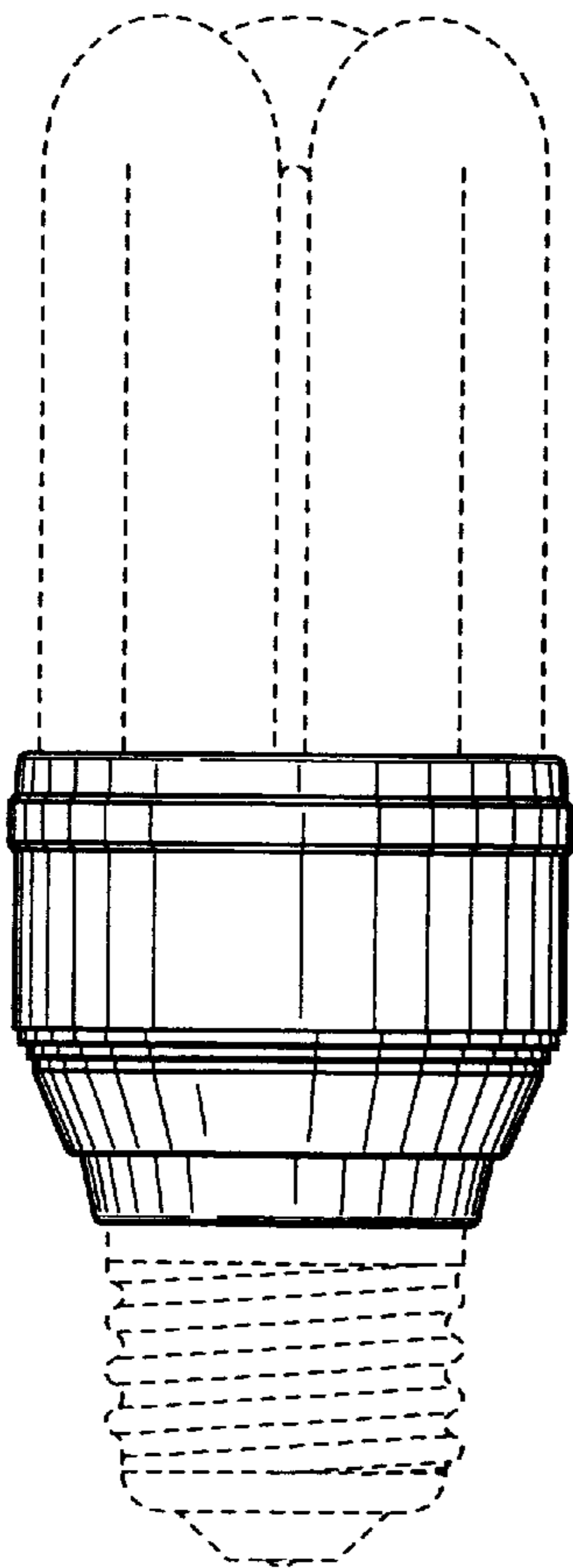


FIG. 7

