



US00D421134S

# United States Patent [19] Klijnstra

[11] Patent Number: **Des. 421,134**

[45] Date of Patent: **\*\* Feb. 22, 2000**

[54] **ADJUSTABLE WORK PLATFORM**

5,368,126 11/1994 Woodward et al. .... 182/223  
5,564,346 10/1996 Robben ..... 248/243

[75] Inventor: **Tjipke Gerard Klijnstra**, Nunspeet,  
Netherlands

*Primary Examiner*—Doris Clark  
*Attorney, Agent, or Firm*—Deveau & Marquis; Todd  
Deveau; Harold L. Marquis

[73] Assignee: **Altrex B. V.**, Netherlands, Netherlands

[\*\*] Term: **14 Years**

[57] **CLAIM**

[21] Appl. No.: **29/067,949**

The ornamental design for a adjustable work platform, as shown and described.

[22] Filed: **Mar. 18, 1997**

**DESCRIPTION**

[51] **LOC (7) Cl.** ..... **25-04**

FIG. 1 is a perspective view of the adjustable work platform showing our new design from above.

[52] **U.S. Cl.** ..... **D25/62**

FIG. 2 is a side-view thereof.

[58] **Field of Search** ..... D25/62; 182/112,  
182/141, 147, 222, 223; 248/243, 246

FIG. 3 is a frontal view thereof.

[56] **References Cited**

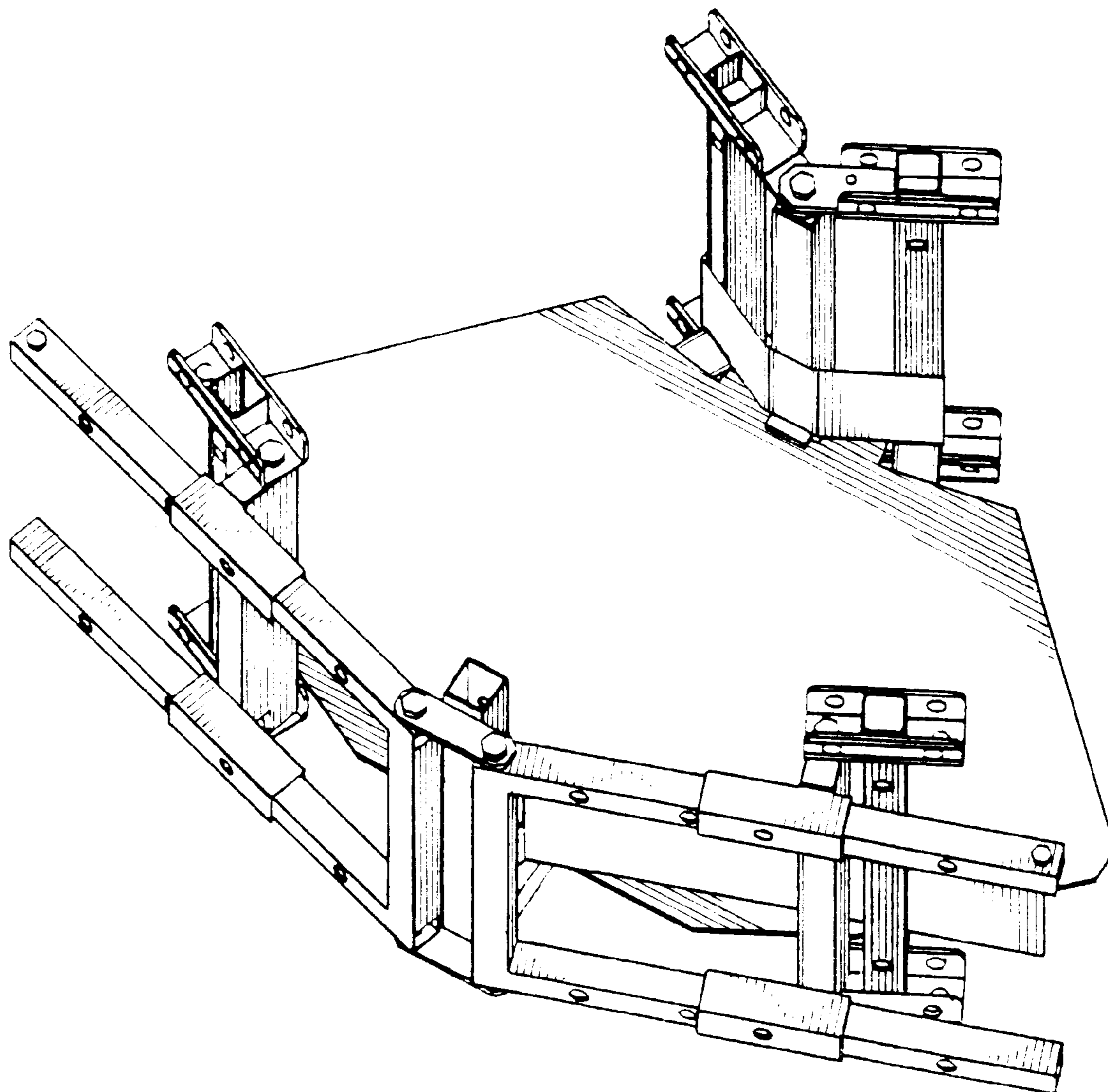
FIG. 4 is a plan view thereof from below; and,

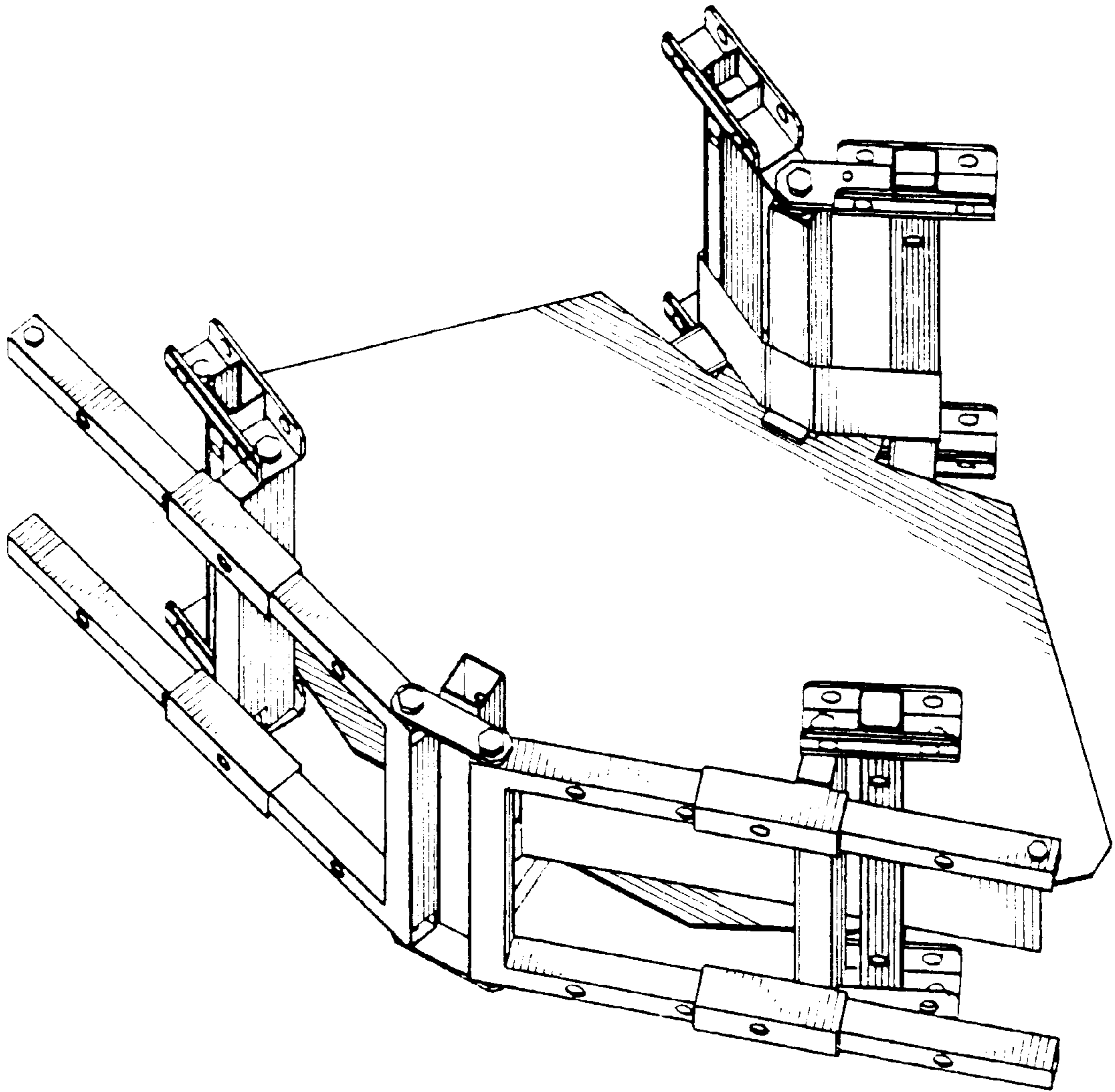
FIG. 5 is a plan view thereof from above.

**U.S. PATENT DOCUMENTS**

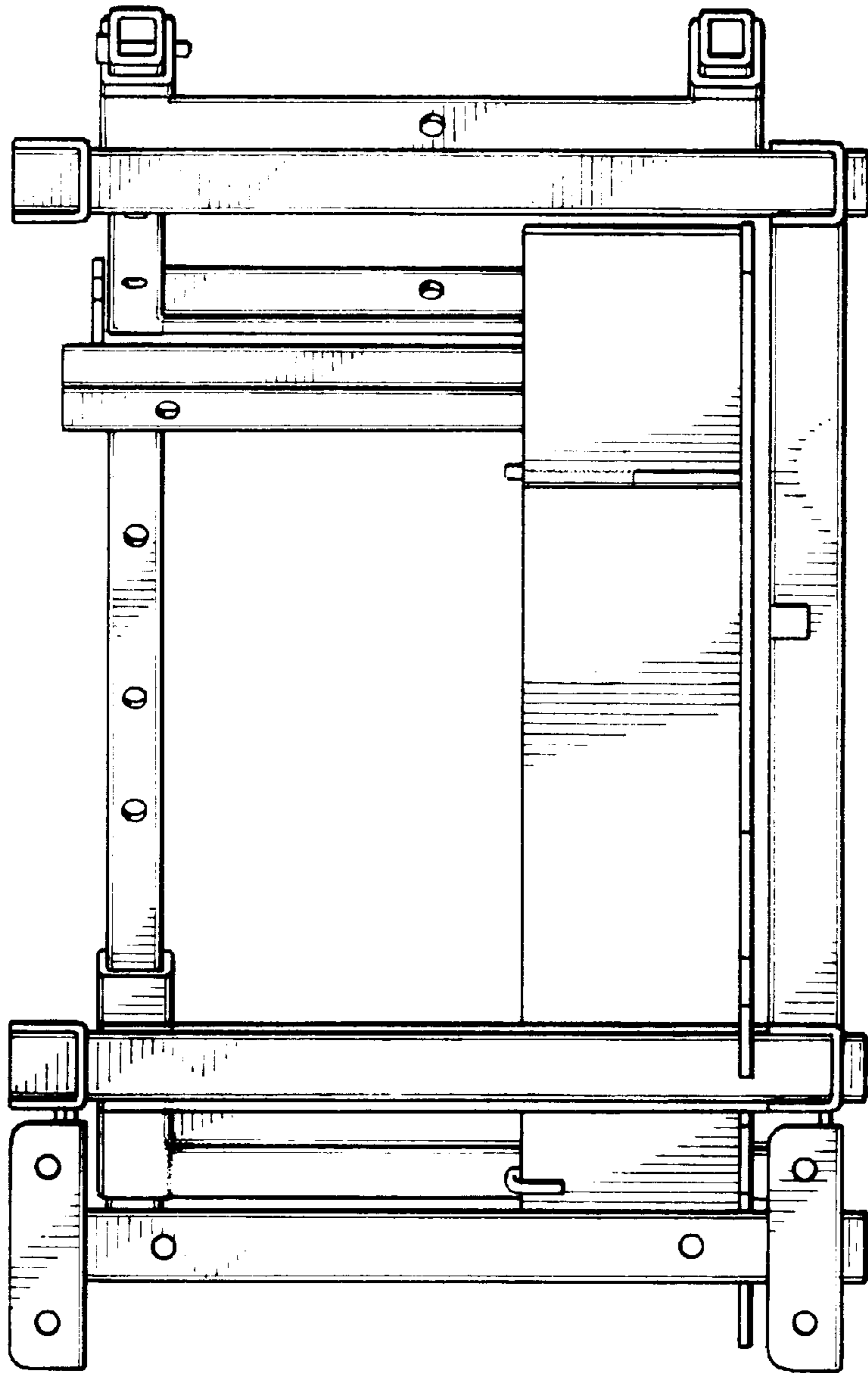
D. 329,903 9/1992 Craig ..... D25/62

**1 Claim, 5 Drawing Sheets**

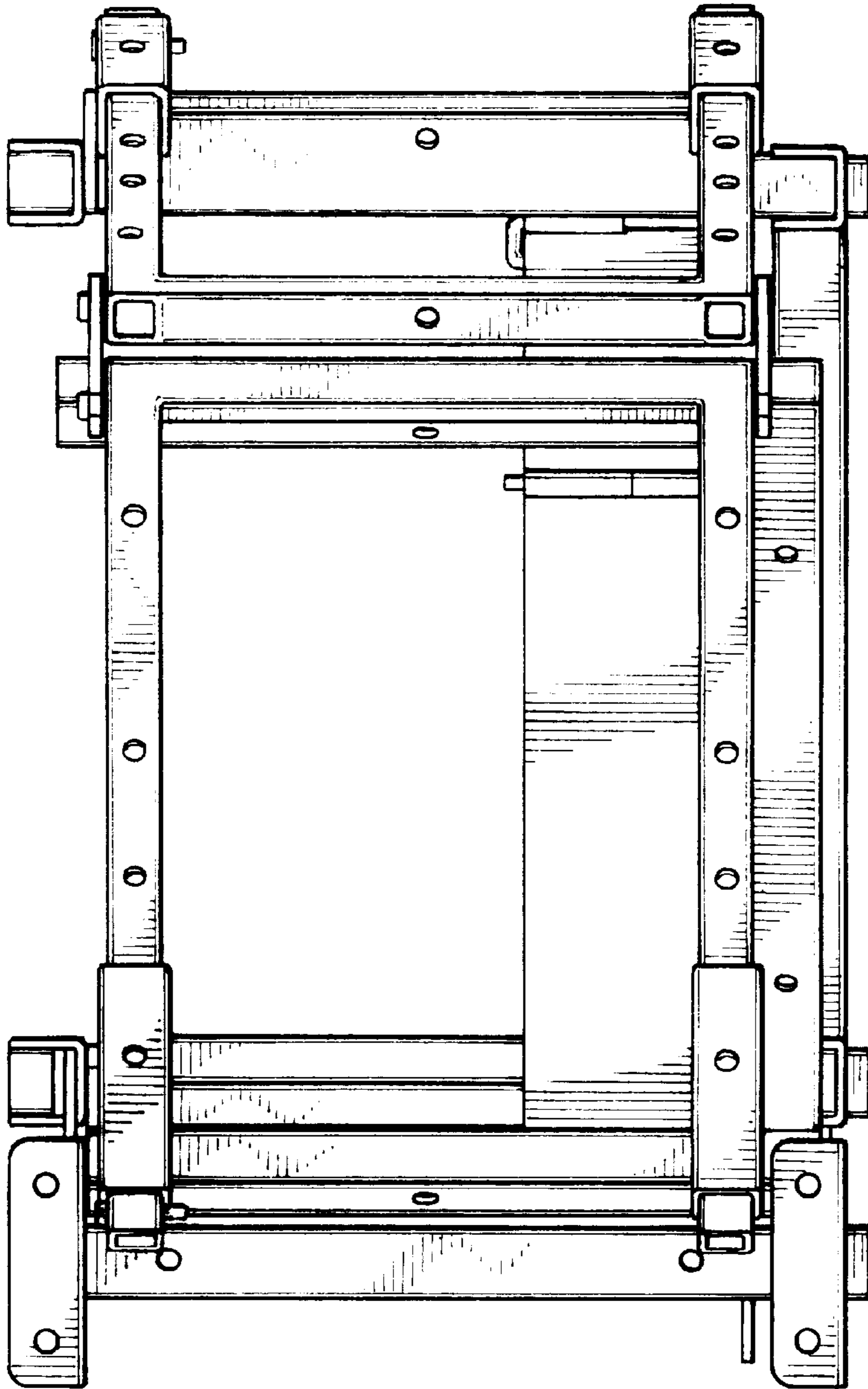




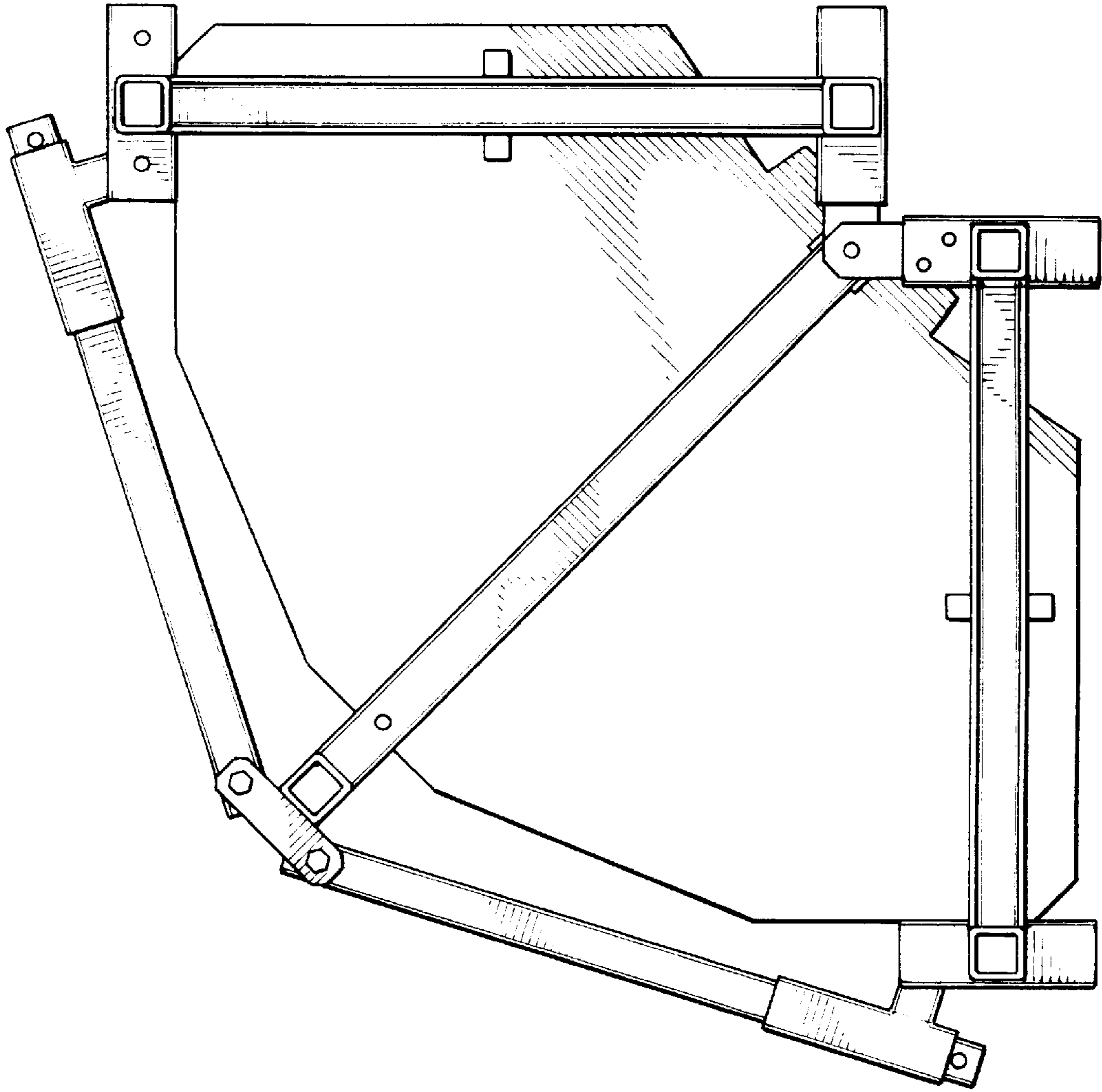
**FIG 1**



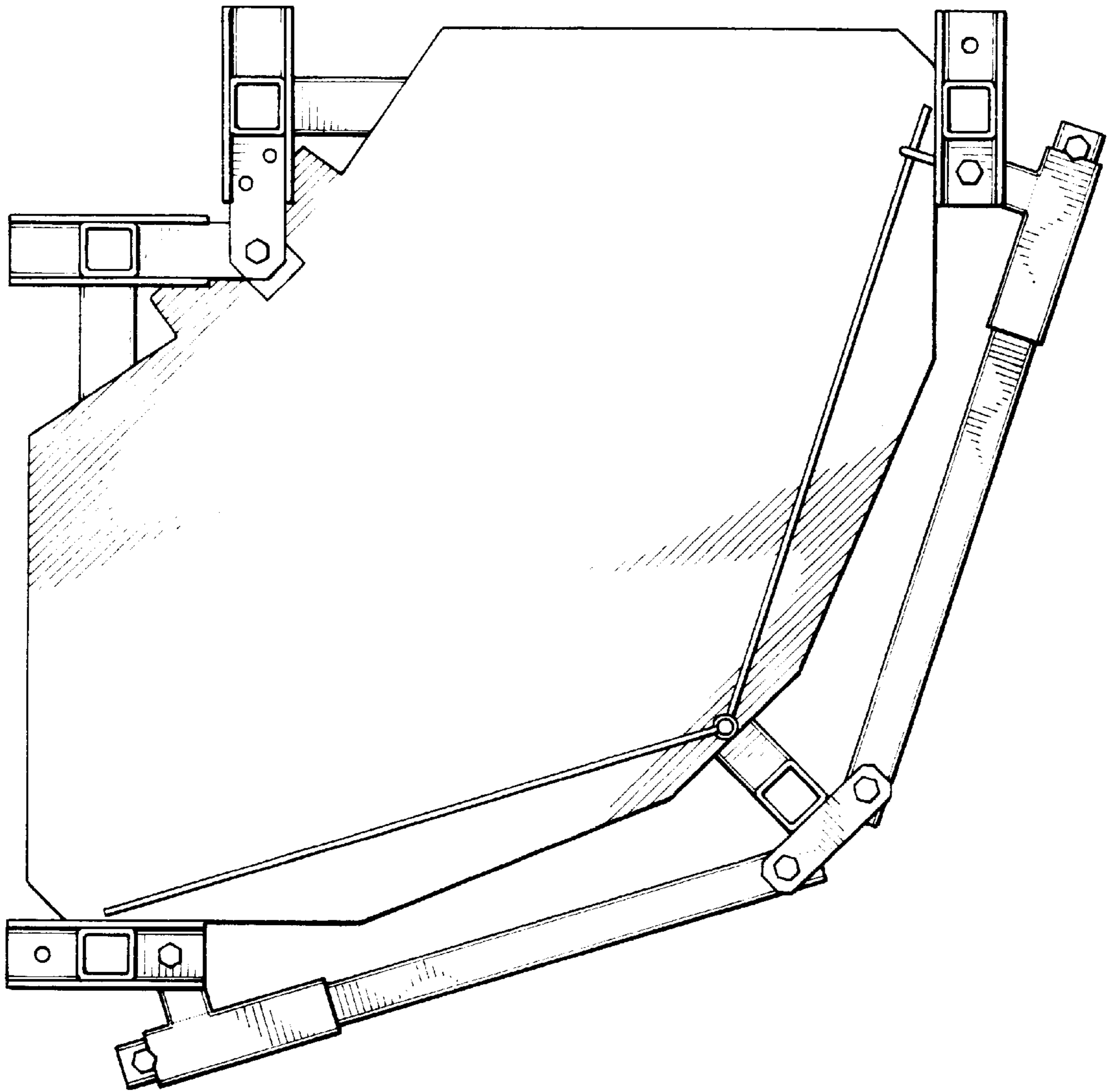
**FIG 2**



**FIG 3**



**FIG 4**



**FIG 5**