



US00D421132S

United States Patent [19] Chipman et al.

[11] Patent Number: Des. 421,132

[45] Date of Patent: ** Feb. 22, 2000

[54] CANOPY

[75] Inventors: **Robert G. Chipman**, Austin, Tex.;
Brian J. Kane, San Francisco, Calif.;
Arno R. Yurk, Kalamazoo, Mich.

[73] Assignee: **Landscape Forms, Inc.**, Kalamazoo, Mich.

[*] Notice: This patent is subject to a terminal disclaimer.

[**] Term: **14 Years**

[21] Appl. No.: **29/098,198**

[22] Filed: **Dec. 23, 1998**

[51] LOC (7) Cl. **25-02**

[52] U.S. Cl. **D25/56**

[58] Field of Search D25/56; 135/87,
135/90, 908

5,255,897 10/1993 Pepper 256/24
5,524,405 6/1996 Byrd 52/295
5,649,688 7/1997 Baker 256/21

FOREIGN PATENT DOCUMENTS

2589-184 4/1987 France .
631566 11/1949 United Kingdom .

OTHER PUBLICATIONS

“Shelters”, marketed by Brasco International, Detroit, MI, Sweets Catalog 1998, BuyLine 0250, 3 pp.

“Shelters”, marketed by Cambridge Designs, Greenville, AL, Sweets Catalog 1998, 1 page.

“Poligon Park Architecture”, Sweets Catalog 1998, BuyLine 4455, 4 pp.

Primary Examiner—Doris Clark

Attorney, Agent, or Firm—Heslin & Rothenberg, P.C.

[57] CLAIM

The ornamental design for a canopy, as shown and described.

DESCRIPTION

FIG. 1 is an isometric view of the canopy of our new design;

FIG. 2 is a front elevational view thereof;

FIG. 3 is a rear elevational view thereof;

FIG. 4 is a right side elevational view thereof, the left side elevational view being a mirror image thereof;

FIG. 5 is a top plan view thereof; and,

FIG. 6 is a bottom plan view thereof.

The broken line showing in the drawing figures is for illustrative purposes only and form no part of the claimed design.

1 Claim, 4 Drawing Sheets

[56] References Cited

U.S. PATENT DOCUMENTS

D. 200,851	4/1965	Wise	D15/1
D. 260,059	8/1981	Vorwerck	D6/54
334,584	1/1886	Haynes	.	
D. 338,073	8/1993	Wall	D25/56
D. 375,800	11/1996	Wagner	D25/56
536,131	3/1895	Coldwell	.	
2,128,539	10/1938	Roach	108/1
3,195,274	7/1965	Utig	50/49
3,303,851	2/1967	Grunfeld	135/7.1
4,621,865	11/1986	Herrera	297/157
4,796,391	1/1989	Lu	52/73
5,185,972	2/1993	Markiewicz	135/908
5,200,240	4/1993	Baker	428/34.1

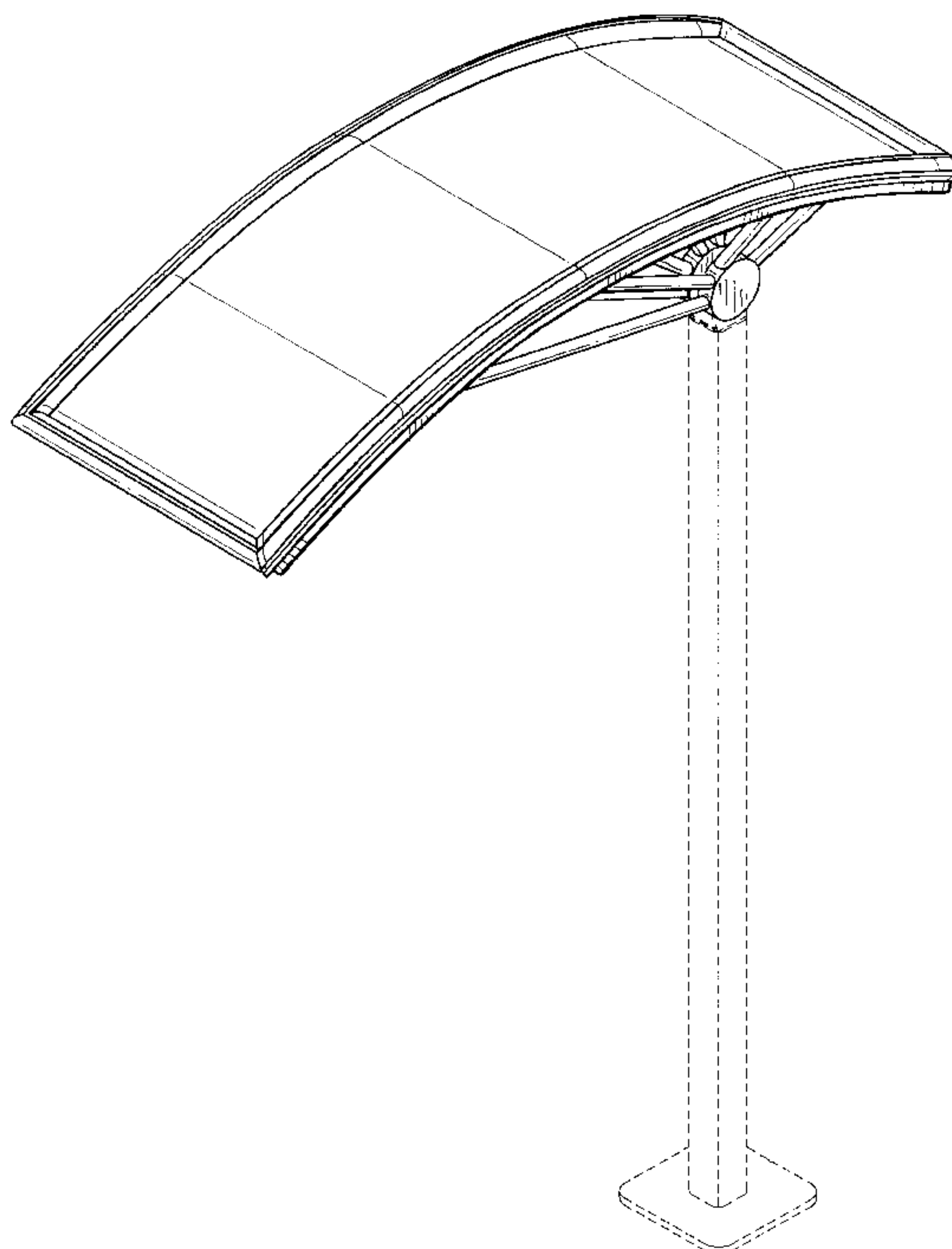


FIG. 1

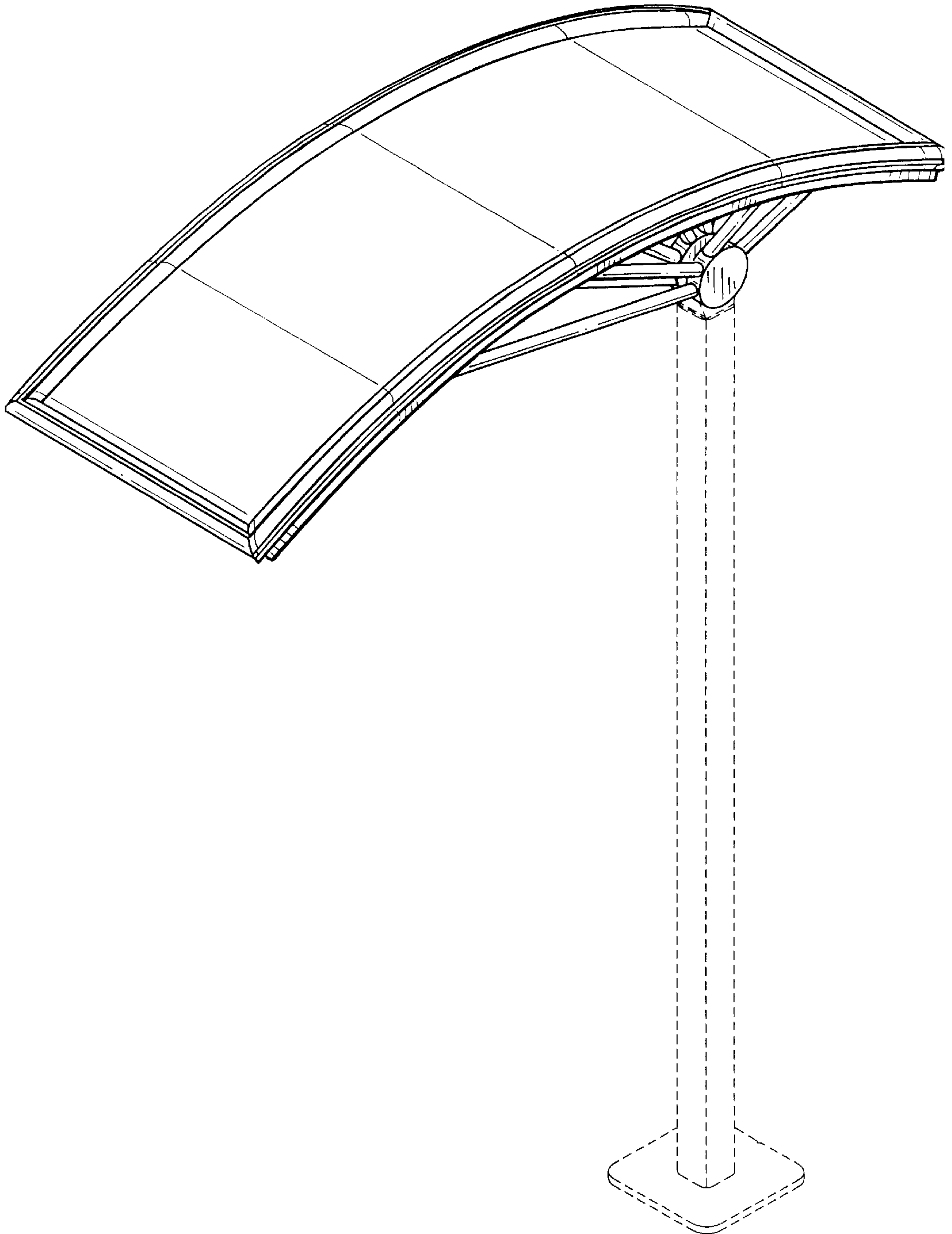


FIG. 2

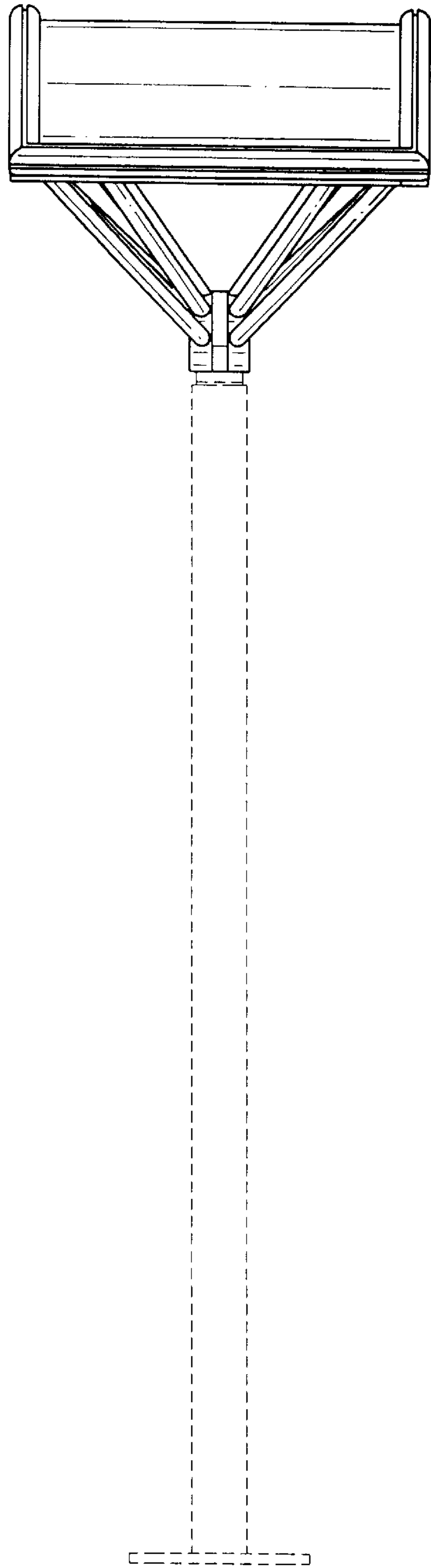


FIG. 3

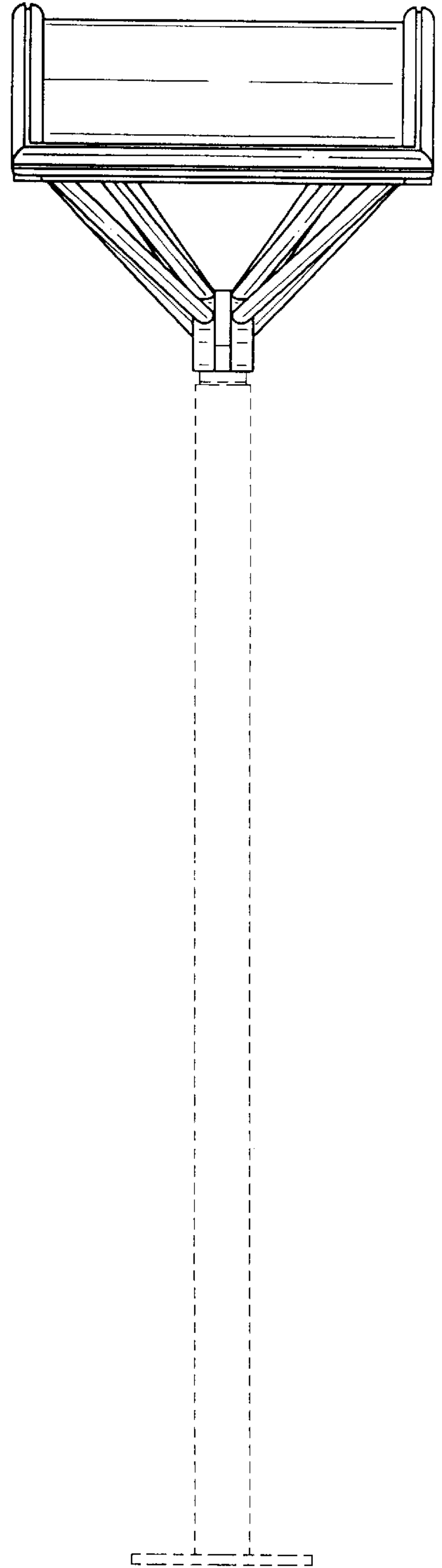


FIG. 4

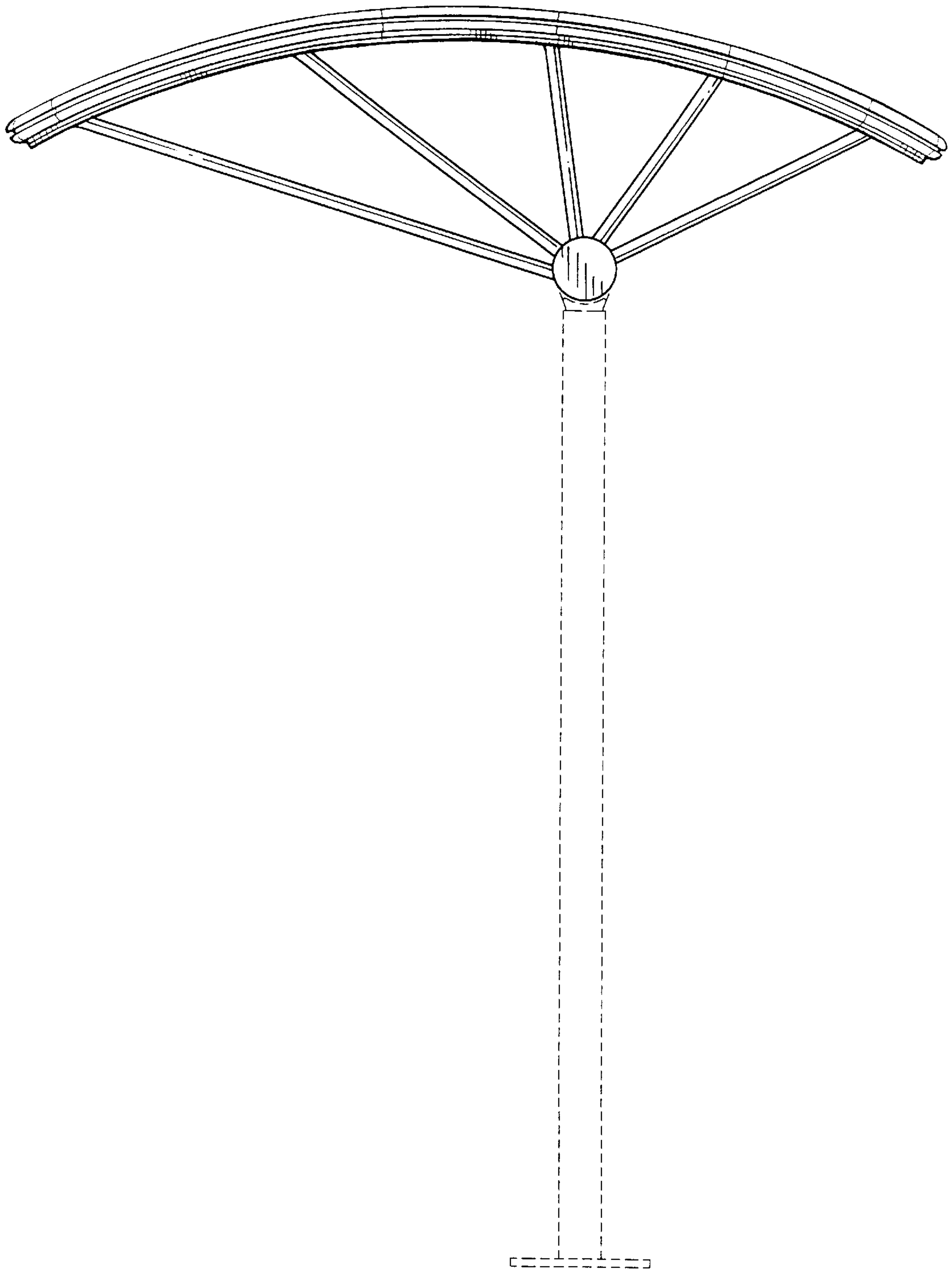


FIG. 5

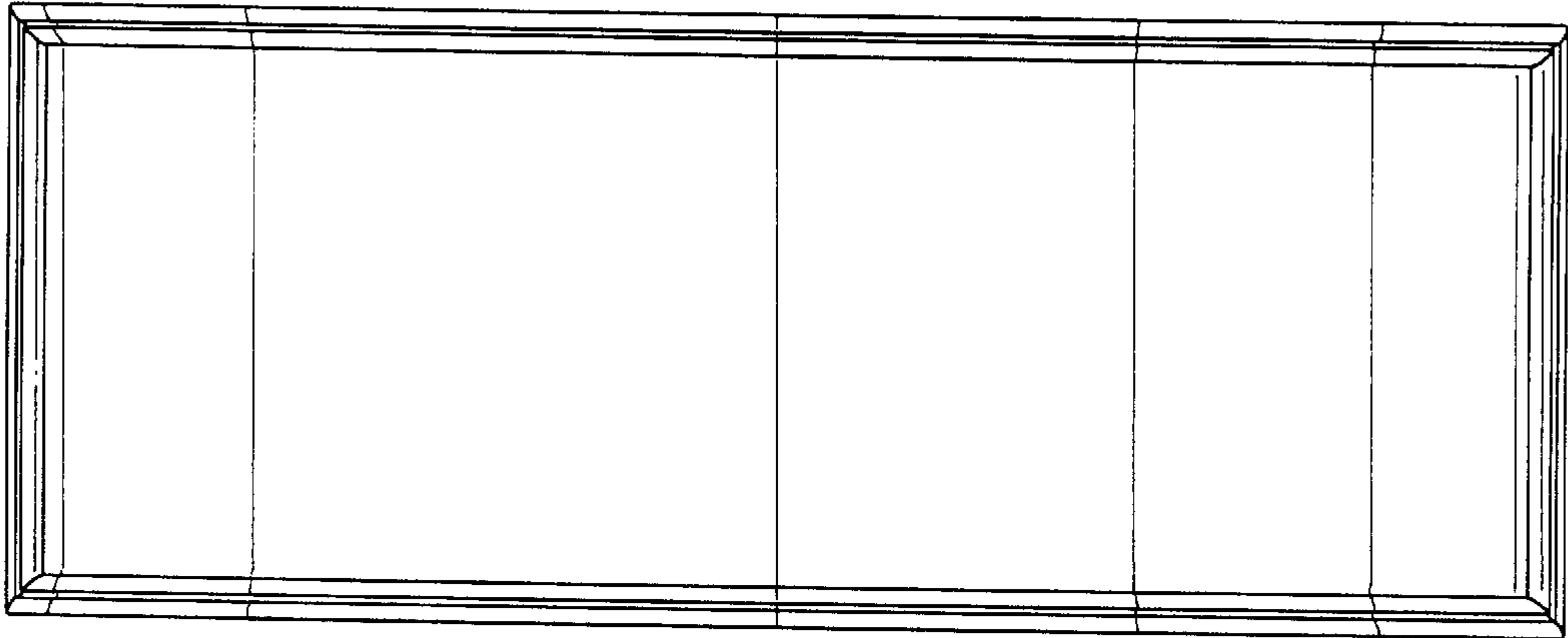


FIG. 6

