



US00D421130S

United States Patent [19]

Cohen et al.

[11] Patent Number: Des. 421,130

[45] Date of Patent: ** Feb. 22, 2000

[54] SAMPLE TUBE RACK

5,009,316 4/1991 Klein D24/224 X
5,650,125 7/1997 Bosanquet 422/102

[75] Inventors: **Beri Cohen**, Hartsdale; **Thomas DeYoung**, Stormville, both of N.Y.

Primary Examiner—Stella Reid
Assistant Examiner—I Simmons
Attorney, Agent, or Firm—Andrew L. Klawitter, Esq.;
Rodman & Rodman

[73] Assignee: **Bayer Corporation**, Tarrytown, N.Y.

[**] Term: 14 Years

[57] CLAIM

[21] Appl. No.: 29/089,359

The ornamental design for a sample tube rack, as shown and described.

[22] Filed: Jun. 15, 1998

DESCRIPTION

[51] LOC (7) Cl. 06-04

[52] U.S. Cl. D24/229; D24/230

[58] Field of Search D24/227, 224,
D24/230, 229; 211/74, 70.1; 422/102, 104,
65, 63

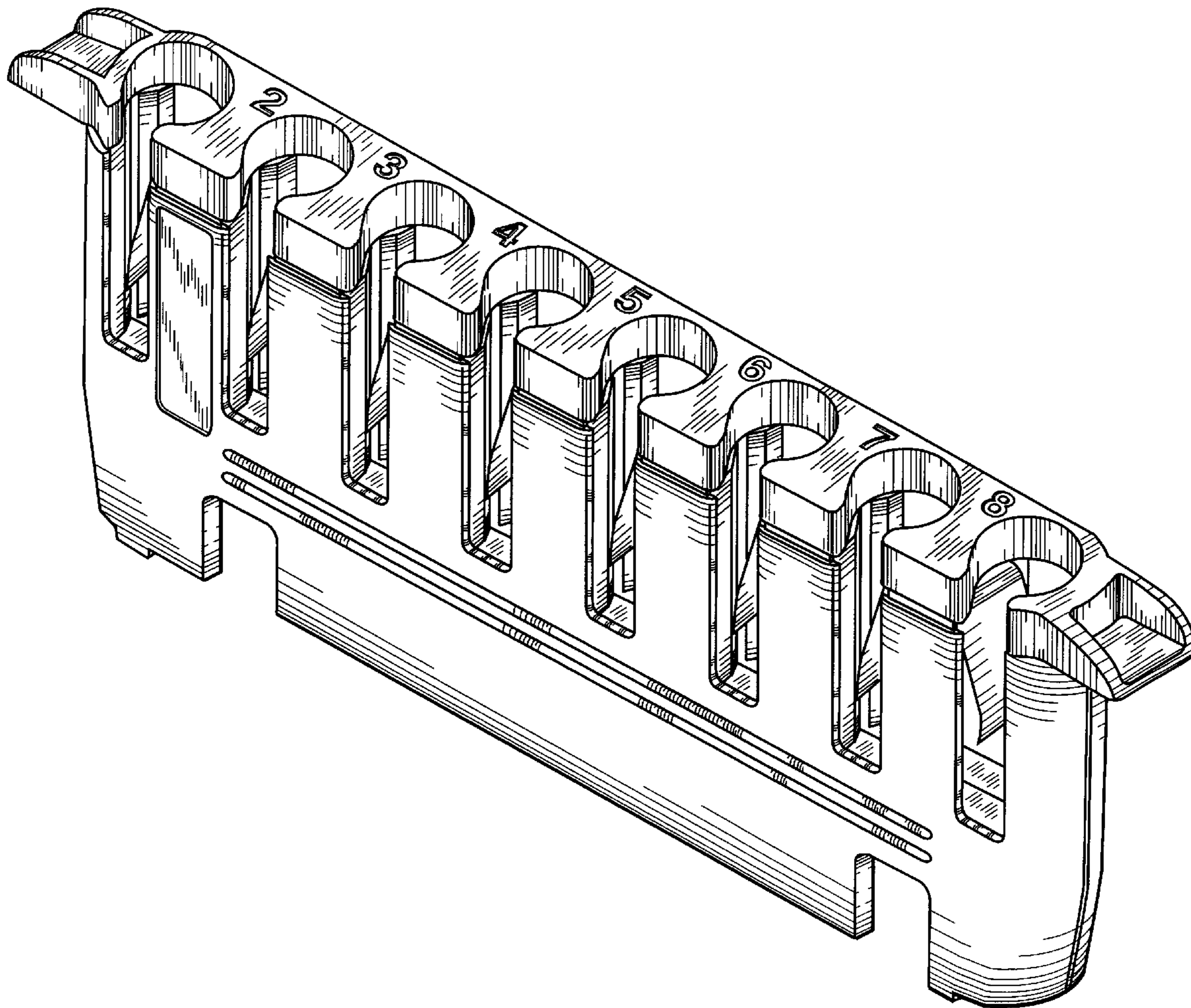
FIG. 1 is a perspective view of a sample tube rack showing our new design;
FIG. 2 is a front elevational view thereof;
FIG. 3 is a rear elevational view thereof;
FIG. 4 is a top view thereof;
FIG. 5 is a bottom view thereof;
FIG. 6 is an end view thereof; and,
FIG. 7 is an opposite end view thereof.

[56] References Cited

U.S. PATENT DOCUMENTS

D. 332,145 12/1992 Wada et al. D24/227
D. 333,522 2/1993 Gianino D24/229

1 Claim, 5 Drawing Sheets



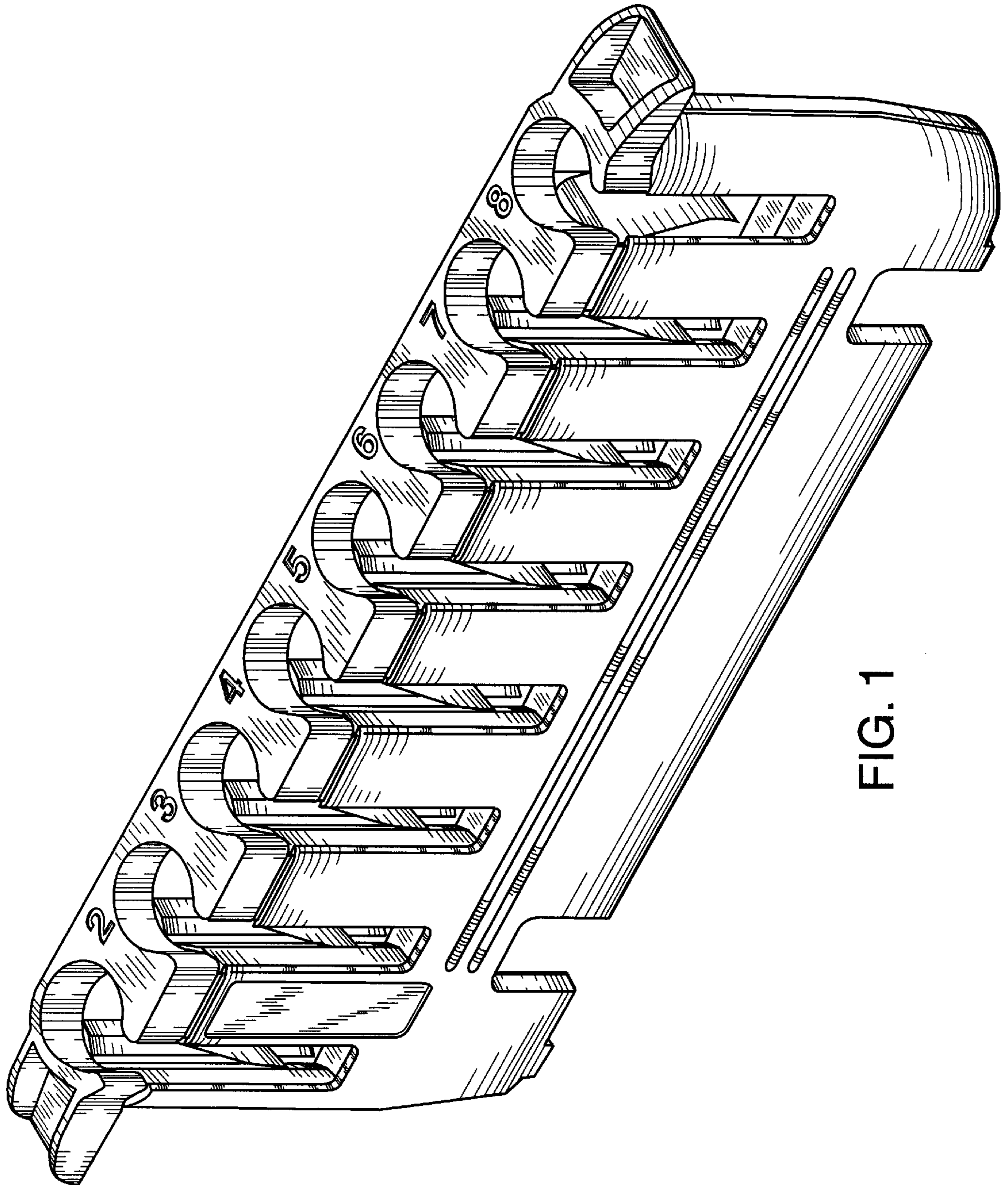


FIG. 1

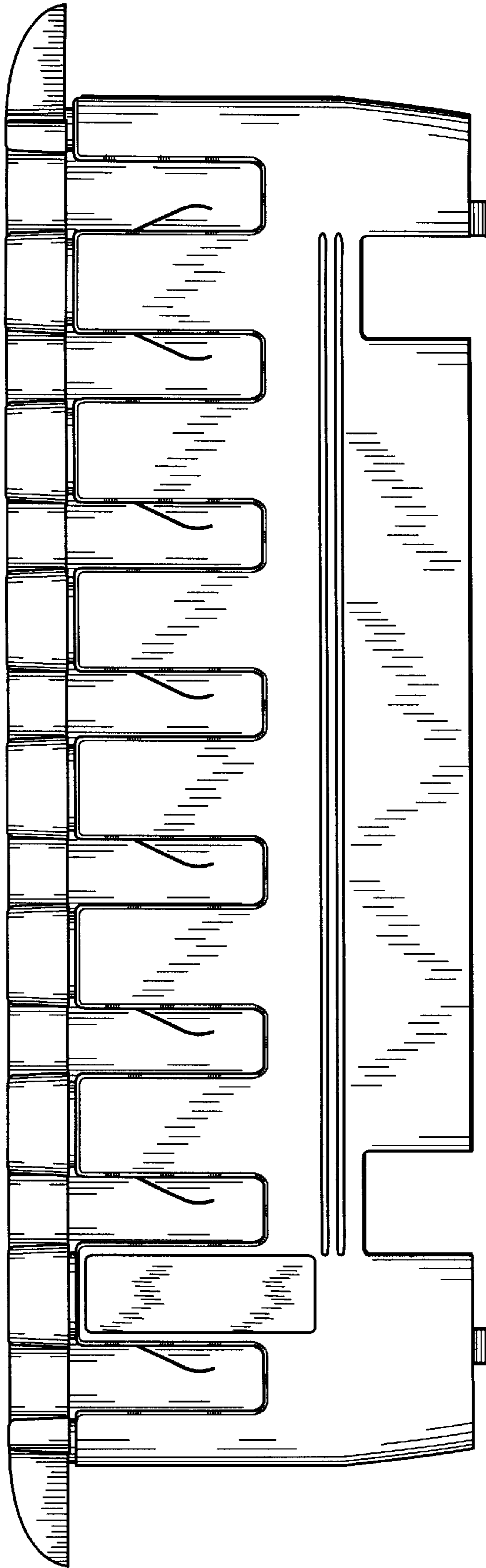


FIG. 2

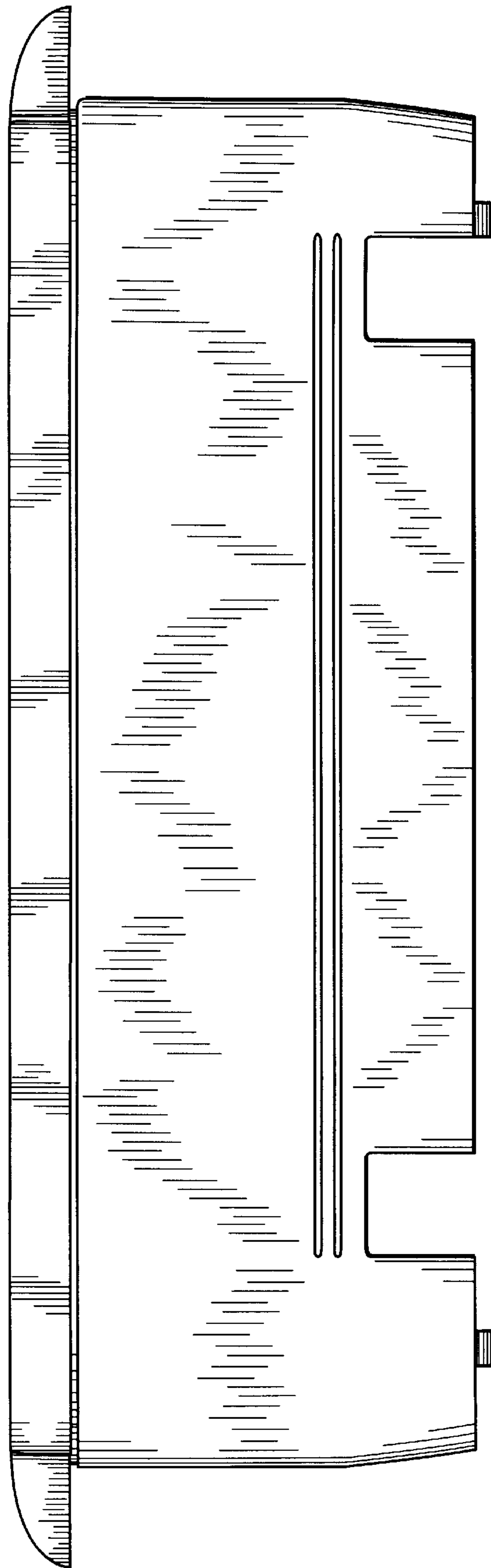


FIG. 3

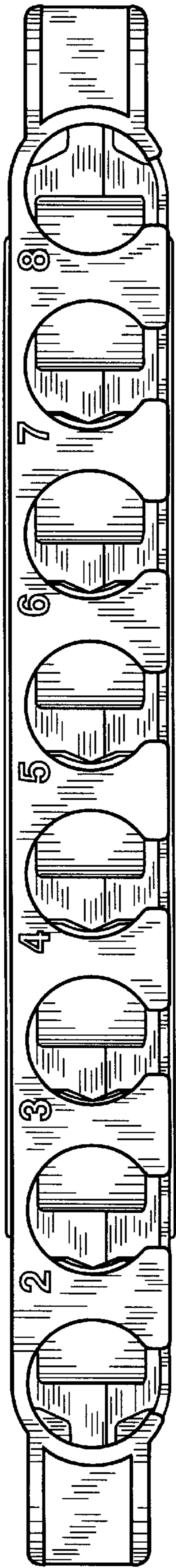


FIG. 4

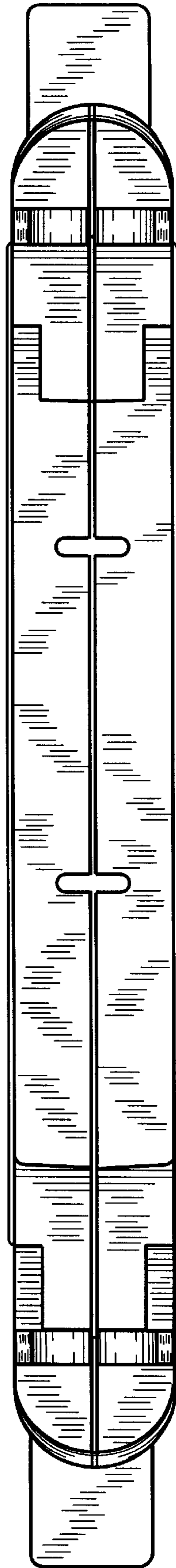


FIG. 5

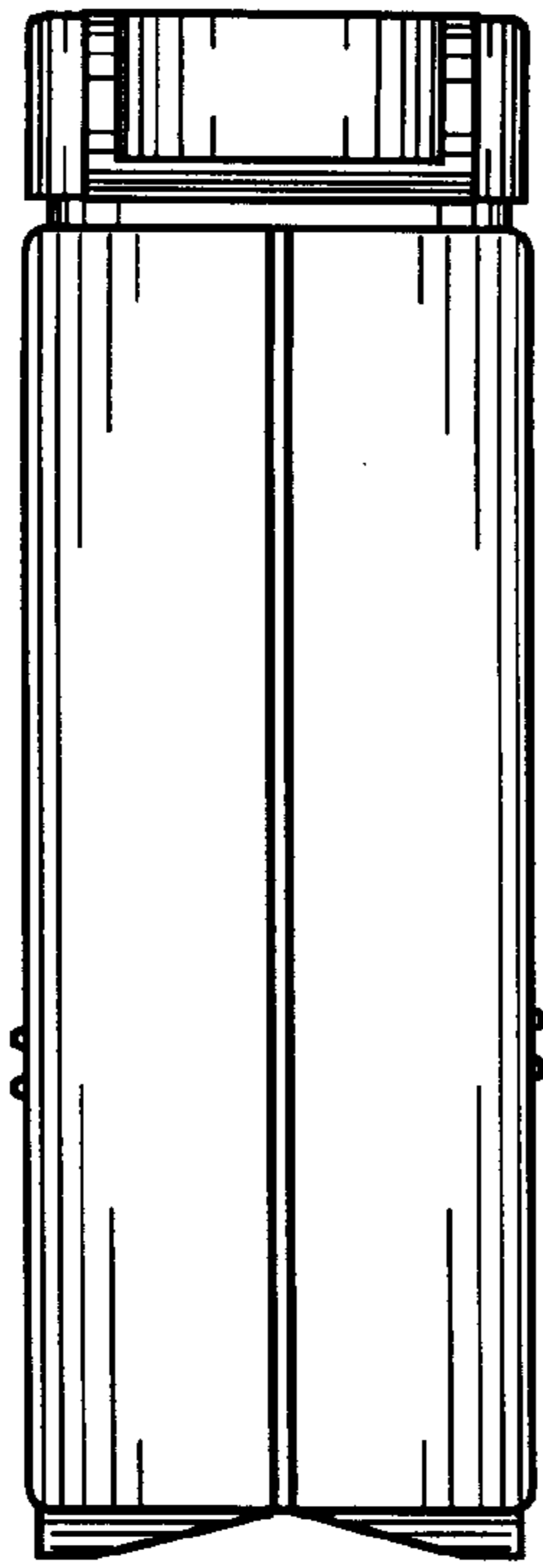


FIG. 6

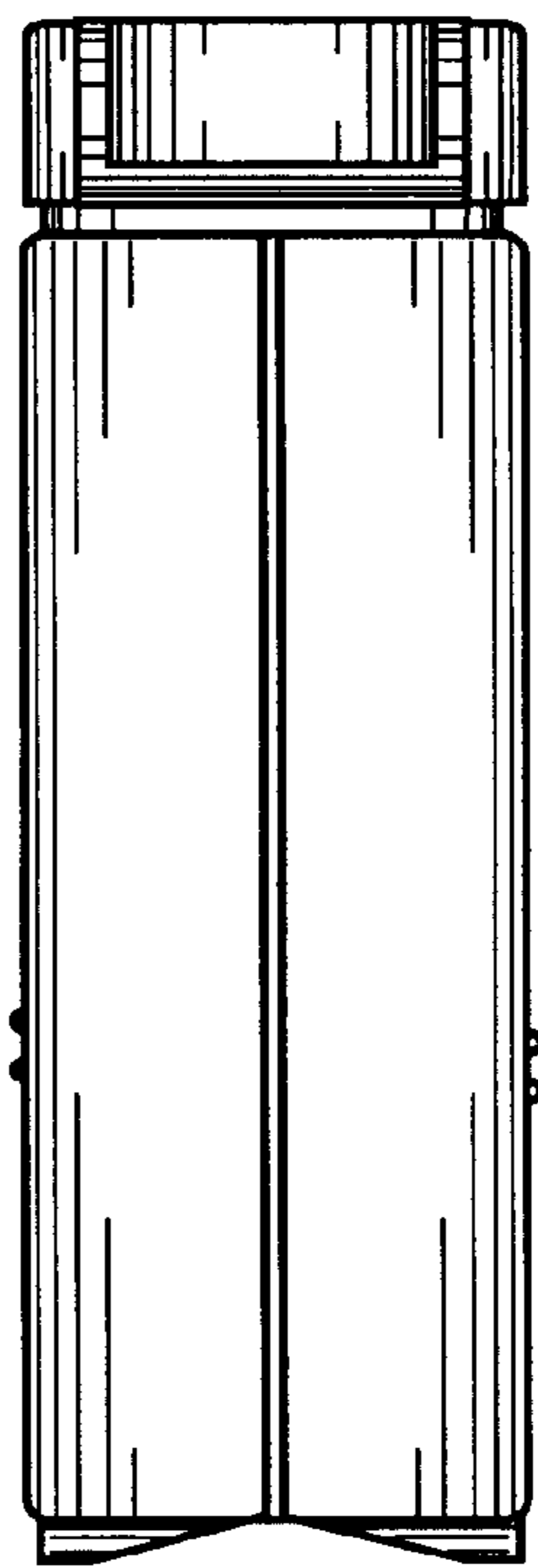


FIG. 7