



US00D421129S

United States Patent [19]
Haynes

[11] **Patent Number: Des. 421,129**

[45] **Date of Patent: ** Feb. 22, 2000**

[54] **SPERM SEPARATOR**

3,165,450 1/1965 Scheidt 435/305.2
4,945,061 7/1990 Iskander 435/305.1
5,908,380 6/1999 Zavos et al. 600/33

[76] Inventor: **John T. Haynes**, 314 First Monday La.,
Canton, Tex. 75103

Primary Examiner—Stella Reid
Attorney, Agent, or Firm—C. W. Alworth

[**] Term: **14 Years**

[57] **CLAIM**

[21] Appl. No.: **29/089,216**

The ornamental design for a sperm separator, as shown and described.

[22] Filed: **Jun. 10, 1998**

[51] **LOC (7) Cl.** **24-01**

DESCRIPTION

[52] **U.S. Cl.** **D24/224; D24/226**

[58] **Field of Search** D24/224, 226;
435/283.1, 288.3, 288.4, 288.5, 288.6, 305.1,
305.2, 305.3

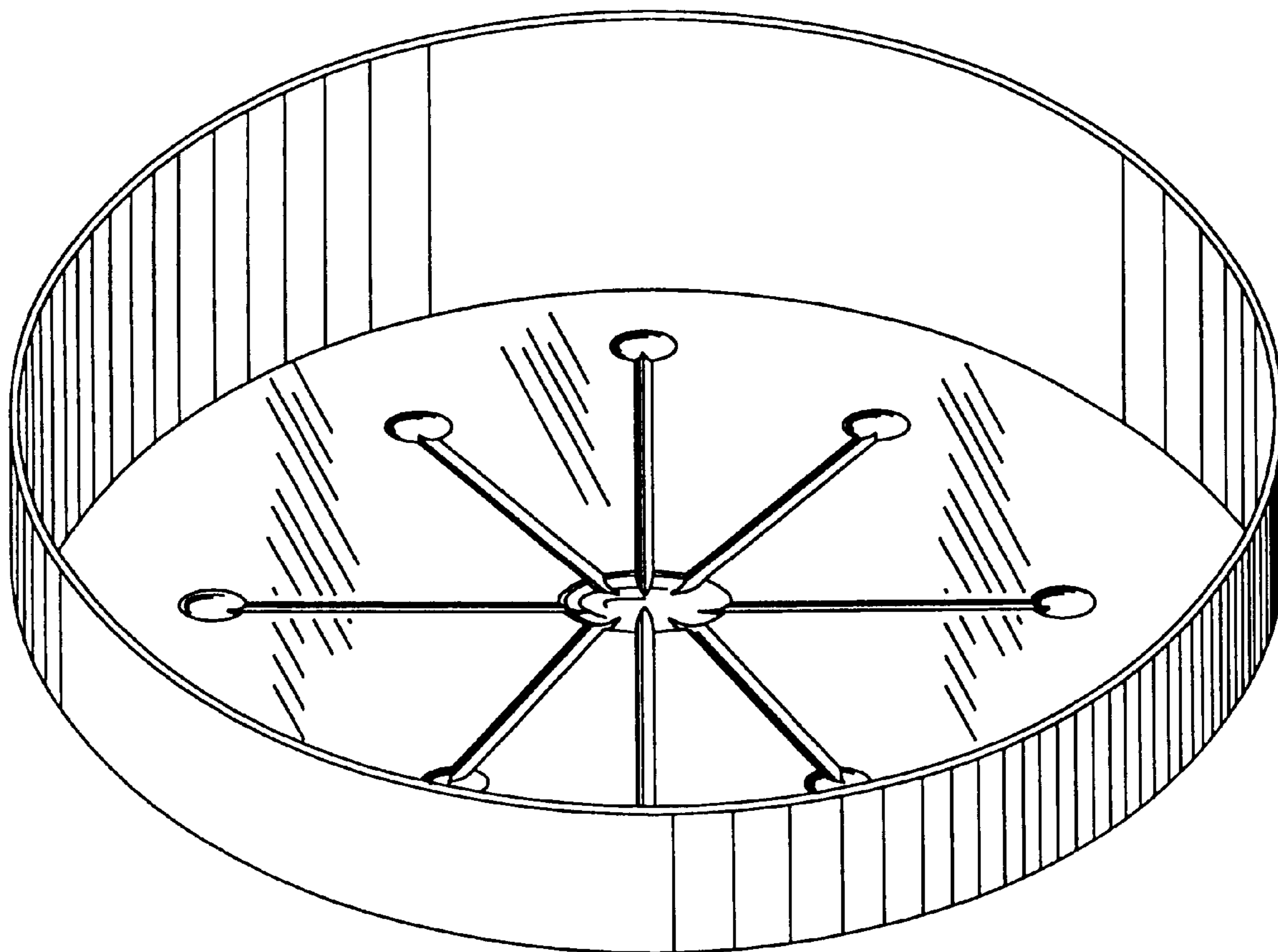
FIG. 1 is an isometric view of a sperm separator, showing my new design;
FIG. 2 is a top view thereof;
FIG. 3 is a bottom view thereof; and,
FIG. 4 is a side elevational view thereof, with all other sides being identical to that shown.

[56] **References Cited**

U.S. PATENT DOCUMENTS

2,874,091 2/1959 Fisk 435/305.3

1 Claim, 4 Drawing Sheets



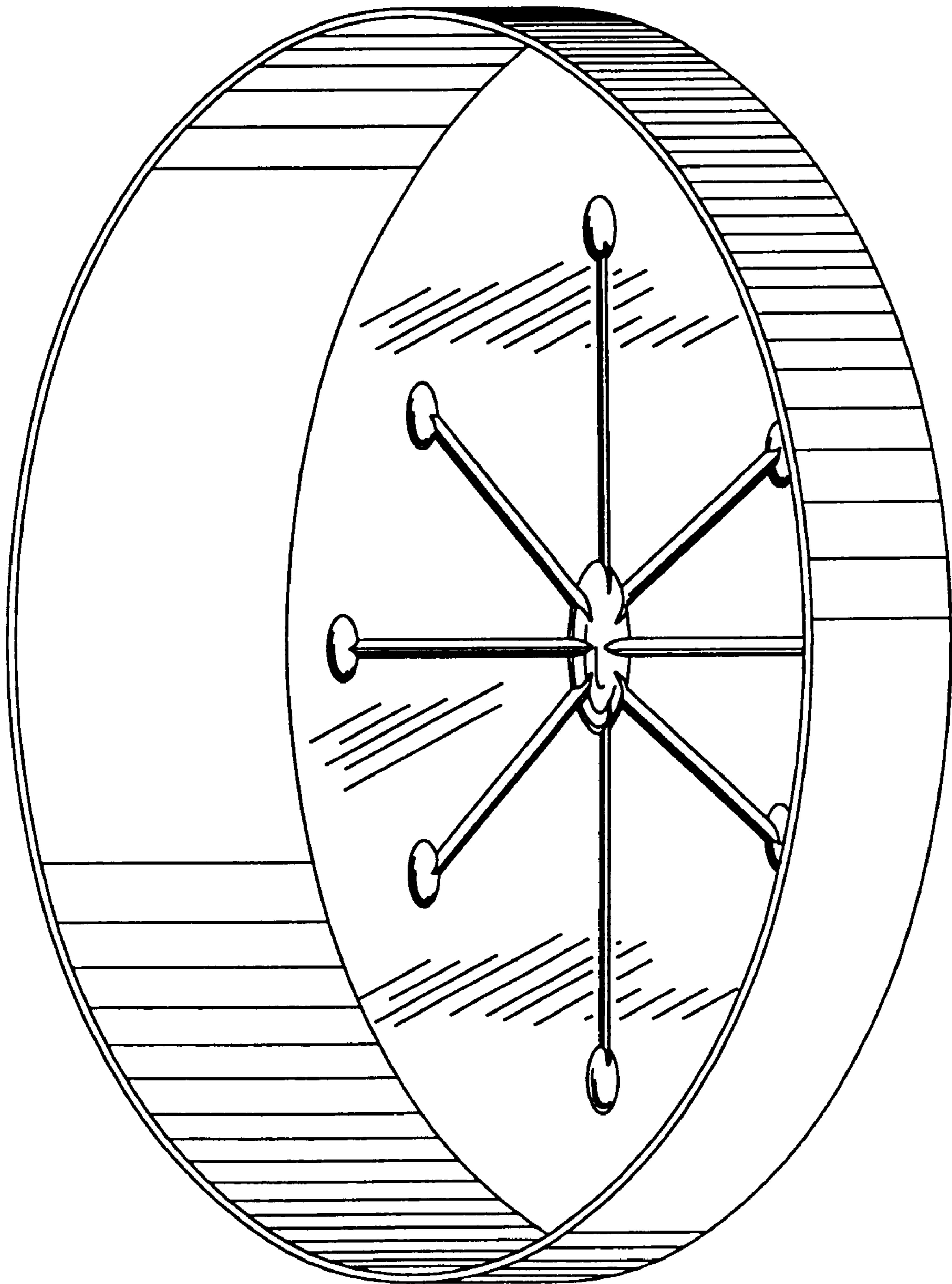


FIGURE 1

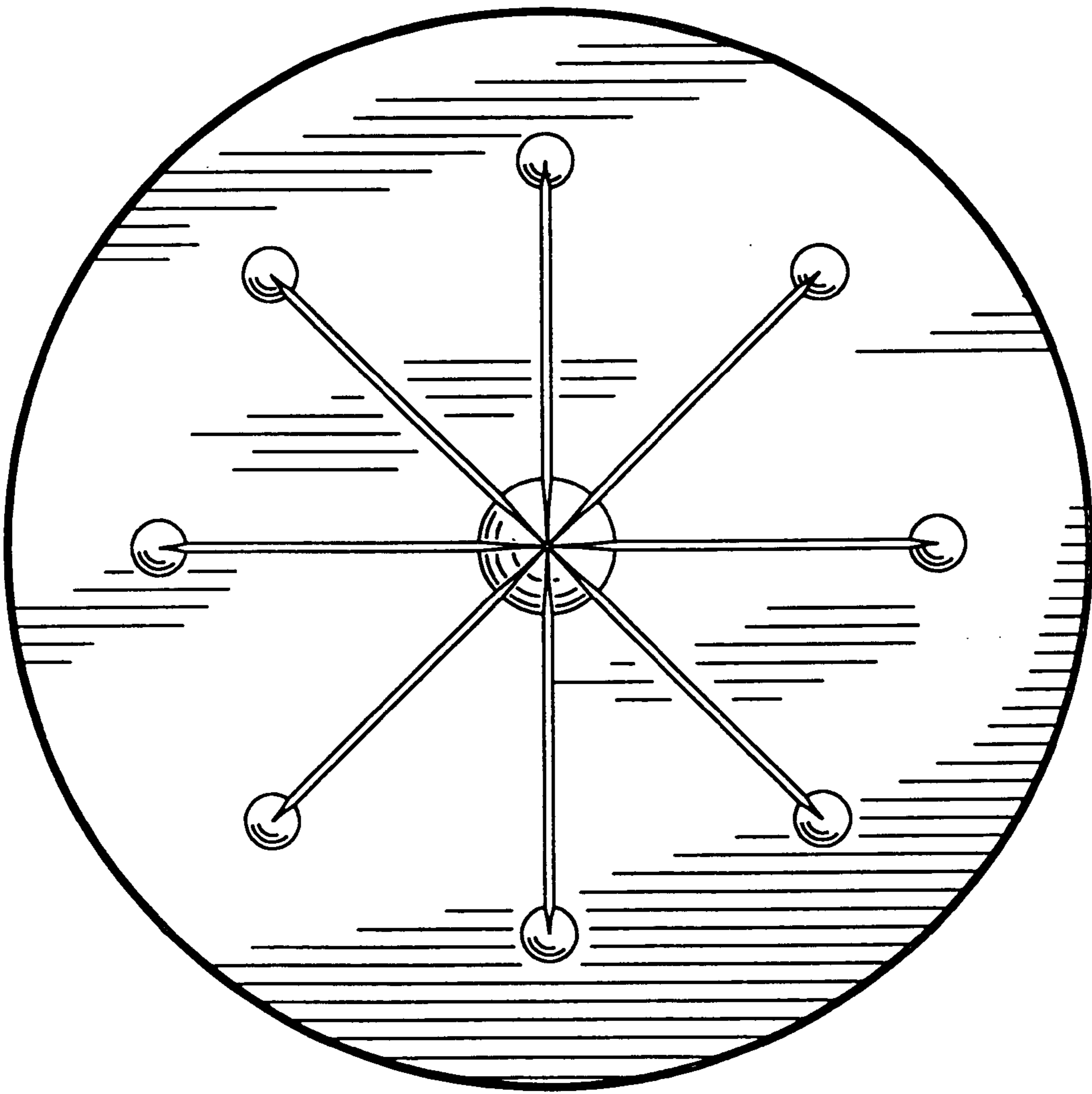


FIGURE 2

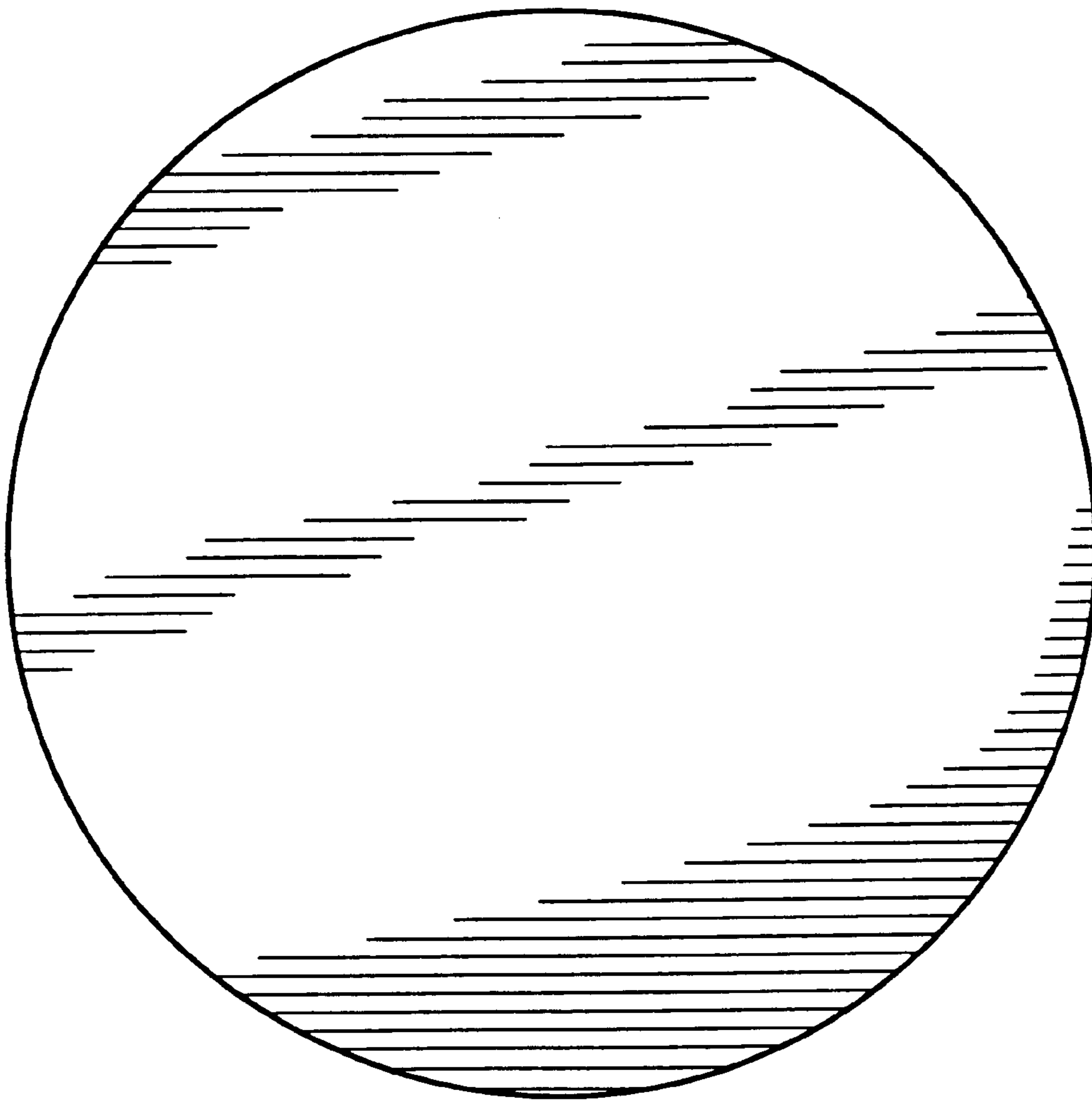


FIGURE 3

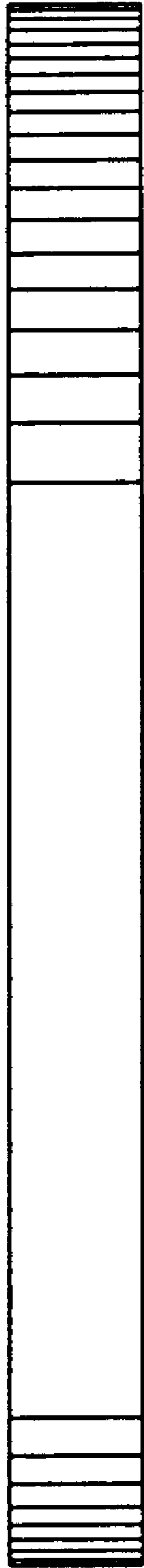


FIGURE 4