



US00D421127S

United States Patent [19]
Garcia

[11] **Patent Number: Des. 421,127**

[45] **Date of Patent: ** Feb. 22, 2000**

[54] **BABY BOTTLE NIPPLE**

5,209,372 5/1993 Norwood 220/666
5,878,899 3/1999 Manganiello et al. 215/11.6

[76] Inventor: **Guillermo Garcia**, 2908 Southwest Dr.,
Los Angeles, Calif. 90043

Primary Examiner—Stella Reid
Attorney, Agent, or Firm—Goldstein & Canino

[**] Term: **14 Years**

[57] **CLAIM**

[21] Appl. No.: **29/105,582**

The ornamental design for a baby bottle nipple, as shown
and described.

[22] Filed: **May 28, 1999**

DESCRIPTION

[51] **LOC (7) Cl.** **07-01**

[52] **U.S. Cl.** **D24/196**

[58] **Field of Search** D24/196, 193,
D24/194, 197; 215/11.1, 11.2, 11.3, 11.4,
11.5, 11.6

FIG. 1 is a perspective view of a nursing bottle nipple,
showing my new design, the broken line showing of the
baby bottle being for illustrative purposes only and forming
no part of the claimed design.

FIG. 2 is another perspective view thereof.

FIG. 3 is a left side elevational view thereof.

FIG. 4 is a right side elevational view thereof.

FIG. 5 is a front elevational view thereof, the rear elevational
view being a mirror image of the front view.

FIG. 6 is a top plan view thereof; and,

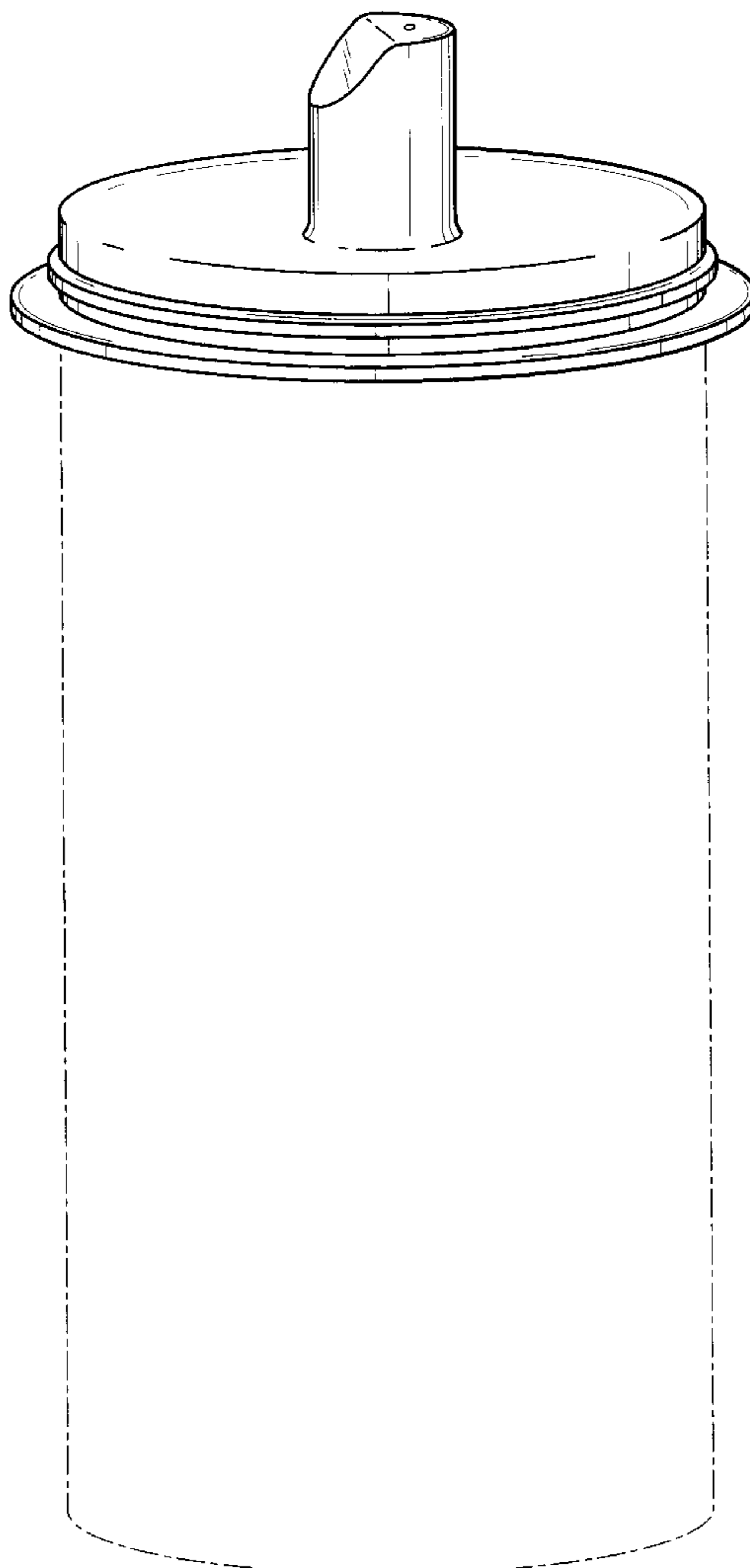
FIG. 7 is a bottom plan view thereof.

[56] **References Cited**

U.S. PATENT DOCUMENTS

D. 294,735	3/1988	Morano et al.	D24/196
D. 310,567	9/1990	Fitzpatrick	D24/197
D. 314,431	2/1991	Bielefeldt	D24/197
3,075,666	1/1963	Hoffstien	215/11.3
4,979,629	12/1990	Askerneese	215/11.1
5,129,532	7/1992	Martin	215/11.1

1 Claim, 3 Drawing Sheets



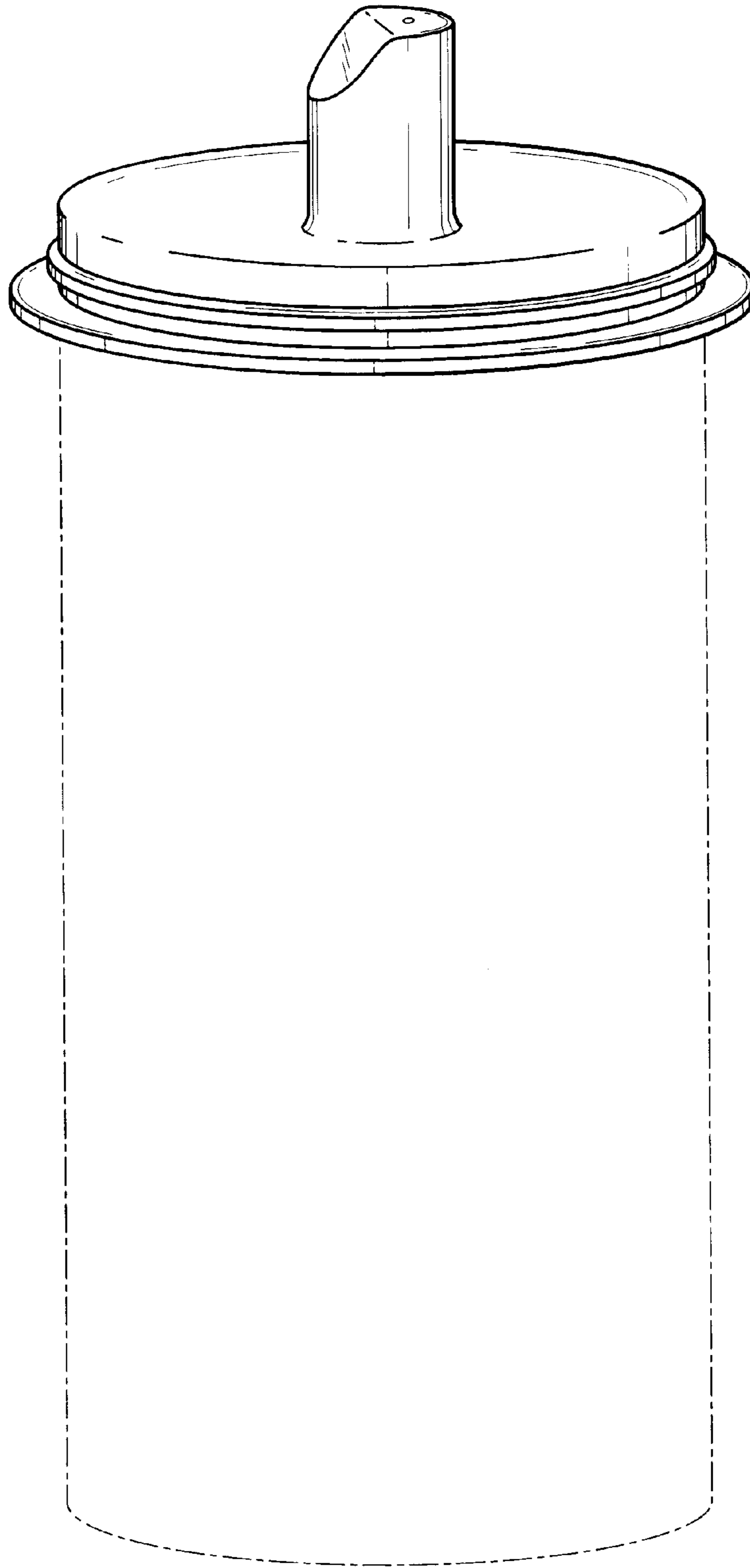


FIG. 1

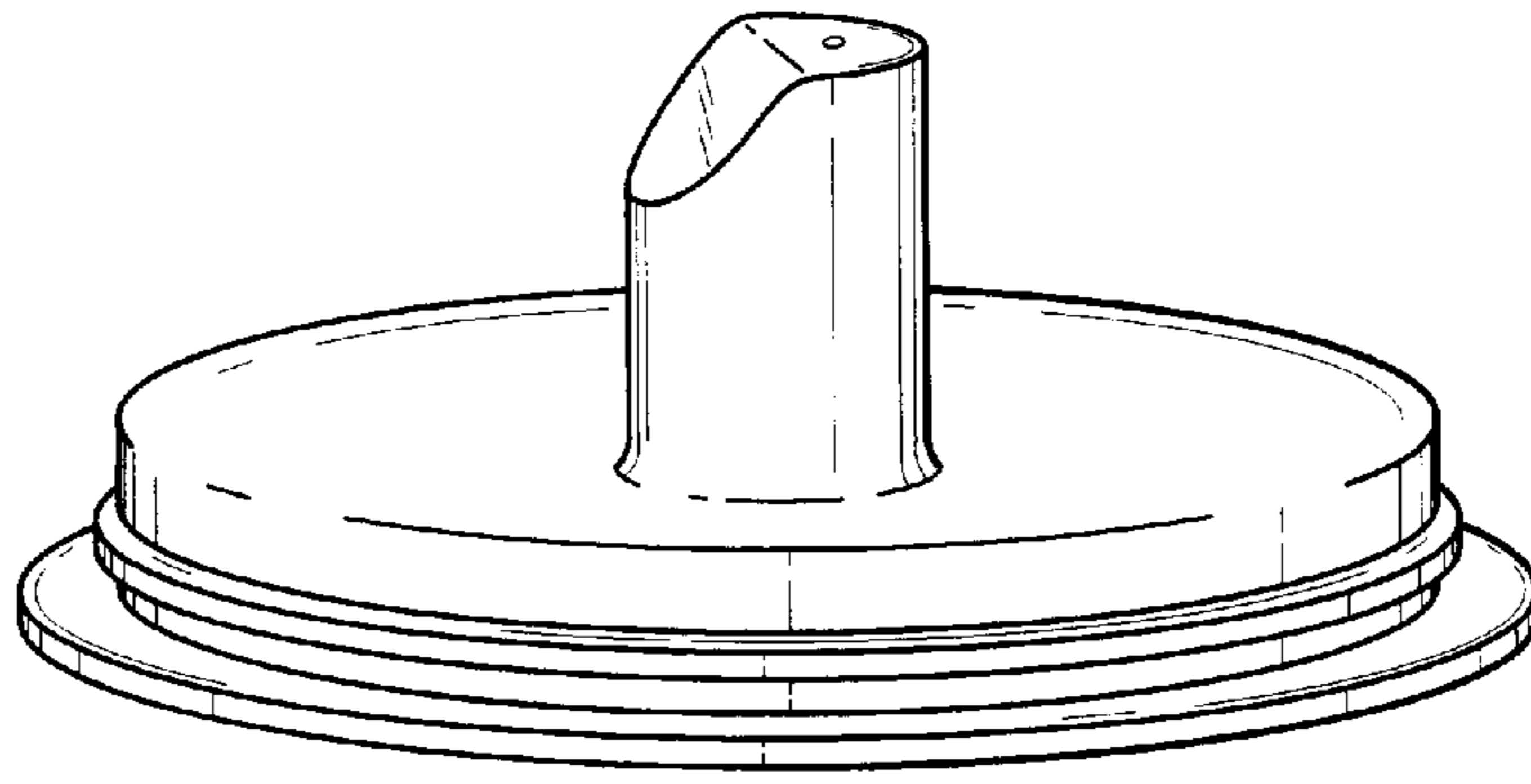


FIG. 2

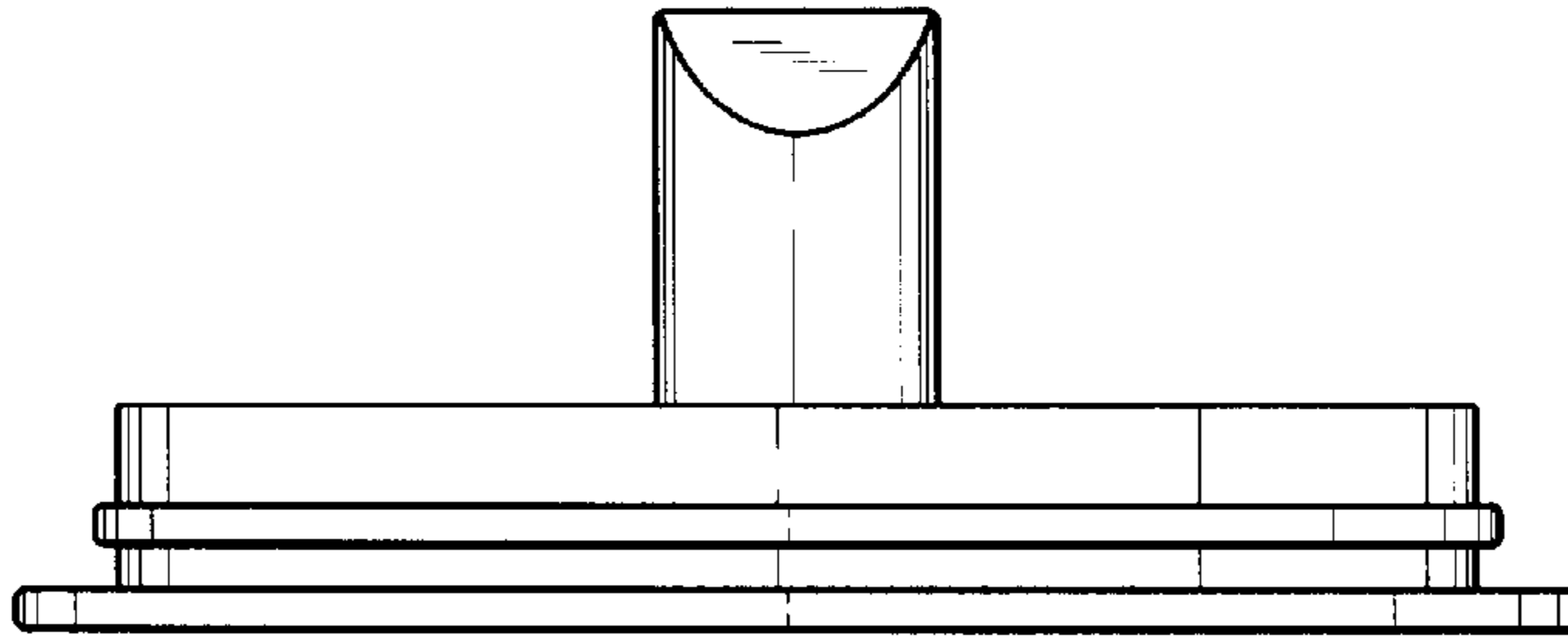


FIG. 3

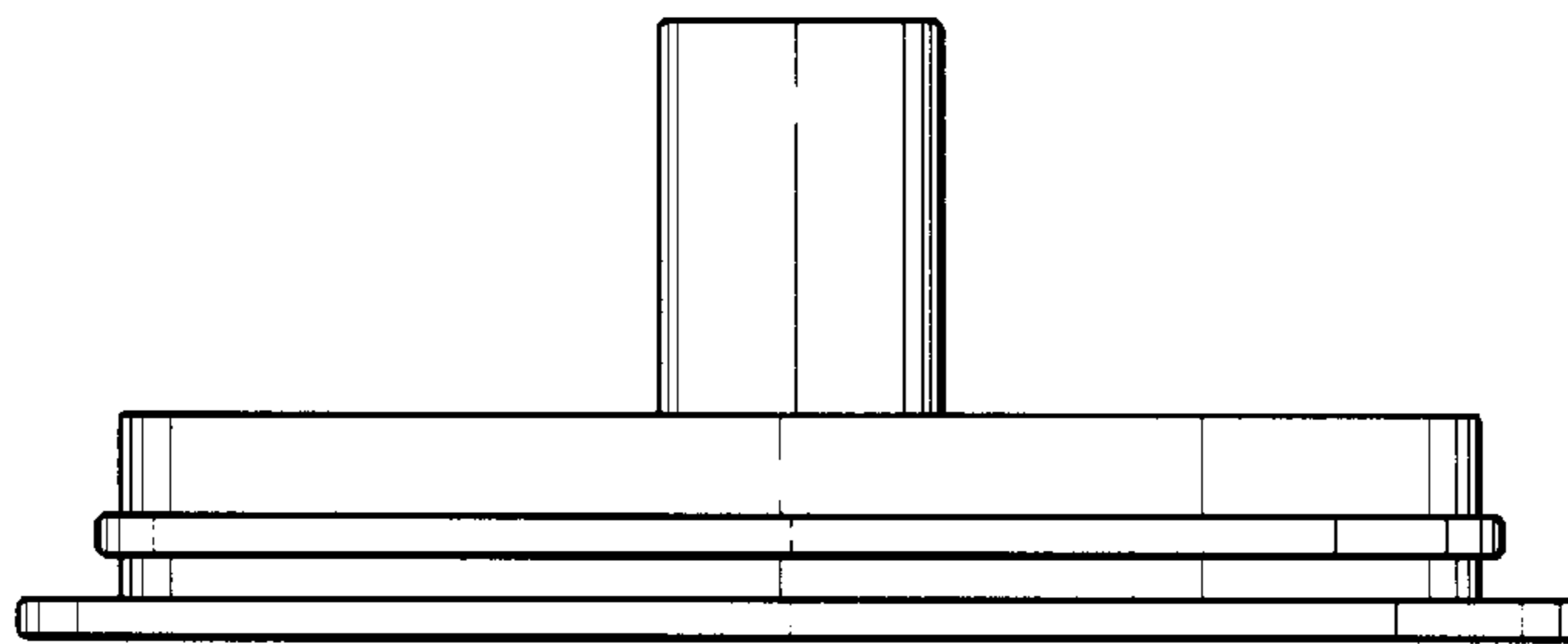


FIG. 4

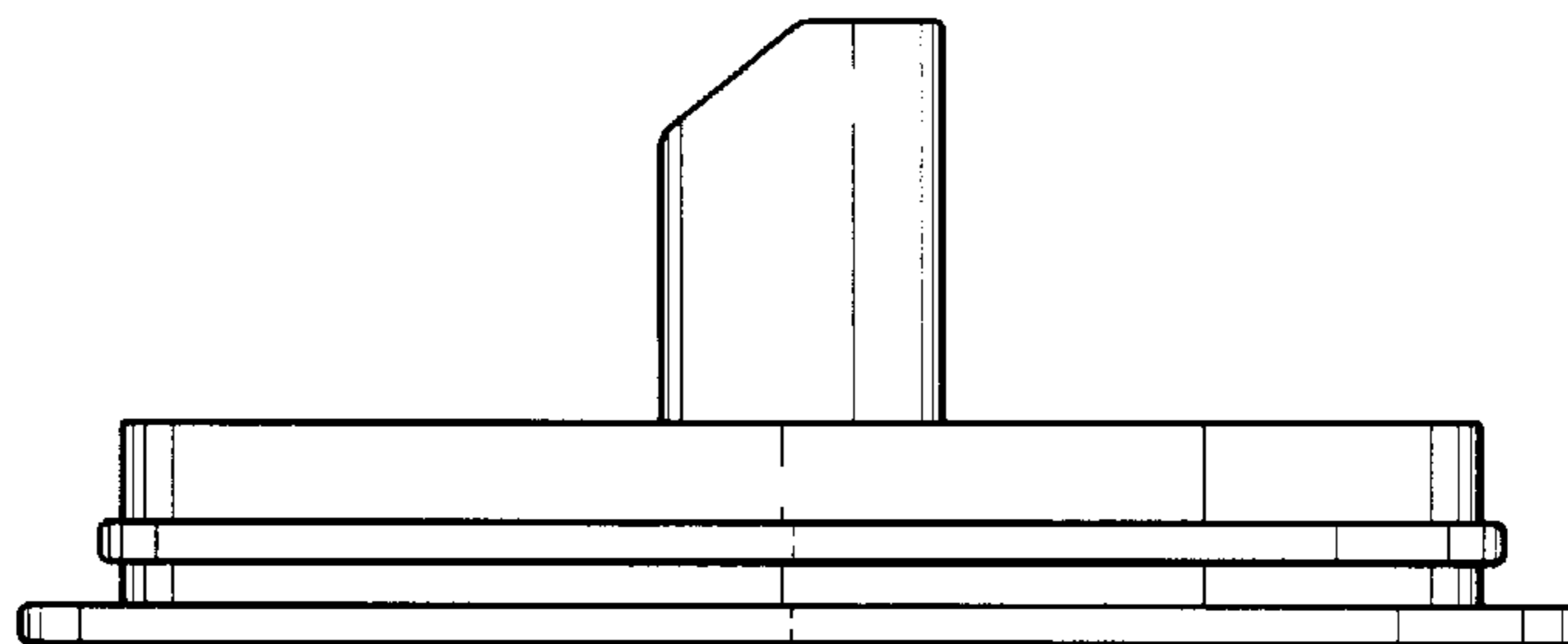


FIG. 5

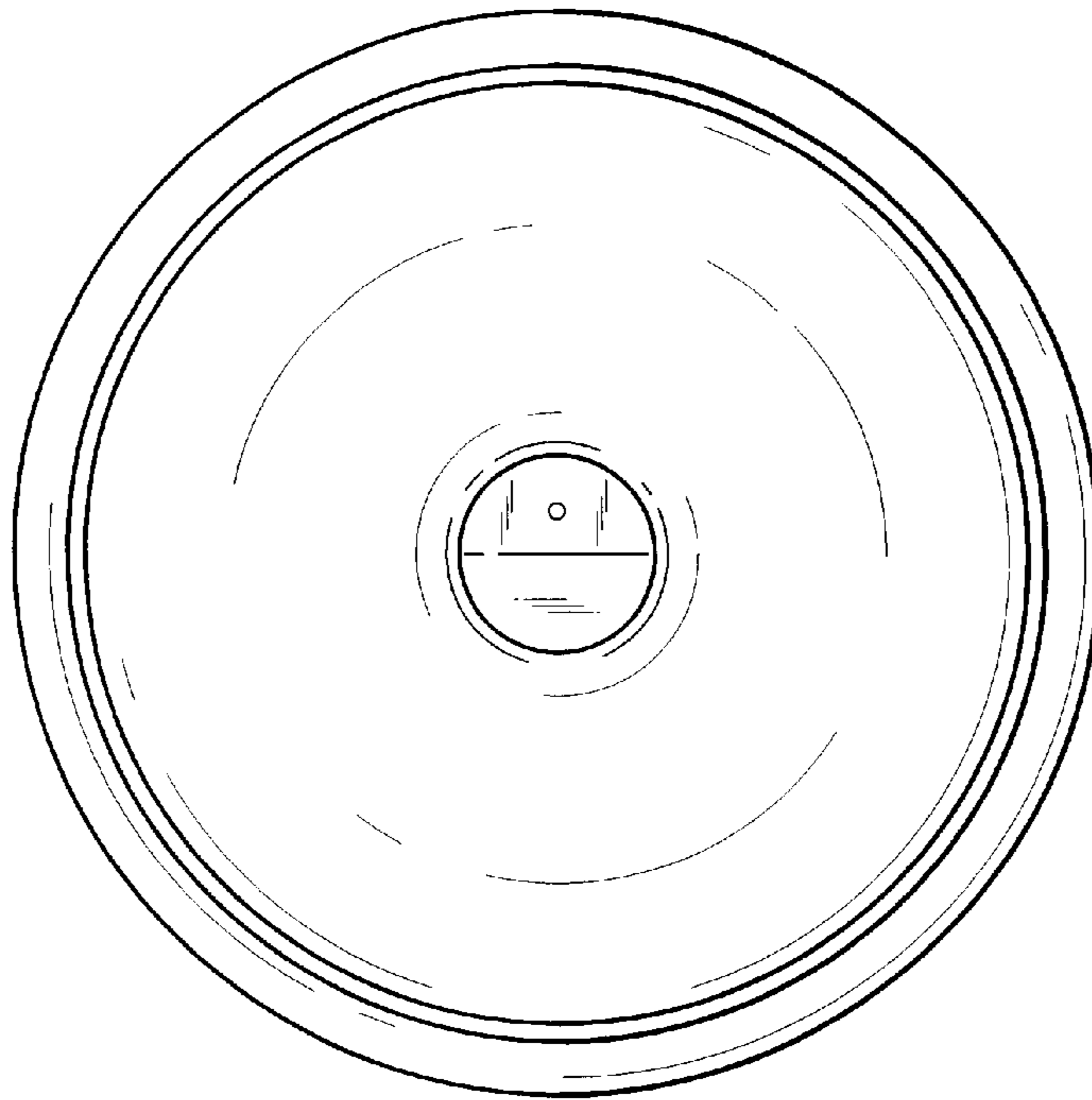


FIG. 6

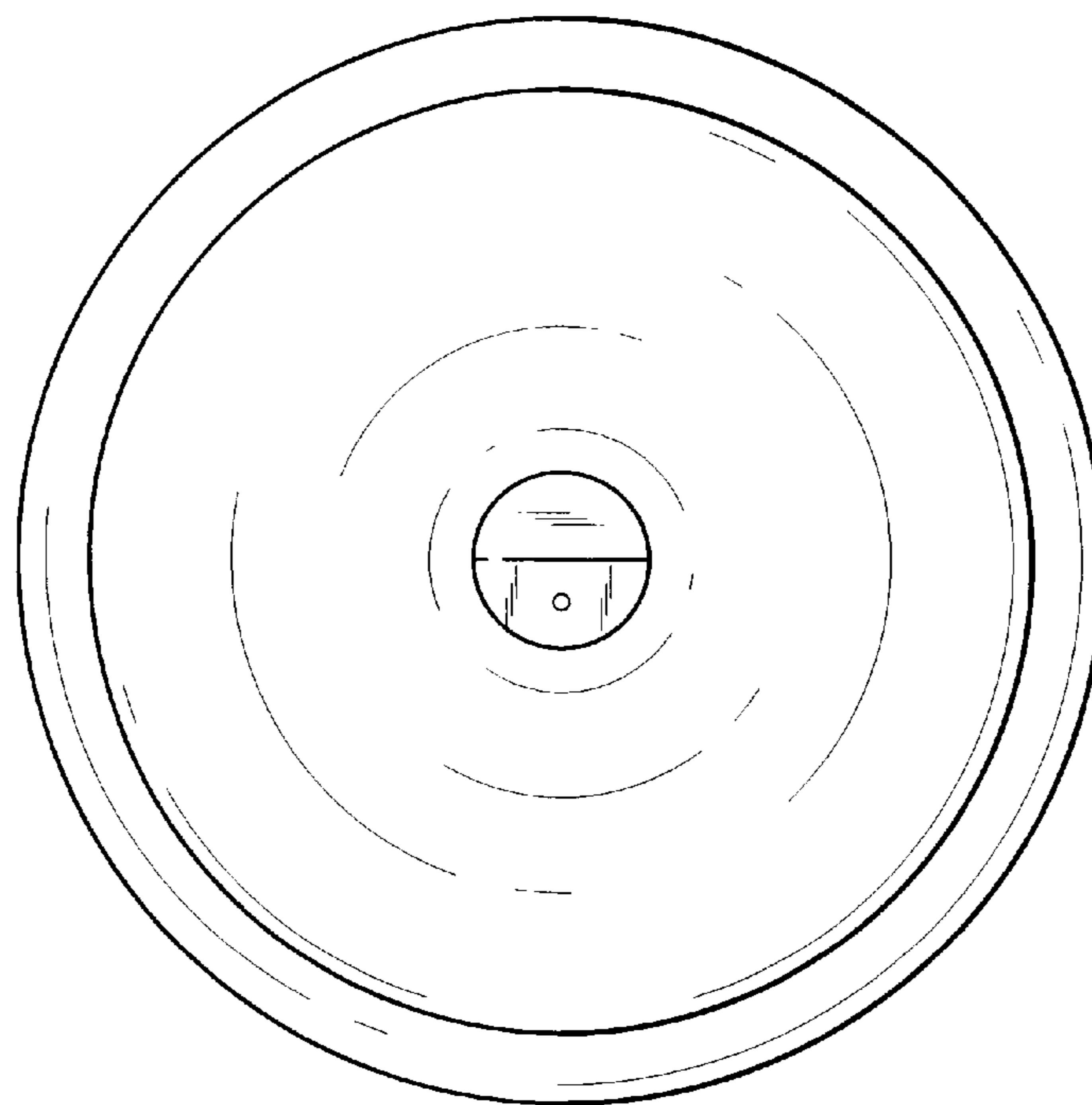


FIG. 7