



US00D421126S

United States Patent [19]
Nowak

[11] **Patent Number: Des. 421,126**

[45] **Date of Patent: ** Feb. 22, 2000**

[54] **TEETHER**

3,690,324 9/1972 Spivack 606/234

[75] Inventor: **Ralph M. Nowak**, Marblehead, Mass.

Primary Examiner—Stella Reid
Attorney, Agent, or Firm—Fish & Richardson P.C.

[73] Assignee: **The First Years Inc.**, Mission Viejo, Calif.

[57] **CLAIM**

[**] Term: **14 Years**

The ornamental design for a teether, as shown and described.

[21] Appl. No.: **29/105,905**

[22] Filed: **Jun. 3, 1999**

DESCRIPTION

Related U.S. Application Data

[62] Division of application No. 29/091,066, Jul. 22, 1998.

[51] **LOC (7) Cl.** **24-04**

[52] **U.S. Cl.** **D24/194**

[58] **Field of Search** D24/194, 193;
606/234, 235, 236; D21/408

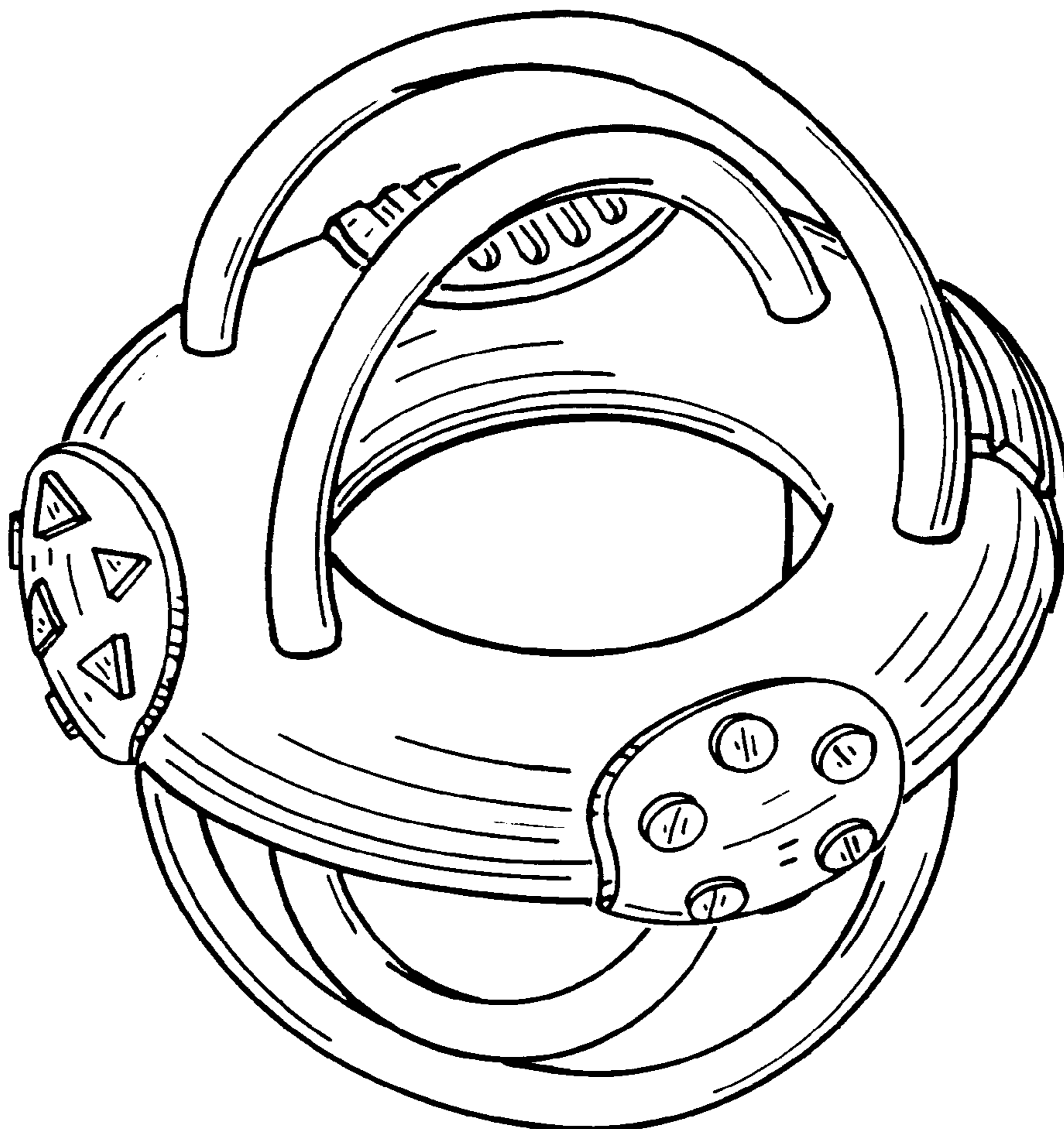
FIG. 1 is a perspective view of a teether, showing my new design;
FIG. 2 is a front elevational view thereof;
FIG. 3 is a rear elevational view thereof;
FIG. 4 is a left side elevational view thereof;
FIG. 5 is a right side elevational view thereof;
FIG. 6 is a top plan view thereof;
FIG. 7 is a bottom plan view thereof;
FIG. 8 is a view taken in the direction of line 8—8 shown in FIG. 6;
FIG. 9 is a view taken in the direction of line 9—9 shown in FIG. 6;
FIG. 10 is a view taken in the direction of line 10—10 shown in FIG. 6; and,
FIG. 11 is a view taken in the direction of line 11—11 shown in FIG. 6.

[56] **References Cited**

U.S. PATENT DOCUMENTS

- D. 344,987 3/1994 Spence, Jr. D21/408
- D. 345,995 4/1994 Spence, Jr. D21/408
- 1,117,093 11/1914 Ripley 606/235
- 3,633,587 1/1972 Hunt 606/235

1 Claim, 4 Drawing Sheets



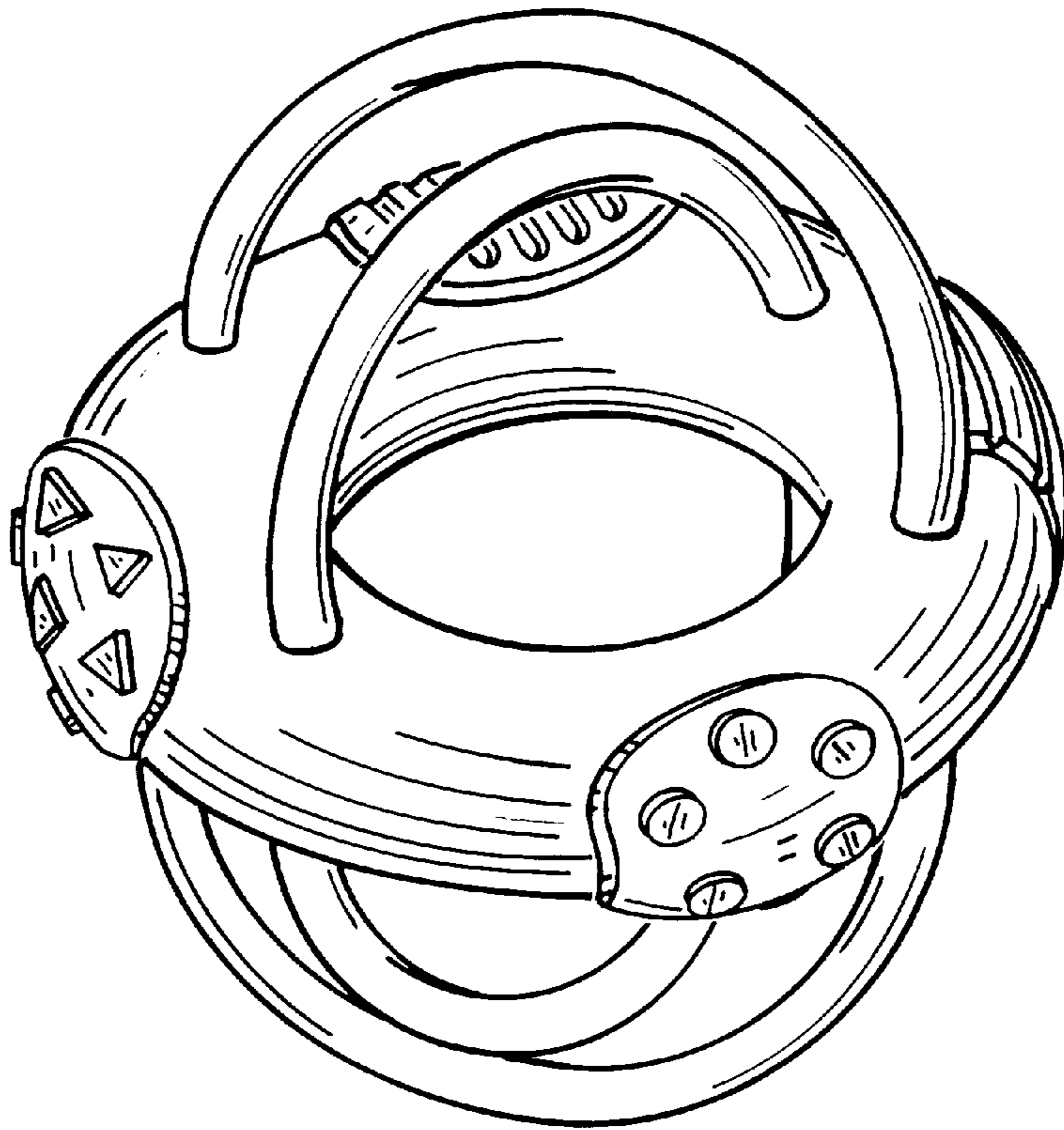


FIG. 1

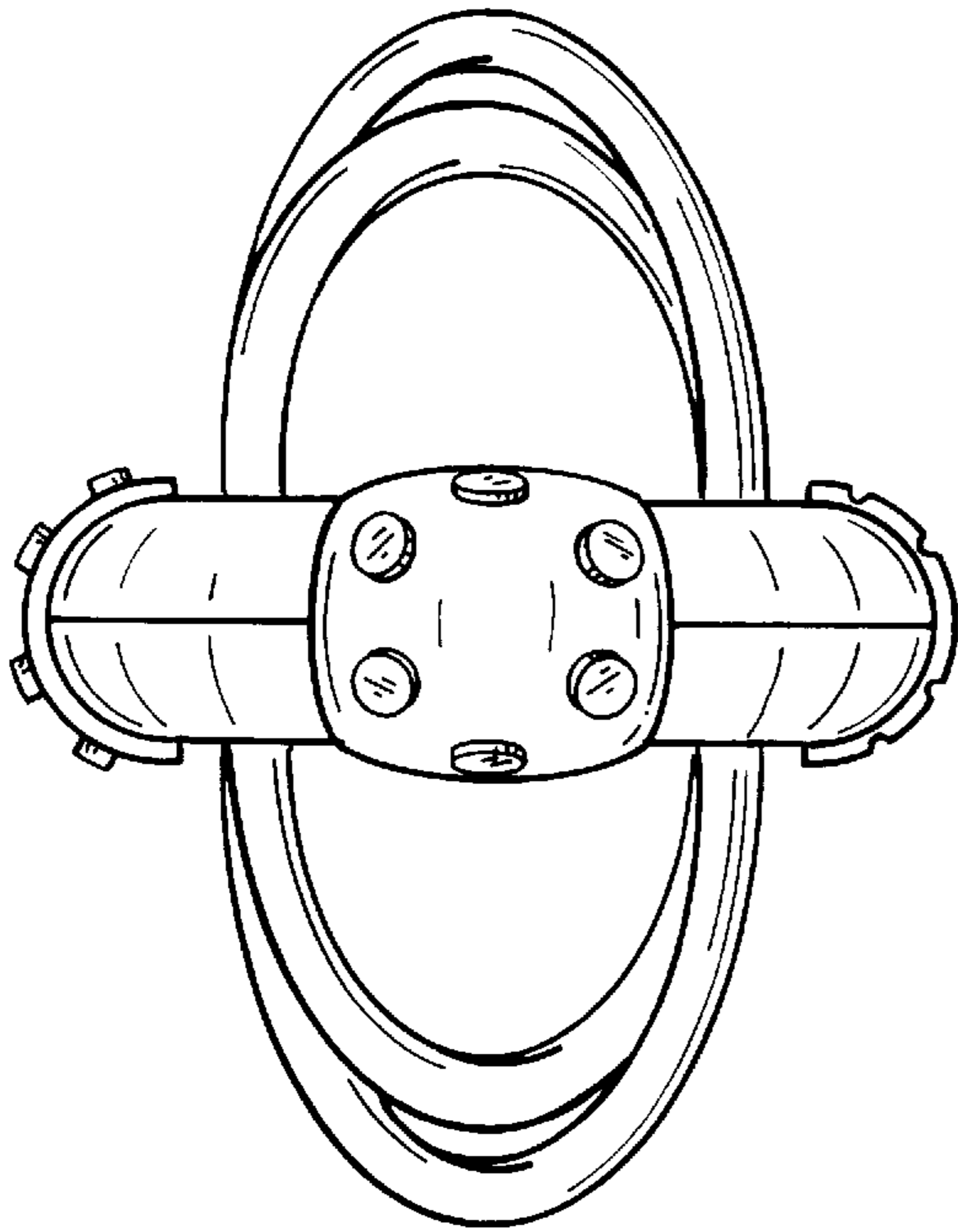


FIG. 2

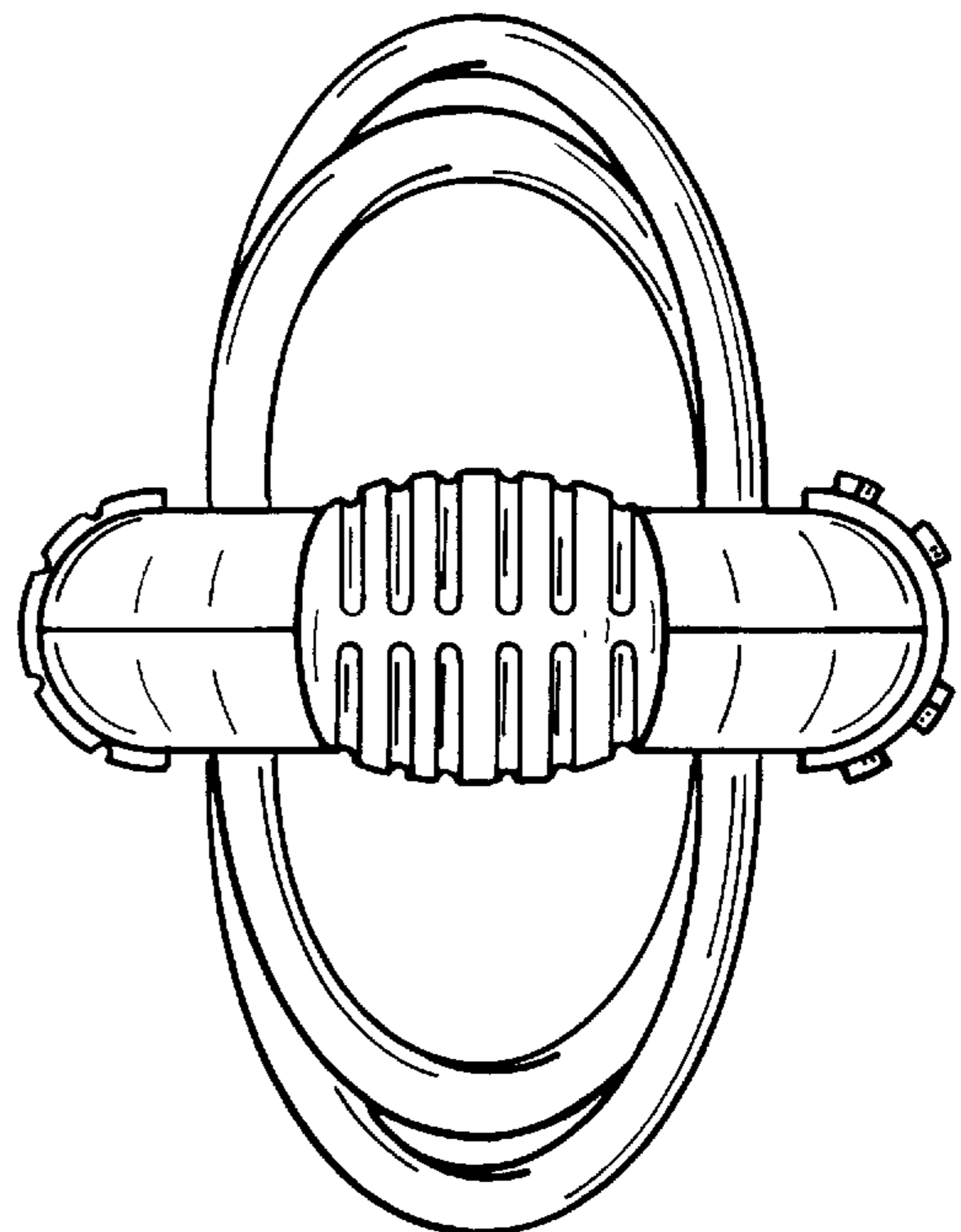


FIG. 3

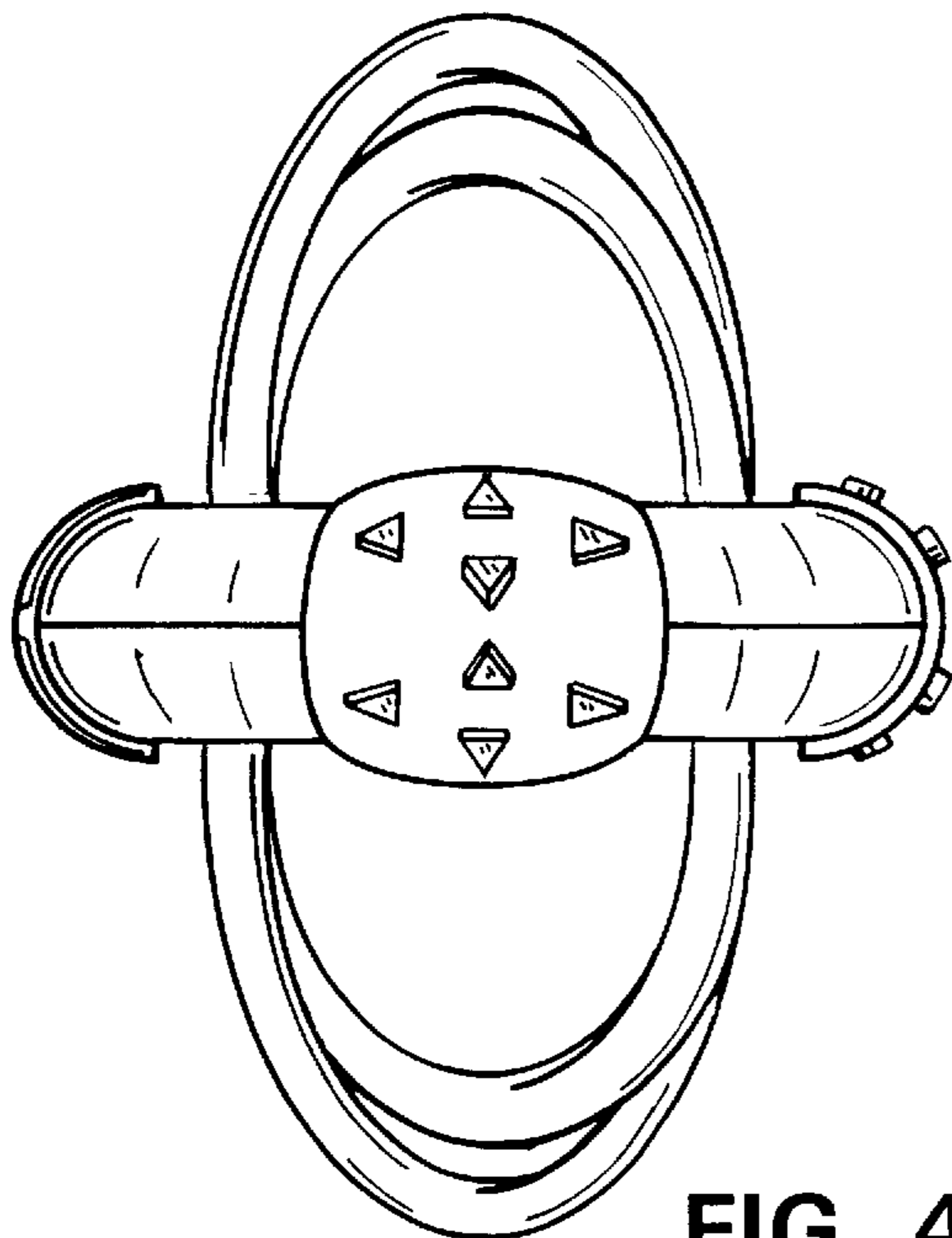


FIG. 4

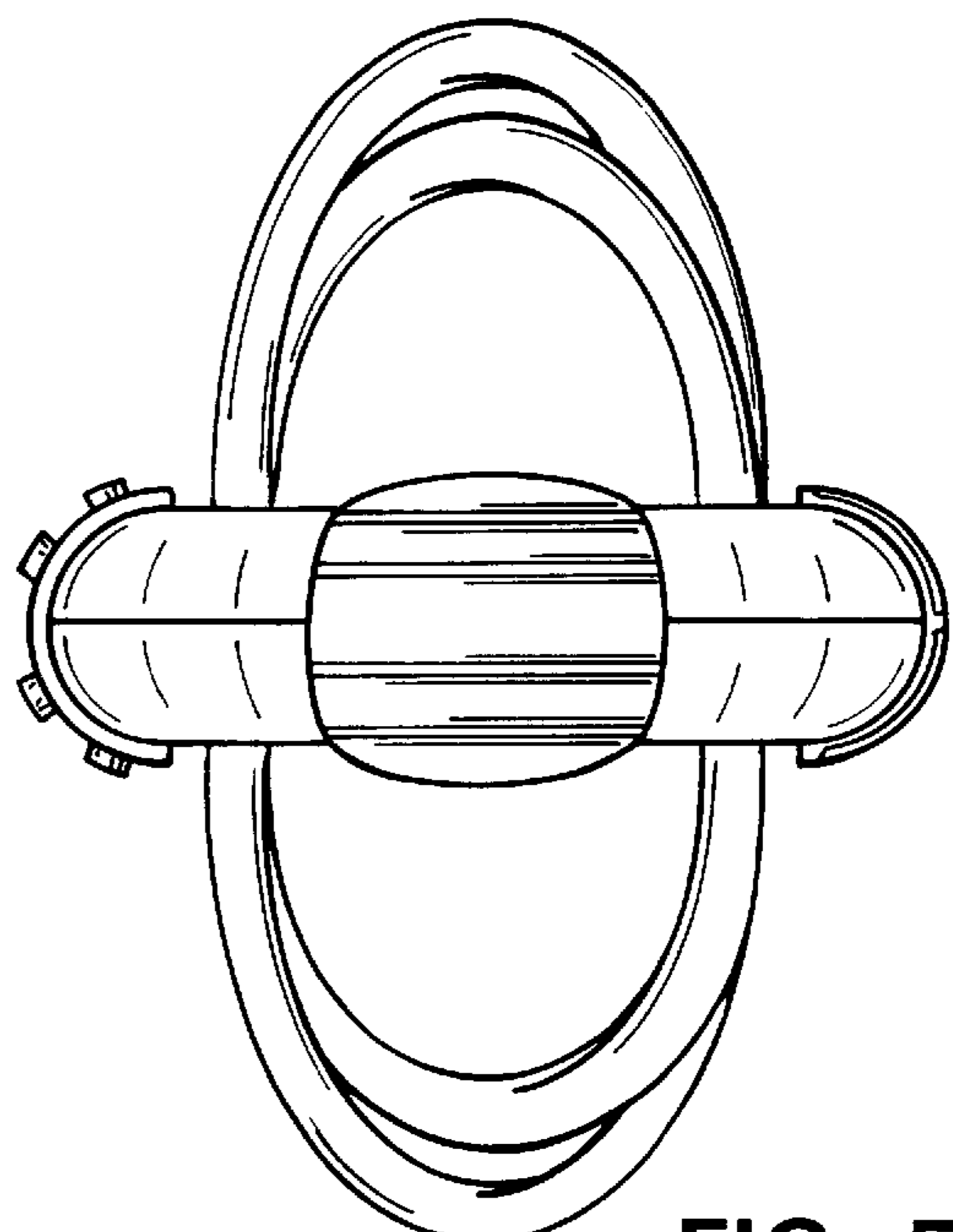


FIG. 5

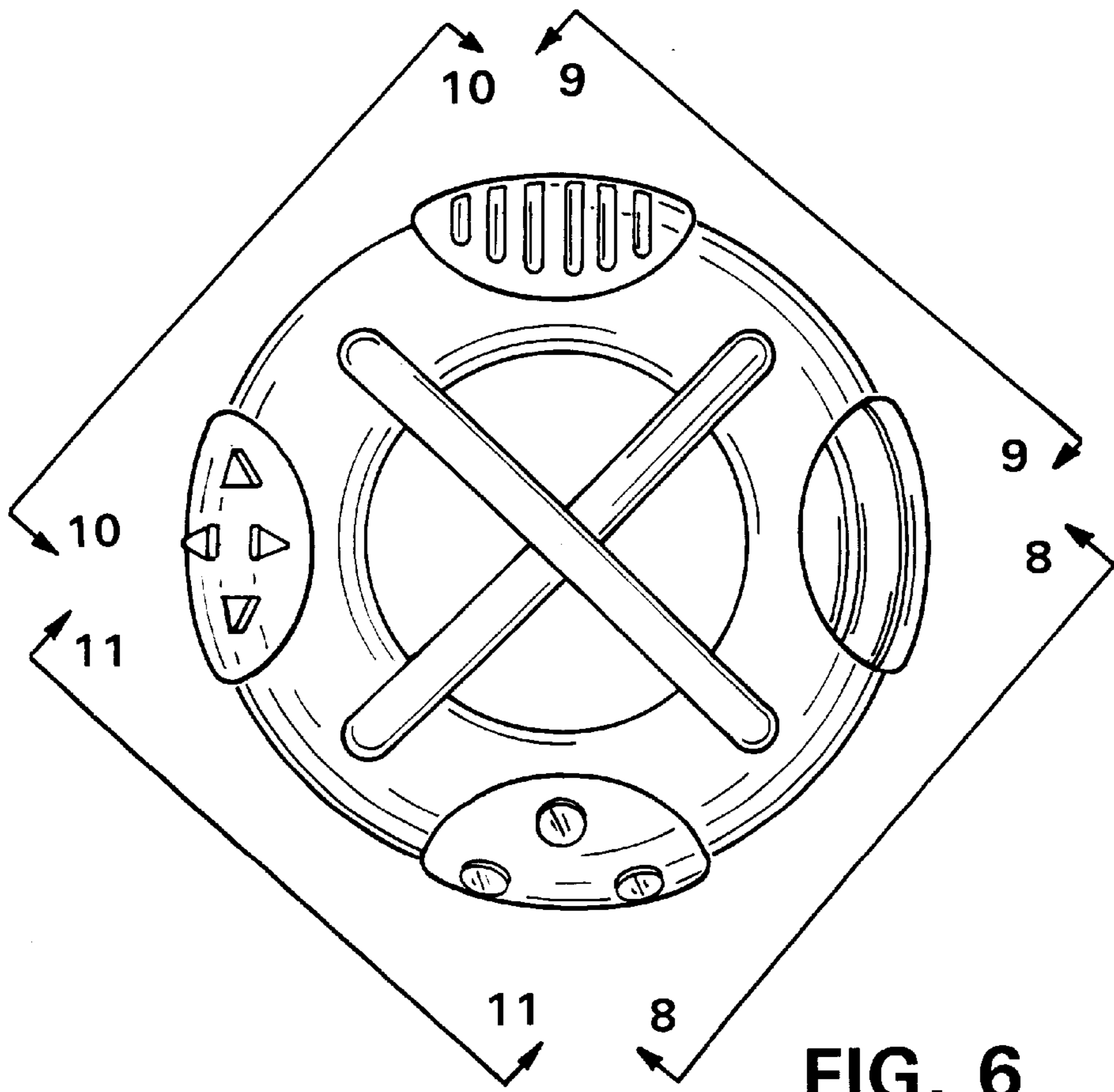


FIG. 6

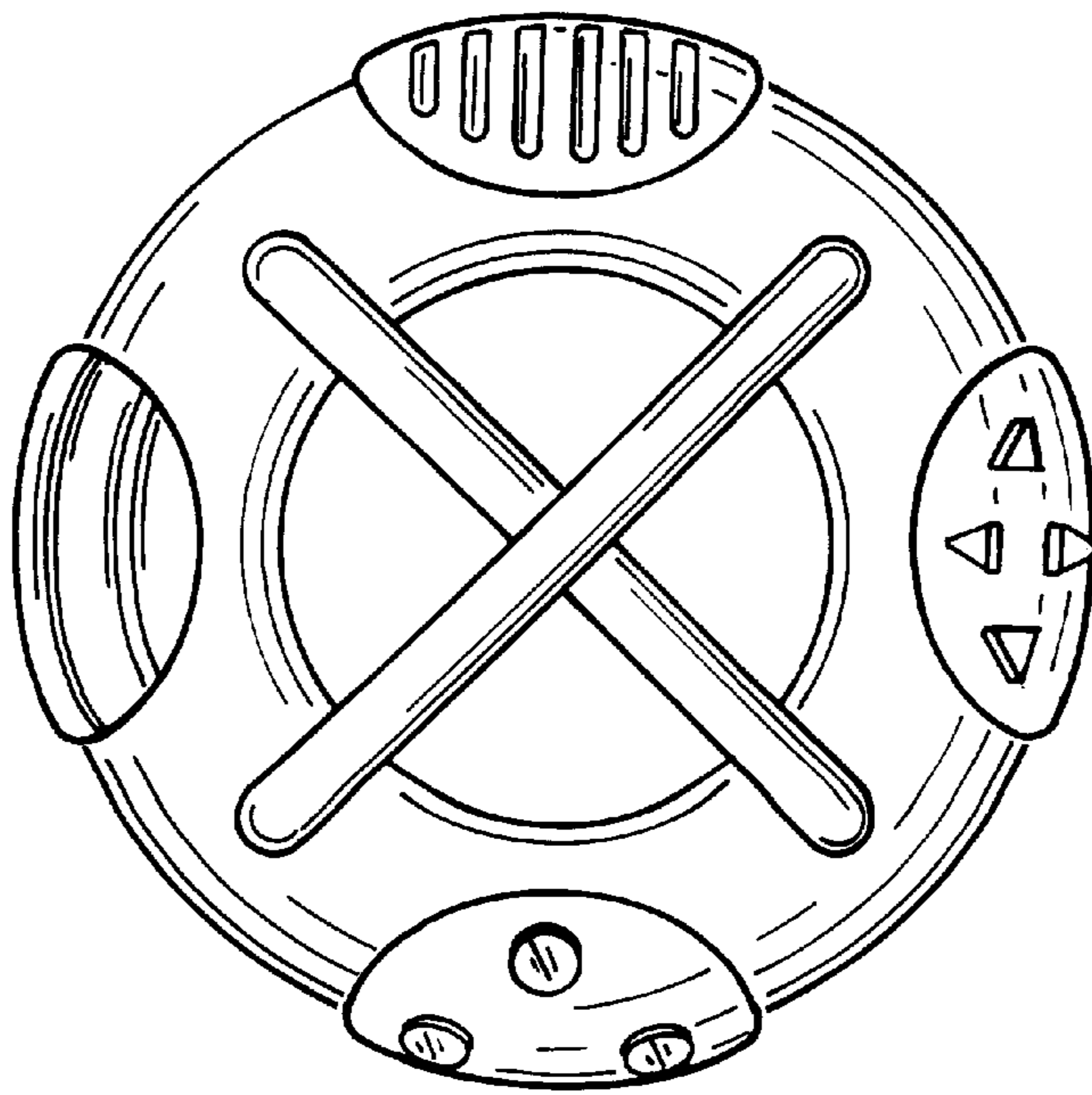


FIG. 7

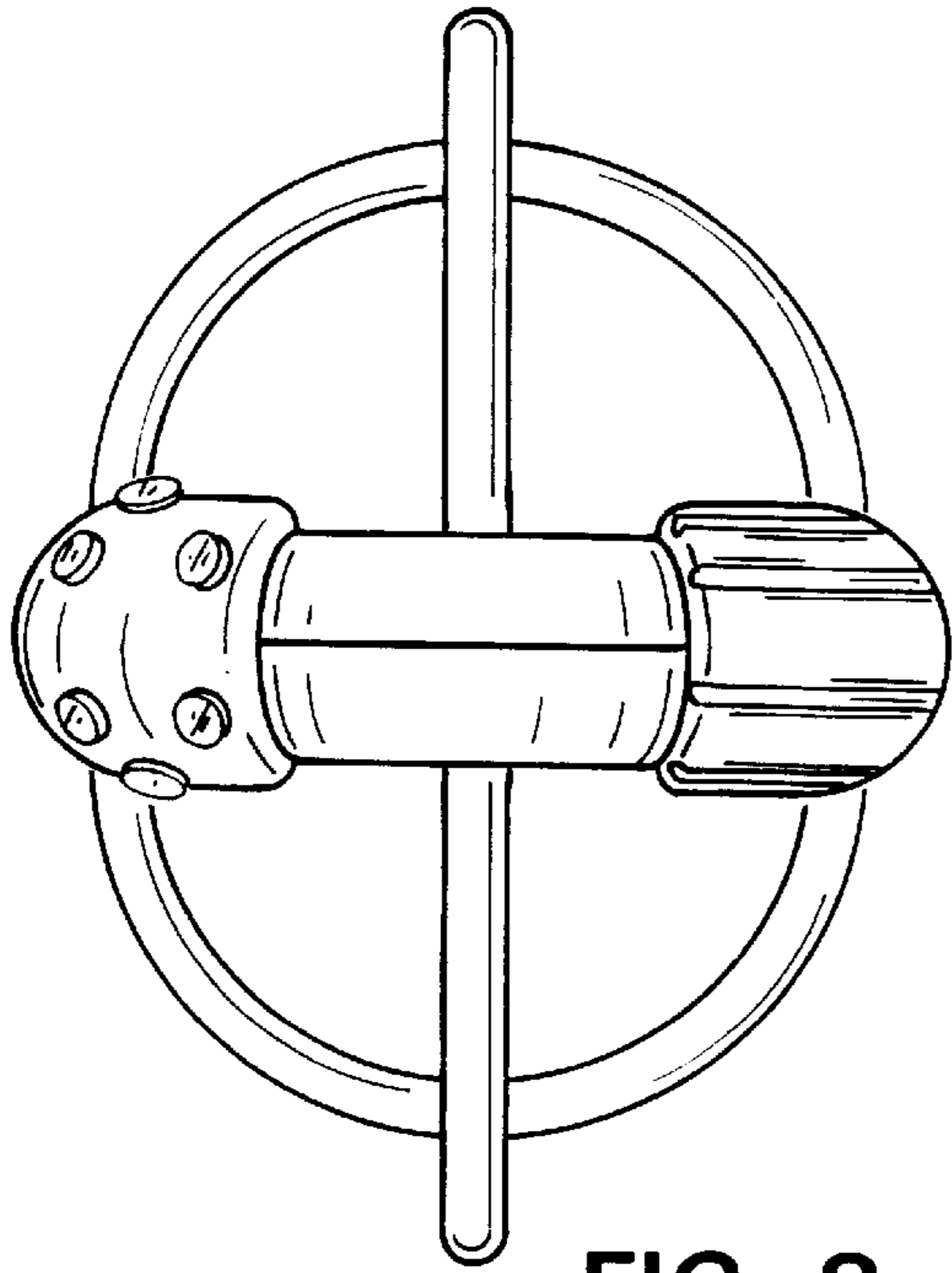


FIG. 8

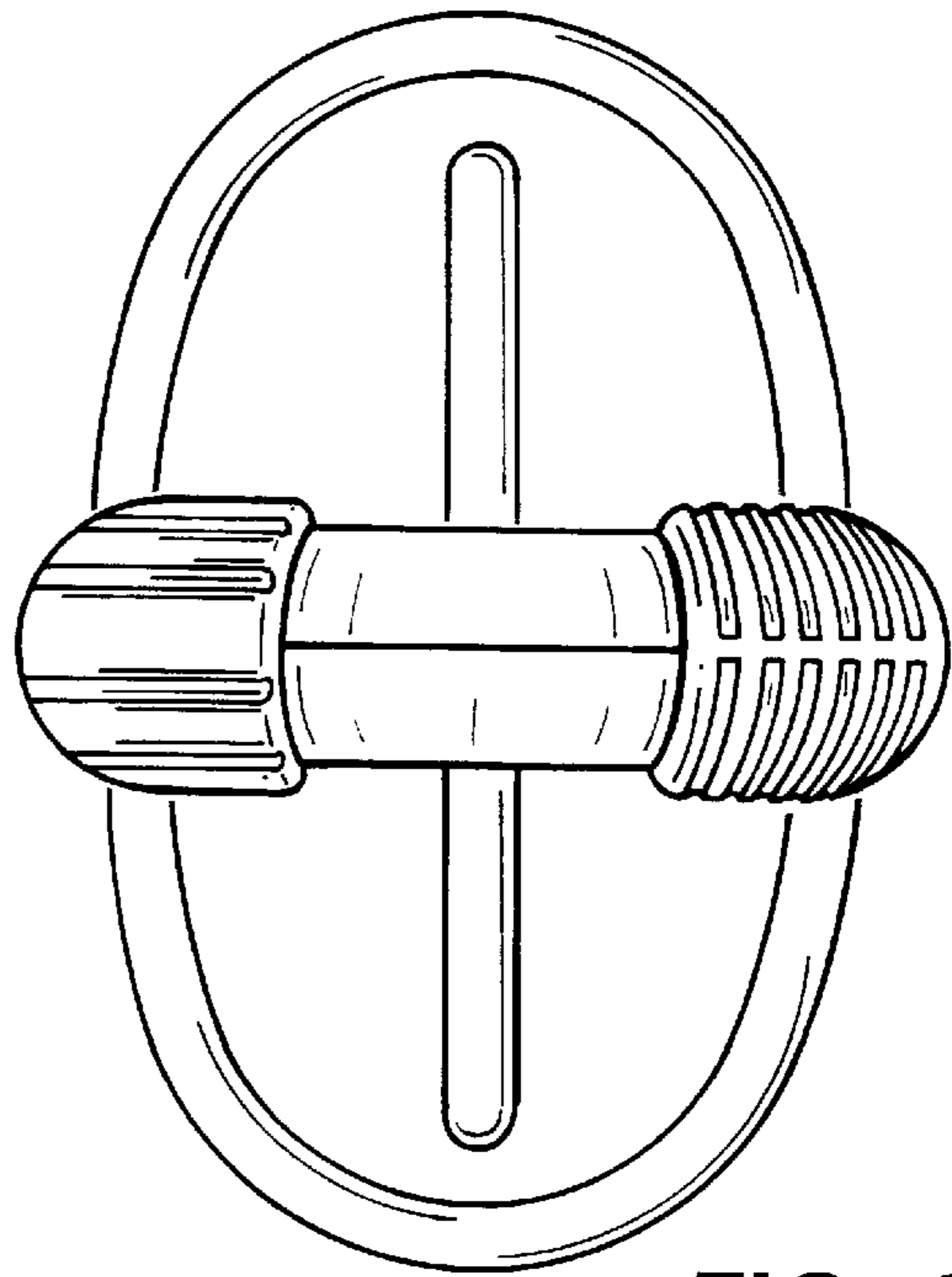


FIG. 9

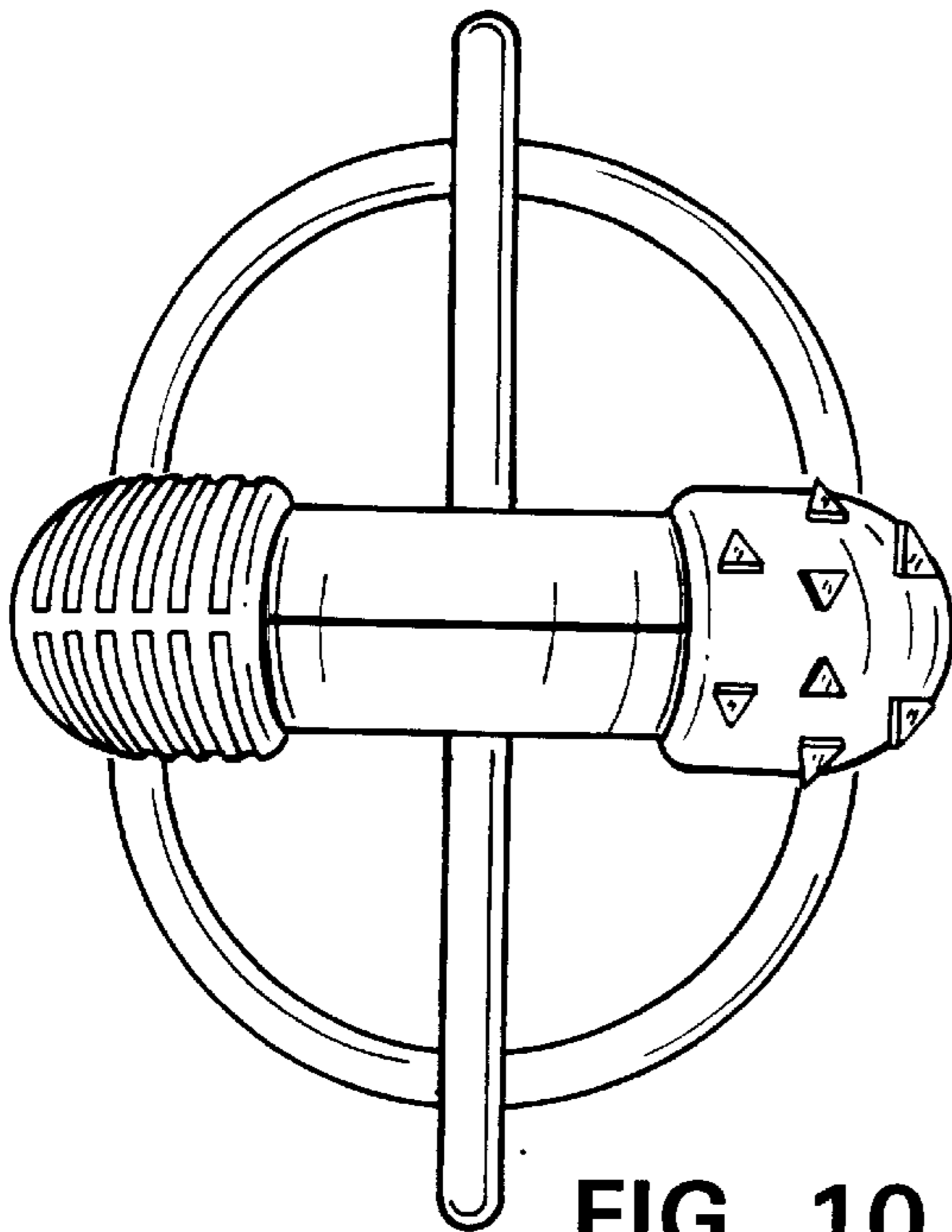


FIG. 10

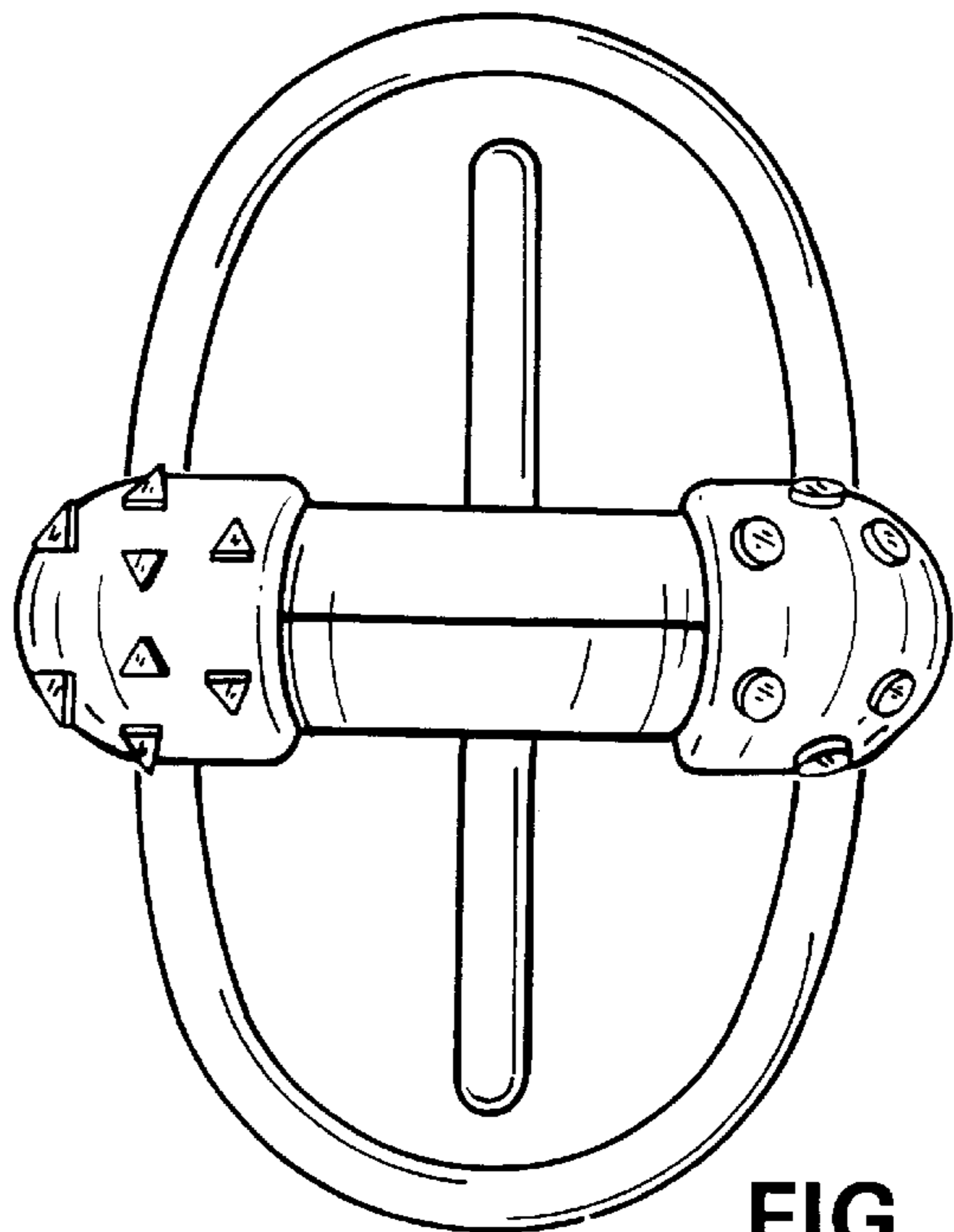


FIG. 11