



US00D421125S

United States Patent [19] Nowak

[11] **Patent Number: Des. 421,125**

[45] **Date of Patent: ** Feb. 22, 2000**

[54] **TEETHER**

[75] Inventor: **Ralph M. Nowak**, Marblehead, Mass.

[73] Assignee: **The First Years Inc.**, Mission Viejo, Calif.

[**] Term: **14 Years**

[21] Appl. No.: **29/105,772**

[22] Filed: **Jun. 2, 1999**

D. 345,995	4/1994	Spence, Jr.	D21/408
1,117,093	11/1914	Ripley	606/235
3,633,587	1/1972	Hunt	606/235
3,690,324	9/1972	Spivack	606/234

Primary Examiner—Stella Reid
Attorney, Agent, or Firm—Fish & Richardson P.C.

[57] **CLAIM**

The ornamental design for a teether, as shown and described.

DESCRIPTION

FIG. 1 is a perspective view of a teether, showing my new design;

FIG. 2 is a left side view thereof, the right side view being identical thereto;

FIG. 3 is a front elevational view thereof, the rear elevational view being identical thereto;

FIG. 4 is a top plan view thereof; and,

FIG. 5 is a bottom plan view thereof.

Related U.S. Application Data

[62] Division of application No. 29/091,124, Jul. 23, 1998.

[51] **LOC (7) Cl.** **24-04**

[52] **U.S. Cl.** **D24/194**

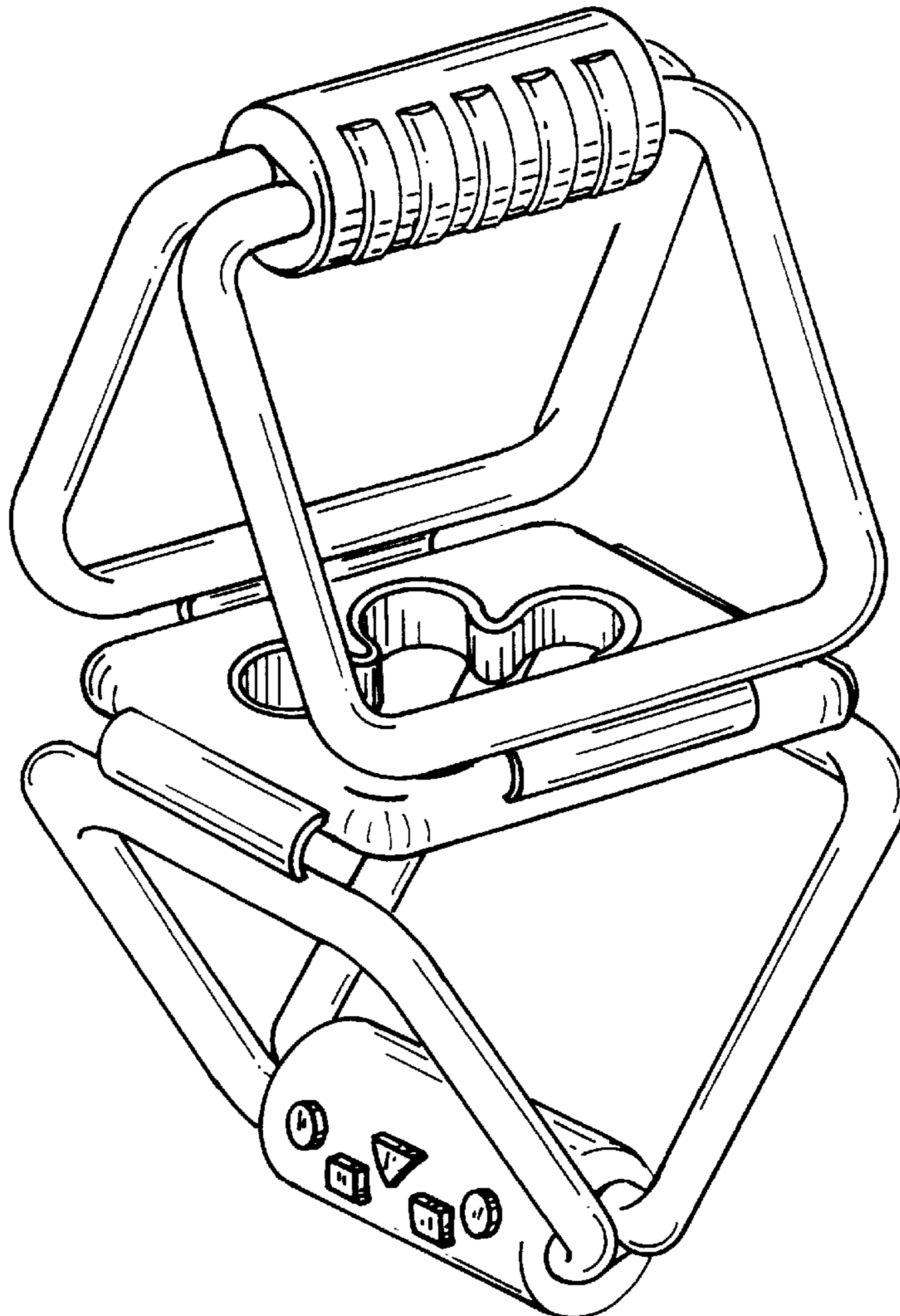
[58] **Field of Search** D24/194, 193;
606/234, 235, 236; D21/408

[56] **References Cited**

U.S. PATENT DOCUMENTS

D. 344,987 3/1994 Spence, Jr. D21/408

1 Claim, 3 Drawing Sheets



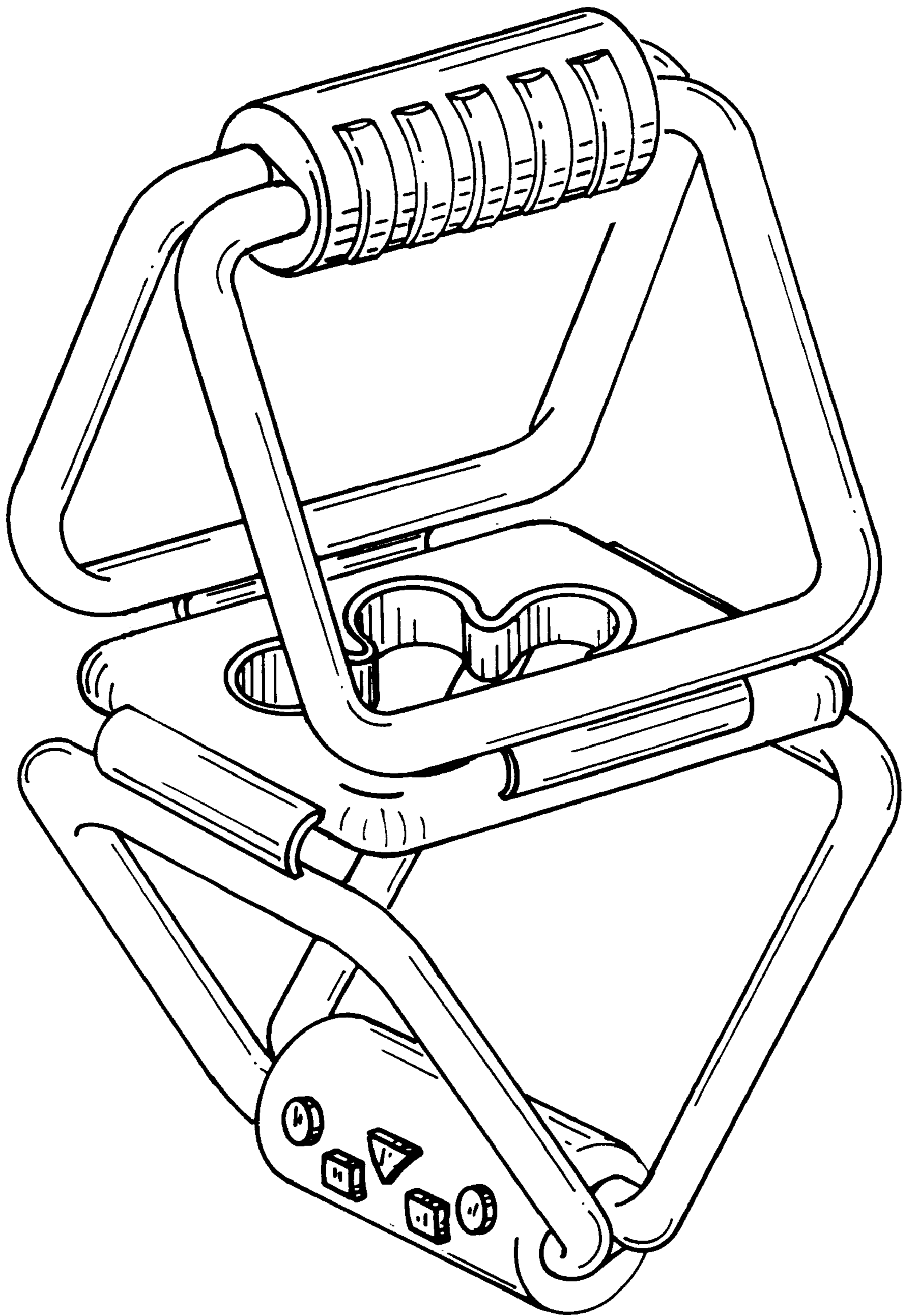


FIG. 1

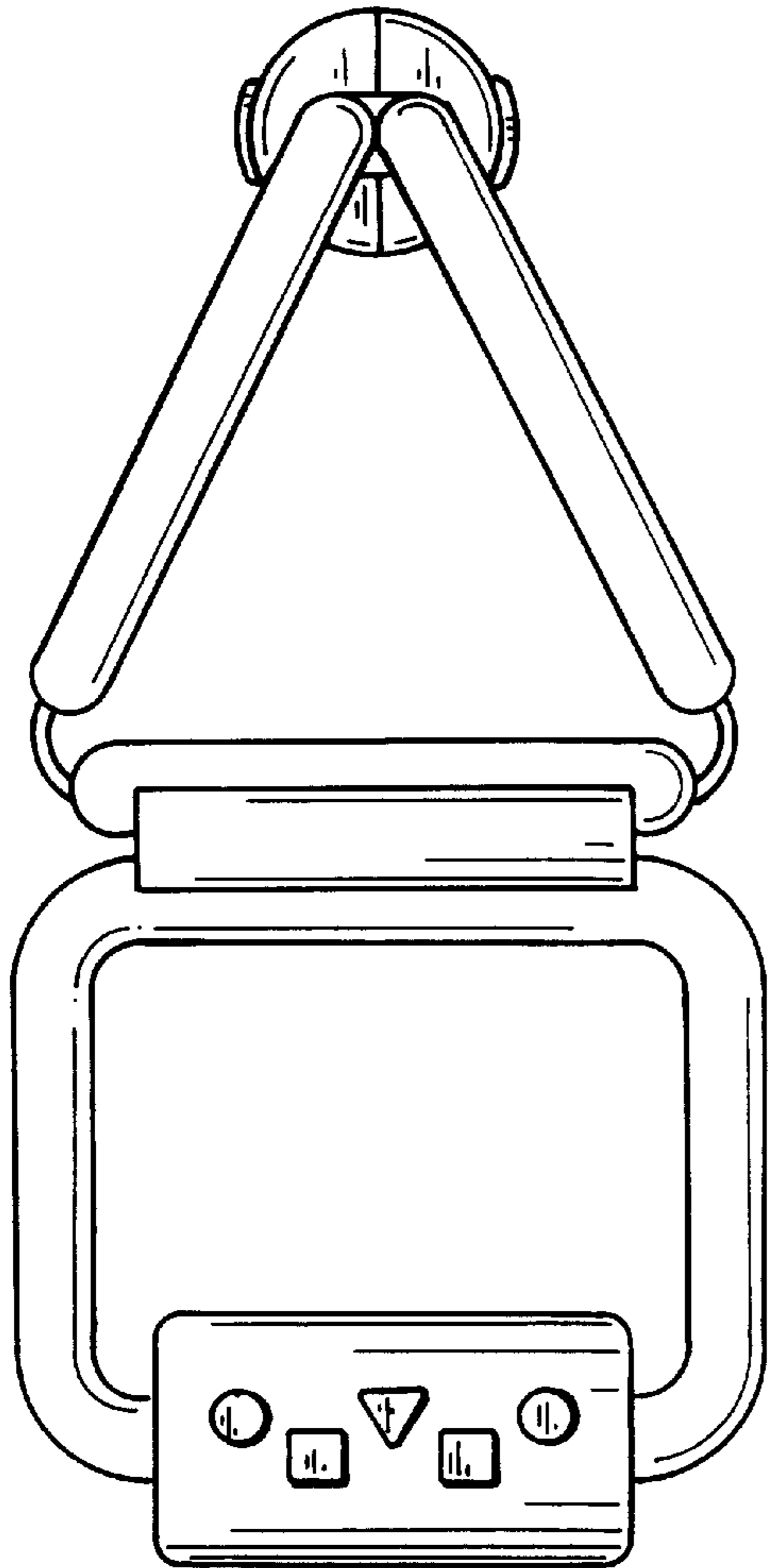


FIG. 2

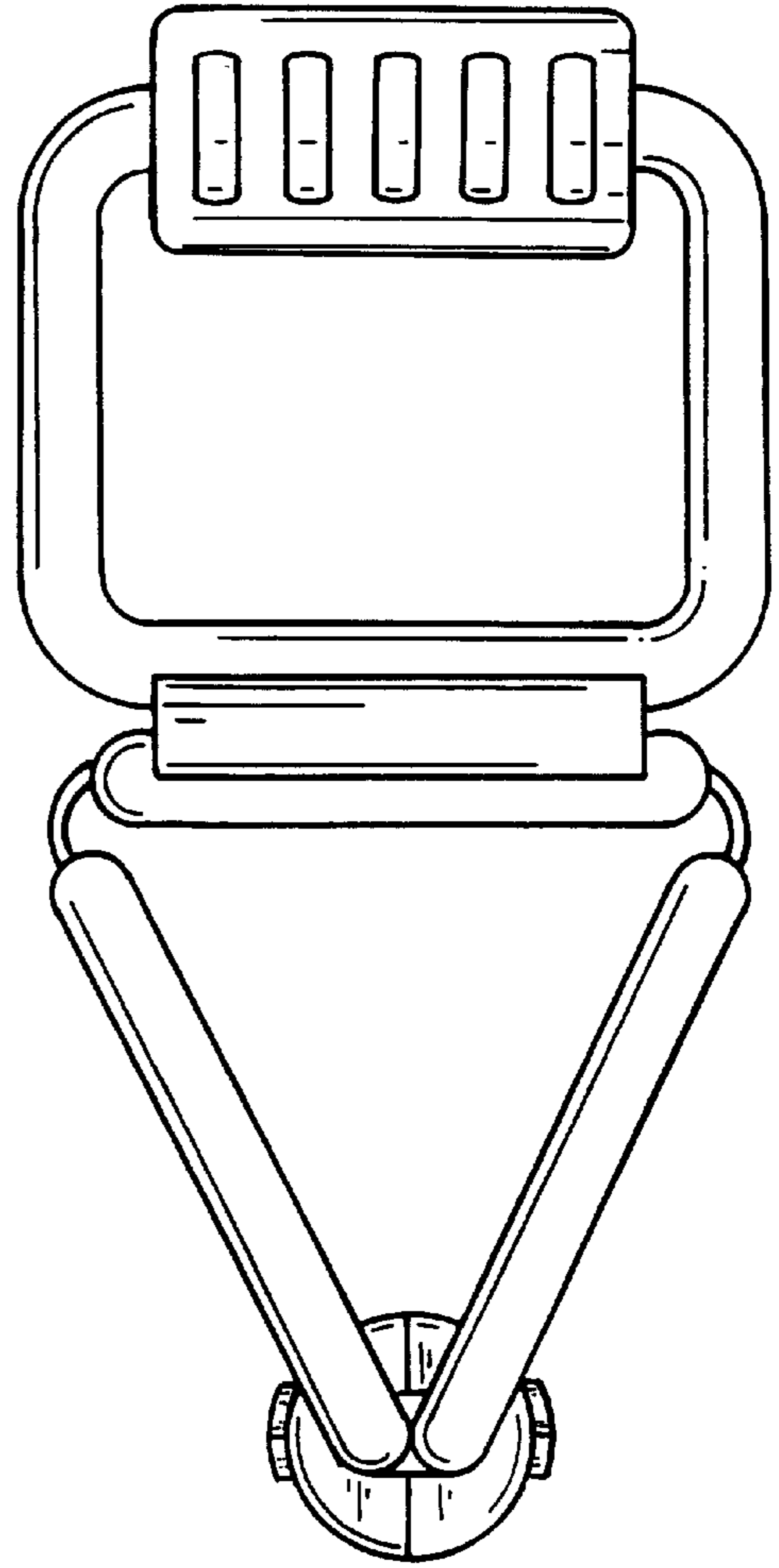


FIG. 3

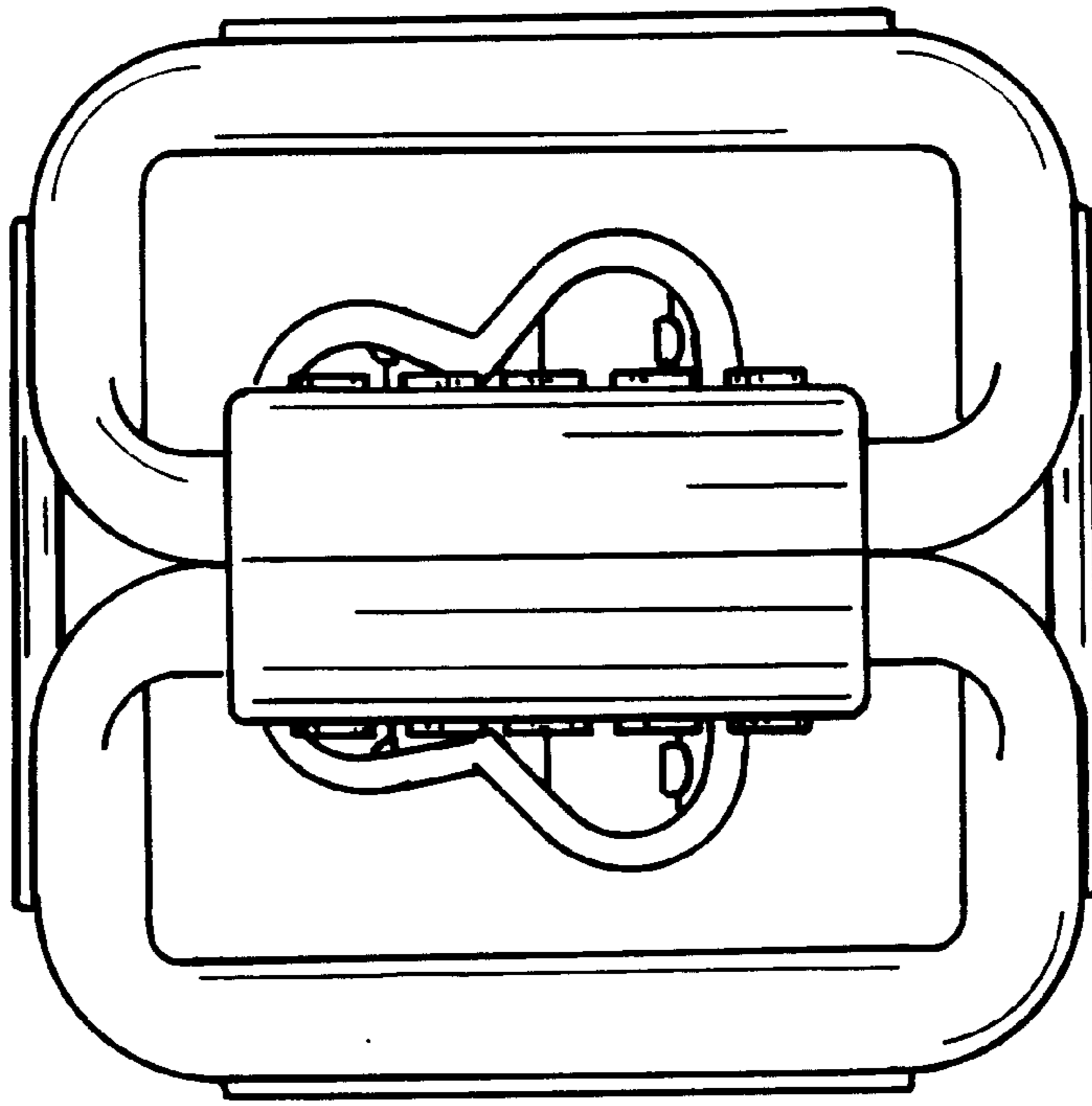


FIG. 5

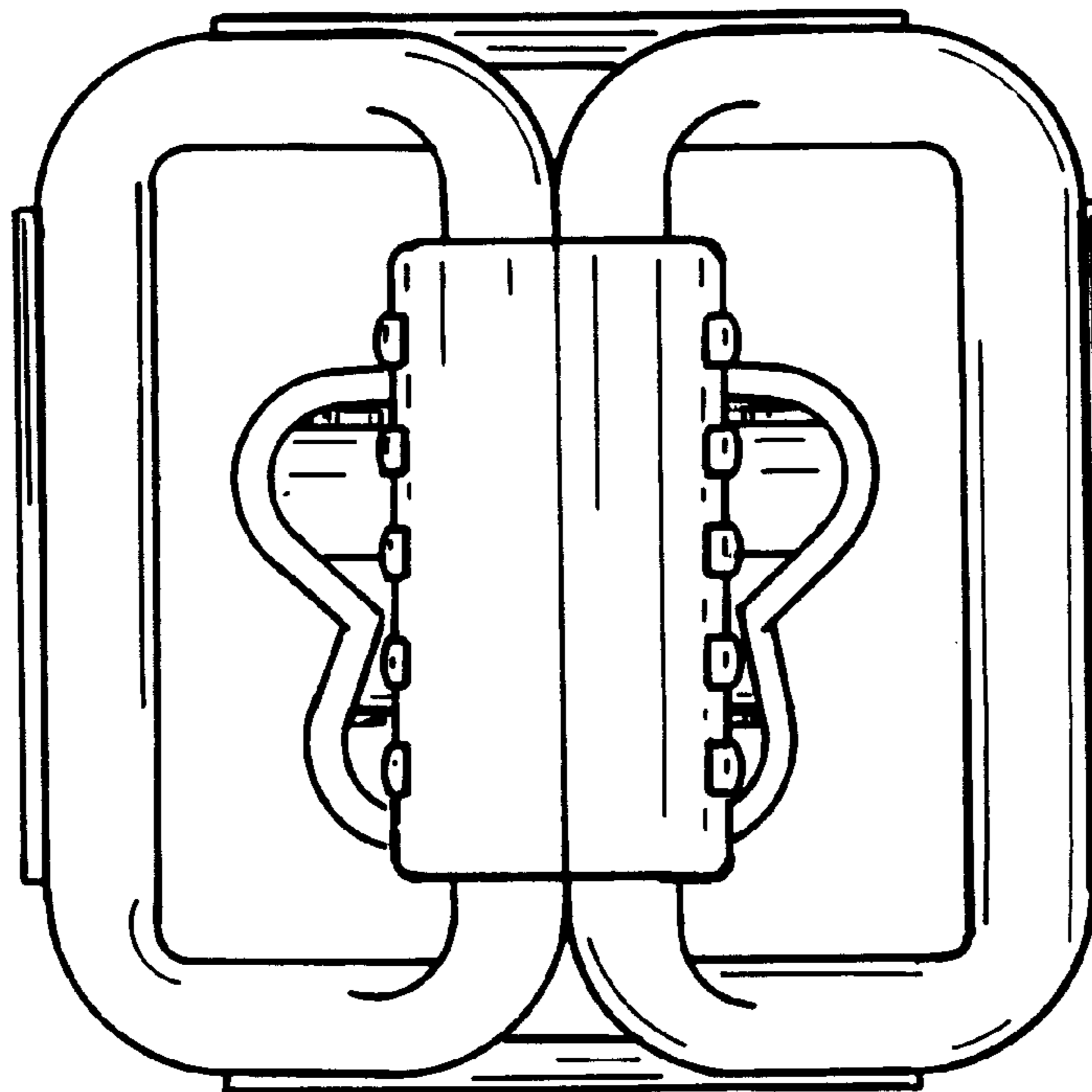


FIG. 4