



US00D421121S

United States Patent [19]

Prasad et al.

[11] **Patent Number: Des. 421,121**

[45] **Date of Patent: ** Feb. 22, 2000**

[54] **SYRINGE**

5,531,709 7/1996 Eykman et al. 604/218
5,618,273 4/1997 Fischer 604/211

[75] Inventors: **Arun Prasad**, Cheshire; **Peter C. Gable, Jr.**, Meriden, both of Conn.

Primary Examiner—Stella Reid
Assistant Examiner—I Simmons
Attorney, Agent, or Firm—Ann M. Knab, Esq.

[73] Assignee: **Jeneric/Pentron Incorporated**, Wallingford, Conn.

[57] **CLAIM**

[**] Term: **14 Years**

The ornamental design for a syringe, as shown.

[21] Appl. No.: **29/095,605**

DESCRIPTION

[22] Filed: **Oct. 27, 1998**

FIG. 1 shows a perspective view of our new design with cap removed;

[51] **LOC (7) Cl.** **24-02**

FIG. 2 shows a left side view thereof, the right side being a mirror image;

[52] **U.S. Cl.** **D24/114**

FIG. 3 shows a front view thereof;

[58] **Field of Search** D24/114, 112; 604/211, 210, 224; 433/90, 91; 222/390

FIG. 4 shows a rear view thereof;

[56] **References Cited**

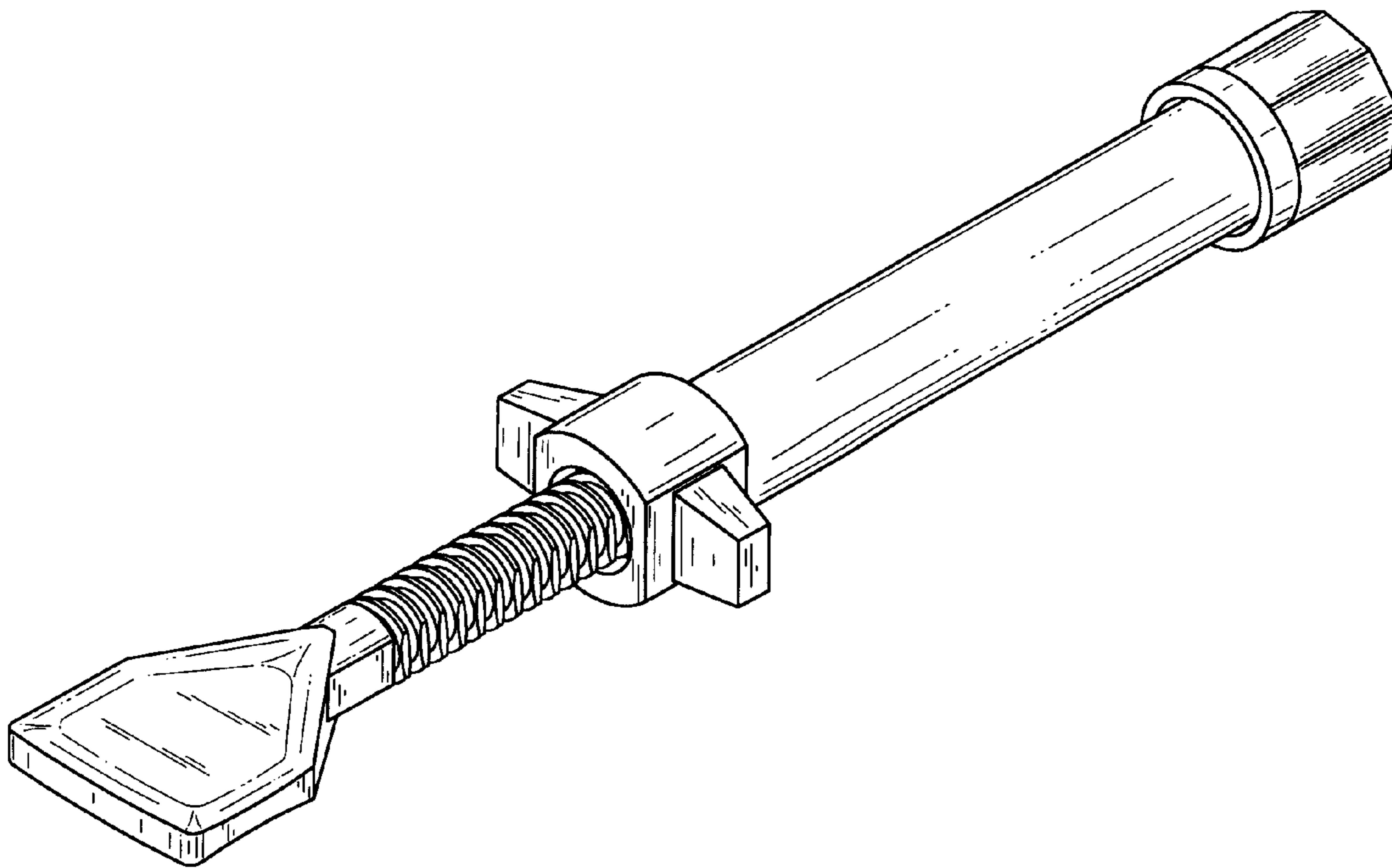
FIG. 5 shows a top plan view thereof, the bottom plan view being a mirror image; and,

U.S. PATENT DOCUMENTS

FIG. 6 shows a perspective view of our new design with cap on.

D. 287,877	1/1987	Hulewinski et al.	D24/114
4,863,072	9/1989	Perler	433/90 X
5,267,859	12/1993	Dische, Jr.	433/90 X

1 Claim, 1 Drawing Sheet



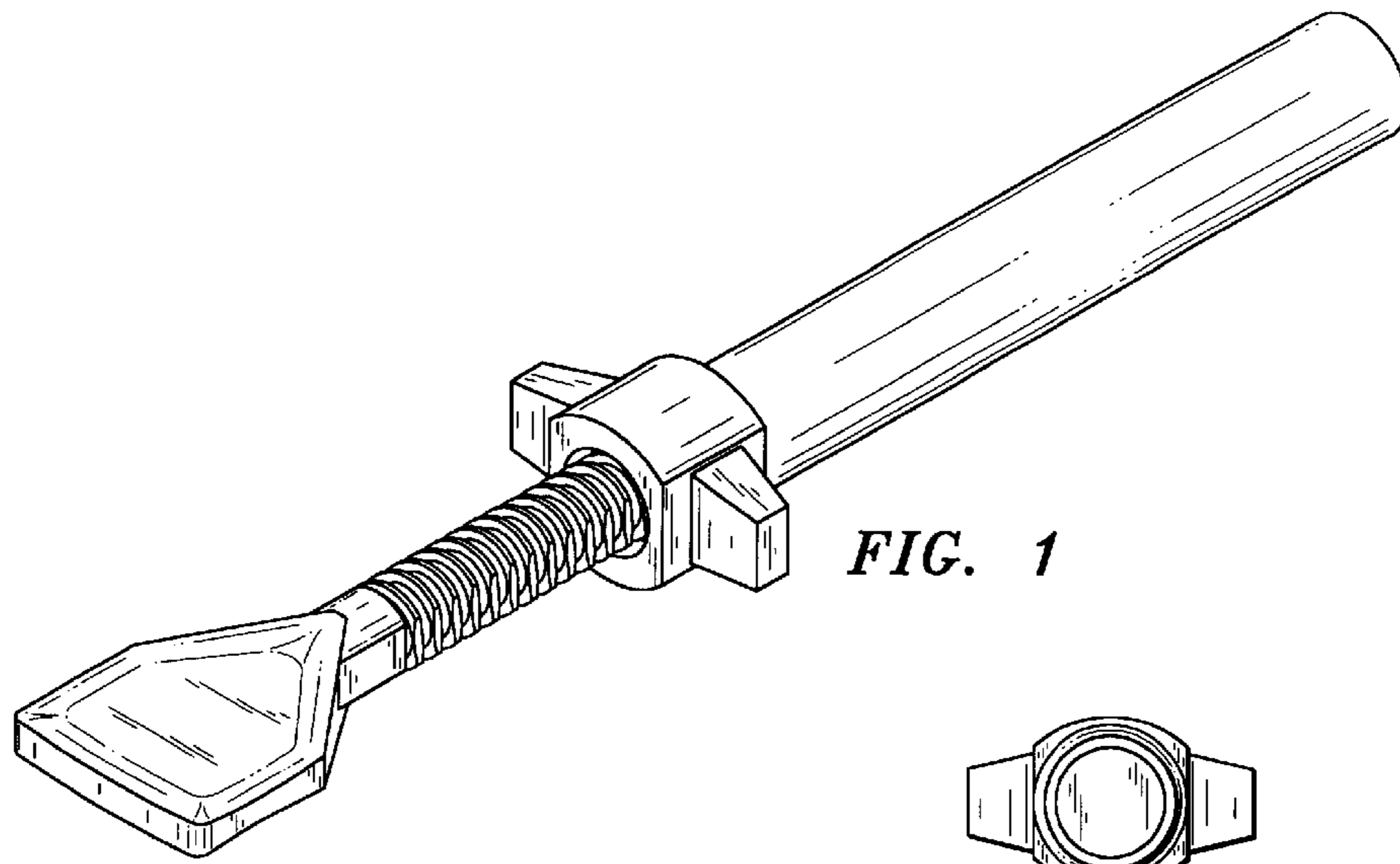


FIG. 1

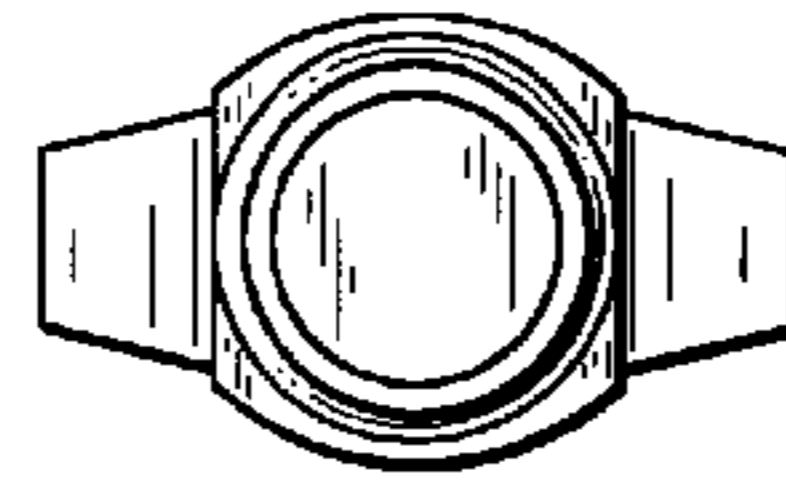


FIG. 3

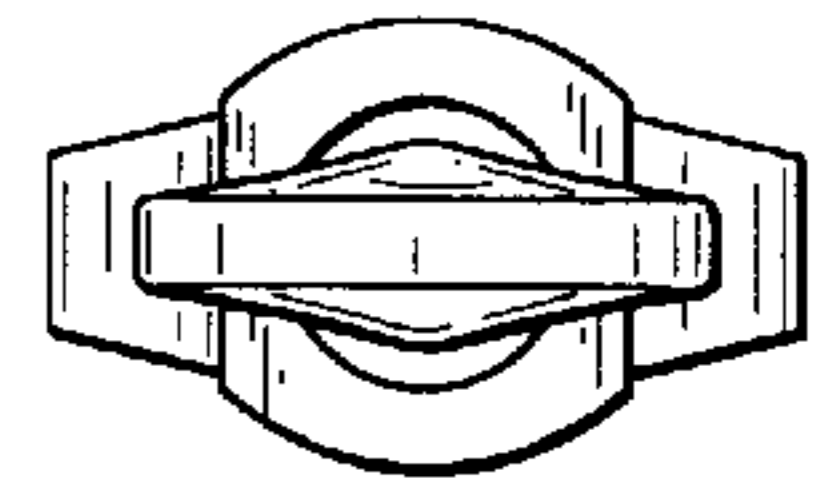


FIG. 4

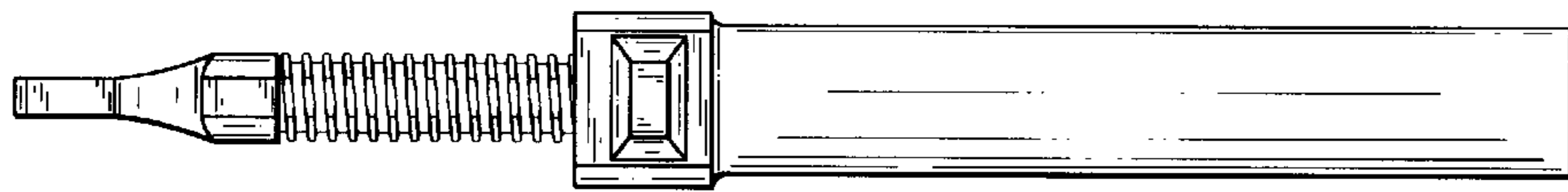


FIG. 2

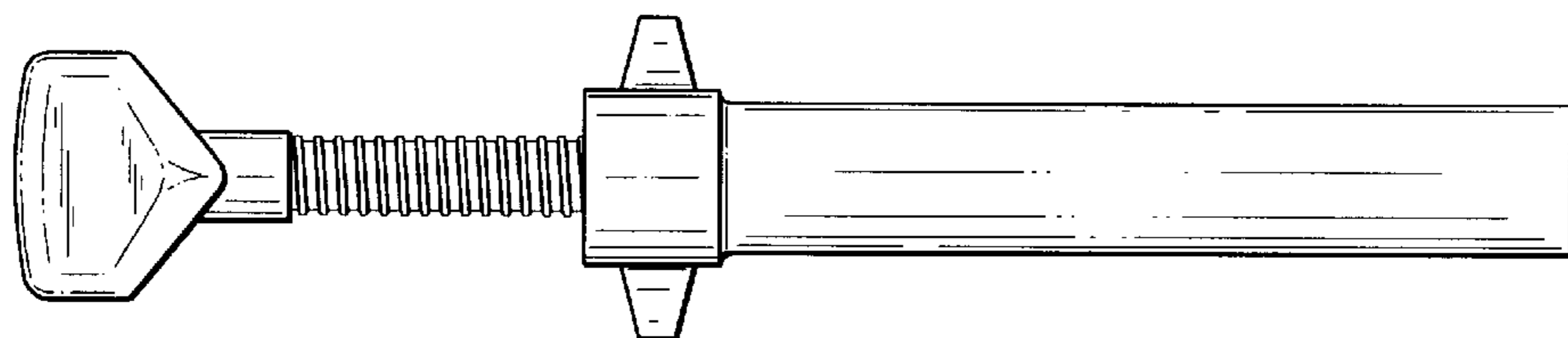


FIG. 5

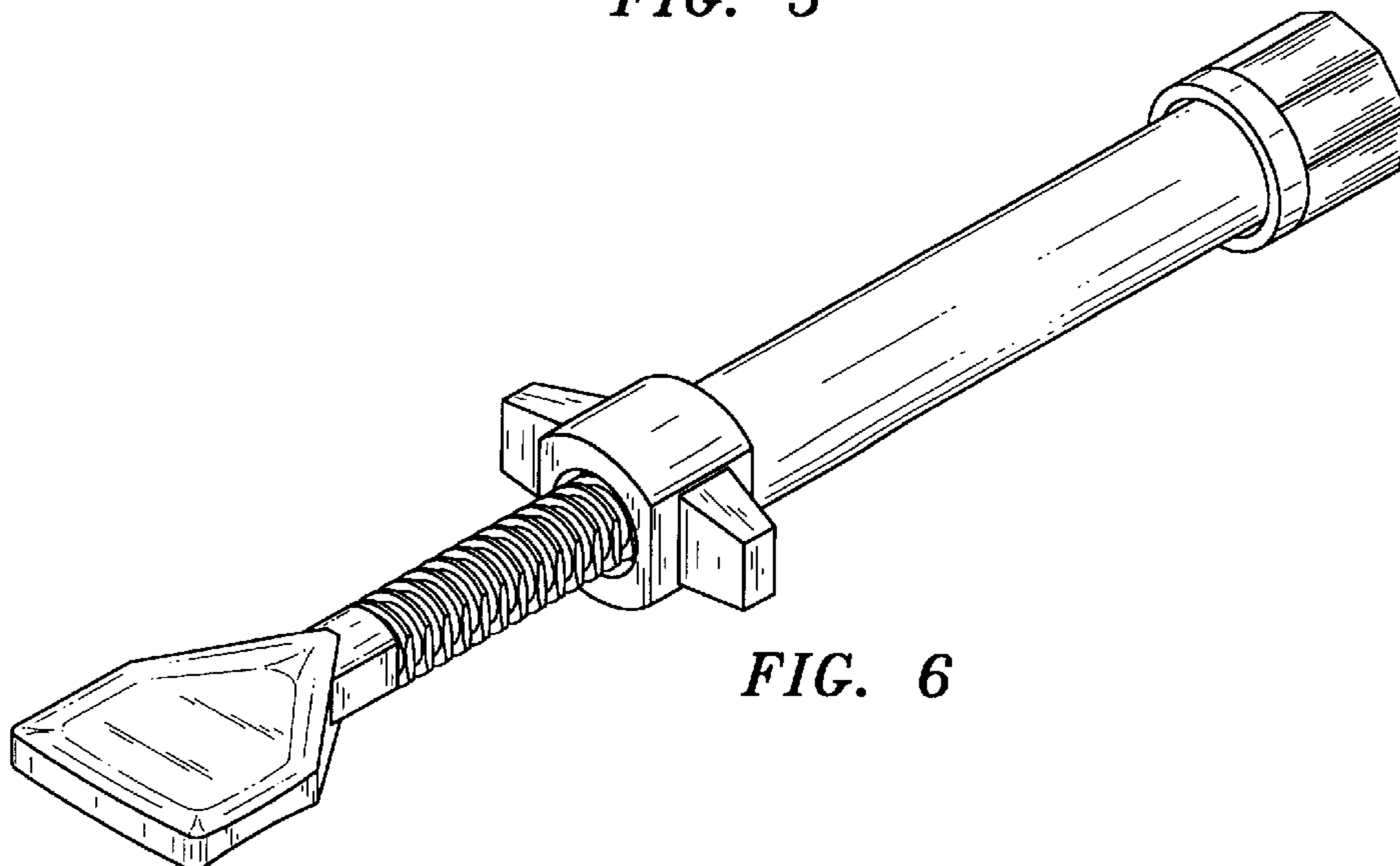


FIG. 6