



US00D421120S

# United States Patent [19]

[11] Patent Number: Des. 421,120

Brotspies et al.

[45] Date of Patent: \*\* Feb. 22, 2000

[54] **SPRAY BOTTLE GRIP**

[75] Inventors: **Herbert V. Brotspies**, East Edison, N.J.; **John B. Cullen**, Rolling Meadows, Ill.; **Warren J. Smith**, Kalamazoo, Mich.

[73] Assignee: **Pharmacia & Upjohn Company**, Kalamazoo, Mich.

[\*\*] Term: **14 Years**

[21] Appl. No.: **29/092,547**

[22] Filed: **Aug. 21, 1998**

[51] **LOC (7) Cl.** ..... **24-02**

[52] **U.S. Cl.** ..... **D24/114; D9/434; D9/443**

[58] **Field of Search** ..... D9/300, 434, 436, D9/443, 447, 448, 449; D24/112, 113, 114, 115, 108, 130; 222/465.1, 466, 467, 469, 470, 471, 402.1; 604/187, 192, 214, 218, 227

5,092,496 3/1992 Gayle et al. .... 222/386  
 5,127,548 7/1992 Brunet et al. .... 222/80  
 5,135,511 8/1992 Houghton et al. .... 604/218  
 5,215,227 6/1993 Farner ..... 222/175  
 5,341,993 8/1994 Haber et al. .... 239/331  
 5,368,201 11/1994 Fuchs ..... 222/162  
 5,431,155 7/1995 Marelli ..... 128/200.14  
 5,450,983 9/1995 Stern et al. .... 222/402.1  
 5,453,093 9/1995 Haining ..... 604/218 X  
 5,509,578 4/1996 Livingstone ..... 222/82  
 5,516,006 5/1996 Meshberg ..... 222/25  
 5,664,711 9/1997 Mellon ..... 224/148.4 X  
 5,836,922 11/1998 Hansen et al. .... 604/214

### FOREIGN PATENT DOCUMENTS

0636421A1 1/1995 European Pat. Off. .  
 WO9303856 3/1993 WIPO .  
 WO9713706 4/1997 WIPO .

*Primary Examiner*—Cathron B. Matta  
*Attorney, Agent, or Firm*—Van Dyke, Gardner, Linn & Burkhardt, LLP

### [57] CLAIM

The ornamental design for a spray bottle grip, as shown and described.

### DESCRIPTION

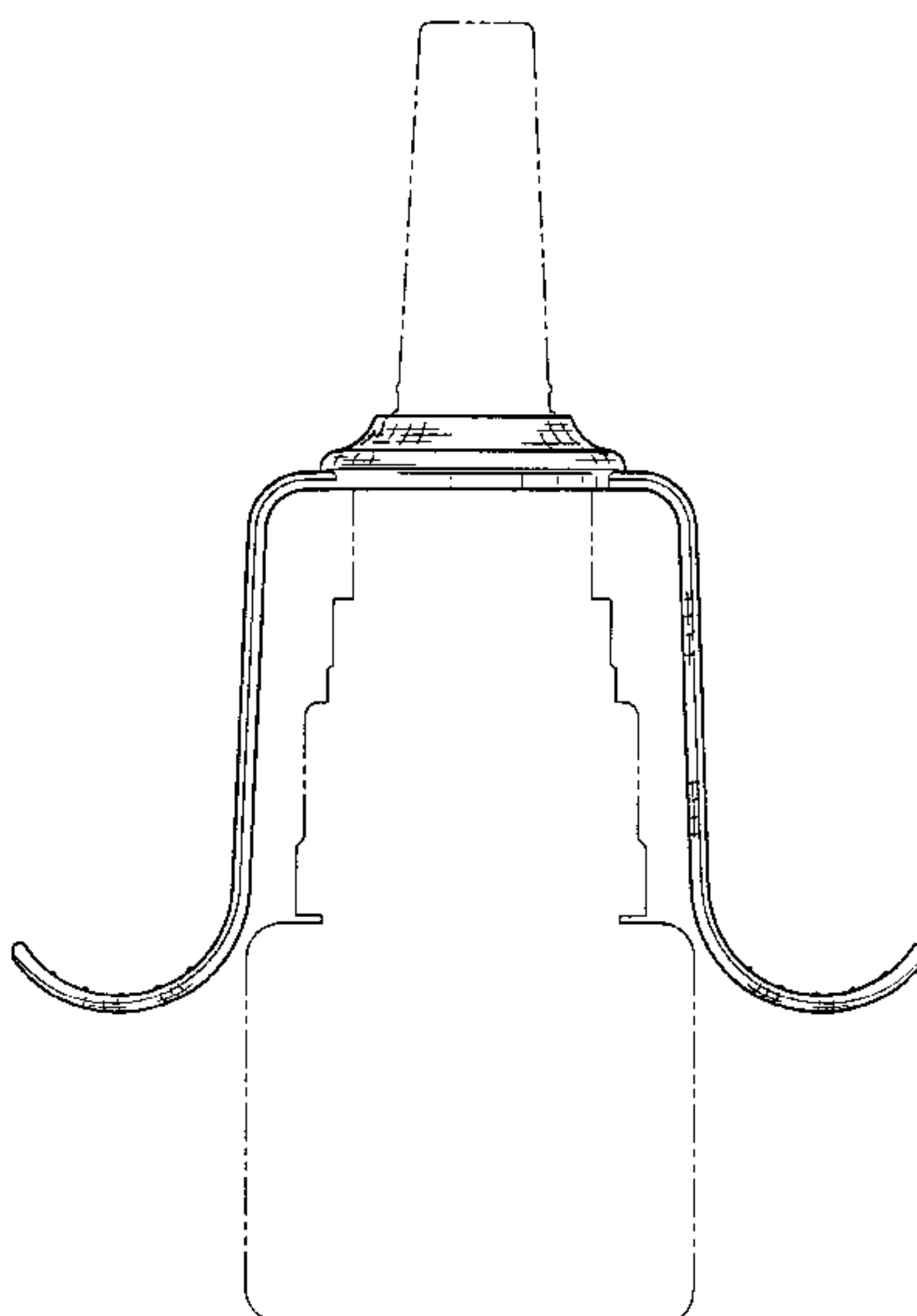
FIG. 1 is a perspective view of the spray bottle grip showing our new design;  
 FIG. 2 is a front, elevational view of the spray bottle grip of FIG. 1, the rear, elevational view being a mirror image thereof;  
 FIG. 3 is a top view of the spray bottle grip of FIG. 1;  
 FIG. 4 is a bottom view of the spray bottle grip of FIG. 1; and,  
 FIG. 5 is a right side, elevational view of the spray bottle grip of FIG. 1, the left side, elevational view being a mirror image thereof.  
 The broken line showing of a spray bottle is for illustrative purposes only and forms no part of the claimed design.

1 Claim, 2 Drawing Sheets

[56] **References Cited**

U.S. PATENT DOCUMENTS

D. 165,591 1/1952 Lee ..... D24/112  
 180,036 7/1876 Jones .  
 185,180 12/1876 Jones .  
 D. 199,606 11/1964 Waterman ..... D24/115  
 D. 229,518 12/1973 Bujan ..... D24/114  
 D. 355,491 2/1995 Monea ..... D24/114 X  
 D. 375,788 11/1996 Potts et al. .... D24/108  
 1,221,103 4/1917 Sorensen .  
 1,327,686 1/1920 Rose .  
 1,641,003 8/1927 Lang .  
 1,763,551 6/1930 Brown .  
 2,185,534 1/1940 Bernhardt ..... 299/97  
 2,550,210 4/1951 Vance, Jr. .... 222/320  
 2,606,699 8/1952 Andricks ..... 222/470  
 3,225,763 12/1965 Waterman ..... 604/192  
 4,174,055 11/1979 Capra et al. .... 222/319  
 4,175,704 11/1979 Cohen ..... 239/320  
 4,944,429 7/1990 Bishop et al. .... 222/153.13



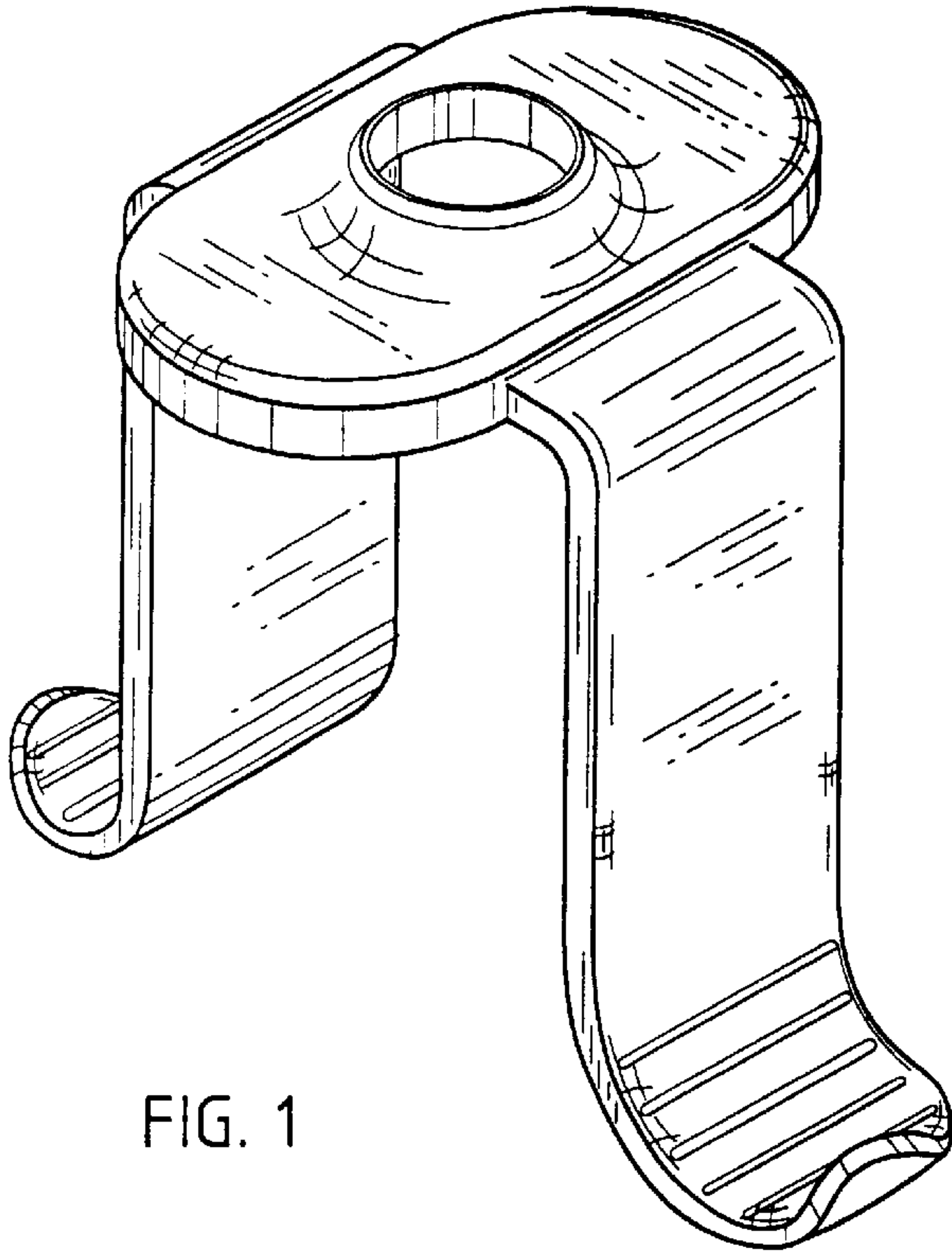


FIG. 1

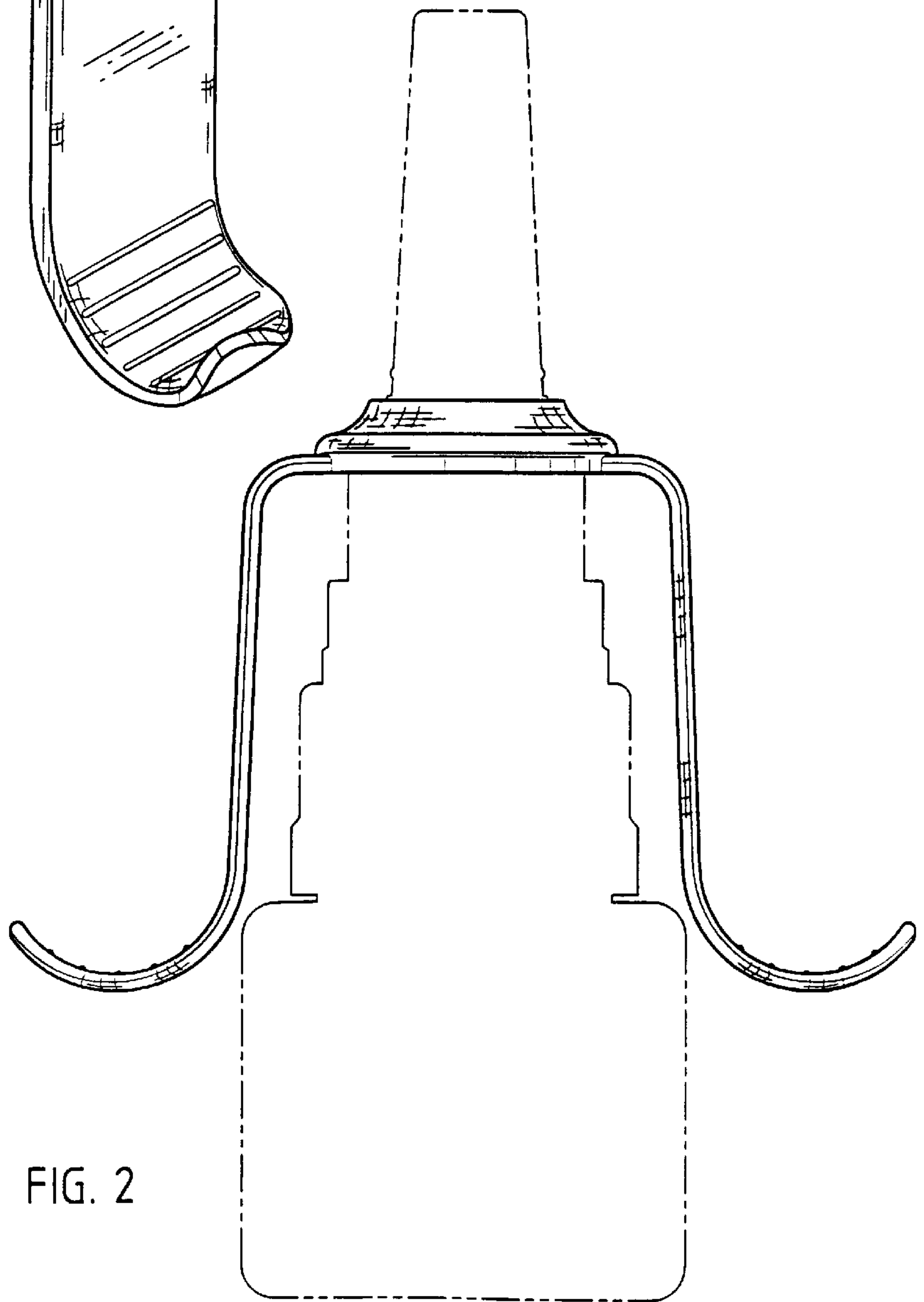


FIG. 2

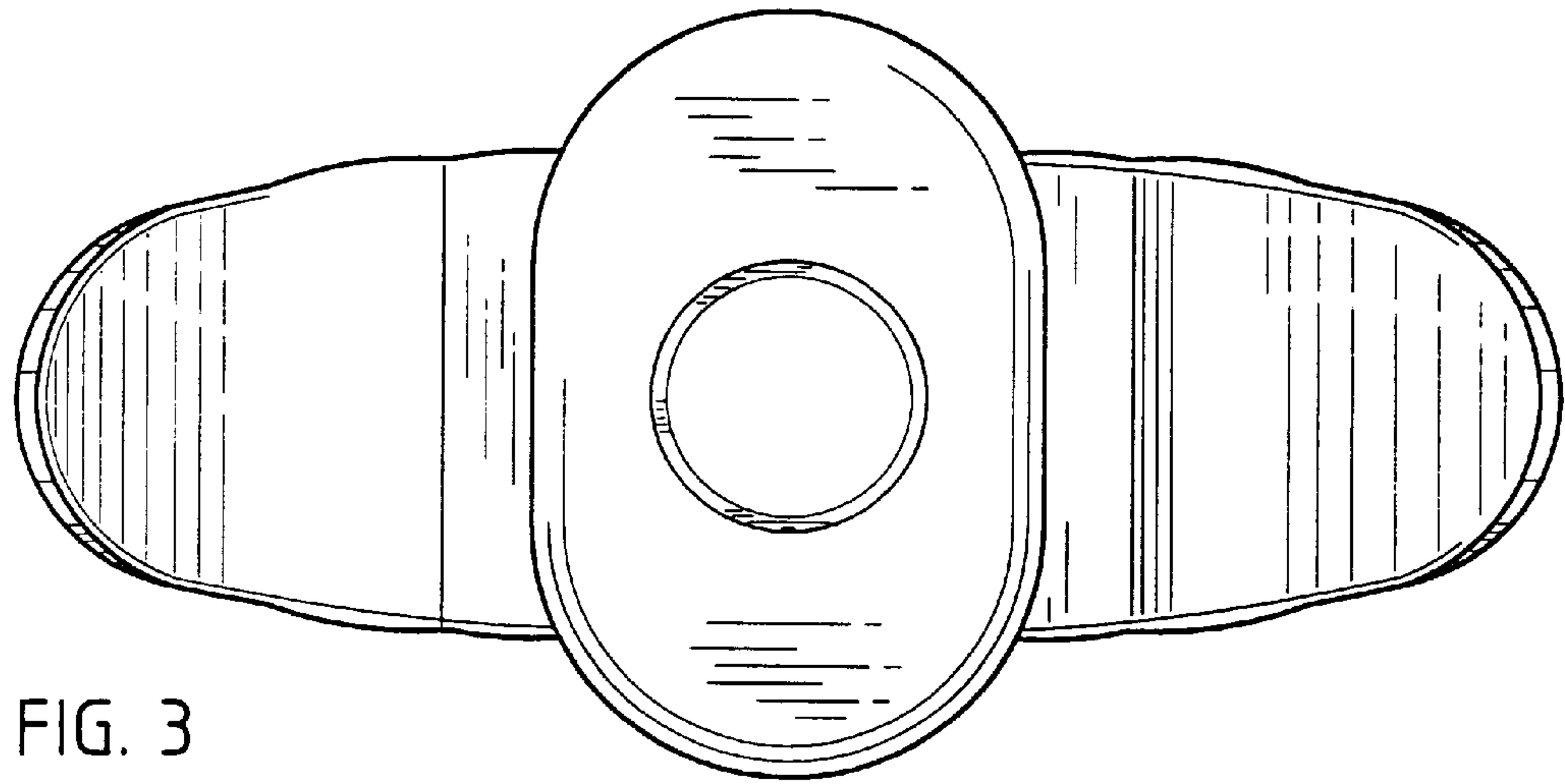


FIG. 3

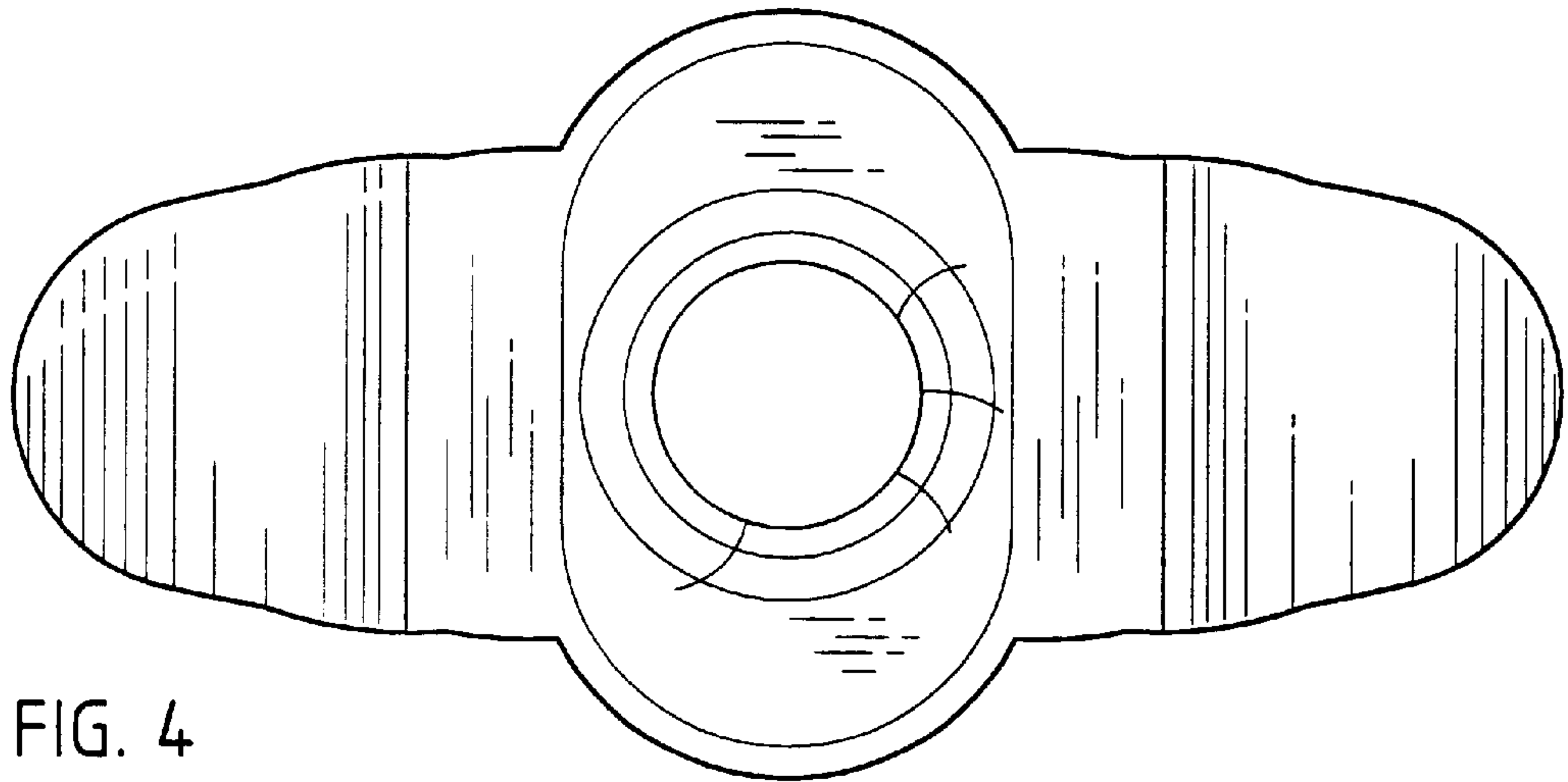


FIG. 4

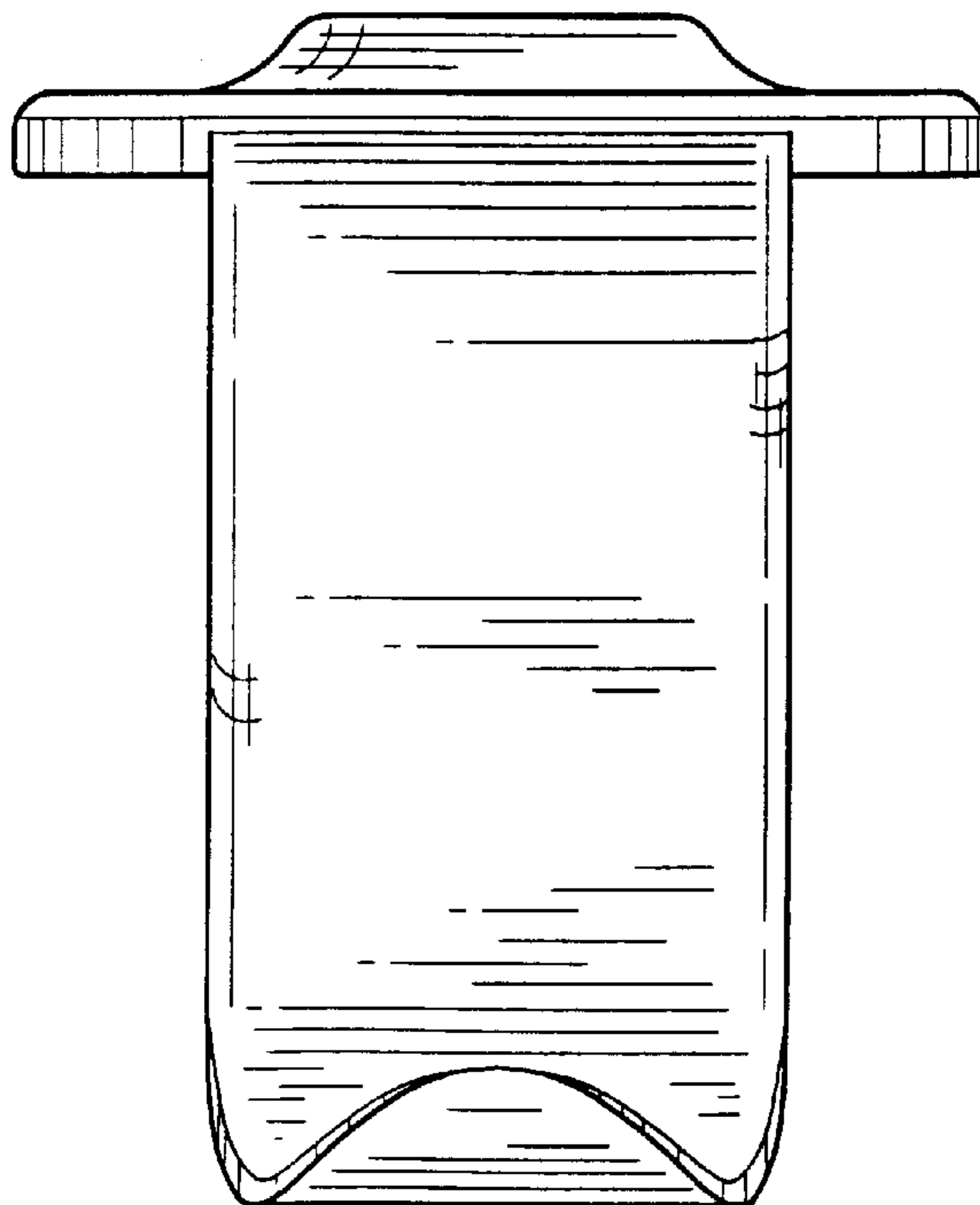


FIG. 5