



US00D421116S

United States Patent [19]

Mattila et al.

[11] **Patent Number: Des. 421,116**

[45] **Date of Patent: ** Feb. 22, 2000**

[54] **CAP**

[75] Inventors: **Robert J. Mattila**, Jordan, Minn.; **Gary A. Baribeau**, Hudson, Wis.; **Joseph G. Reischel**, Woodbury, Minn.; **Michael J. Bartholomew**, Lake Elmo, Minn.; **Kenneth W. Jensen**, Minneapolis, Minn.

[73] Assignee: **3M Innovative Properties Company**, St. Paul, Minn.

[**] Term: **14 Years**

[21] Appl. No.: **29/090,935**

[22] Filed: **Jul. 20, 1998**

[51] **LOC (7) Cl.** **29-02**

[52] **U.S. Cl.** **D24/110; D24/110.1; D24/110.2**

[58] **Field of Search** **D24/110, 110.1, 110.2, 110.3, 110.4, 110.5, 110.6, 121, 224; D9/435; 215/337, 200, 277, 318, 317, 339; 128/206.15, 206.17, 205.25, 206.12, 201.22**

[56] **References Cited**

U.S. PATENT DOCUMENTS

1,440,989 1/1923 Hammer 215/339

5,022,394 6/1991 Chmicklinski 128/207.14
5,535,736 7/1996 Tzaw 128/206.17 X
5,647,356 7/1997 Osendorf et al. 128/206.17

Primary Examiner—Stella Reid
Assistant Examiner—I Simmons
Attorney, Agent, or Firm—Karl G. Hanson

[57] **CLAIM**

The ornamental design for a cap, as shown and described.

DESCRIPTION

FIG. 1 is a top perspective view of a first embodiment of a cap, showing the new design.

FIG. 2 is a top plan view thereof.

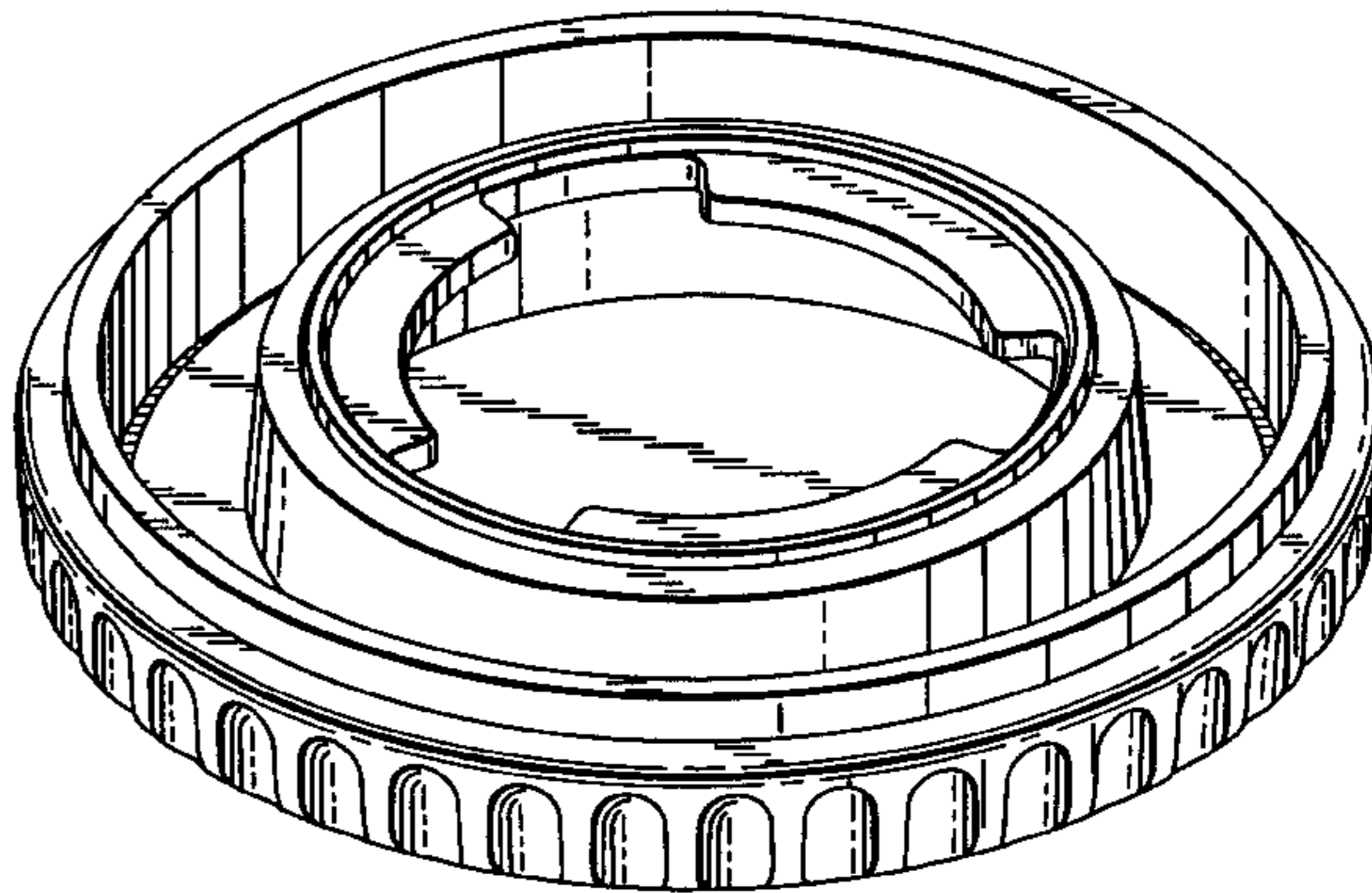
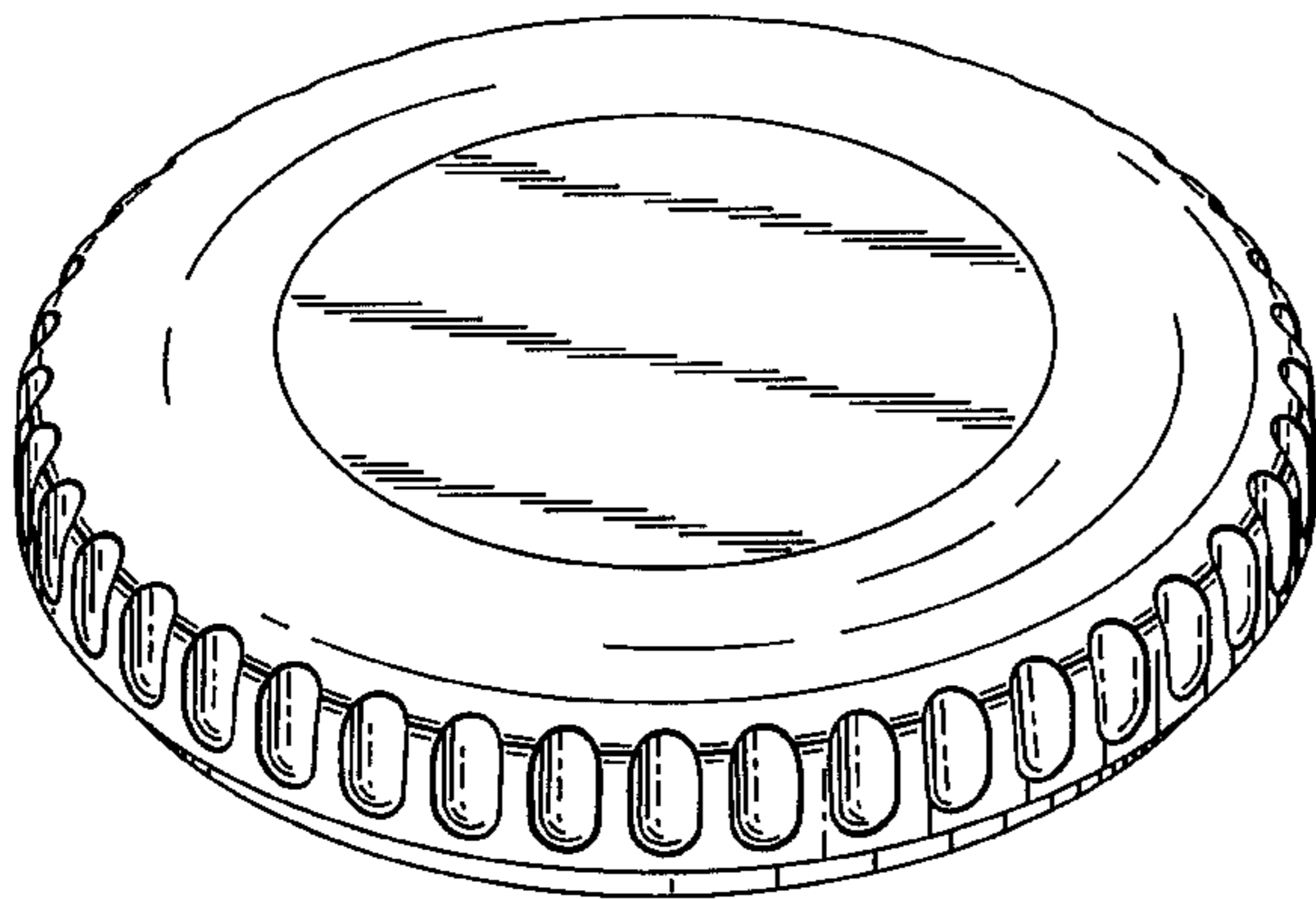
FIG. 3 is a bottom plan view thereof.

FIG. 4 is a front elevational view thereof. The rear elevational view is the same as the front elevational view; and,

FIG. 5 is a perspective view of the bottom of the cap in an inverted position relative to FIGS. 1-4.

The shading shown in the figures is provided merely to illustrate the contour of the new design; it is not intended to be indicative of any particular texture. The cap may be useful for covering inlet ports on a full-face respirator.

1 Claim, 3 Drawing Sheets



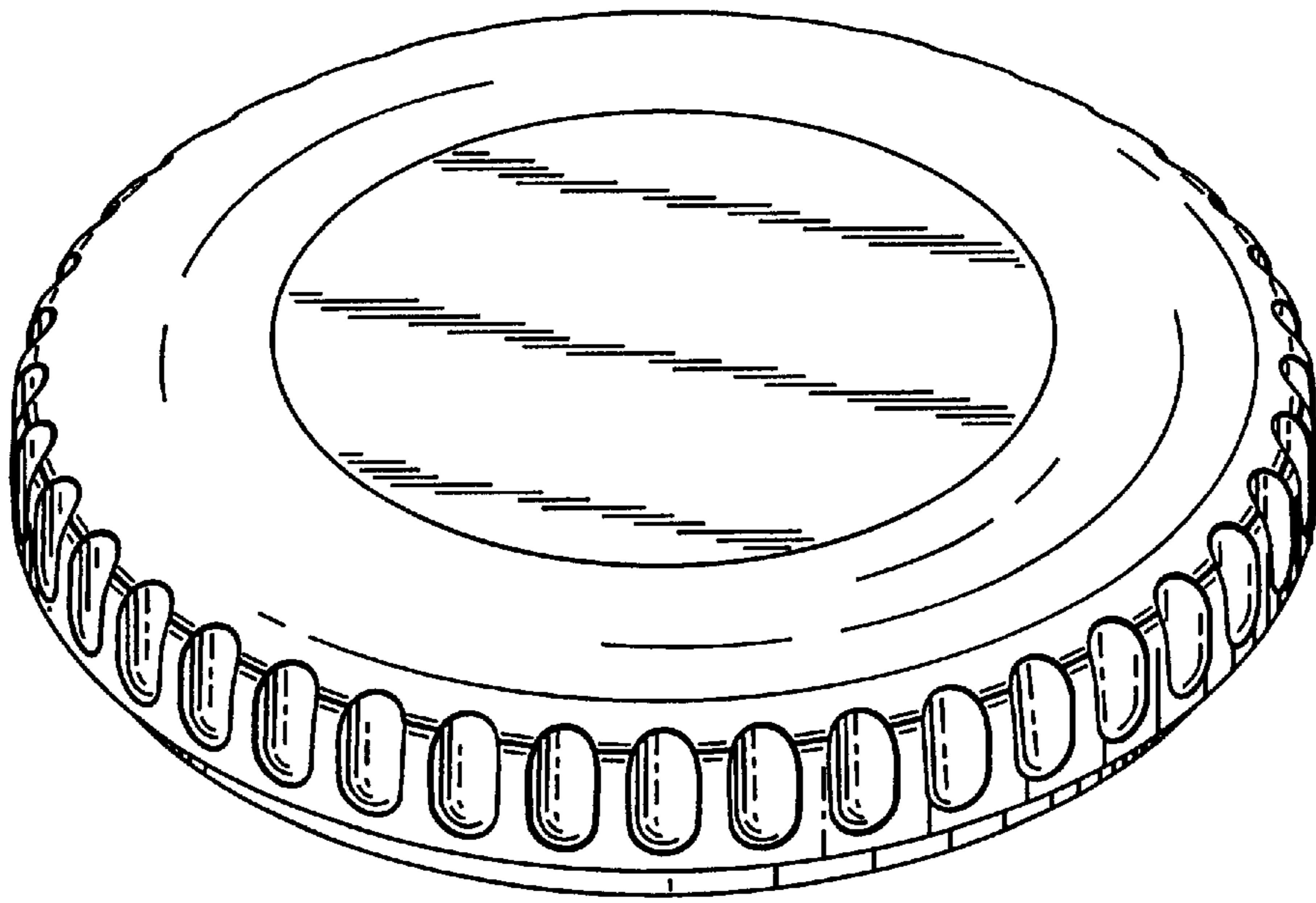


Fig. 1

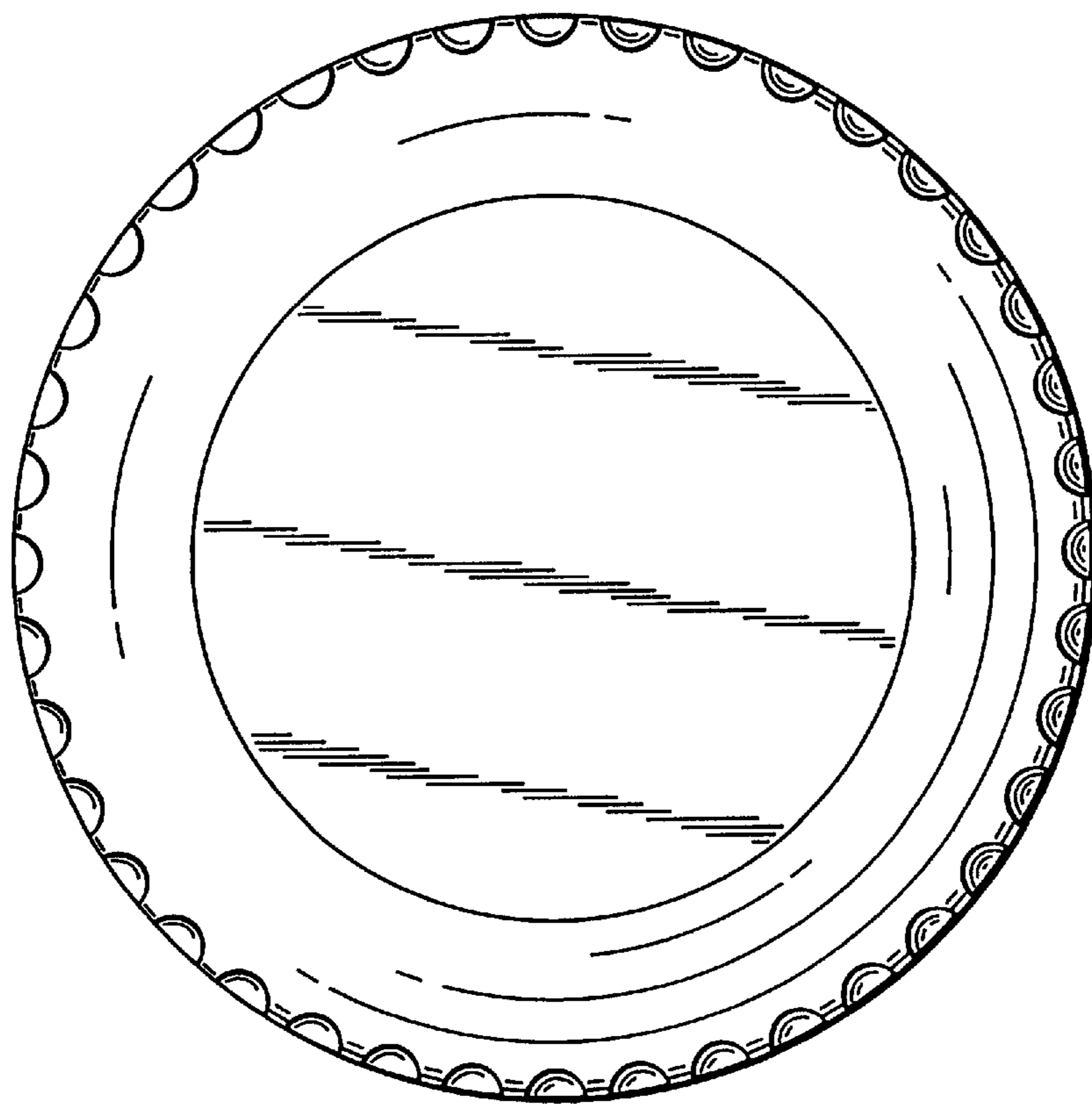


Fig. 2

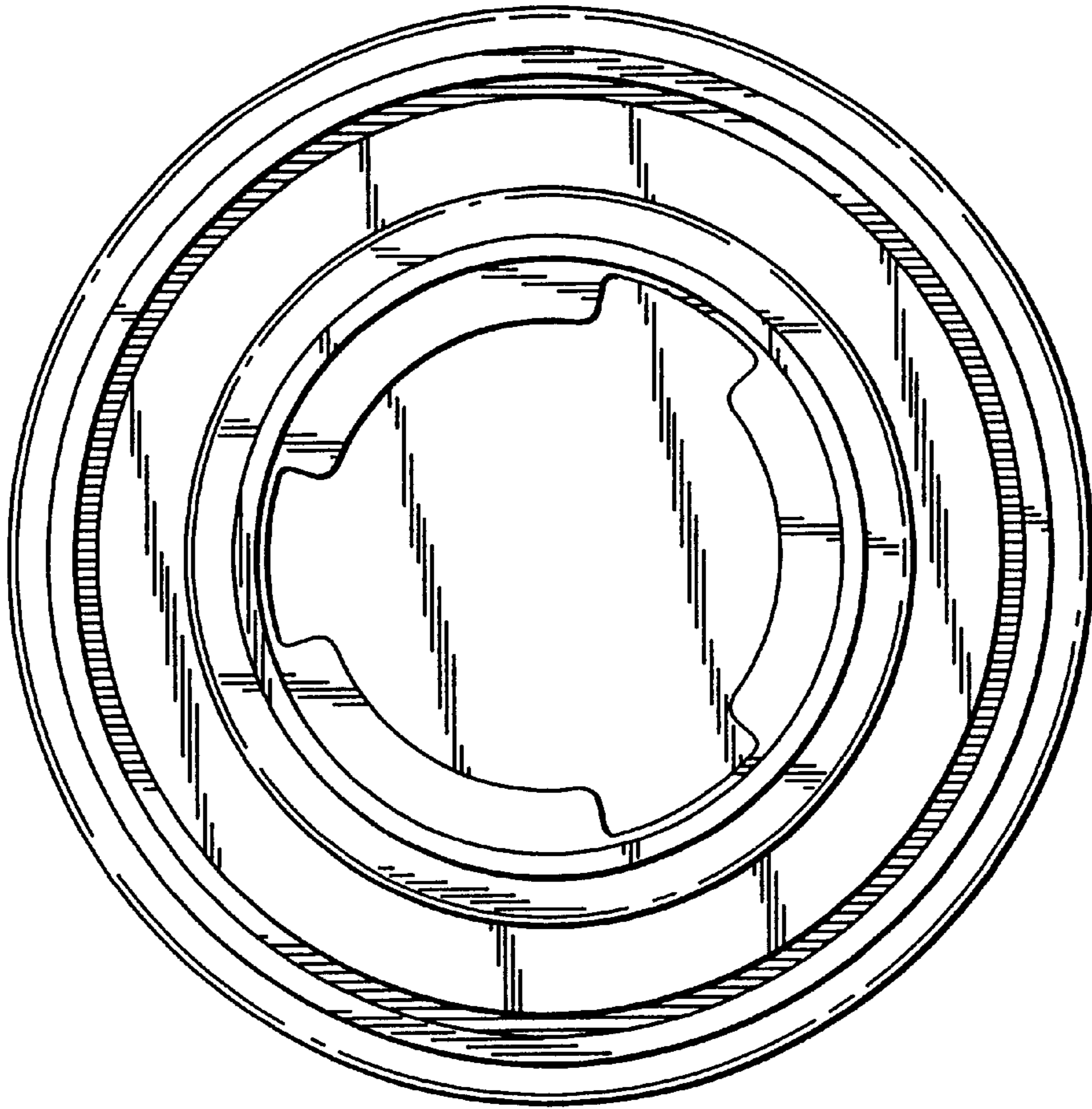


Fig. 3

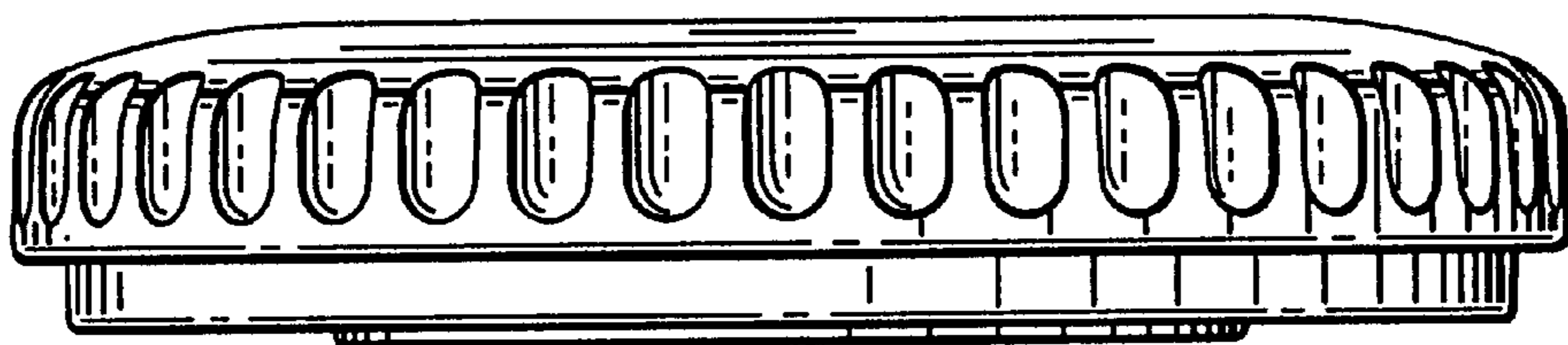


Fig. 4

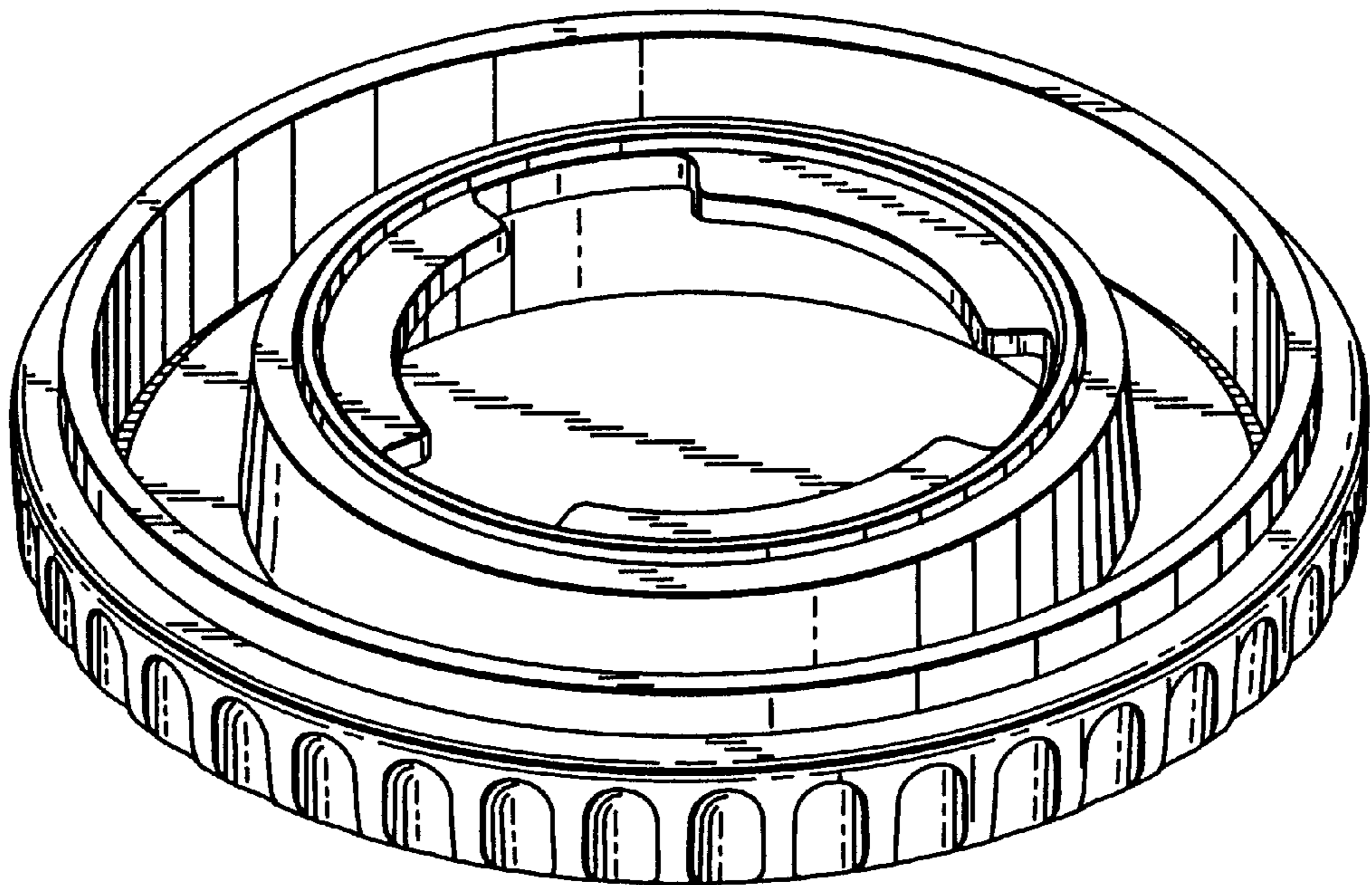


Fig. 5