



US00D421115S

# United States Patent [19]

[11] Patent Number: Des. 421,115

Gee, II

[45] Date of Patent: \*\* Feb. 22, 2000

[54] **COMBINED CANOPY, DOWNROD, MOTOR HOUSING, BLADE MEDALLIONS, SWITCH HOUSING, AND LIGHT FIXTURE UNIT FOR A CEILING FAN**

[75] Inventor: **Jack W. Gee, II**, Cordova, Tenn.

[73] Assignee: **Hunter Fan Company**, Memphis, Tenn.

[\*\*] Term: **14 Years**

[21] Appl. No.: **29/107,297**

[22] Filed: **Jun. 30, 1999**

[51] **LOC (7) Cl.** ..... **23-04**

[52] **U.S. Cl.** ..... **D23/411; D23/377; D23/379**

[58] **Field of Search** ..... **D23/385, 377, D23/379, 411; D26/59, 51, 81-86, 80, 88, 72; 416/5; 392/364; 362/96**

## [56] References Cited

### U.S. PATENT DOCUMENTS

D. 303,425	9/1989	Sonneman	.....	D23/385
D. 347,889	6/1994	Mason	.....	D23/411
D. 376,004	11/1996	Tsuji	.....	D23/377

*Primary Examiner*—Lisa Lichtenstein

*Attorney, Agent, or Firm*—Garrison, Morris & Haight, PLLC

## [57] CLAIM

The ornamental design of a combined canopy, downrod, motor housing, blade medallions, switch housing, and light fixture unit for a ceiling fan, as shown and described.

## DESCRIPTION

FIG. 1 is a perspective view of a combined canopy, down-

rod, motor housing, blade medallions, switch housing, and light fixture unit for a ceiling fan showing my new design;

FIG. 2 is a perspective view of the design shown in FIG. 1 with a portion of the environmental structure removed therefrom;

FIG. 3 is a front view of FIG. 2;

FIG. 4 is left-side view of FIG. 2;

FIG. 5 is a rear view of FIG. 2;

FIG. 6 is a right-side view of FIG. 2;

FIG. 7 is a top view of FIG. 2;

FIG. 8 is a bottom view of FIG. 2;

FIG. 9 is a perspective view of a combined canopy, downrod, motor housing, blade medallions, switch housing and light fixture unit for a ceiling fan showing a second embodiment of my new design;

FIG. 10 is a front view of FIG. 9;

FIG. 11 is a left-side view of FIG. 9;

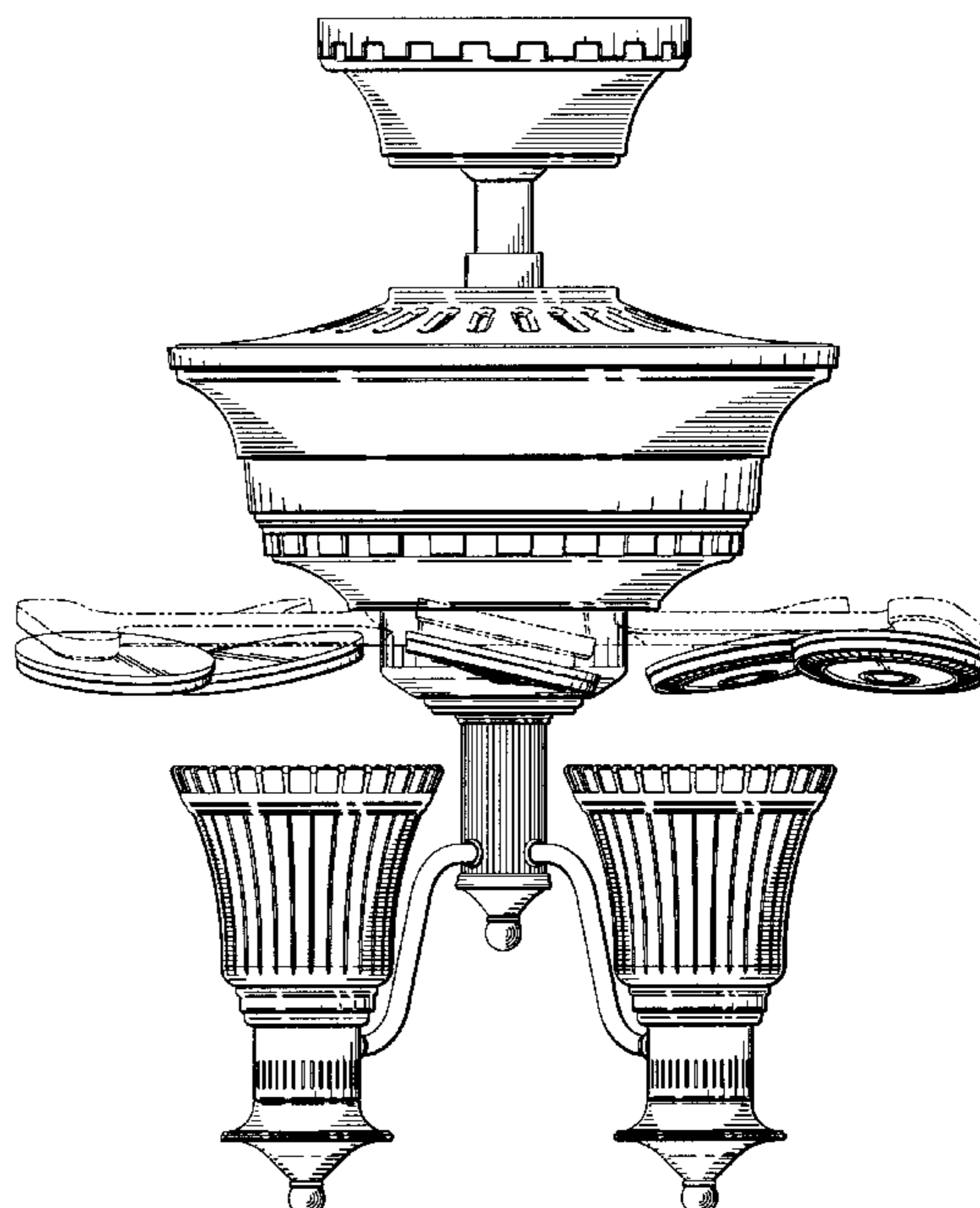
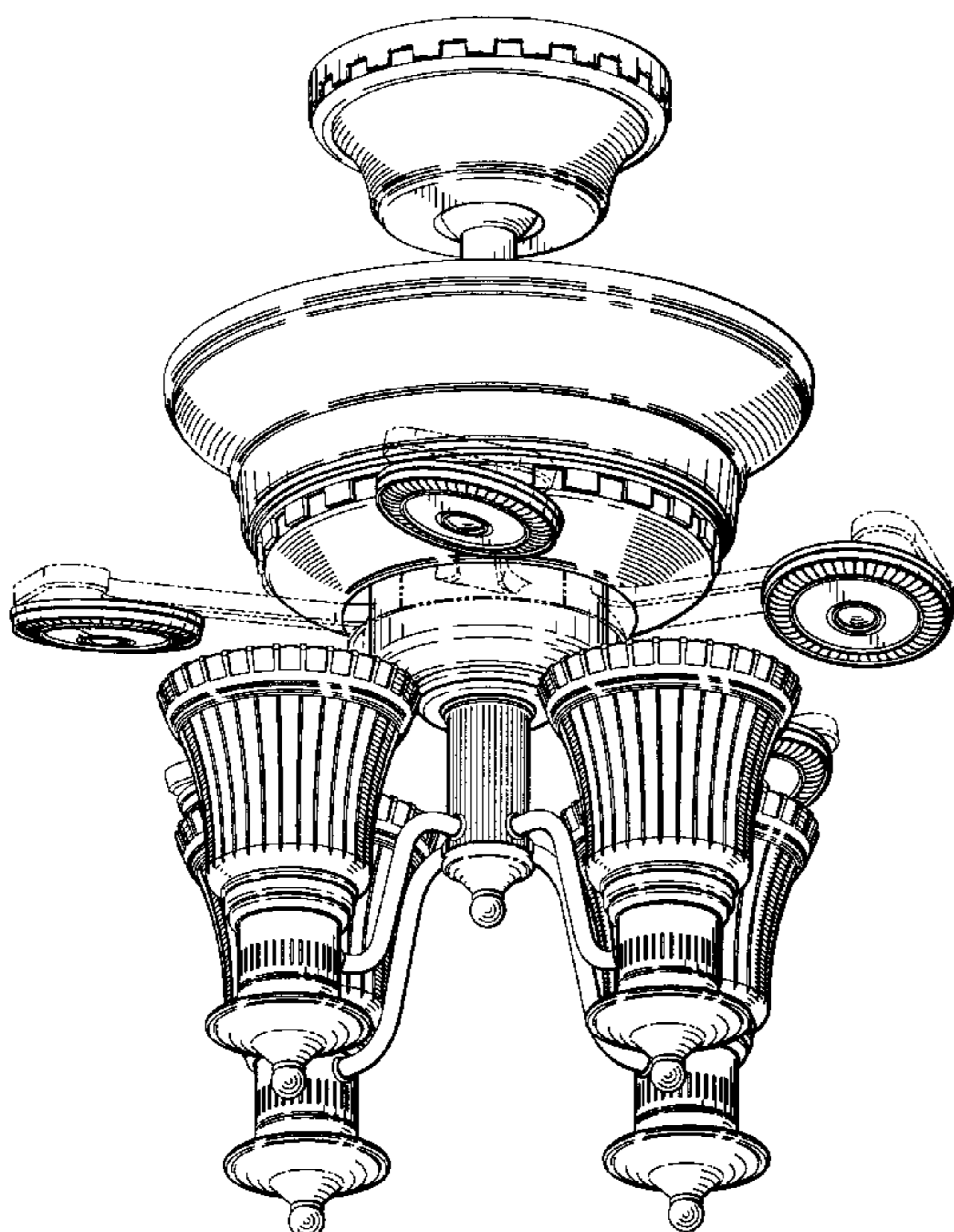
FIG. 12 is a rear view of FIG. 9;

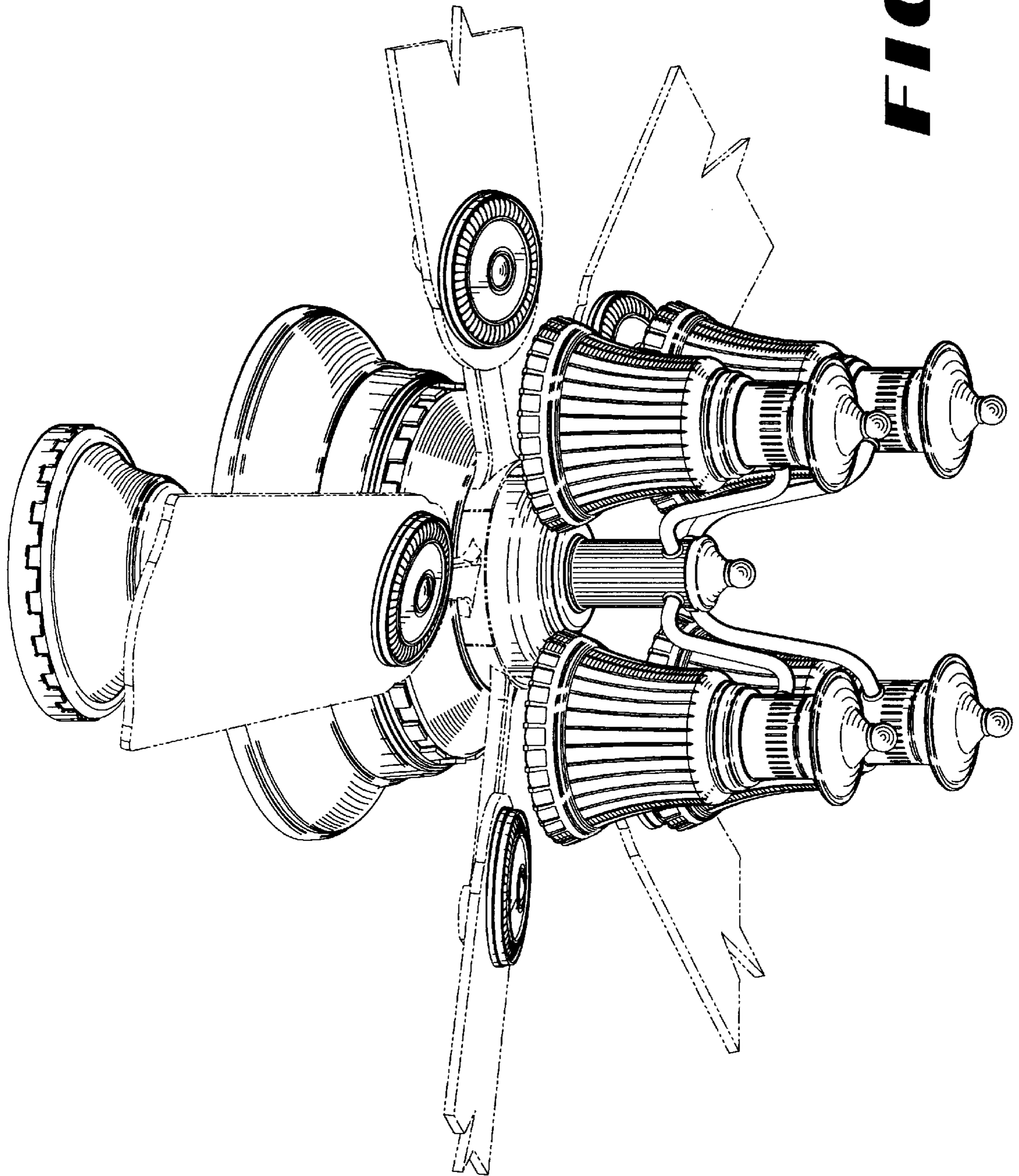
FIG. 13 is a right-side view of FIG. 9; and,

FIG. 14 is a top view of FIG. 9, with the bottom view of FIG. 9 being identical to FIG. 8.

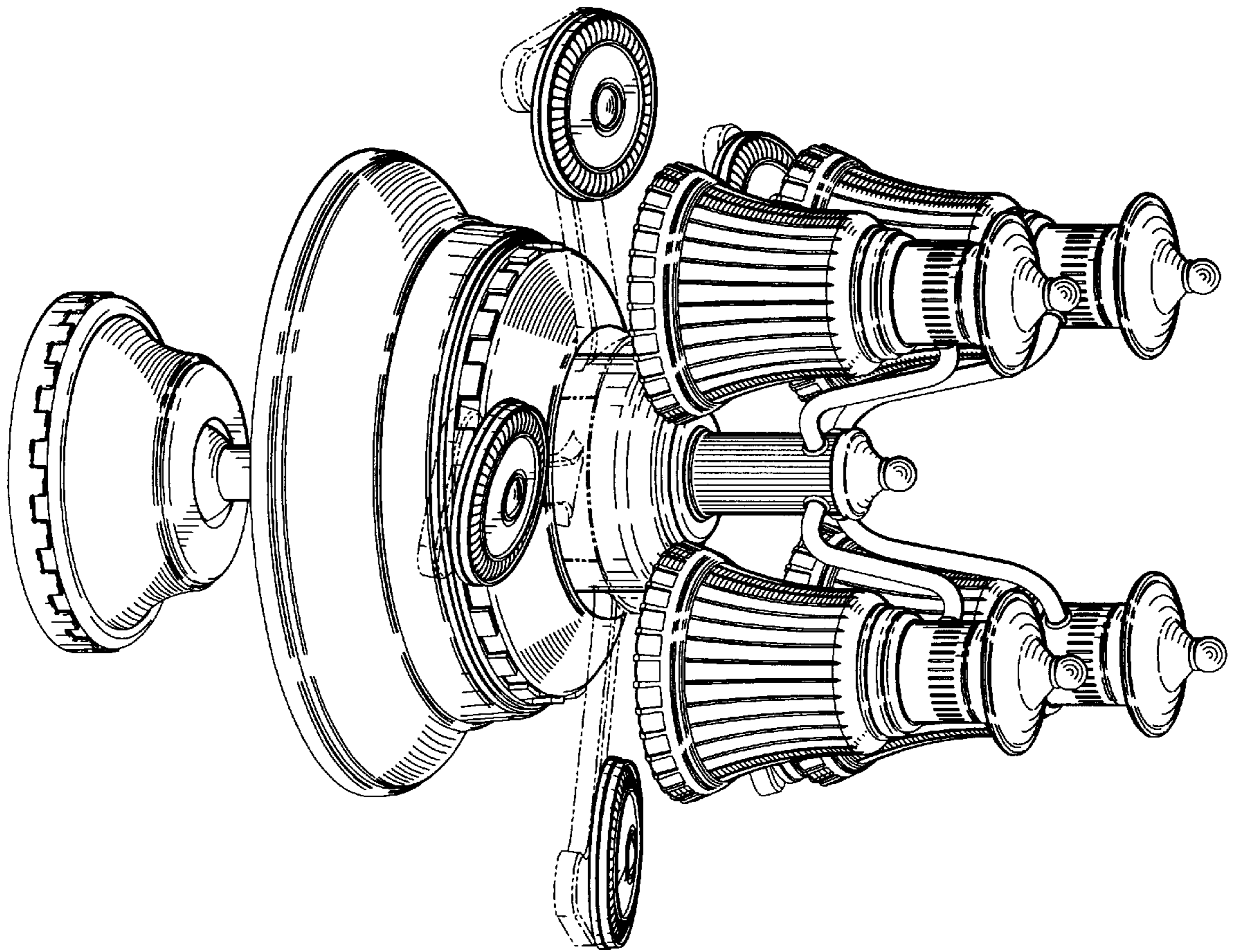
The broken line showing of environmental structure shown in FIGS. 1-14 is for illustrative purposes only and forms no part of the claimed design.

1 Claim, 14 Drawing Sheets

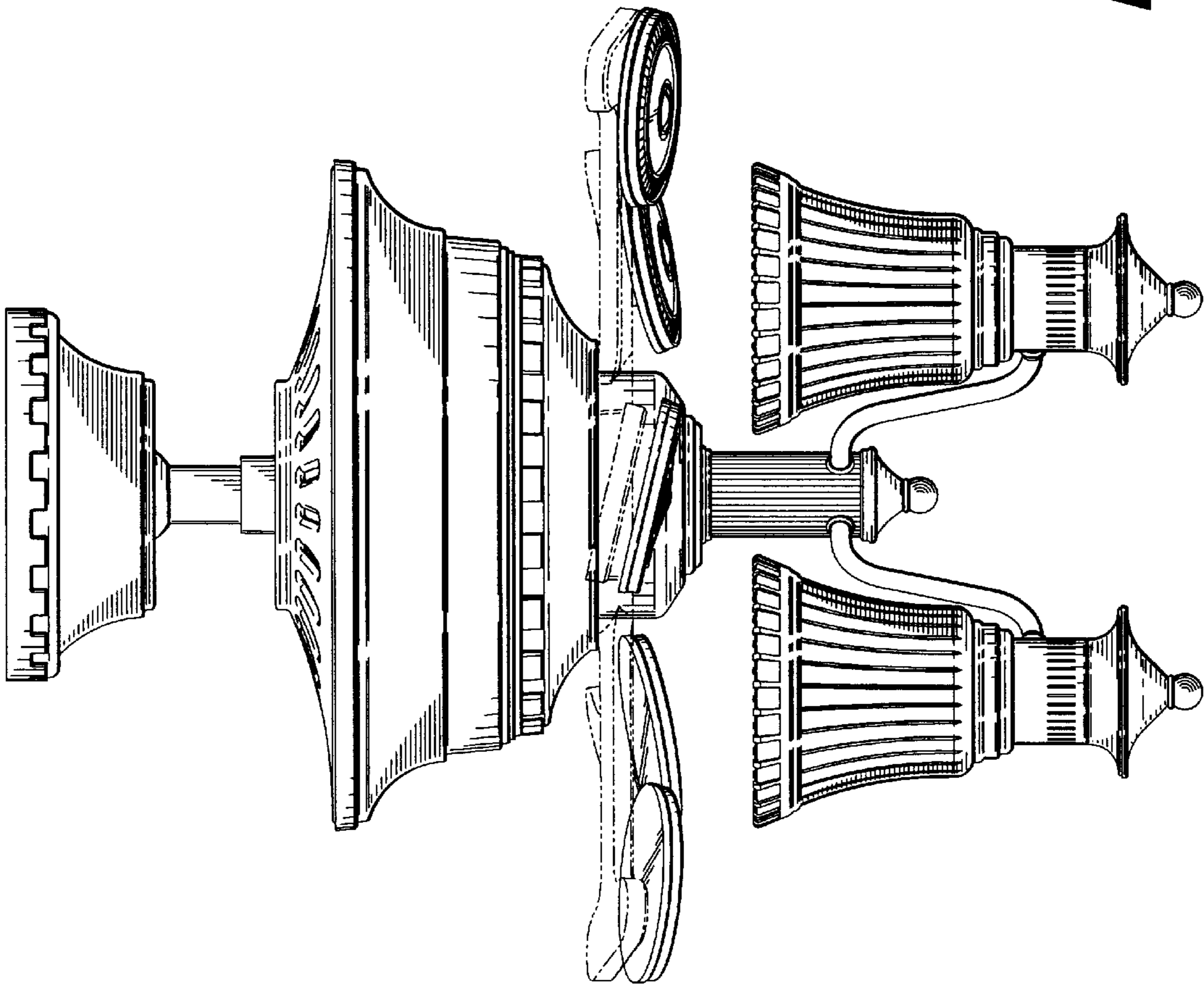




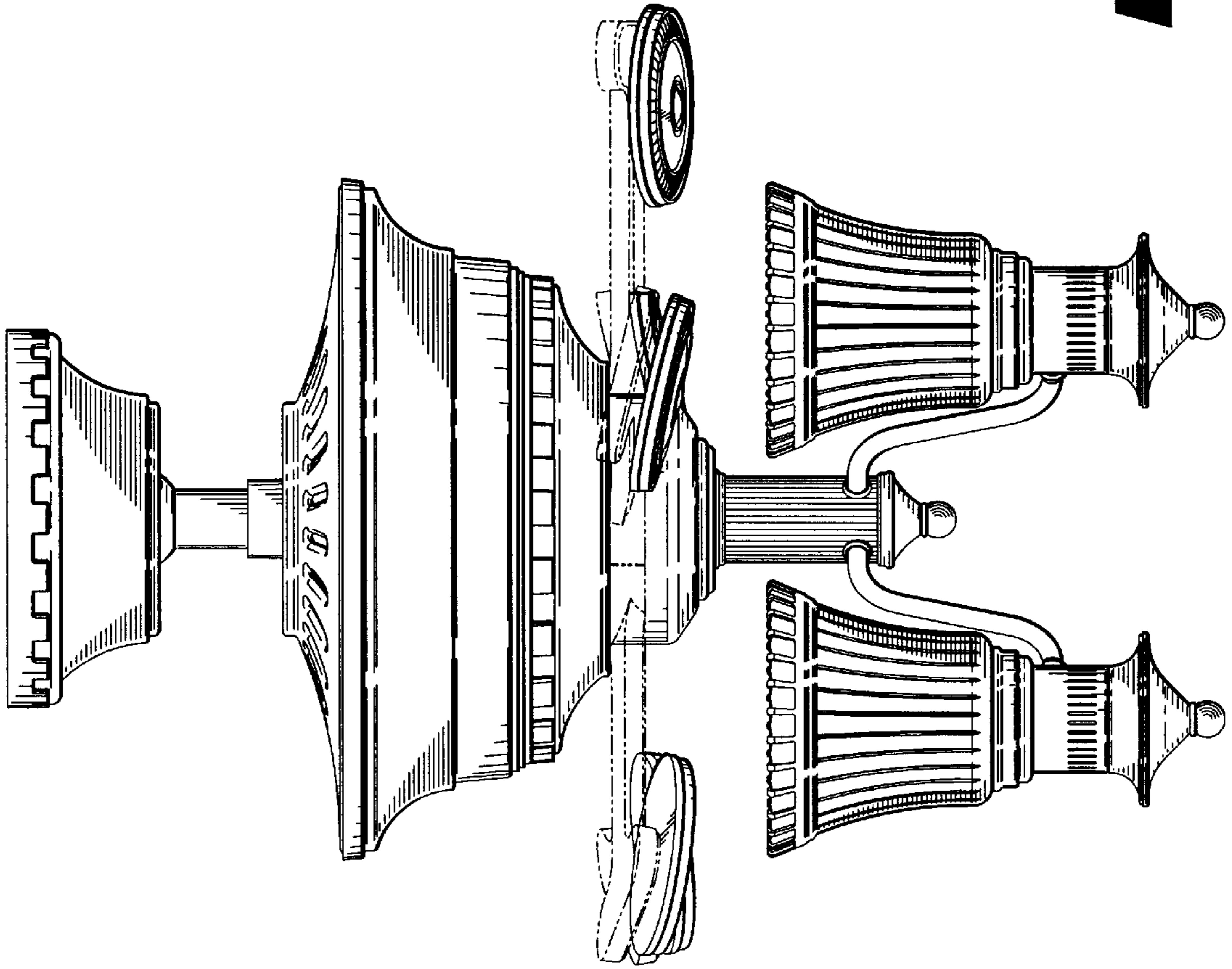
**FIG 1**



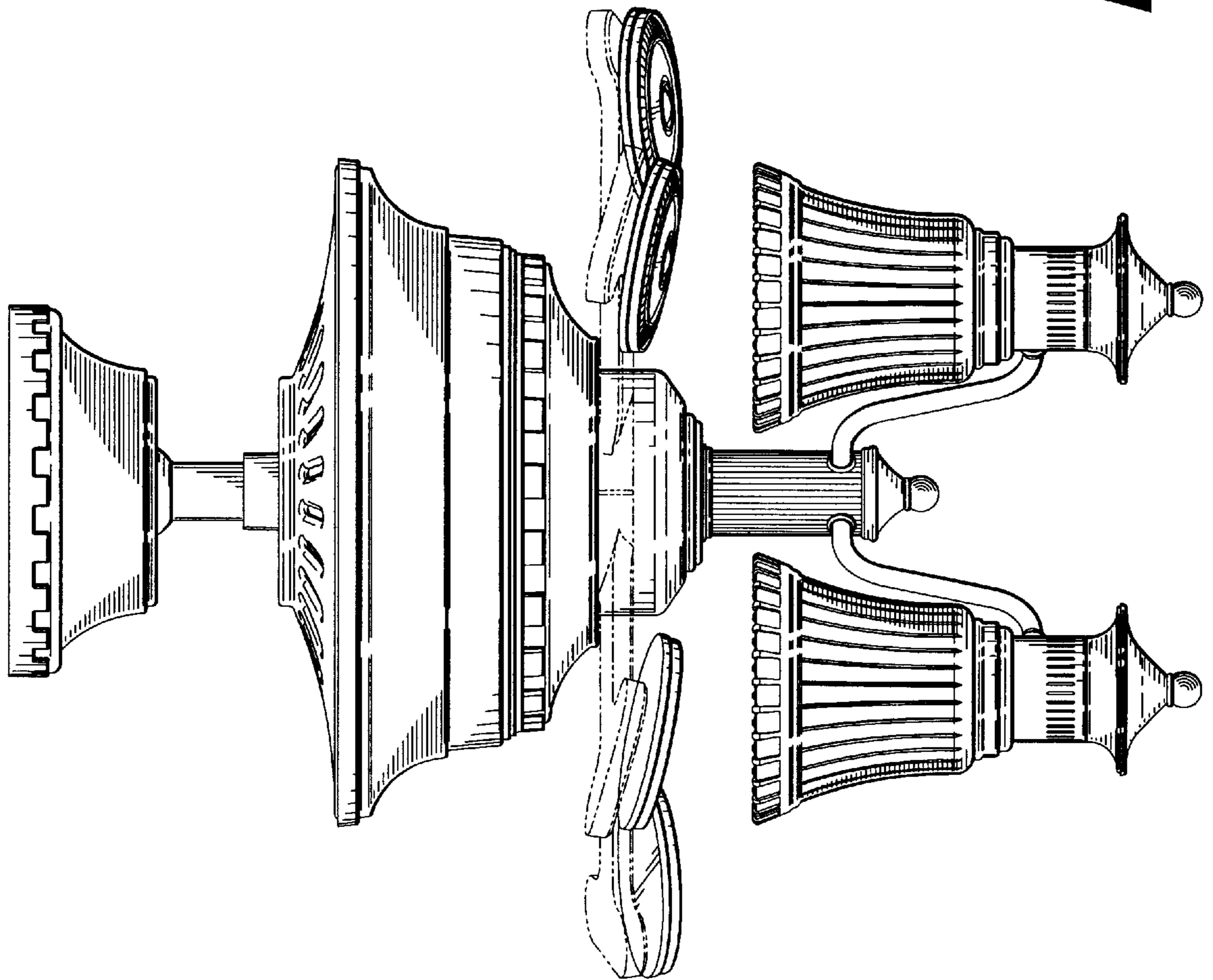
**FIG 2**



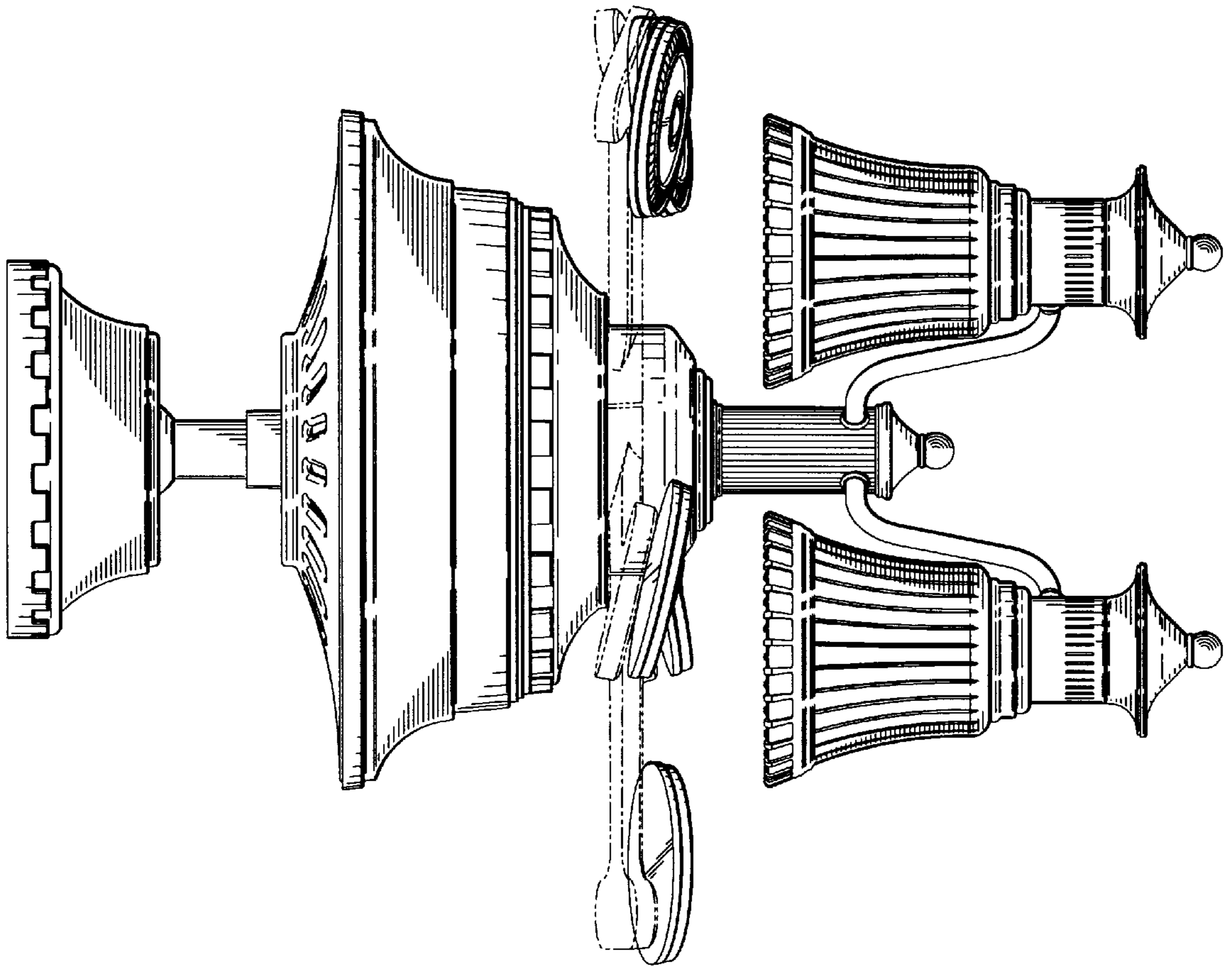
**FIG 3**



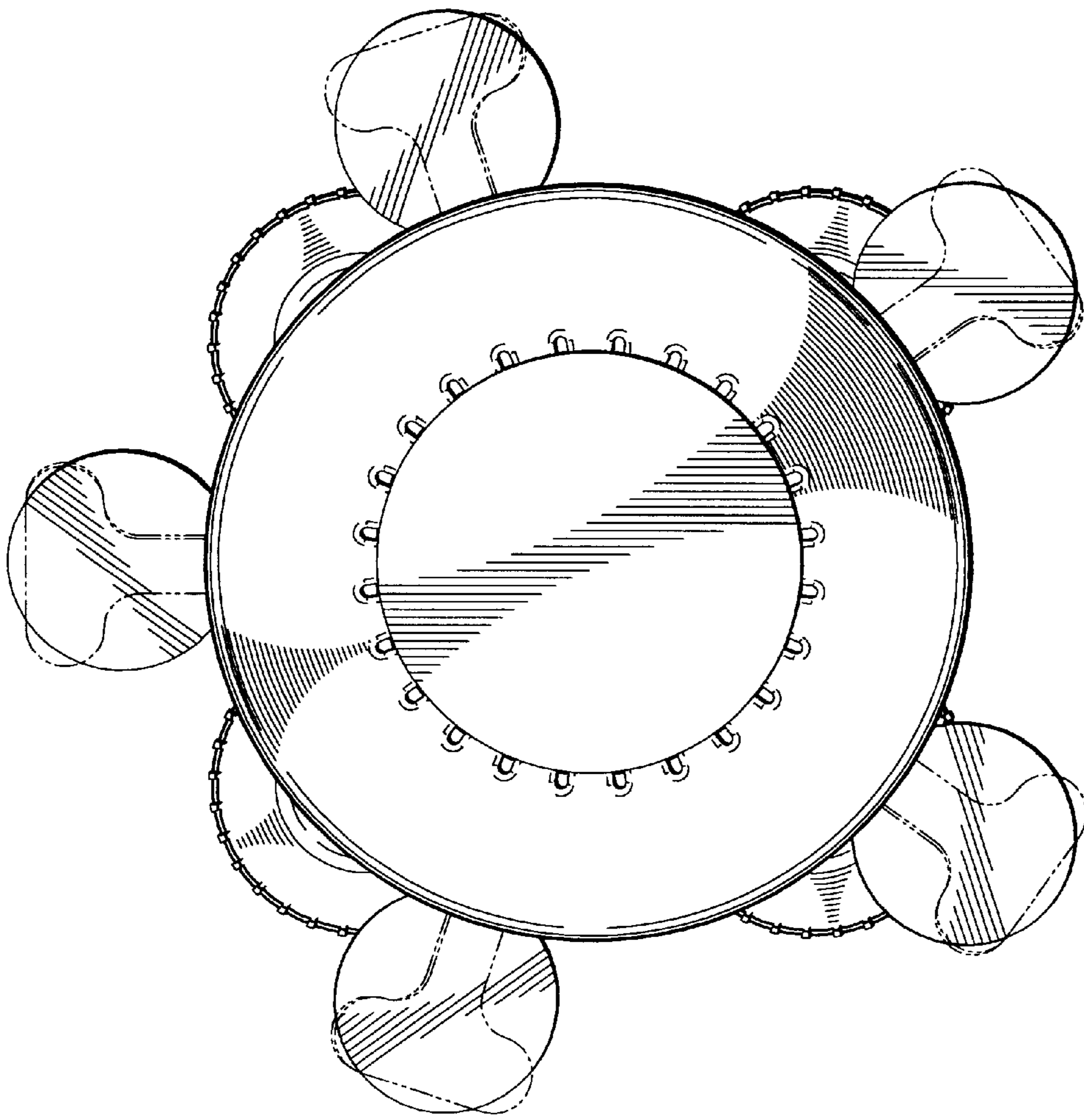
**FIG 4**



**FIG 5**

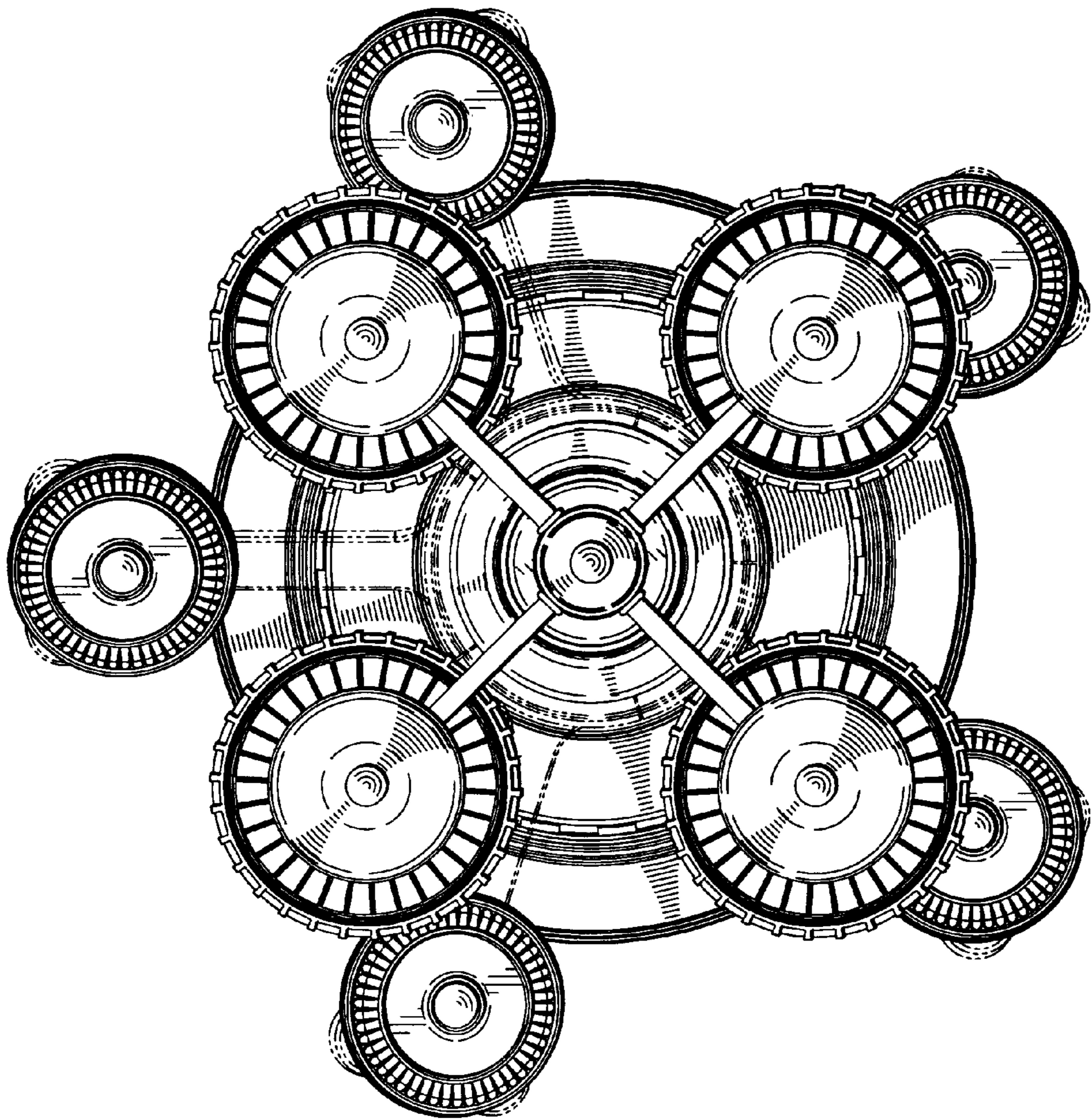


**FIG 6**

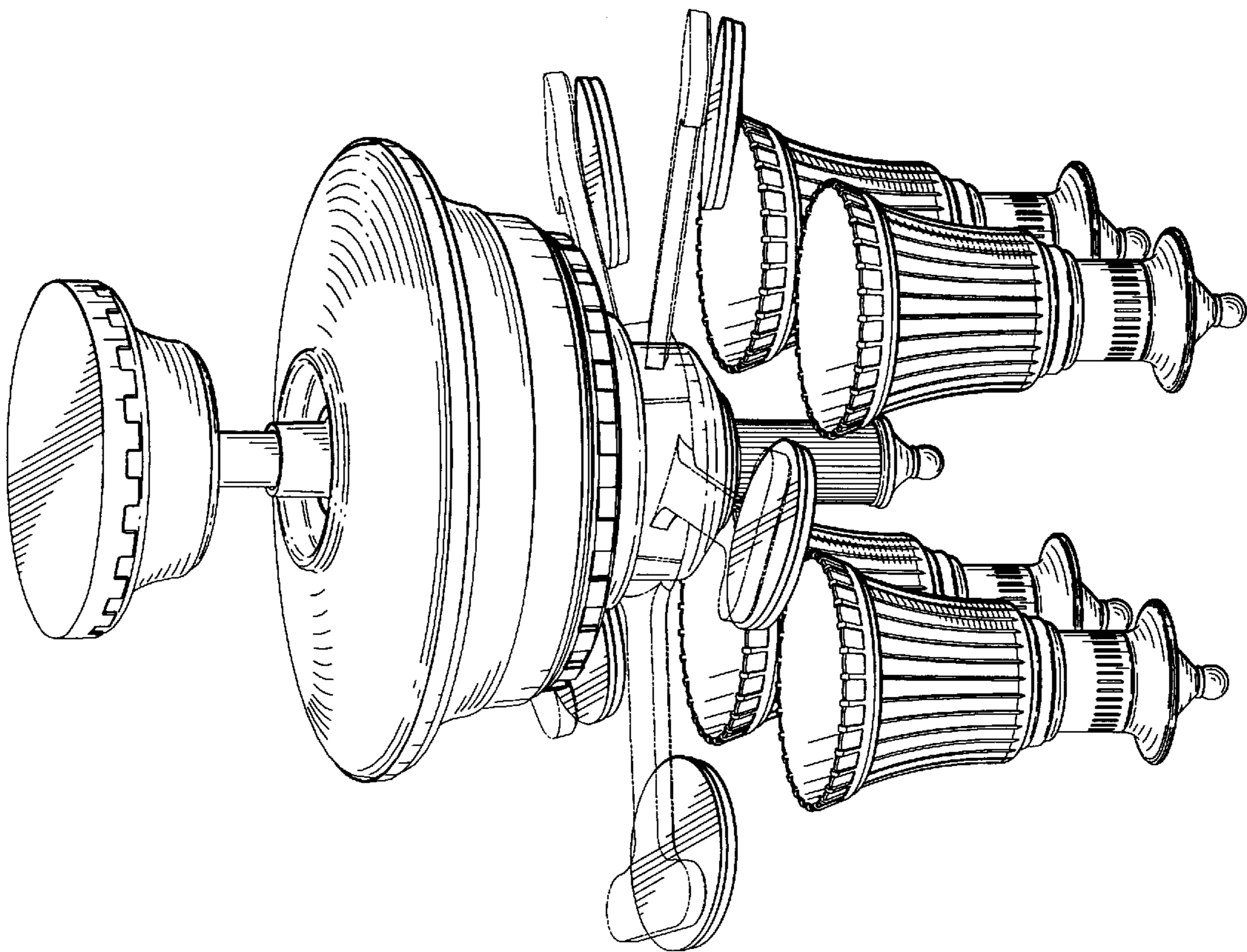


**FIG 7**

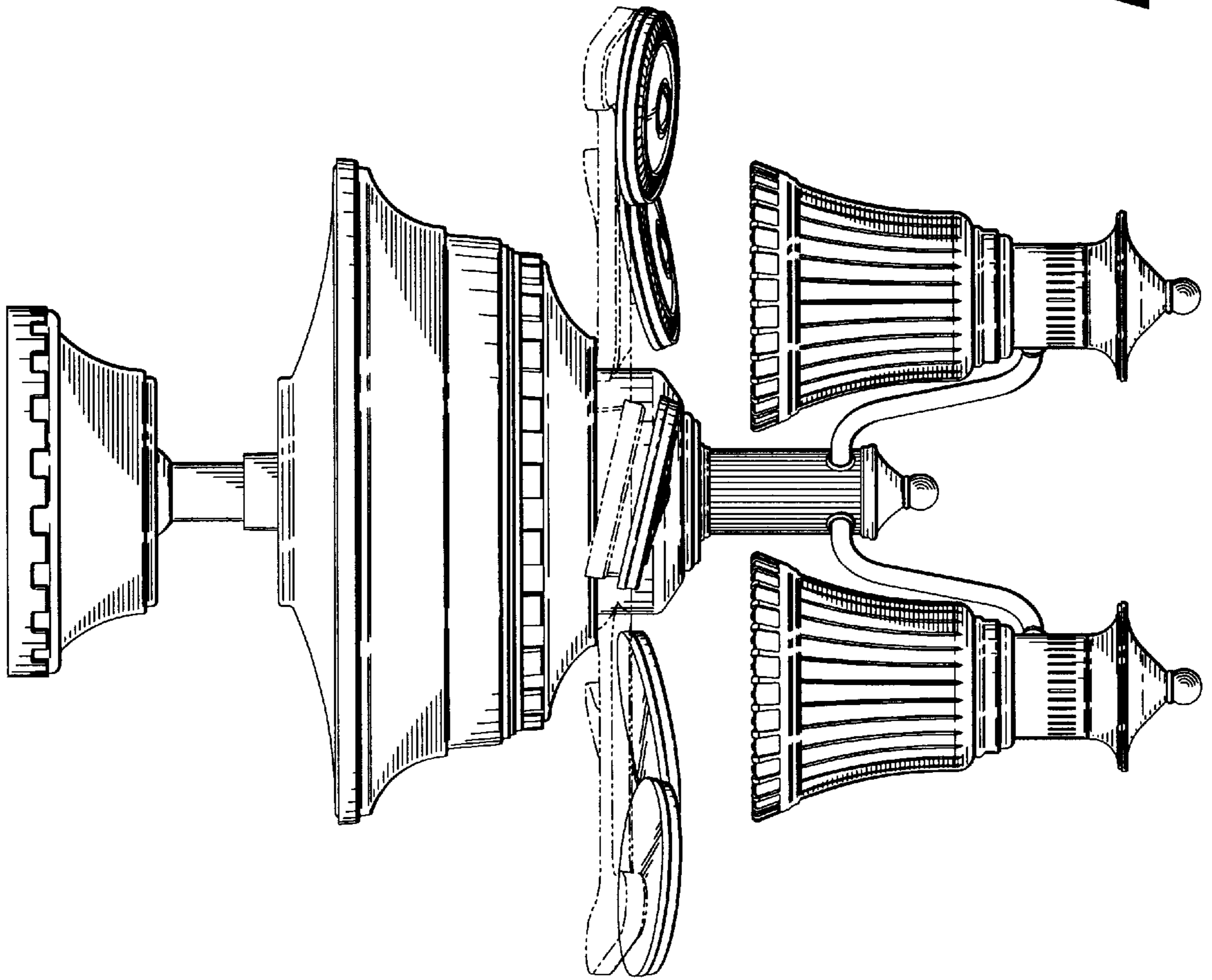




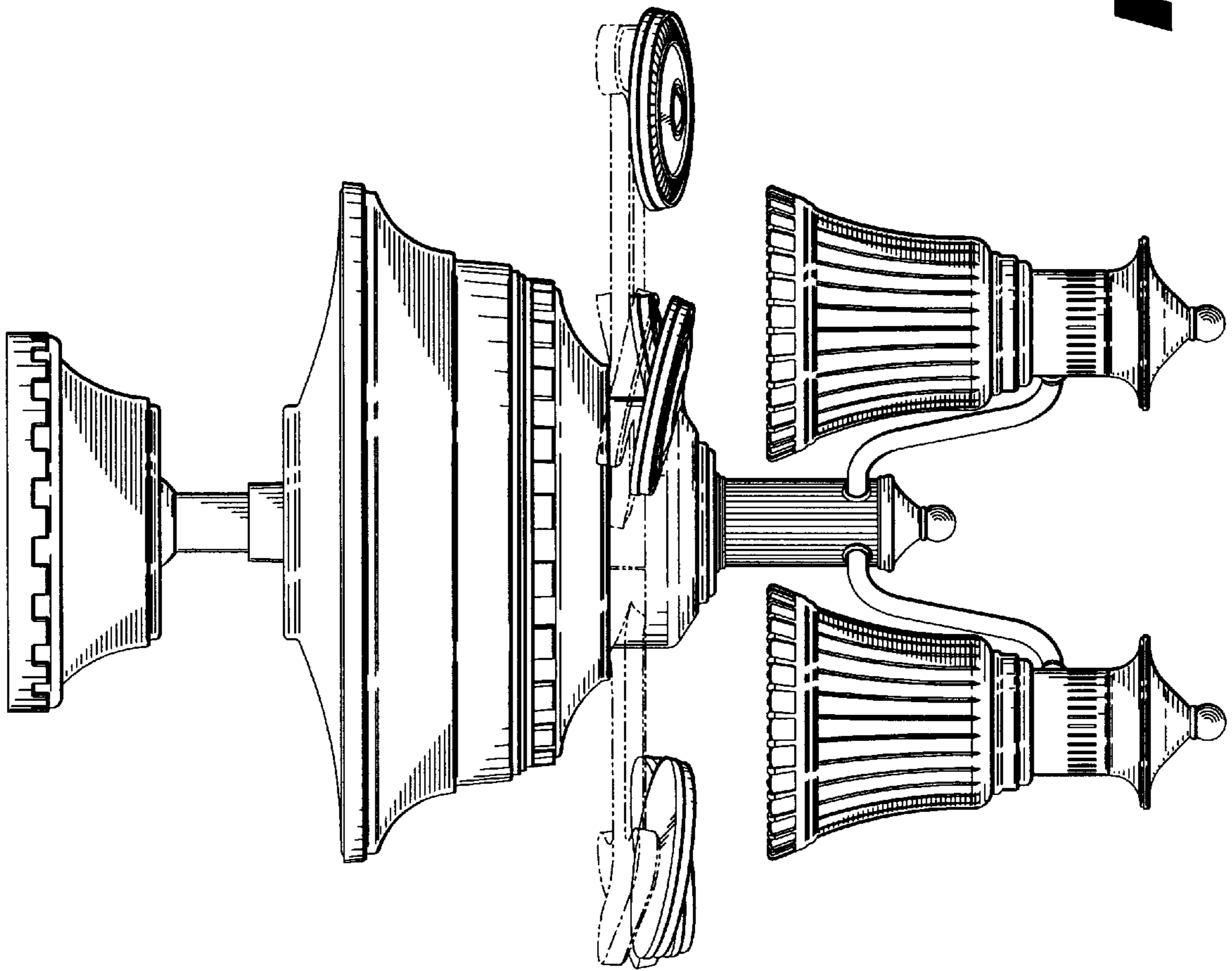
**FIG 8**



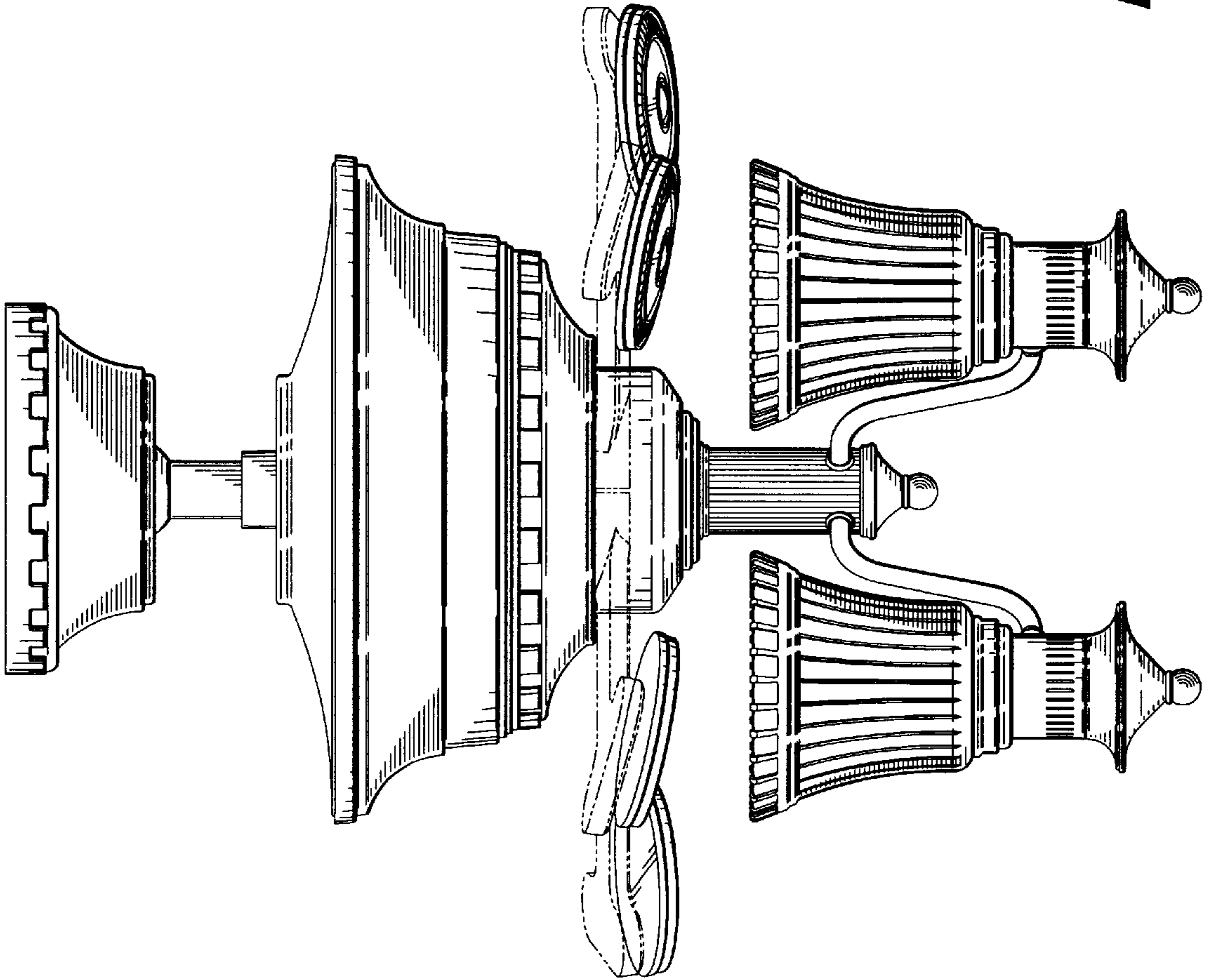
**FIG 9**



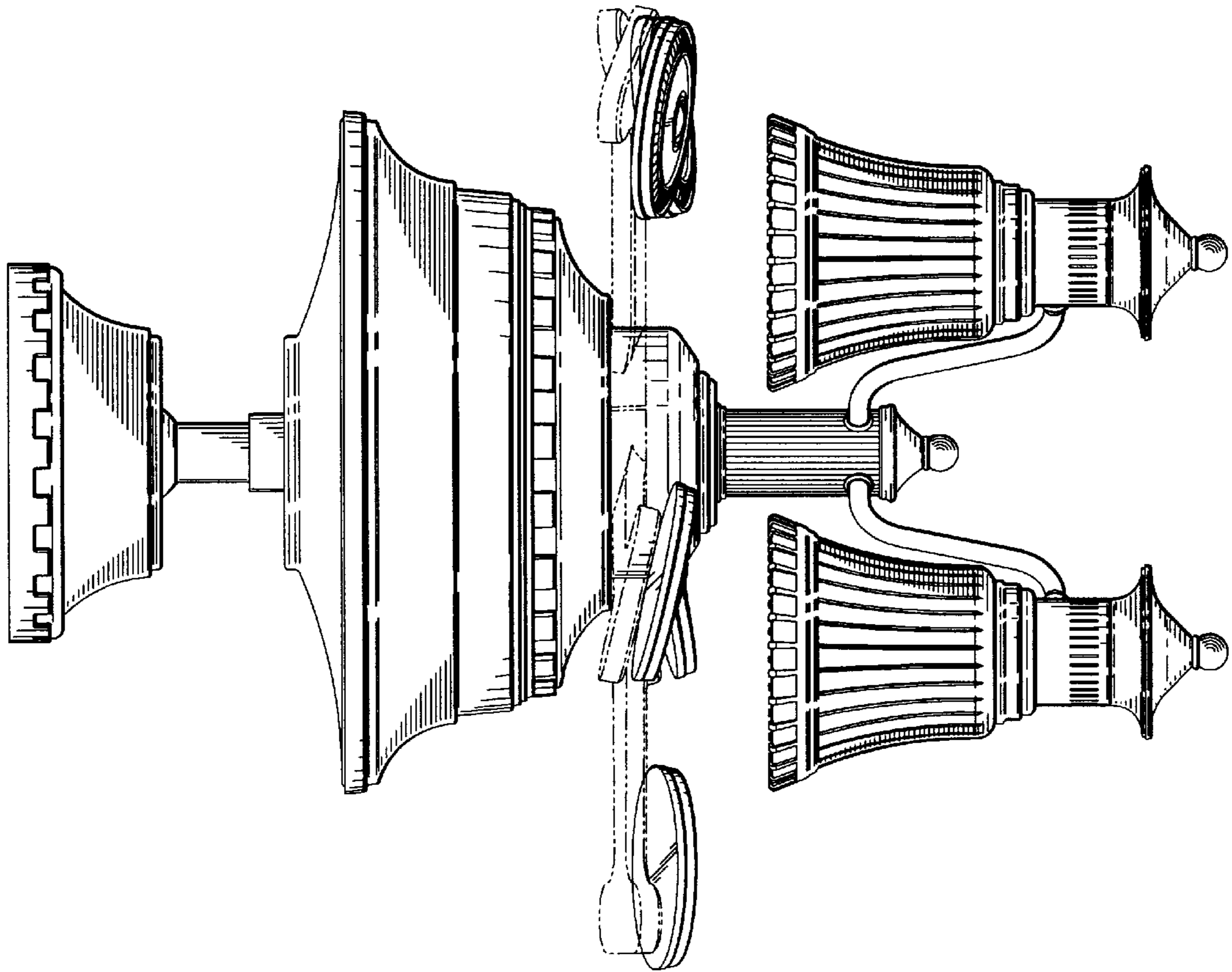
**FIG 10**



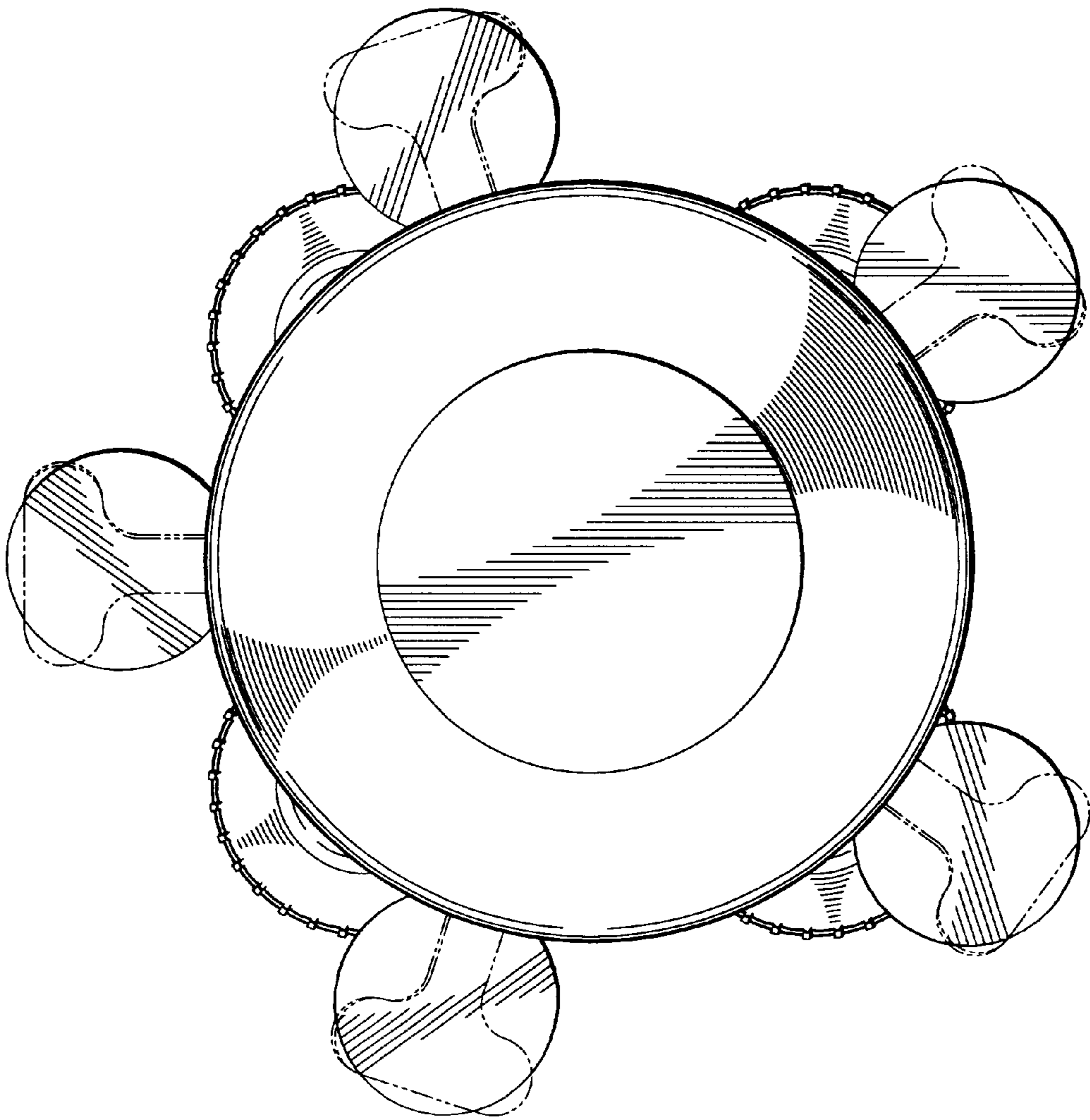
**FIG 11**



**FIG 12**



**FIG 13**



**FIG 14**