



US00D421114S

United States Patent [19]

Lozzio et al.

[11] Patent Number: **Des. 421,114**

[45] Date of Patent: **** Feb. 22, 2000**

[54] **PORTABLE FAN**

[75] Inventors: **Christopher Lozzio**, Medway, Mass.;
Stephen M. Gatchell, Warwick, R.I.;
Michael S. Sullivan, Boston, Mass.;
Jui-Shang Wang, Taipei, Taiwan;
Kenneth David Harris, Jr., Boston,
Mass.; **Clinton E. Cockrill**, Roxbury,
Mass.; **Steffen F. Koury**, Newton,
Mass.

[73] Assignee: **Honeywell Inc.**, Minneapolis, Minn.

[**] Term: **14 Years**

[21] Appl. No.: **29/089,973**

[22] Filed: **Jun. 26, 1998**

[51] **LOC (7) Cl.** **23-04**

[52] **U.S. Cl.** **D23/382; D23/332; D23/370;**
D23/381

[58] **Field of Search** **D23/381, 382,**
D23/370, 413, 412, 411, 332; 416/247 R,
246 R

[56] **References Cited**

U.S. PATENT DOCUMENTS

D. 306,903	3/1990	Shin-Chin	D23/382
D. 309,182	7/1990	Hsu	D23/382
D. 312,124	11/1990	Coup et al.	D23/382
D. 323,708	2/1992	Wang	D23/382
D. 329,089	9/1992	Coup et al.	D23/382

D. 339,859	9/1993	Cheslock	D23/382
D. 344,583	2/1994	Hsu	D23/412
D. 346,019	4/1994	Cheslock et al.	D23/382
D. 376,005	11/1996	Litvin	D23/382
D. 405,520	2/1999	Birdsell et al.	D23/382

OTHER PUBLICATIONS

1997 Honeywell catalog sheet for HT-800 fan.

Primary Examiner—Lisa Lichtenstein
Attorney, Agent, or Firm—Robert B. Leonard

[57] **CLAIM**

The ornamental design for a portable fan, as shown and described.

DESCRIPTION

FIG. 1 is a front perspective view of a portable fan showing our design.

FIG. 2 is a front elevational view of the portable fan shown in FIG. 1.

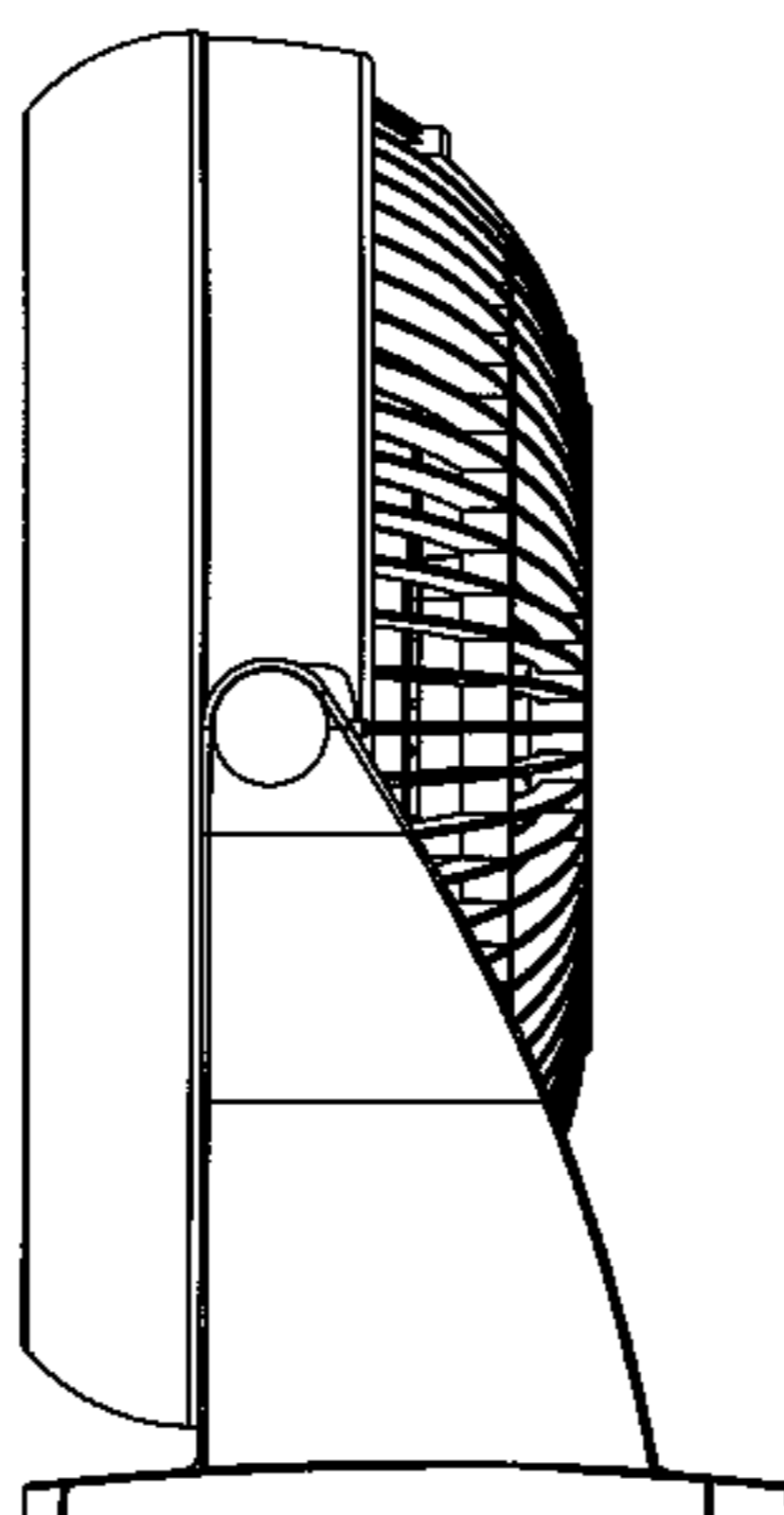
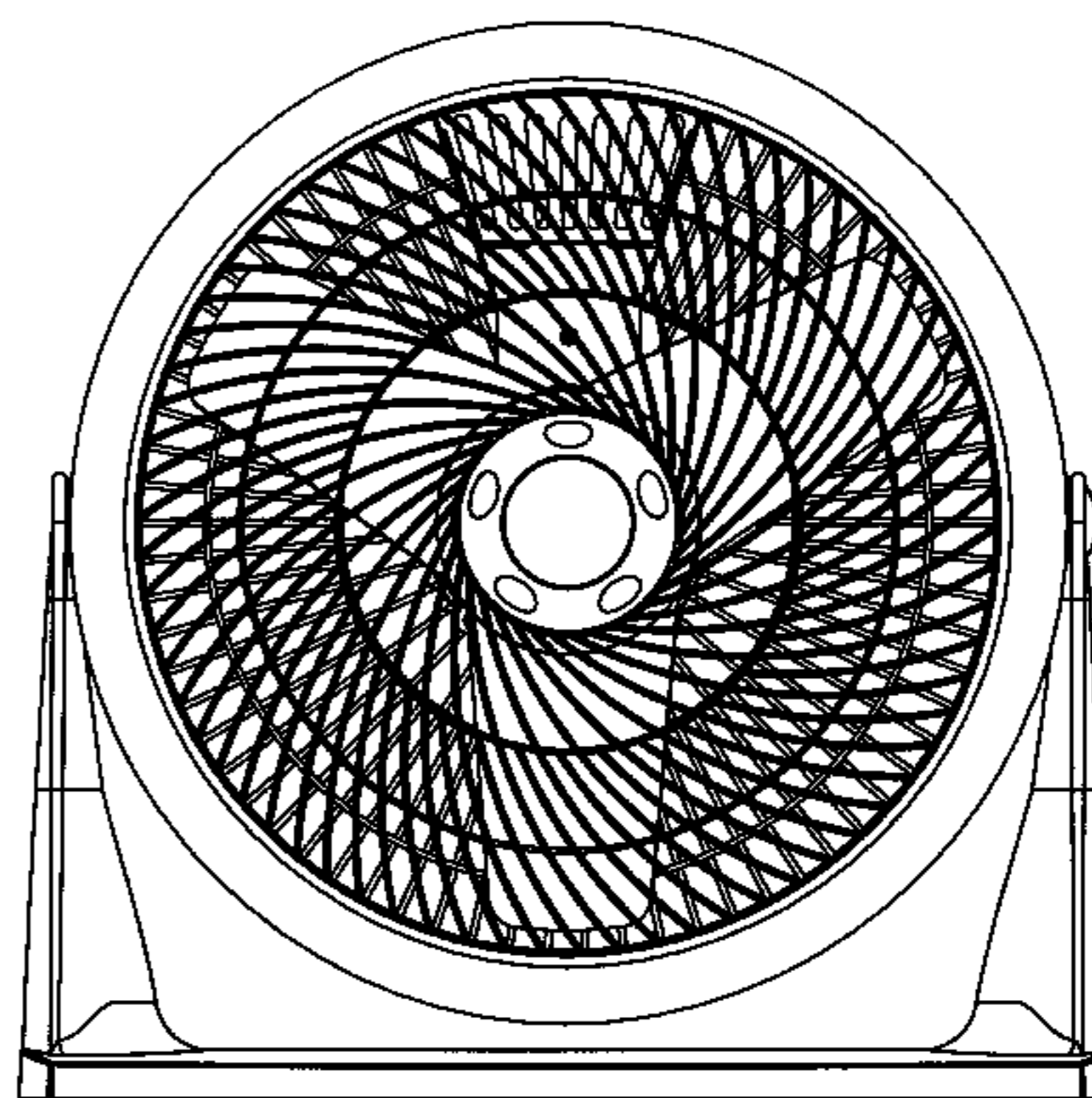
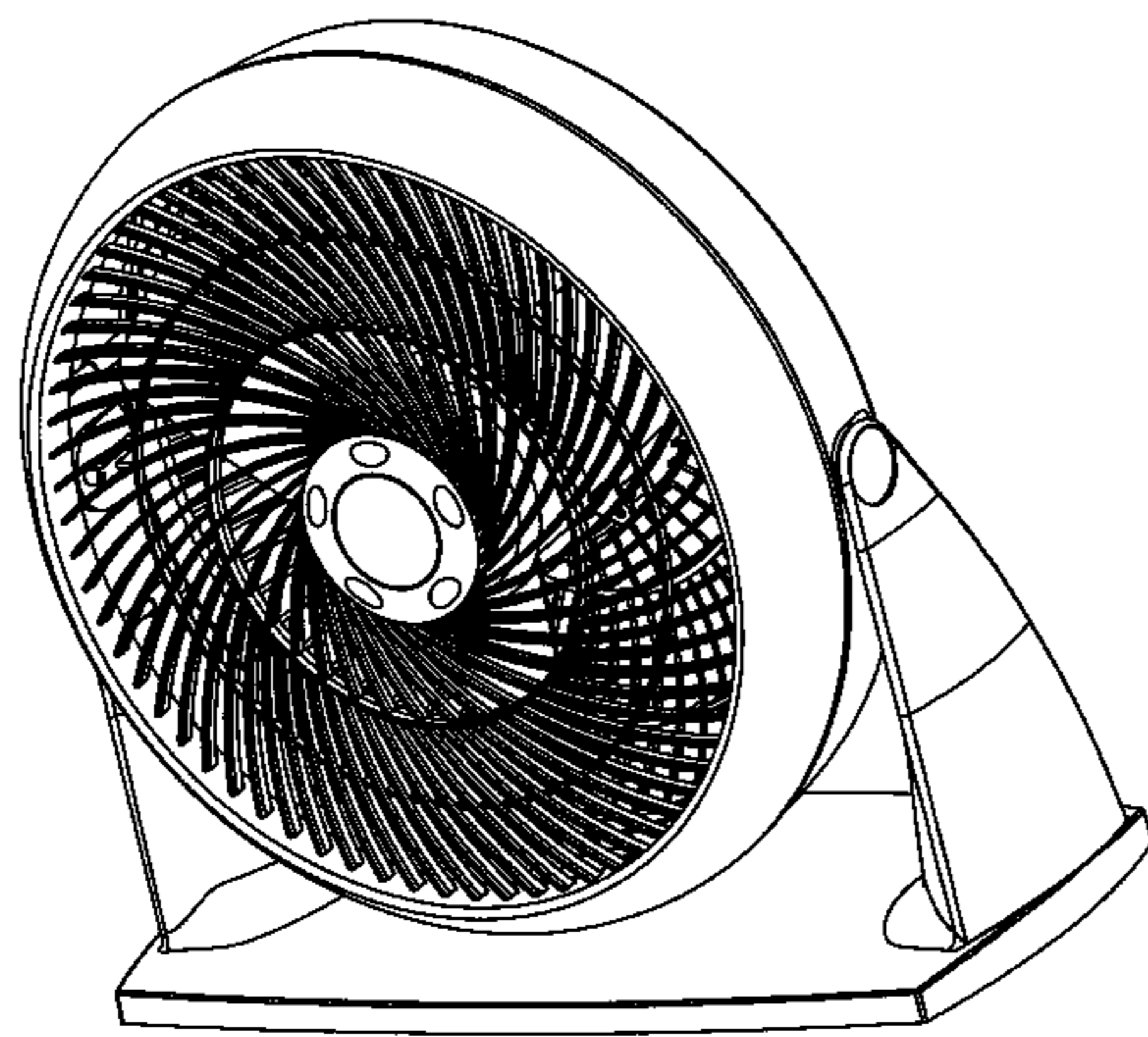
FIG. 3 is a rear elevational view of the portable fan shown in FIG. 1.

FIG. 4 is a left side elevational view of the portable fan shown in FIG. 1, the right side being a mirror image of the left side view.

FIG. 5 is a greatly enlarged top plan view of the portable fan shown FIG. 1; and,

FIG. 6 is an enlarged bottom plan view of the portable fan shown in FIG. 1.

1 Claim, 6 Drawing Sheets



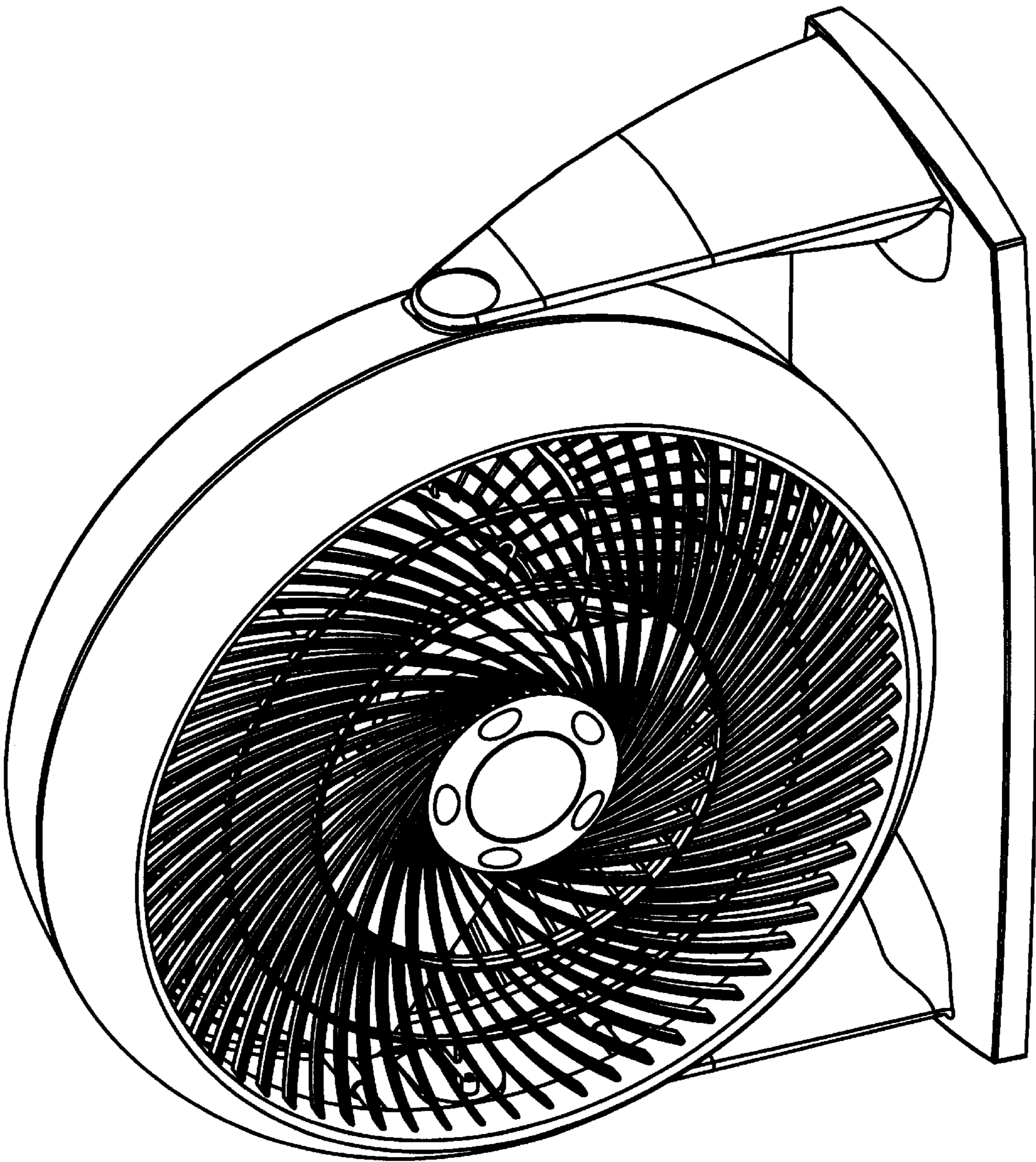


FIGURE 1

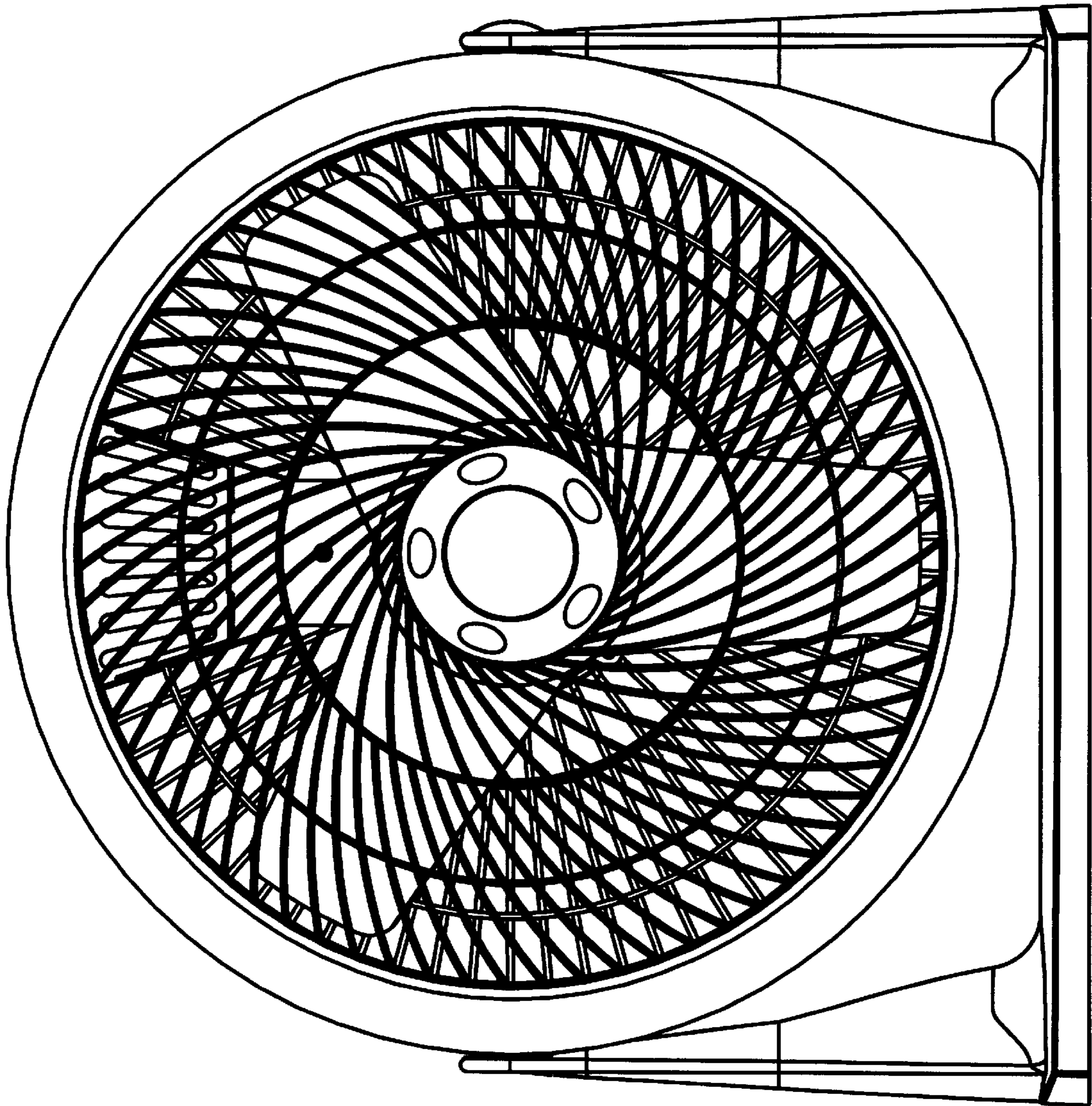


FIGURE 2

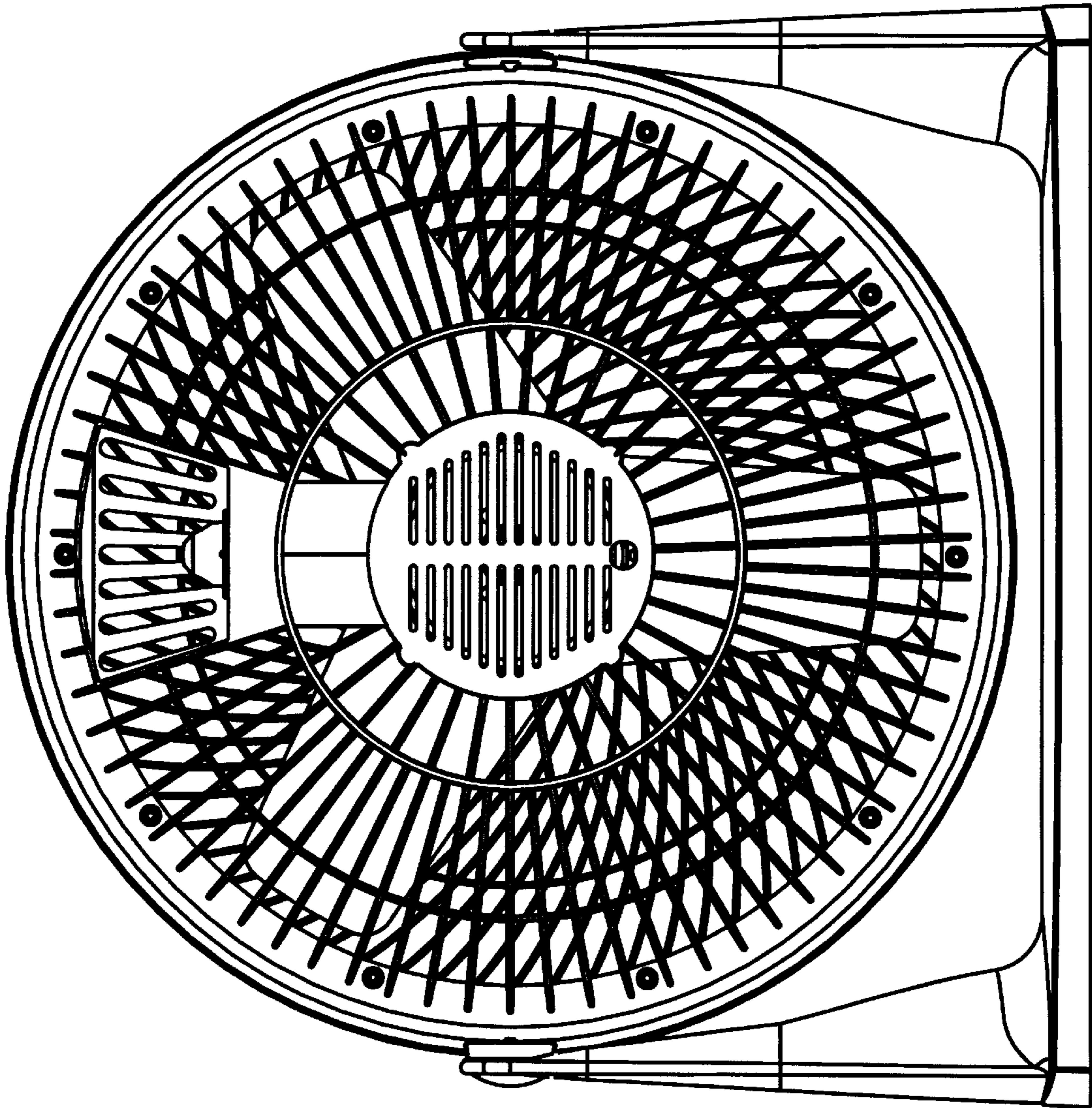
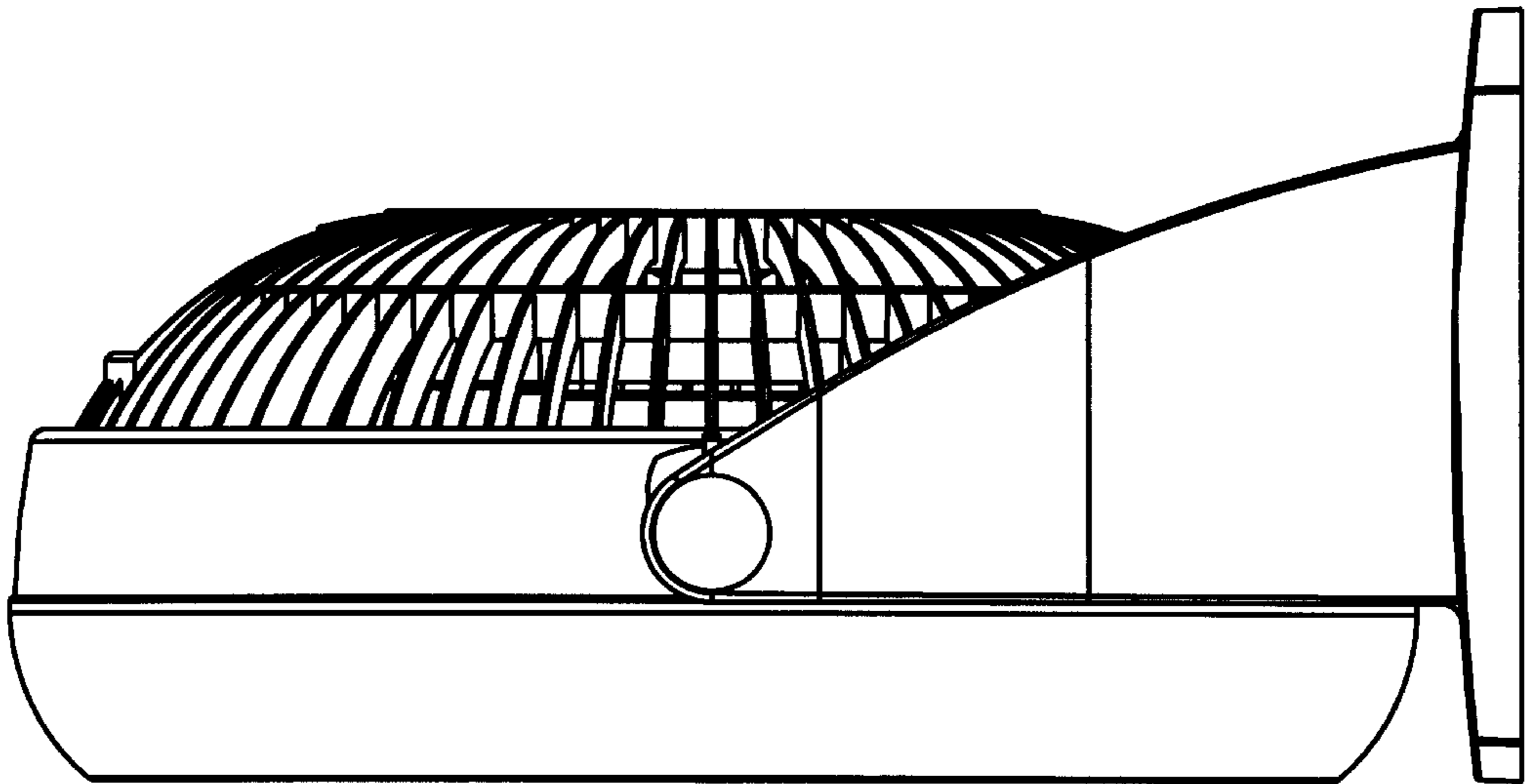


FIGURE 3

FIGURE 4



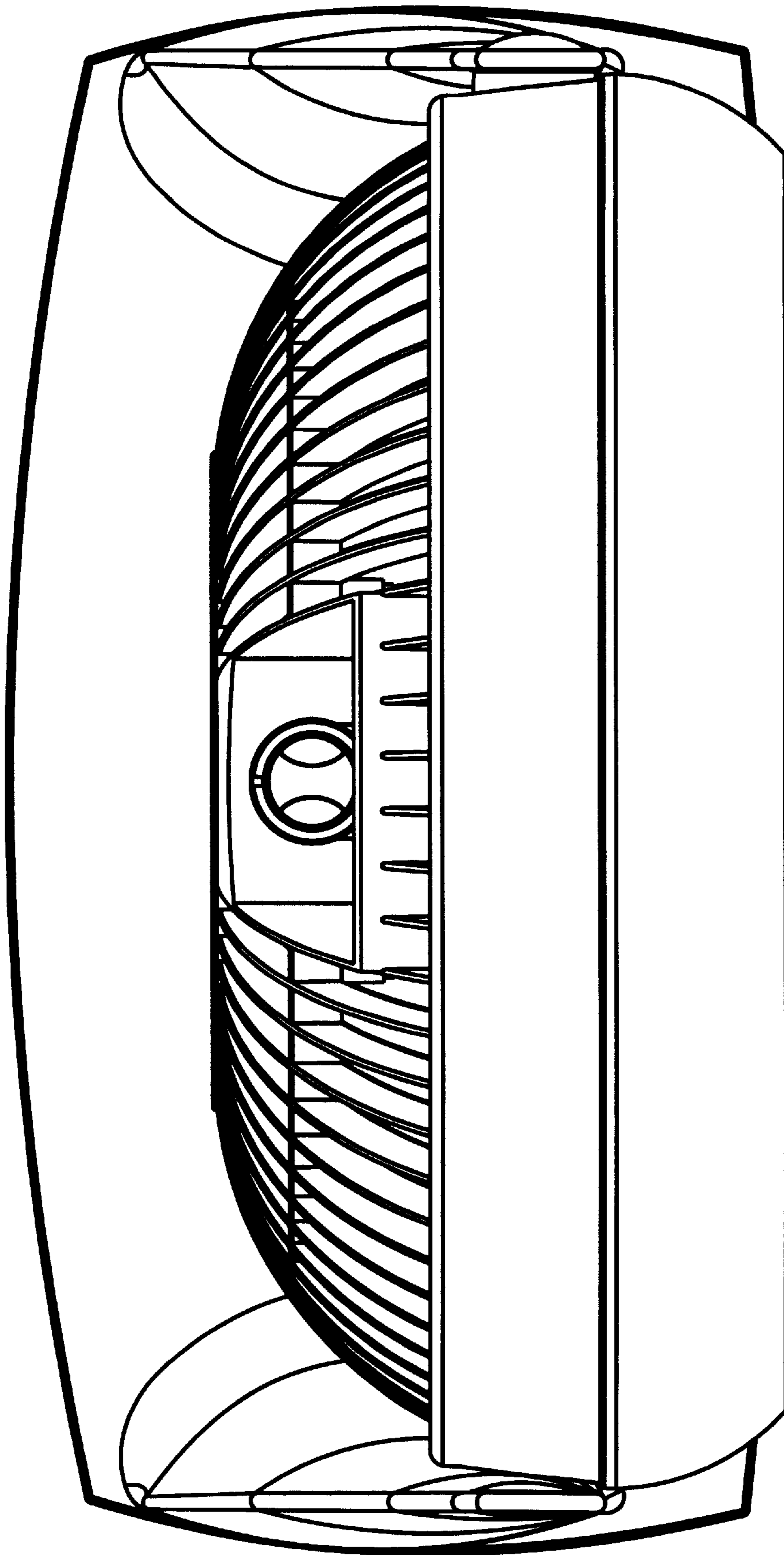


FIGURE 5

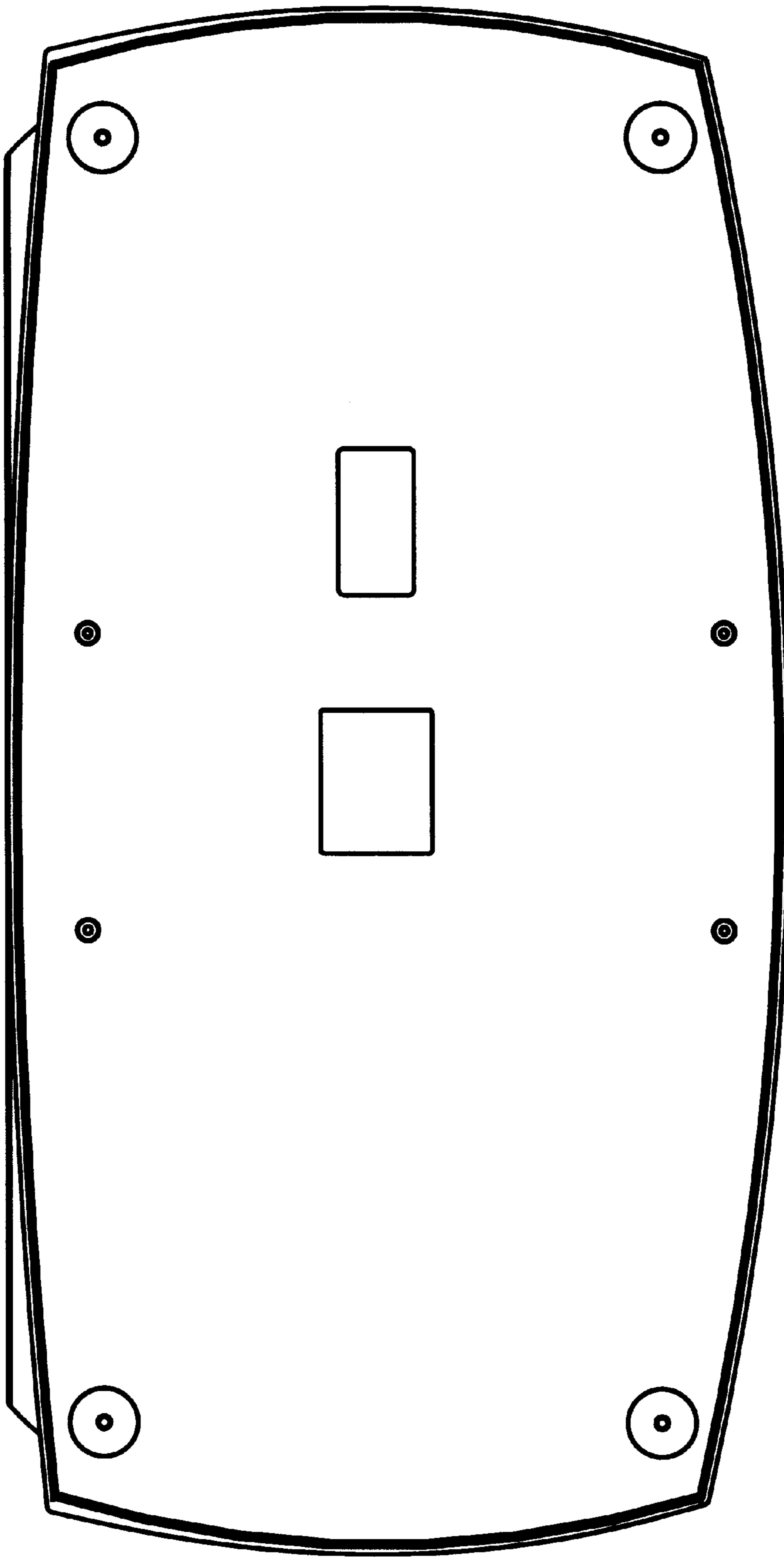


FIGURE 6