



US00D421110S

United States Patent [19]

Coulonvaux et al.

[11] Patent Number: **Des. 421,110**

[45] Date of Patent: **** Feb. 22, 2000**

[54] **BODY MEMBER FOR A HOUSING FOR AN AIR CLEANER**

[75] Inventors: **Paul R. Coulonvaux**, Brussels; **Johan G. Dewit**, Hamme-Mille, both of Belgium; **Jeffrey J. Ivarson**, San Rafael, Calif.

[73] Assignee: **Donaldson Company, Inc.**, Minneapolis, Minn.

[**] Term: **14 Years**

[21] Appl. No.: **29/097,583**

[22] Filed: **Dec. 10, 1998**

Related U.S. Application Data

[63] Continuation of application No. 29/076,667, Sep. 12, 1997, Pat. No. Des. 407,475.

[51] **LOC (7) Cl.** **23-04**

[52] **U.S. Cl.** **D23/364; D23/355**

[58] **Field of Search** **D23/355, 364, D23/365; 210/304; 55/320, 337, 459.1, 359**

[56] References Cited

U.S. PATENT DOCUMENTS

- D. 377,523 1/1997 Marvin et al. .
- D. 383,202 9/1997 Meister et al. .
- 4,491,460 1/1985 Tokar .
- 5,137,557 8/1992 Behrendt et al. .
- 5,545,241 8/1996 Vanderauwera et al. .
- 5,547,480 8/1996 Coulonvaux .
- 5,755,842 5/1998 Patel et al. .

FOREIGN PATENT DOCUMENTS

93/9129 8/1994 South Africa .

OTHER PUBLICATIONS

Declaration of Stan Koehler with Exhibits A-E.

Primary Examiner—Lisa Lichtenstein
Attorney, Agent, or Firm—Merchant & Gould P.C.

[57] CLAIM

The ornamental design for a body member for a housing for an air cleaner, as shown and described.

DESCRIPTION

FIG. 1 is a front side elevational view of a body member for a housing for an air cleaner, according to the present invention, the broken-line showing of environmental structure being for illustrative purposes only and forming no part of the claimed design.

FIG. 2 is a back side elevational view of the body member of FIG. 1, the broken-line showing of environmental structure being for illustrative purposes only and forming no part of the claimed design.

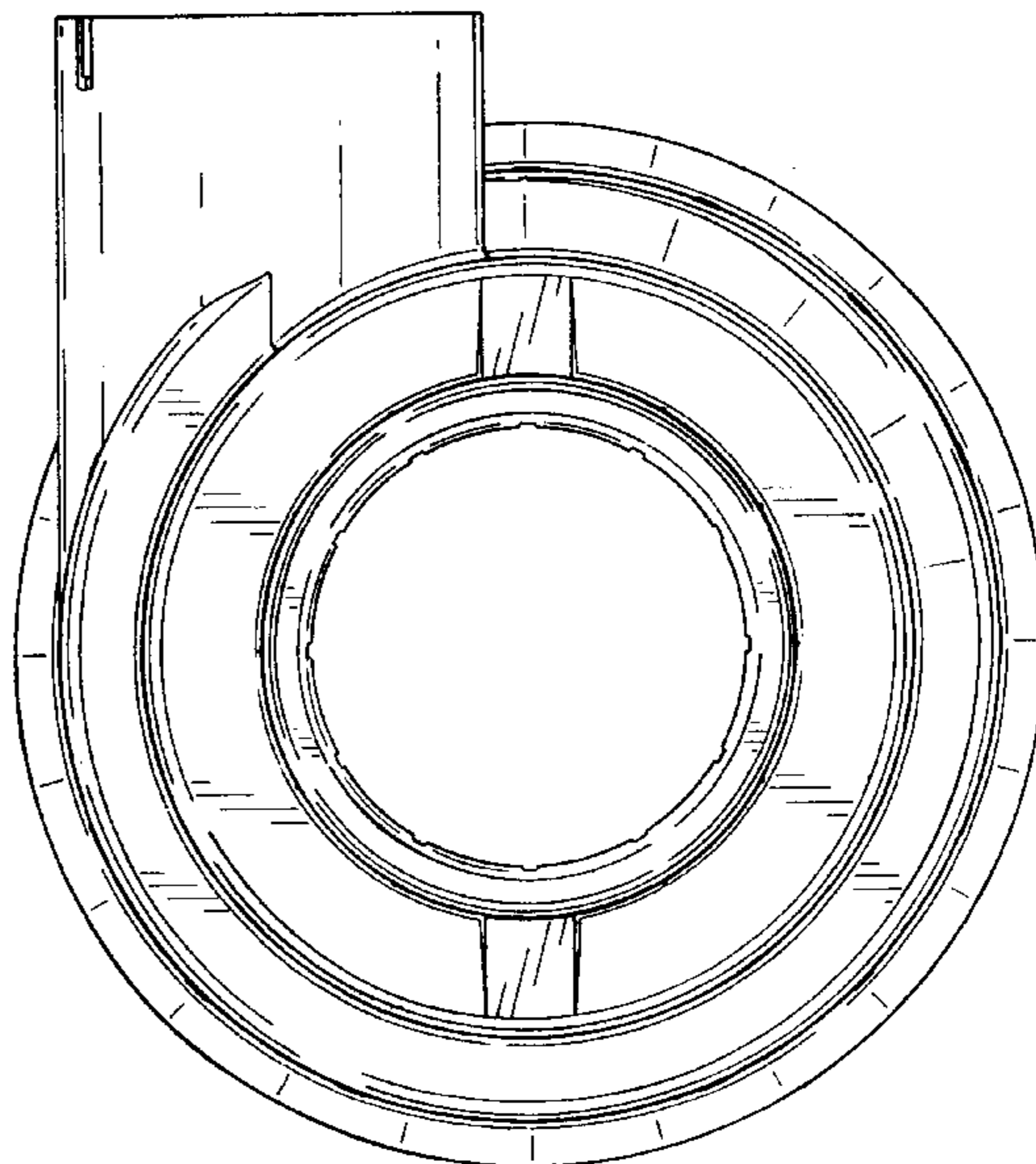
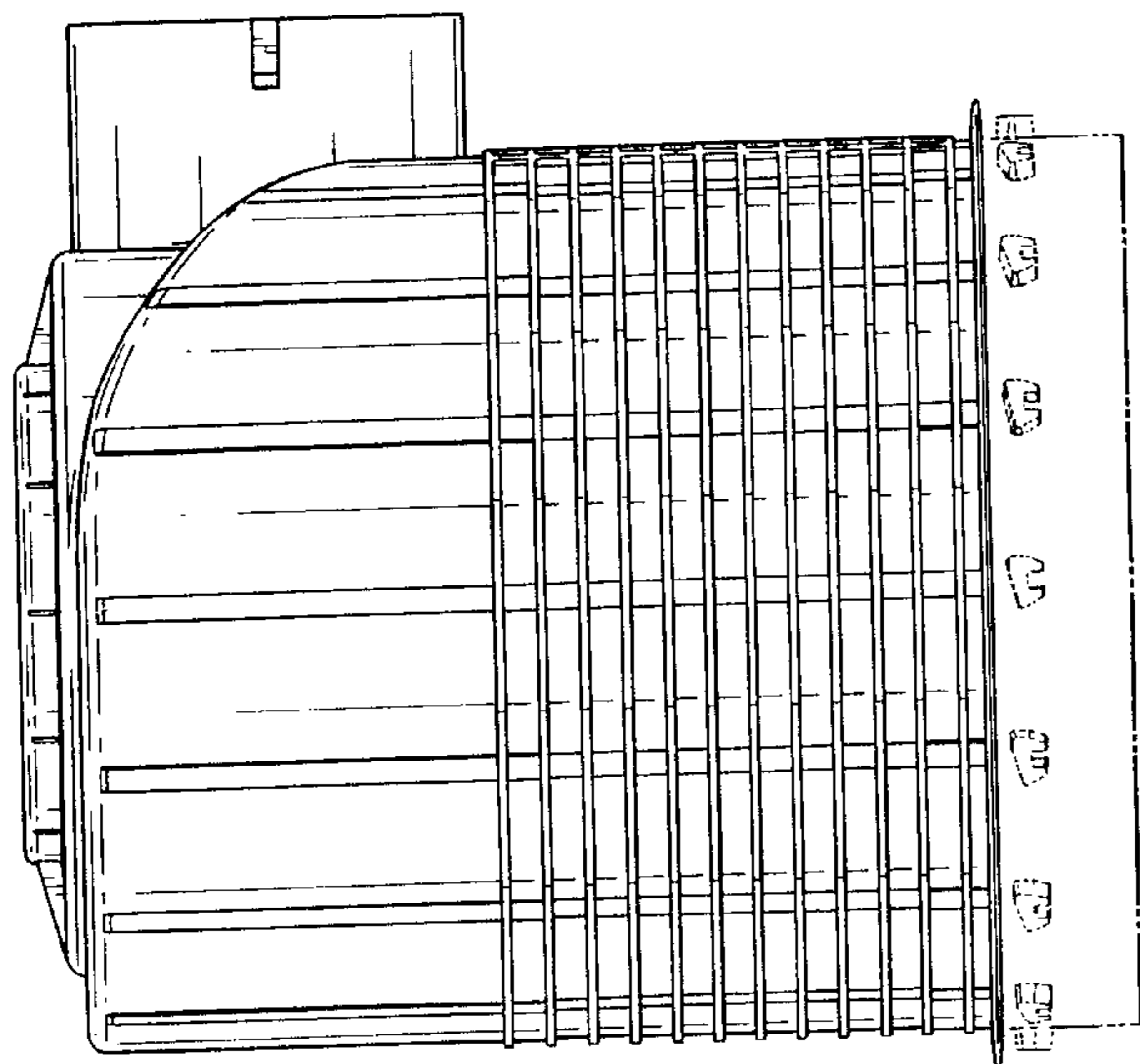
FIG. 3 is a bottom plan view of the body member of FIG. 1, the broken-line showing of environmental structure being for illustrative purposes only and forming no part of the claimed design.

FIG. 4 is a top plan view of the body member of FIG. 1, the broken-line showing of environmental structure being for illustrative purposes only and forming no part of the claimed design; and,

FIG. 5 is a left side elevational view of the body member of FIG. 1.

The right side elevational view is not depicted, as it is plain and unornamented.

1 Claim, 5 Drawing Sheets



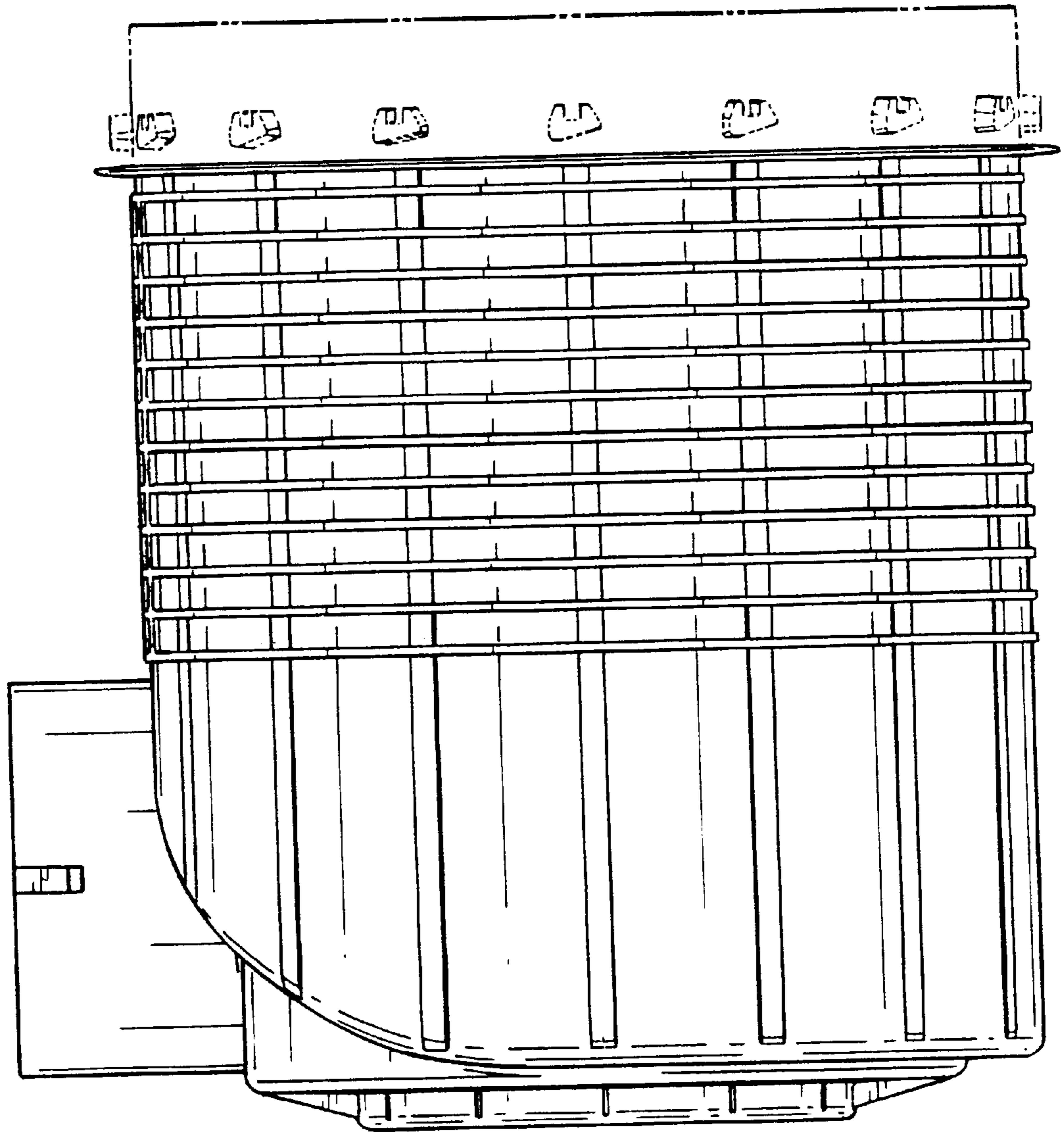


FIG. 1

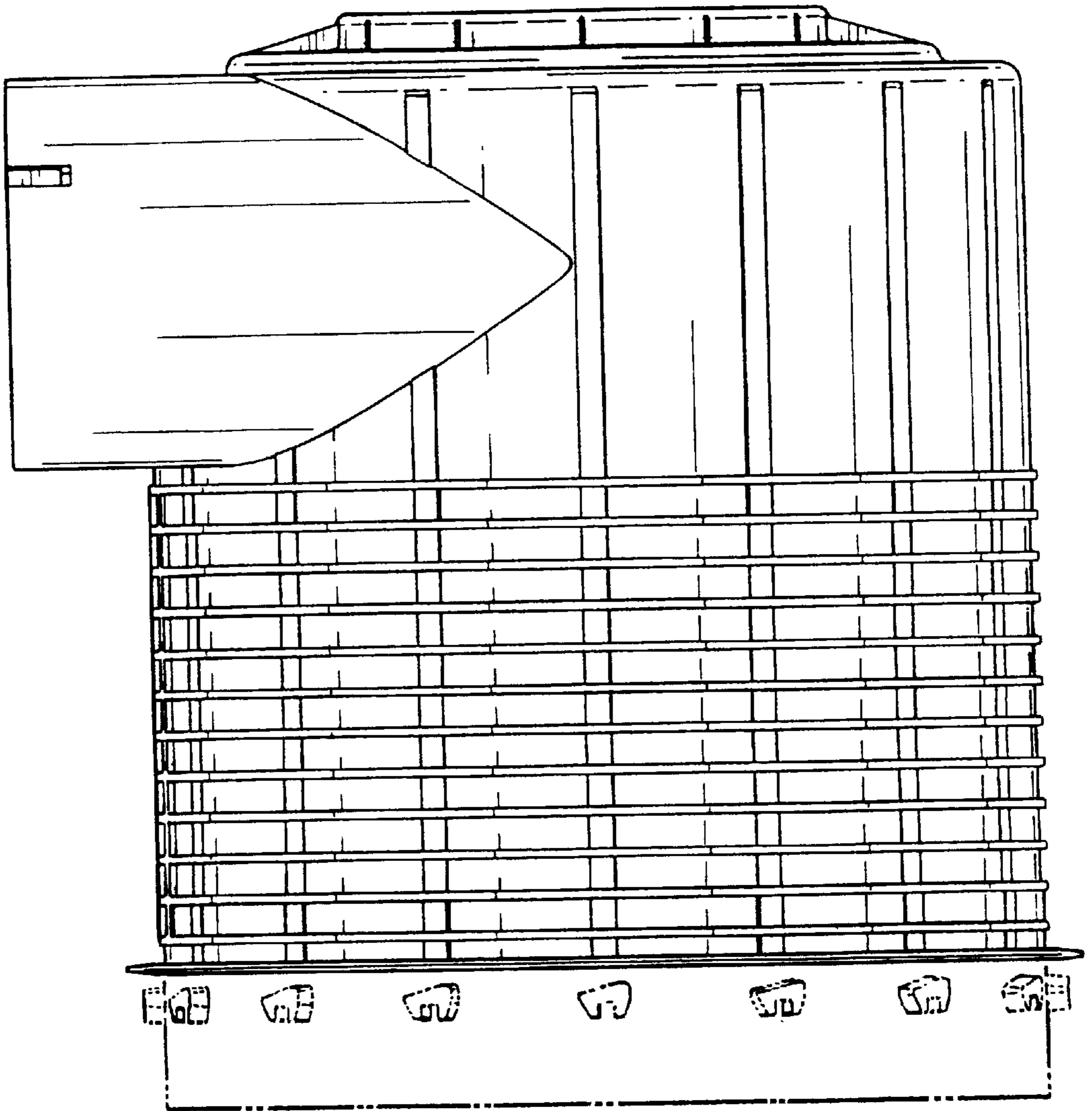


FIG. 2

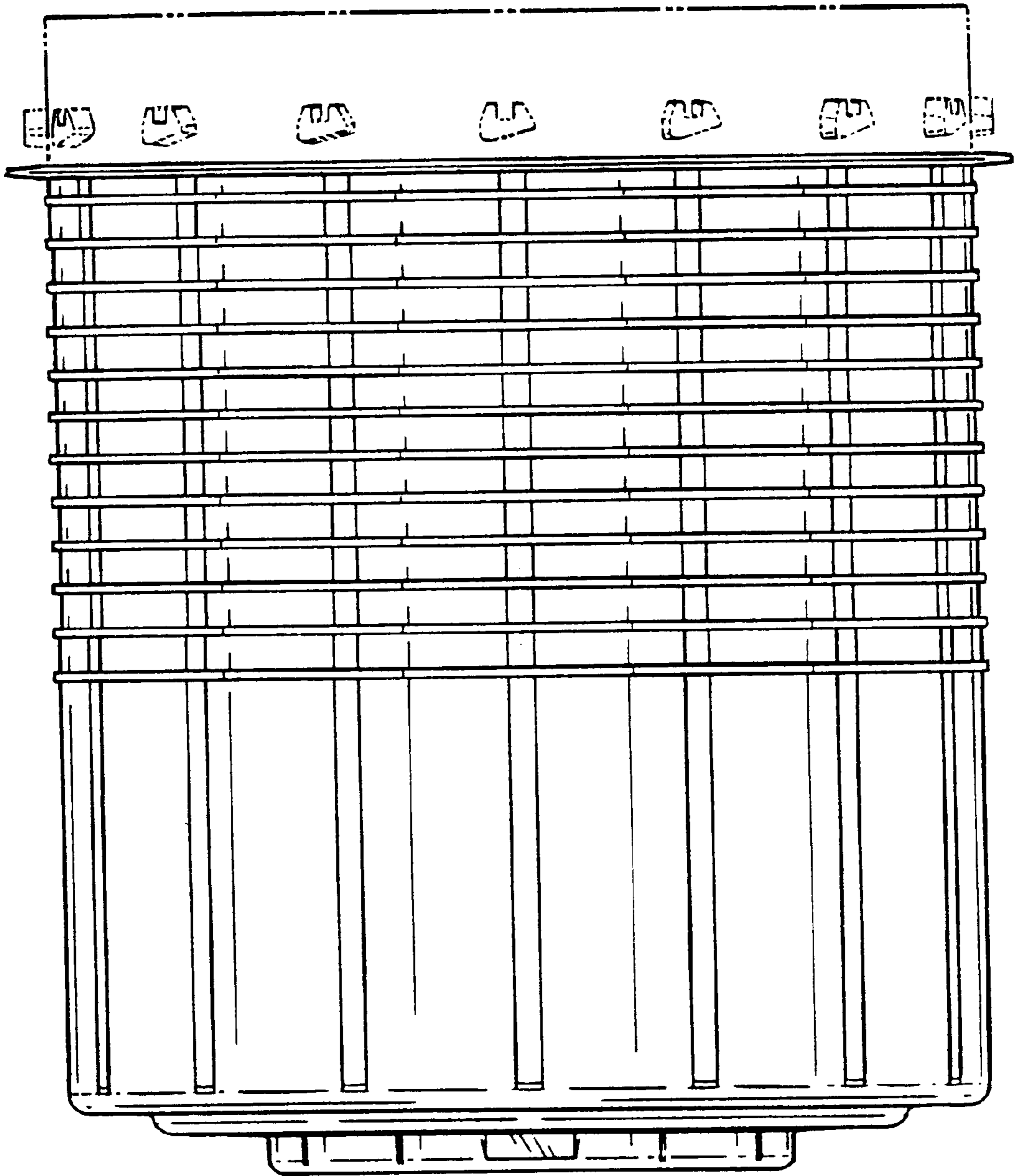


FIG. 3

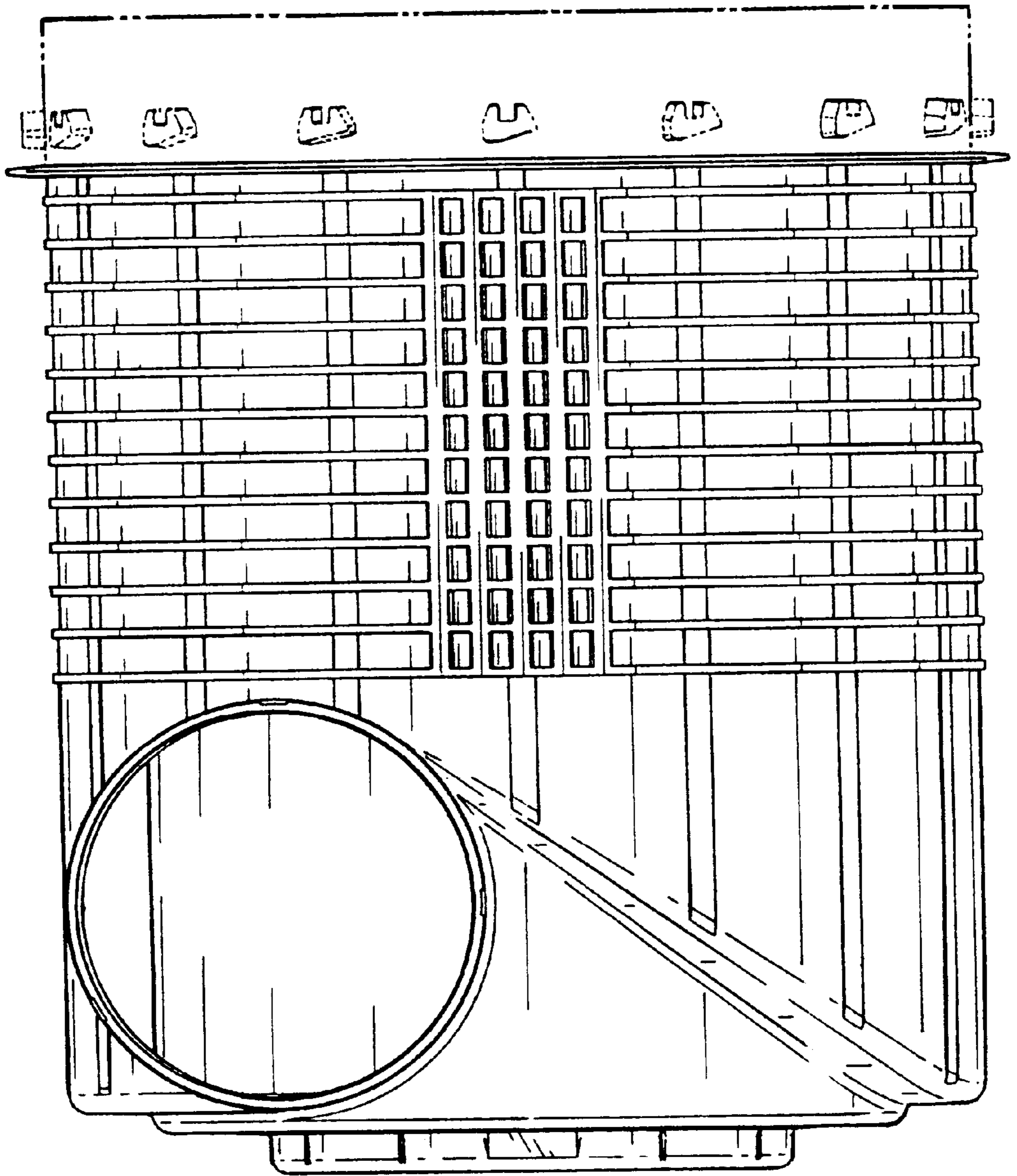


FIG. 4

FIG. 5

