



US00D421109S

United States Patent [19]
Wolfe

[11] **Patent Number: Des. 421,109**

[45] **Date of Patent: ** Feb. 22, 2000**

[54] **HUMIDIFIER**

[75] Inventor: **Robert E. Wolfe**, Holliston, Mass.

[73] Assignee: **Holmes Products, Corp.**, Milford, Mass.

[**] Term: **14 Years**

[21] Appl. No.: **29/094,386**

[22] Filed: **Oct. 1, 1998**

[51] **LOC (7) Cl.** **23-04**

[52] **U.S. Cl.** **D23/356; D23/358; D23/360**

[58] **Field of Search** **D23/356-363; 261/DIG. 65, 91; D24/110; 422/120**

[56] **References Cited**

U.S. PATENT DOCUMENTS

D. 374,923 10/1996 Moore .

Primary Examiner—Lisa Lichtenstein
Attorney, Agent, or Firm—Hoffmann & Baron, LLP;
Francis E. Marino

[57] **CLAIM**

The ornamental design for a humidifier, as shown and described.

DESCRIPTION

FIG. 1 is a top perspective view of a humidifier showing my new design;

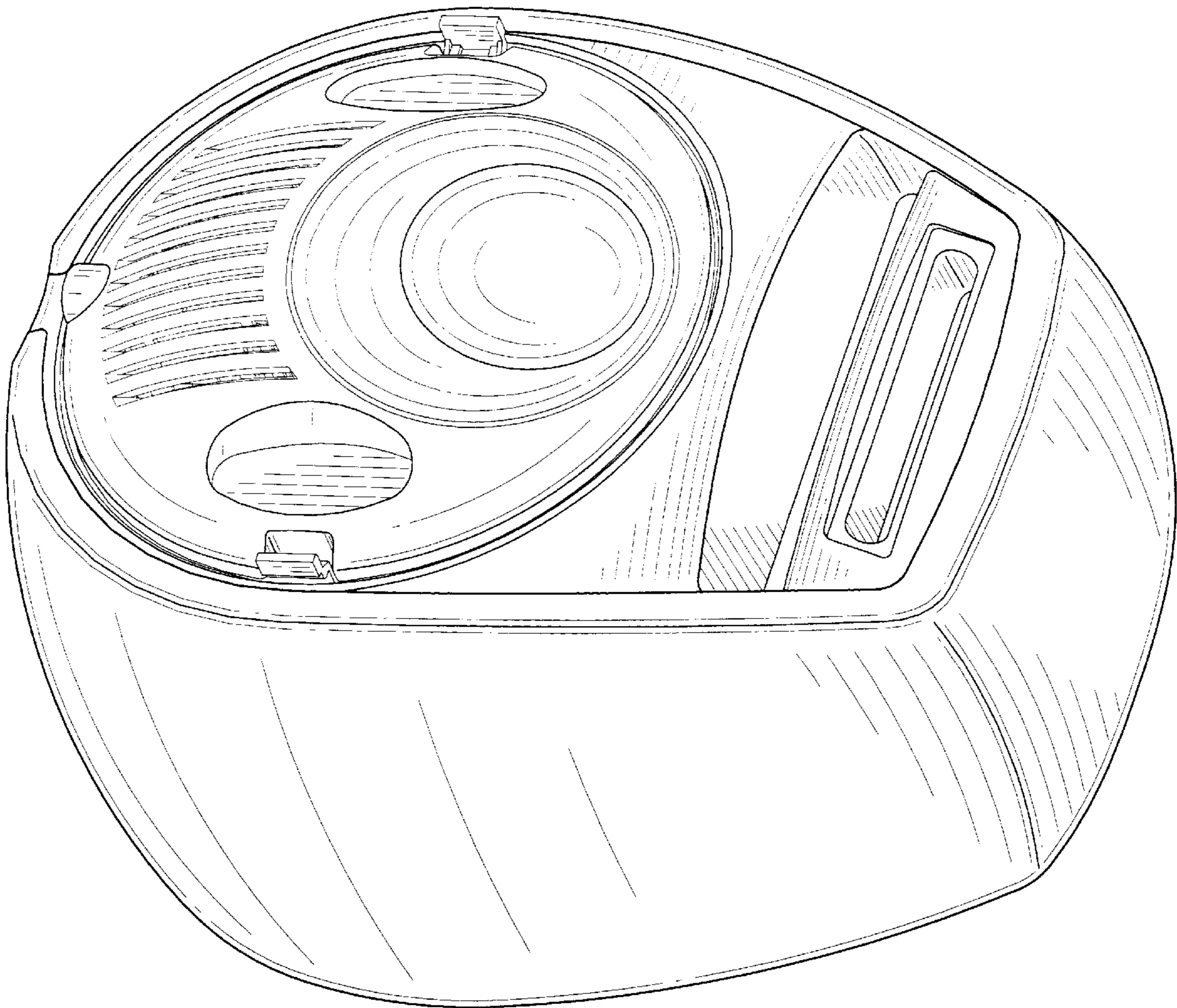
FIG. 2 is a front side elevation view thereof;

FIG. 3 is a top side elevation view thereof;

FIG. 4 is a back side elevation view thereof; and,

FIG. 5 is a left side elevation view thereof, the right side being a mirror image.

1 Claim, 5 Drawing Sheets



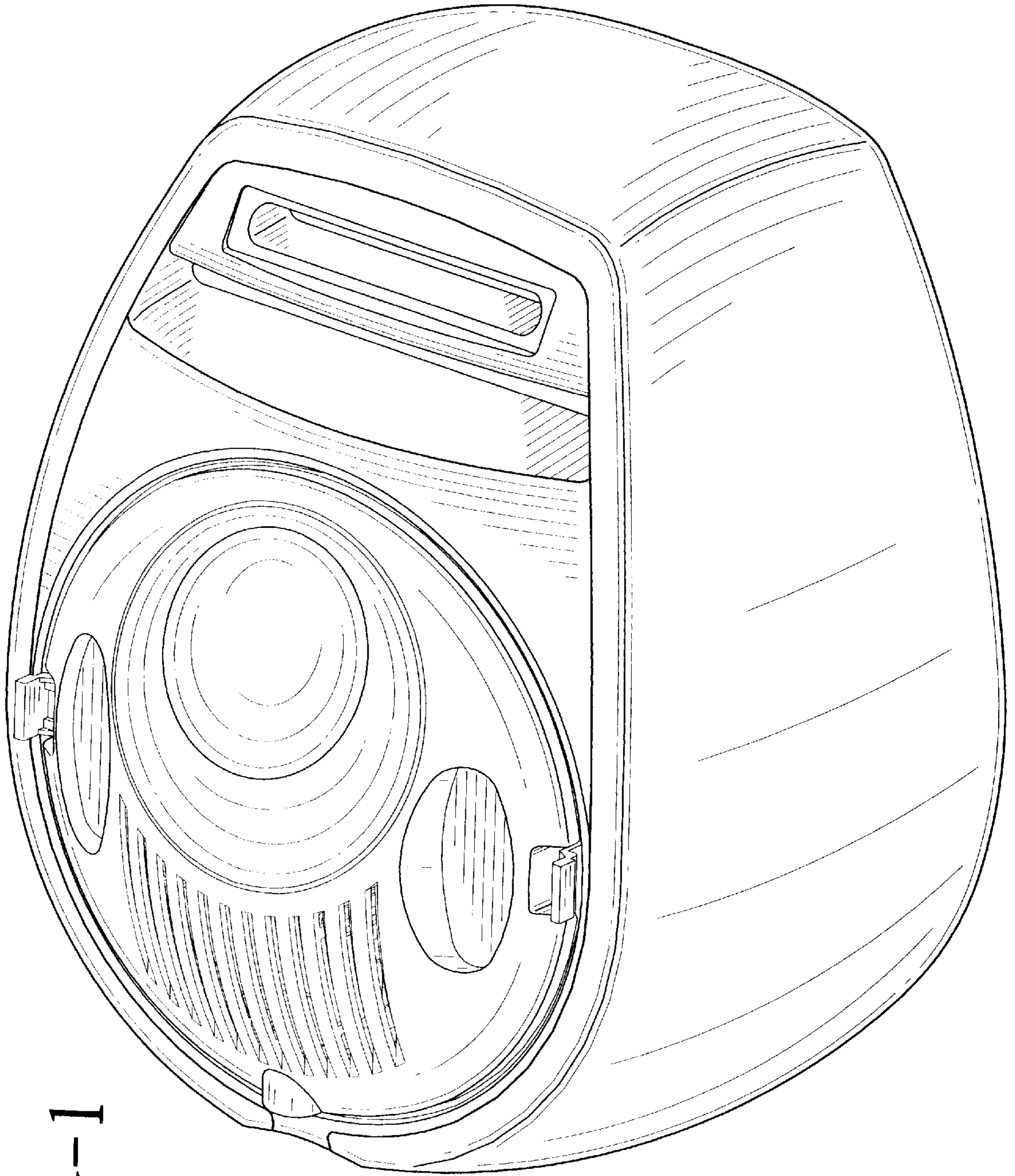


FIG-1

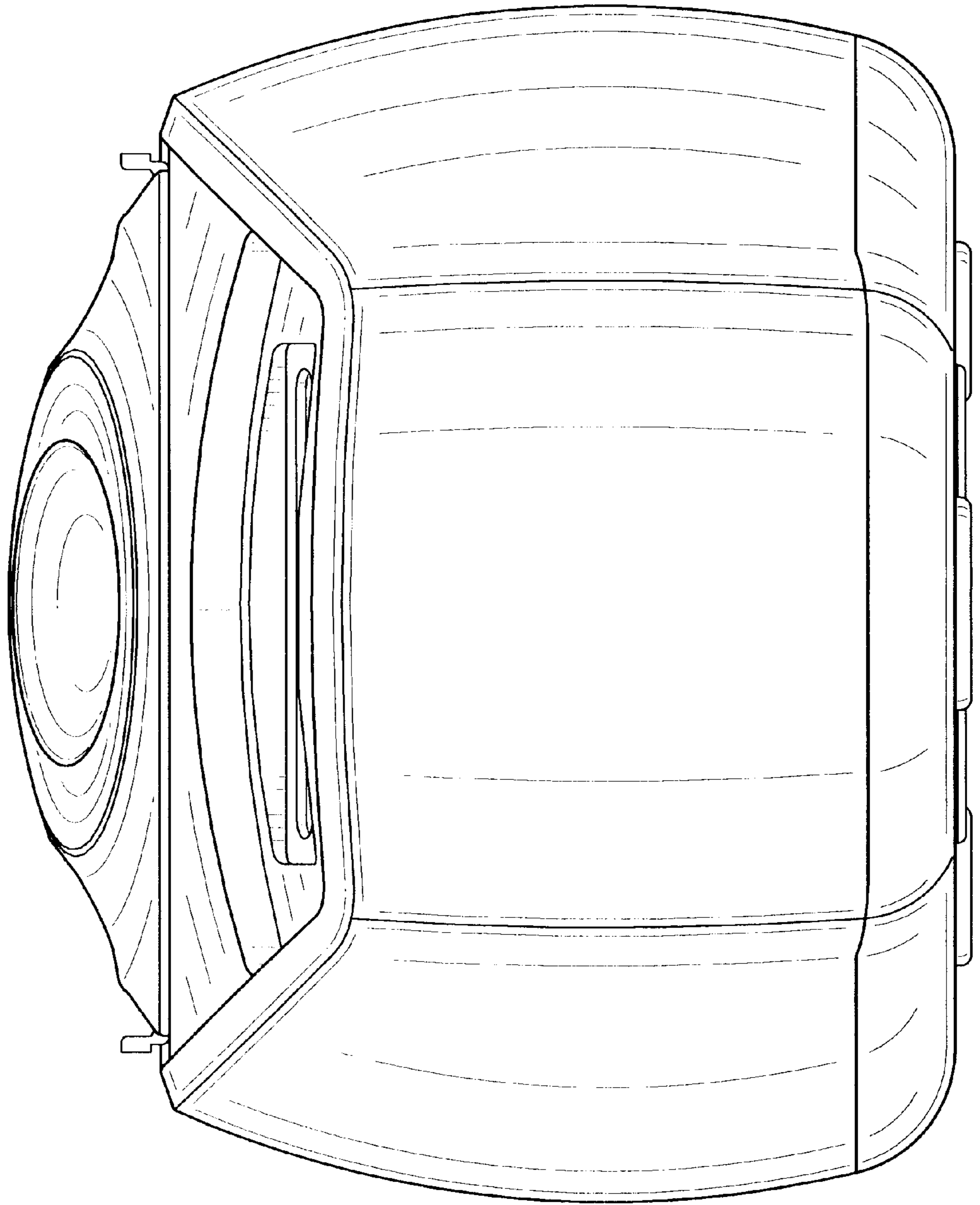


FIG-2

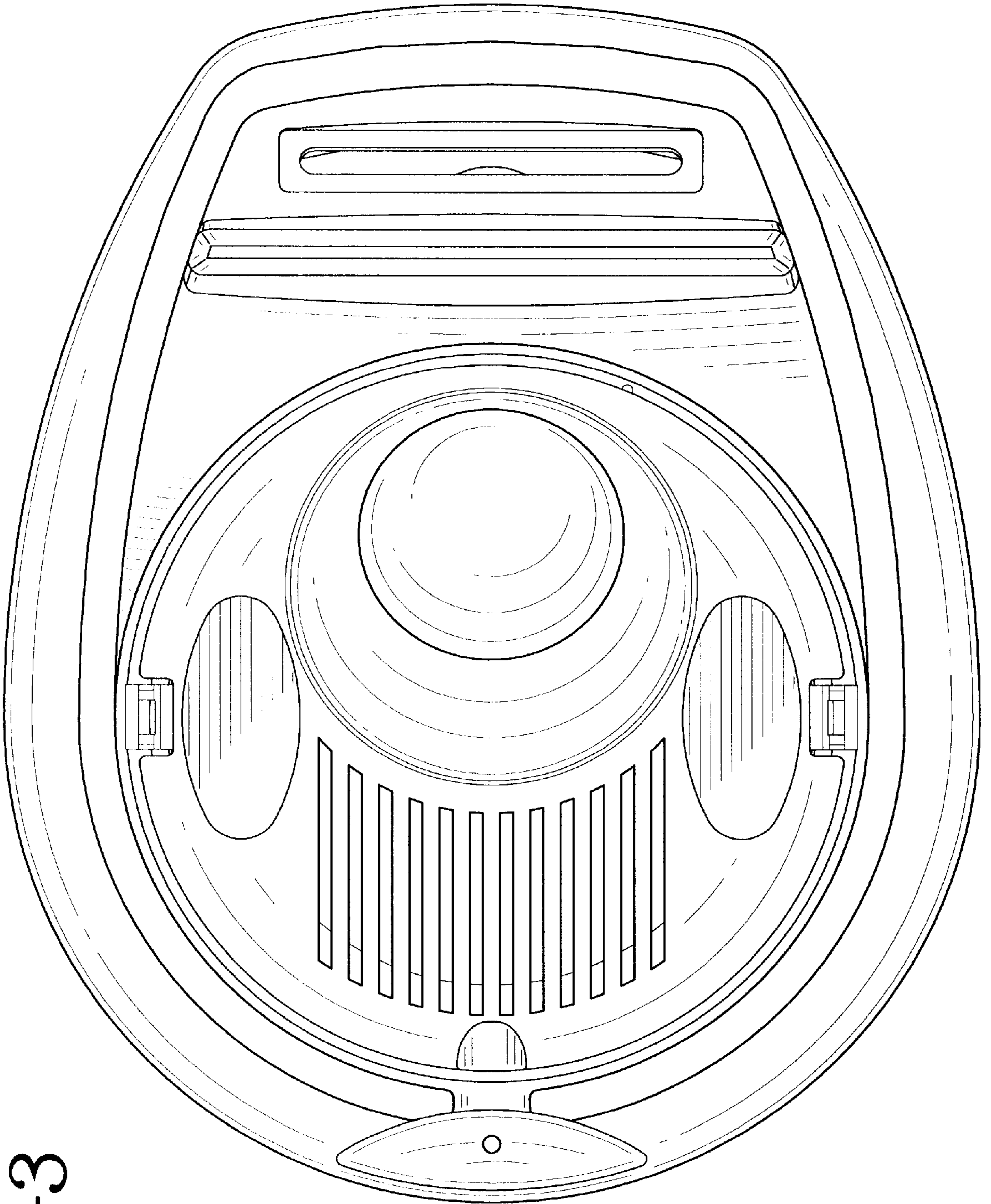


FIG-3

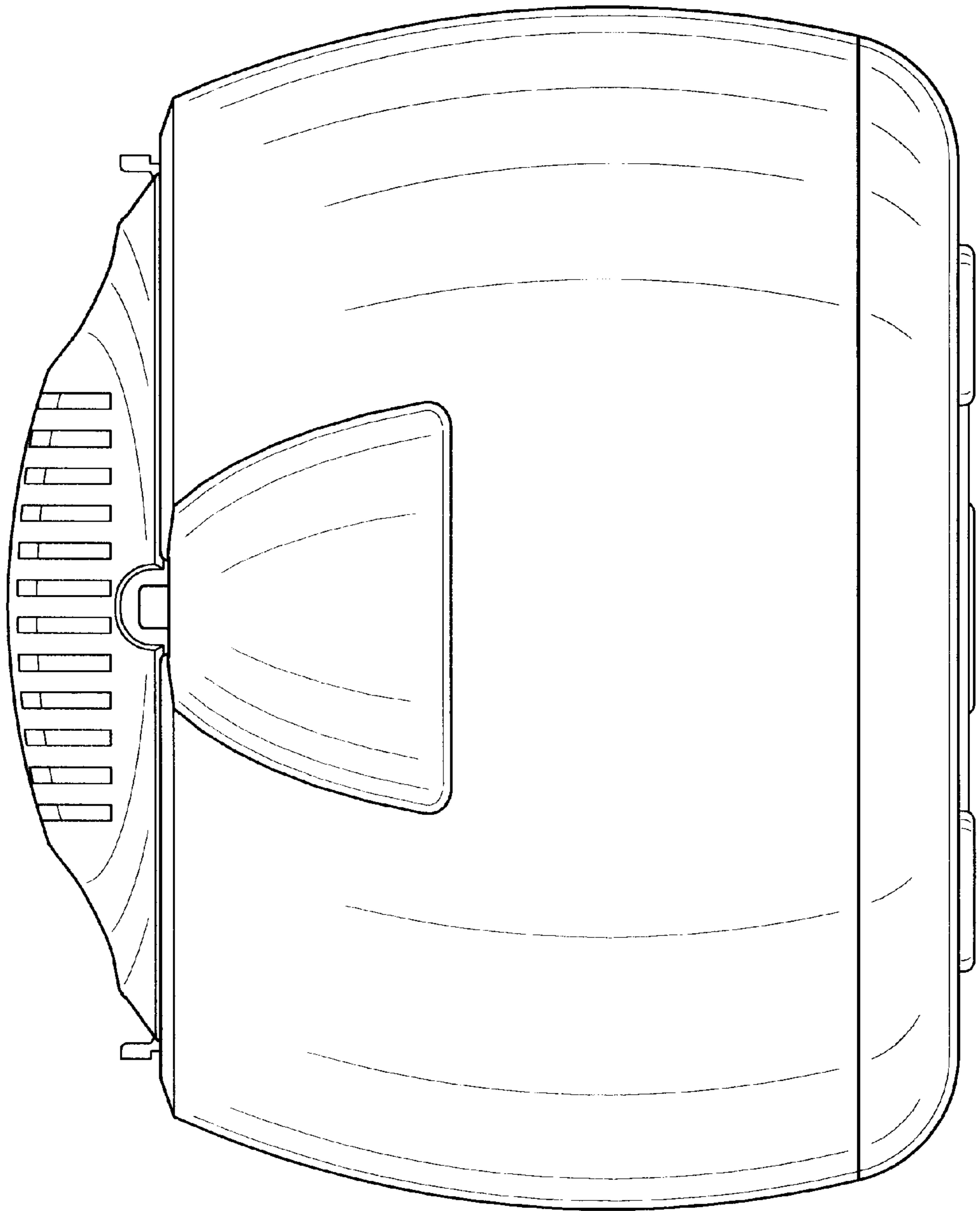


FIG-4

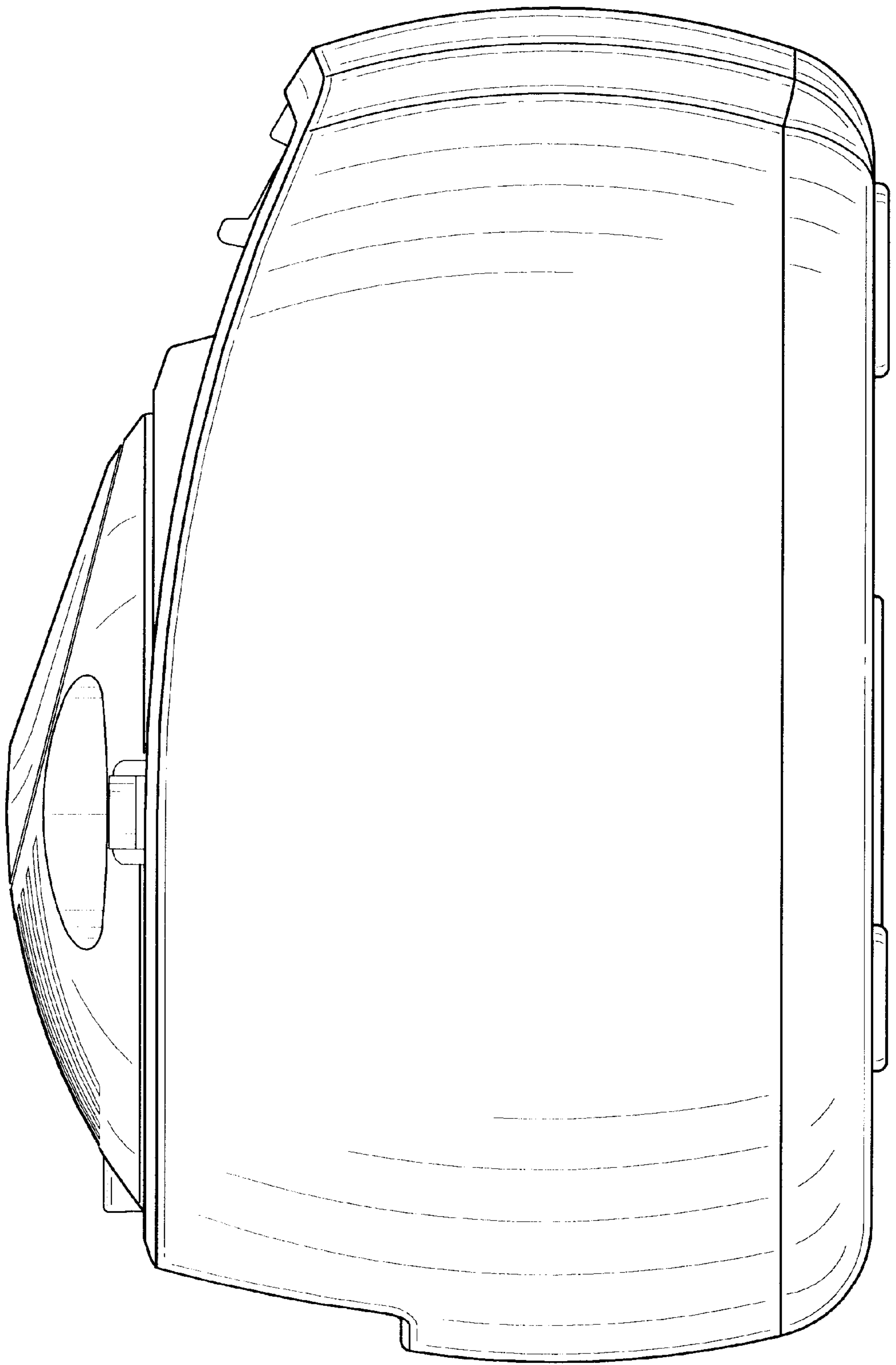


FIG-5