



US00D421106S

United States Patent [19]
French

[11] **Patent Number: Des. 421,106**

[45] **Date of Patent: ** Feb. 22, 2000**

[54] **DUAL SHOWER HEAD FIXTURE**

5,749,552 5/1998 Fan 248/205.8
5,799,346 9/1998 Tiernan 4/601

[76] Inventor: **Randall D French**, 2848 Rifle Range Rd., Knoxville, Tenn. 37918

Primary Examiner—Eric Watterson

[**] Term: **14 Years**

[57] **CLAIM**

[21] Appl. No.: **29/094,082**

The ornamental design for a dual shower head fixture, as shown and described.

[22] Filed: **Sep. 25, 1998**

DESCRIPTION

[51] **LOC (7) Cl.** **23-02**

[52] **U.S. Cl.** **D23/304**

[58] **Field of Search** D23/213, 283,
D23/303-311; 4/567, 597, 598, 601; 239/209,
267, 289, 283, 444, 551, 600

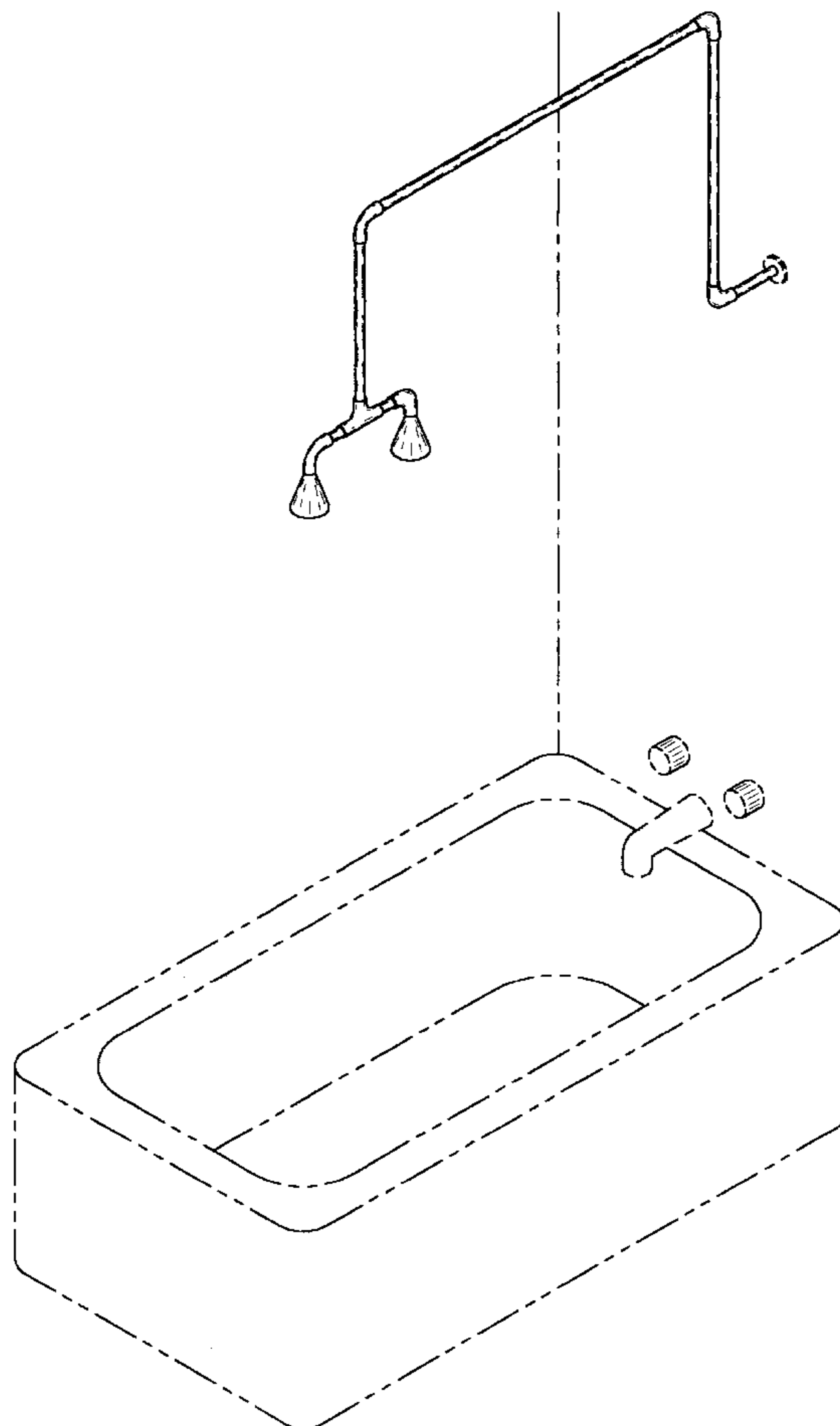
FIG. 1 is a front elevational view of the dual shower head fixture of the present invention;
FIG. 2 is a back elevational view of the dual shower head fixture of FIG. 1;
FIG. 3 is a left side elevational view of the dual shower head fixture of FIG. 1;
FIG. 4 is a right side elevational view of the dual shower head fixture of FIG. 1;
FIG. 5 is a top plan view of the dual shower head fixture of FIG. 1;
FIG. 6 is a bottom plan view of the dual shower head fixture of FIG. 1; and,
FIG. 7 is a top, front, right side perspective view of the dual shower head fixture of FIG. 1.
The broken lines shown in FIG. 7 are for illustrative purposes only and forms no part of the claimed invention.

[56] **References Cited**

U.S. PATENT DOCUMENTS

120,555	10/1871	Venn	4/601
D. 401,680	11/1998	Tiernan	D23/304
1,354,838	10/1920	Perkins	4/567
1,616,514	2/1927	Swimmer	4/601
3,121,235	2/1964	Gellmann	4/601
3,971,074	7/1976	Yxfeldt	4/570
4,865,254	9/1989	Kragle	239/76
4,901,927	2/1990	Valdivia	4/567
5,564,139	10/1996	Shorr	4/601
5,692,252	12/1997	Zwezdaryk	4/601

1 Claim, 3 Drawing Sheets



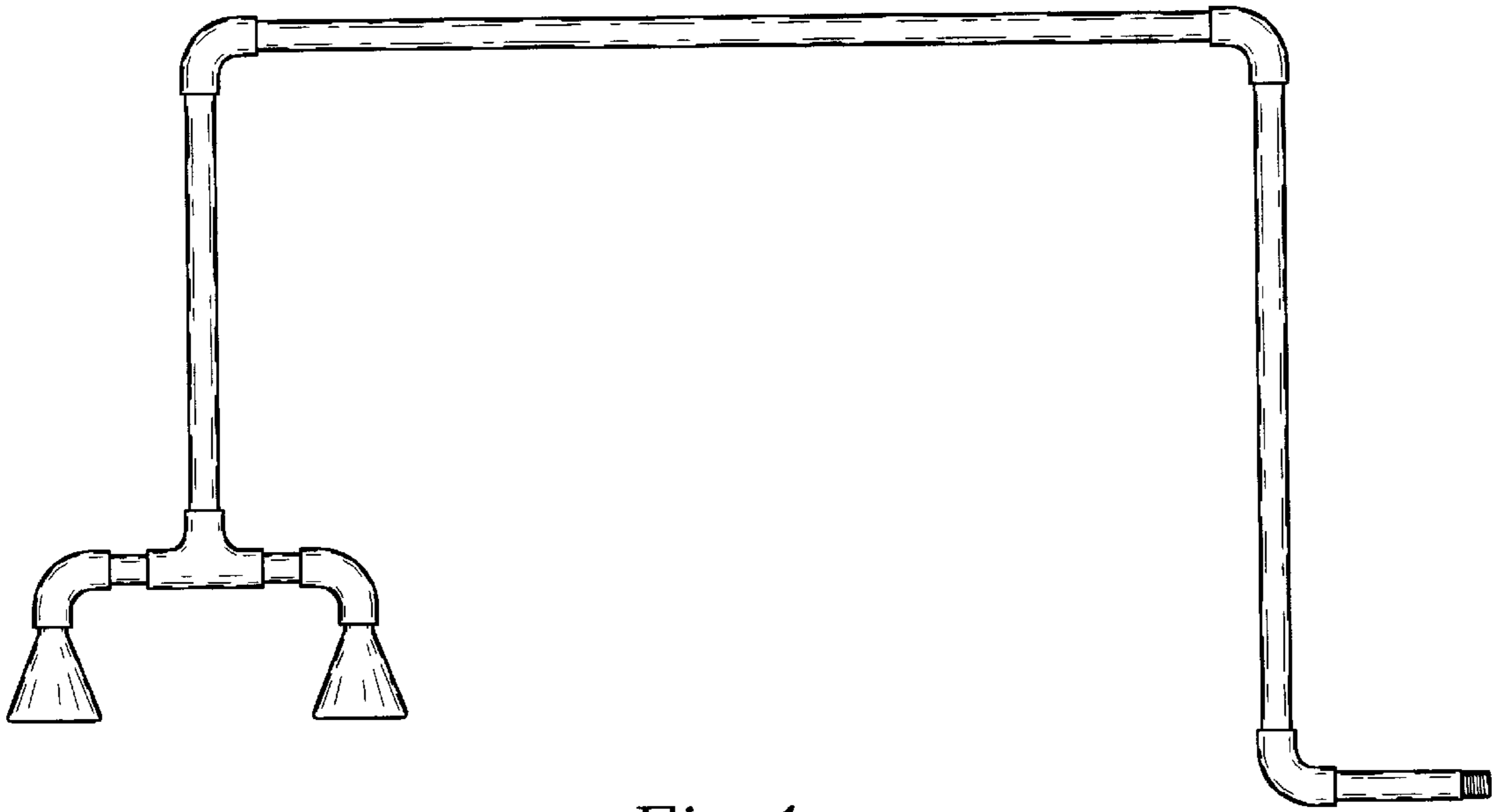


Fig. 1

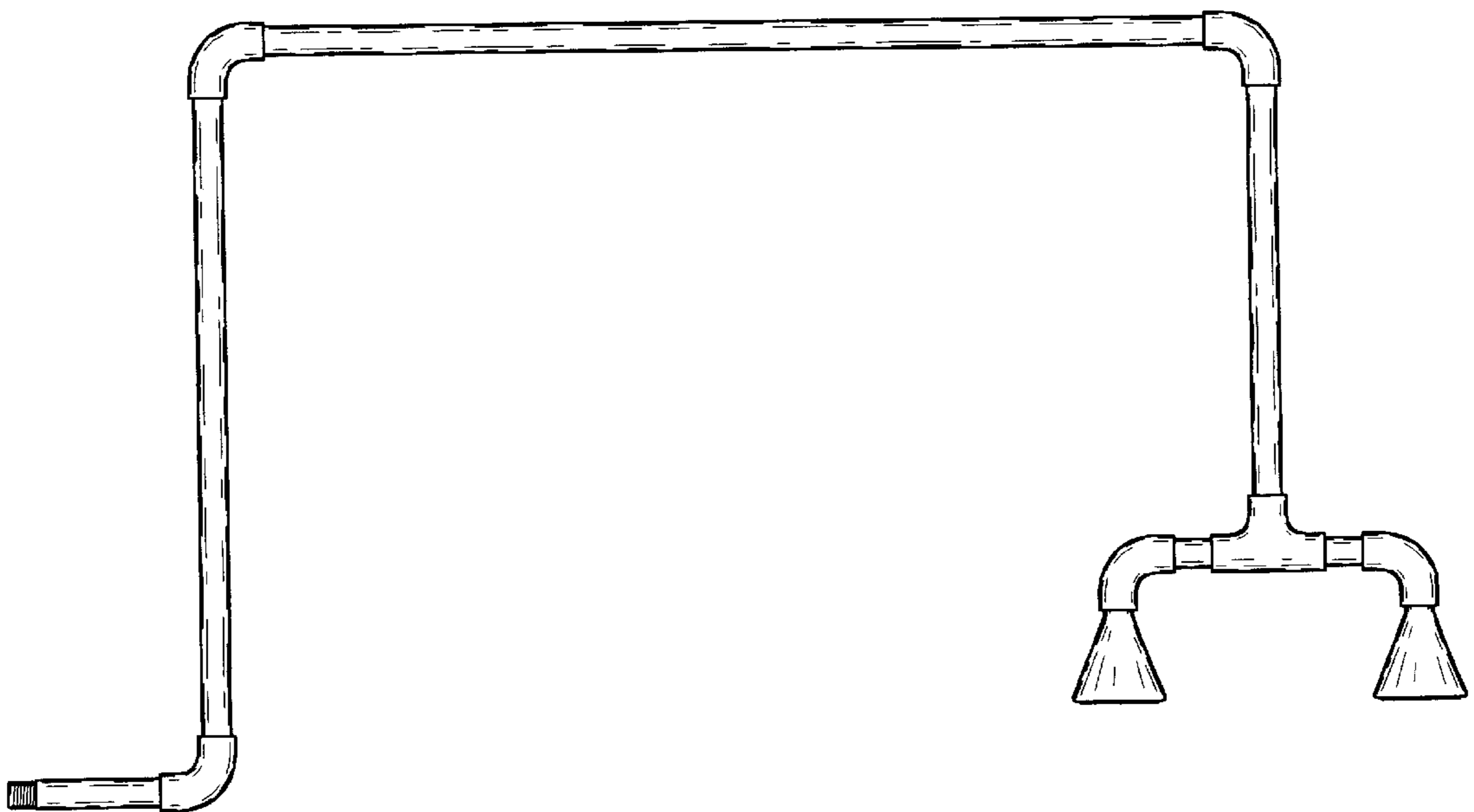


Fig. 2

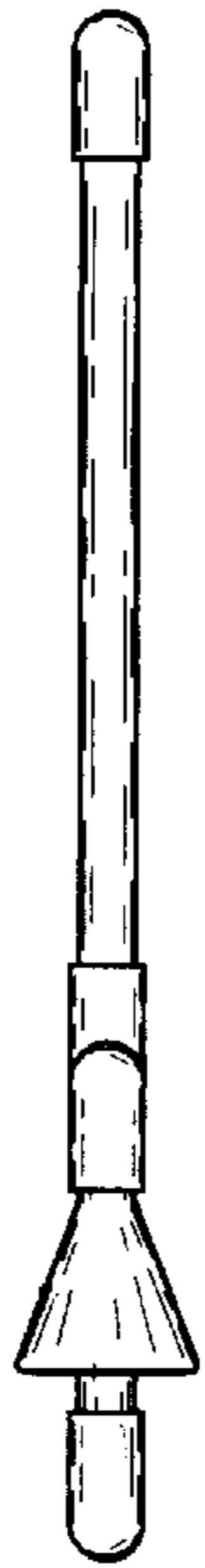


Fig. 3



Fig. 4

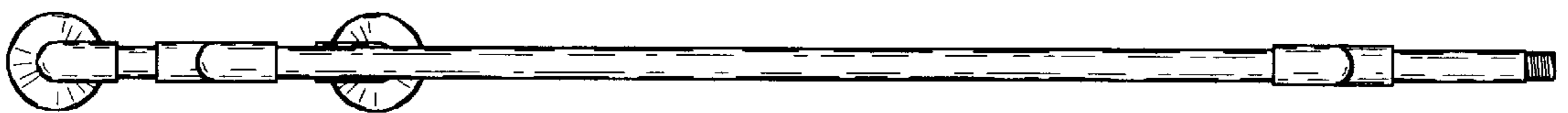


Fig. 5

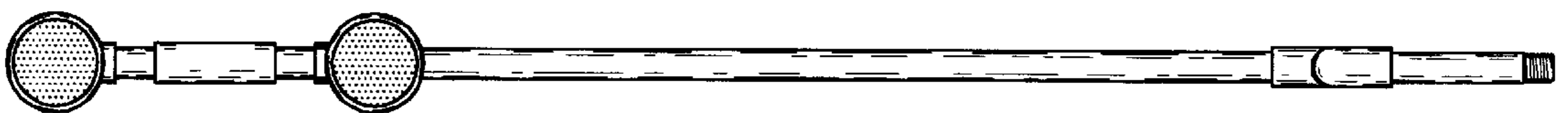


Fig. 6

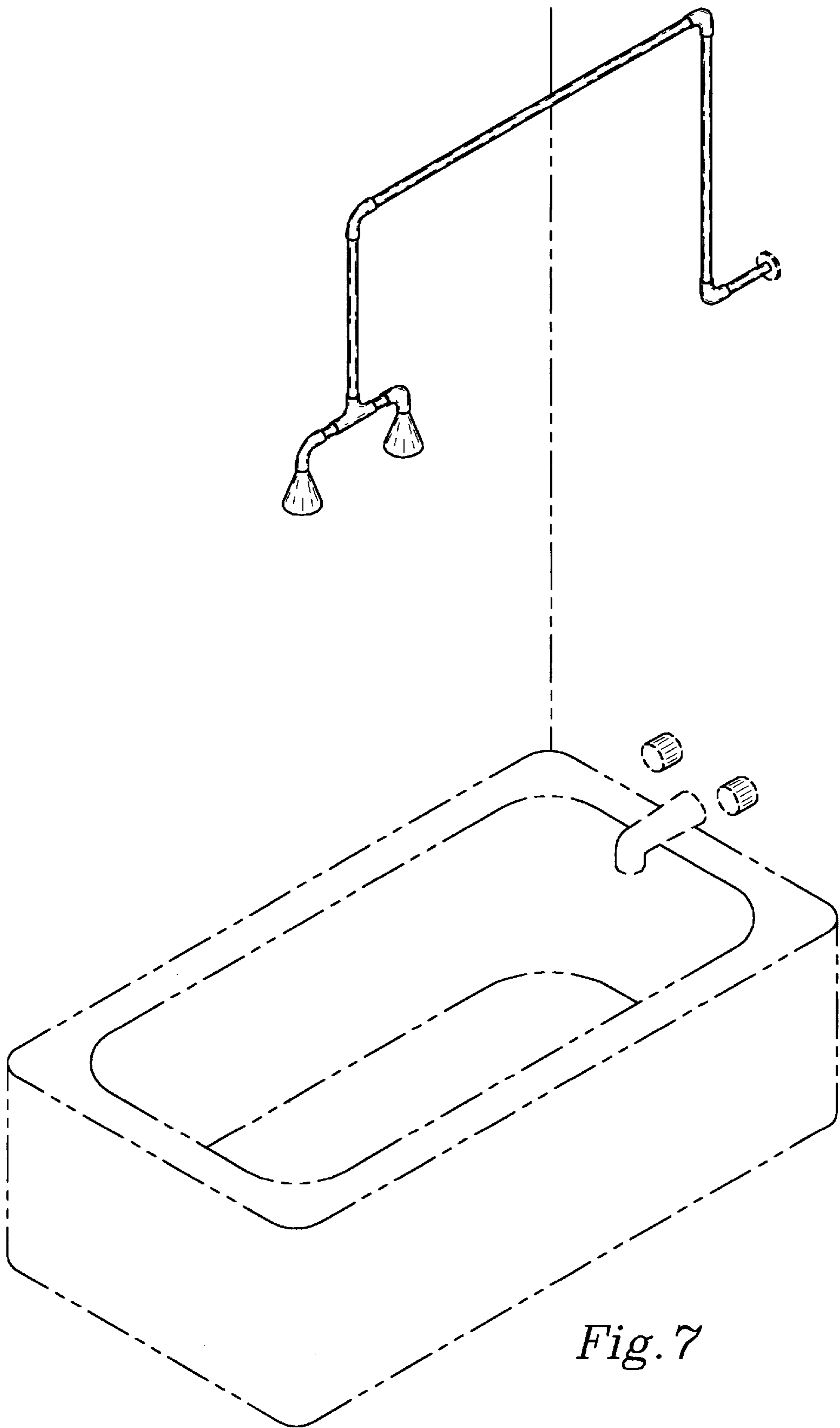


Fig. 7