



US00D421105S

United States Patent [19]

[11] Patent Number: Des. 421,105

Bonnell et al.

[45] Date of Patent: ** Feb. 22, 2000

[54] SINK

[75] Inventors: **Thomas A. Bonnell; David J. O'Connell; Mary J. Reid**, all of Sheboygan, Wis.

[73] Assignee: **Kohler Co.**, Kohler, Wis.

[**] Term: **14 Years**

[21] Appl. No.: **29/102,699**

[22] Filed: **Mar. 30, 1999**

[51] **LOC (7) Cl.** **23-02**

[52] **U.S. Cl.** **D23/290**

[58] **Field of Search** D23/284-239.1;
4/619, 624, 625, 626, 638-650

[56] References Cited

U.S. PATENT DOCUMENTS

D. 279,404	6/1985	Hiller	D23/290
D. 329,491	9/1992	Bonnell et al.	D23/284
D. 344,576	2/1994	Stairs, Jr.	D23/290
D. 402,358	12/1998	Bonnell	D23/290
2,023,692	12/1935	McQuinn	4/631

OTHER PUBLICATIONS

1997 Kohler catalog ad, p. 16.12, showing a "Cilantro" sink.
Undated Abbaka catalog ad showing a "C380D" sink,
admitted prior art.

1998 Kohler catalog ad, p. 2.68, showing "Mastershower"
valves.

1993 Franke catalog ad, p. 22, showing a kitchenette.

Primary Examiner—Eric Watterson

Attorney, Agent, or Firm—Quarles & Brady LLP

[57] CLAIM

The ornamental design for a sink, as shown and described.

DESCRIPTION

FIG. 1 is a right, top, front perspective view of a sink

embodying our new design;

FIG. 2 is a top plan view thereof;

FIG. 3 is a front elevational view thereof;

FIG. 4 is a right side elevational view thereof;

FIG. 5 is a rear elevational view thereof;

FIG. 6 is a left side elevational view thereof;

FIG. 7 is a cross-sectional view taken along line 7—7 of FIG. 2;

FIG. 8 is a left, top, front perspective view of a second embodiment, the top plan view being a mirror image of that shown in FIG. 2, the front elevational view being a mirror image of that shown in FIG. 3, the left side elevational view being a mirror image of that shown in FIG. 4, the rear elevational view being a mirror image of that shown in FIG. 5, and the right side elevational view being a mirror image of that shown in FIG. 6;

FIG. 9 is a right, top, front perspective view of a third embodiment;

FIG. 10 is a top plan view thereof;

FIG. 11 is a front elevational view thereof;

FIG. 12 is a right side elevational view thereof;

FIG. 13 is a rear elevational view thereof;

FIG. 14 is a left side elevational view thereof;

FIG. 15 is a cross-sectional view taken along line 15—15 of FIG. 10; and,

FIG. 16 is a left, top, front perspective view of a fourth embodiment, the top plan view being a mirror image of that shown in FIG. 10, the front elevational view being a mirror image of that shown in FIG. 11, the left side elevational view being a mirror image of that shown in FIG. 12, the rear elevational view being a mirror image of that shown in FIG. 13, and the right side elevational view being a mirror image of that shown in FIG. 14.

The broken line representations of non-ornamental structure in FIGS. 1, 3-9, and 11-16, of a drain in FIGS. 2, 7, 10 and 15, and of holes in FIGS. 1, 2, 8-10, and 16, are for the purpose of illustration only, and form no part of the claimed design.

1 Claim, 16 Drawing Sheets

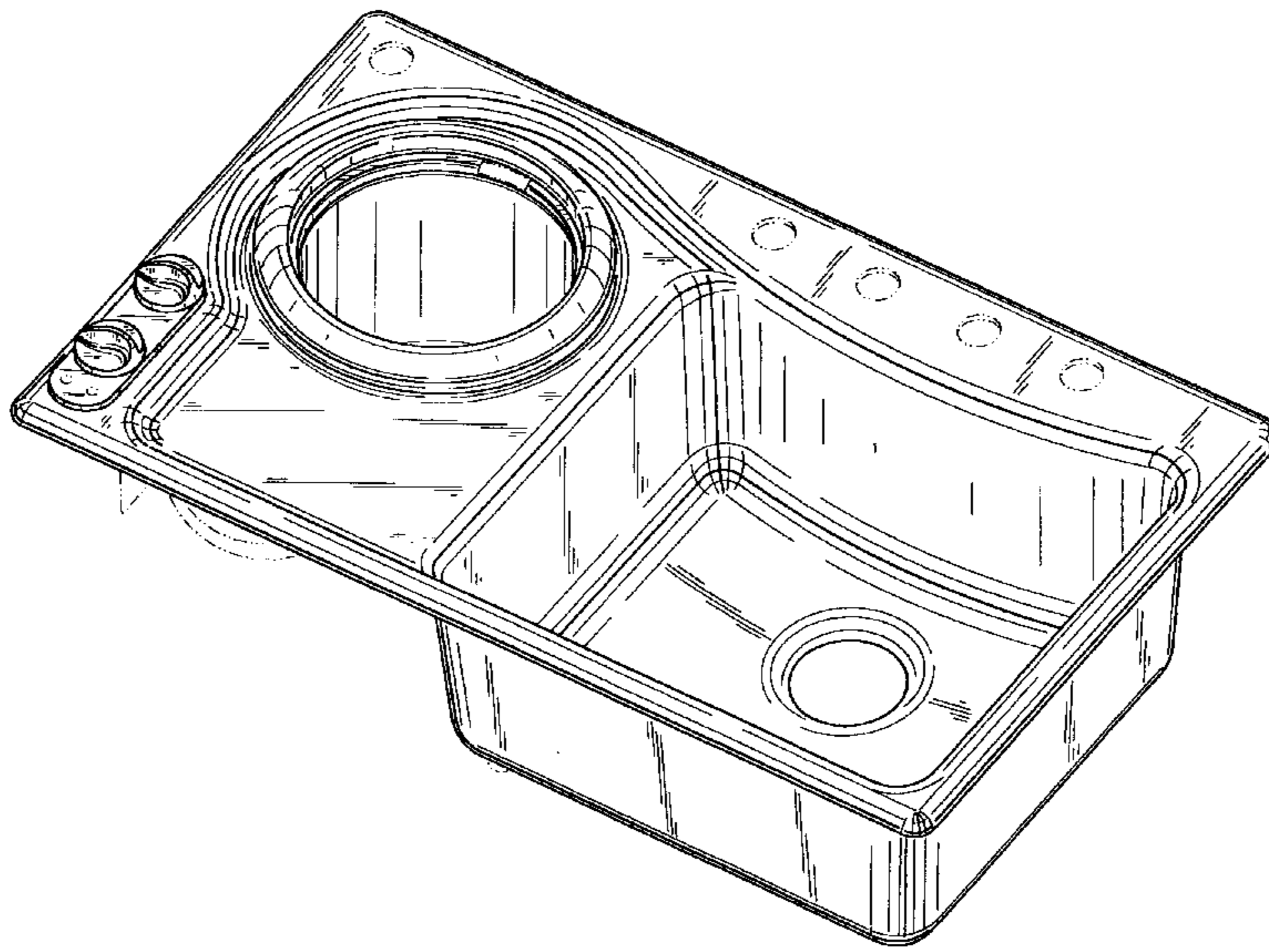


FIG. 1

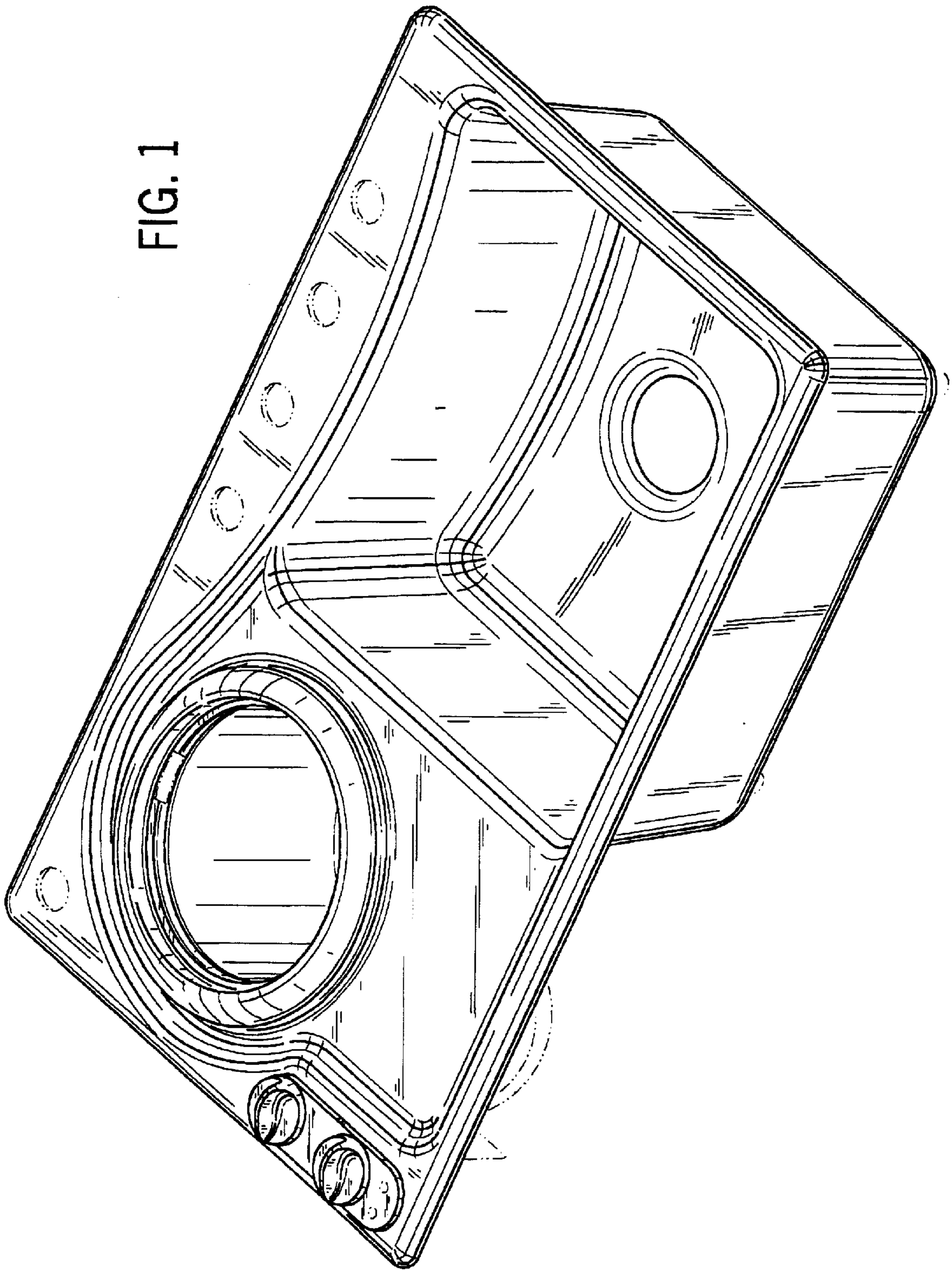


FIG. 2

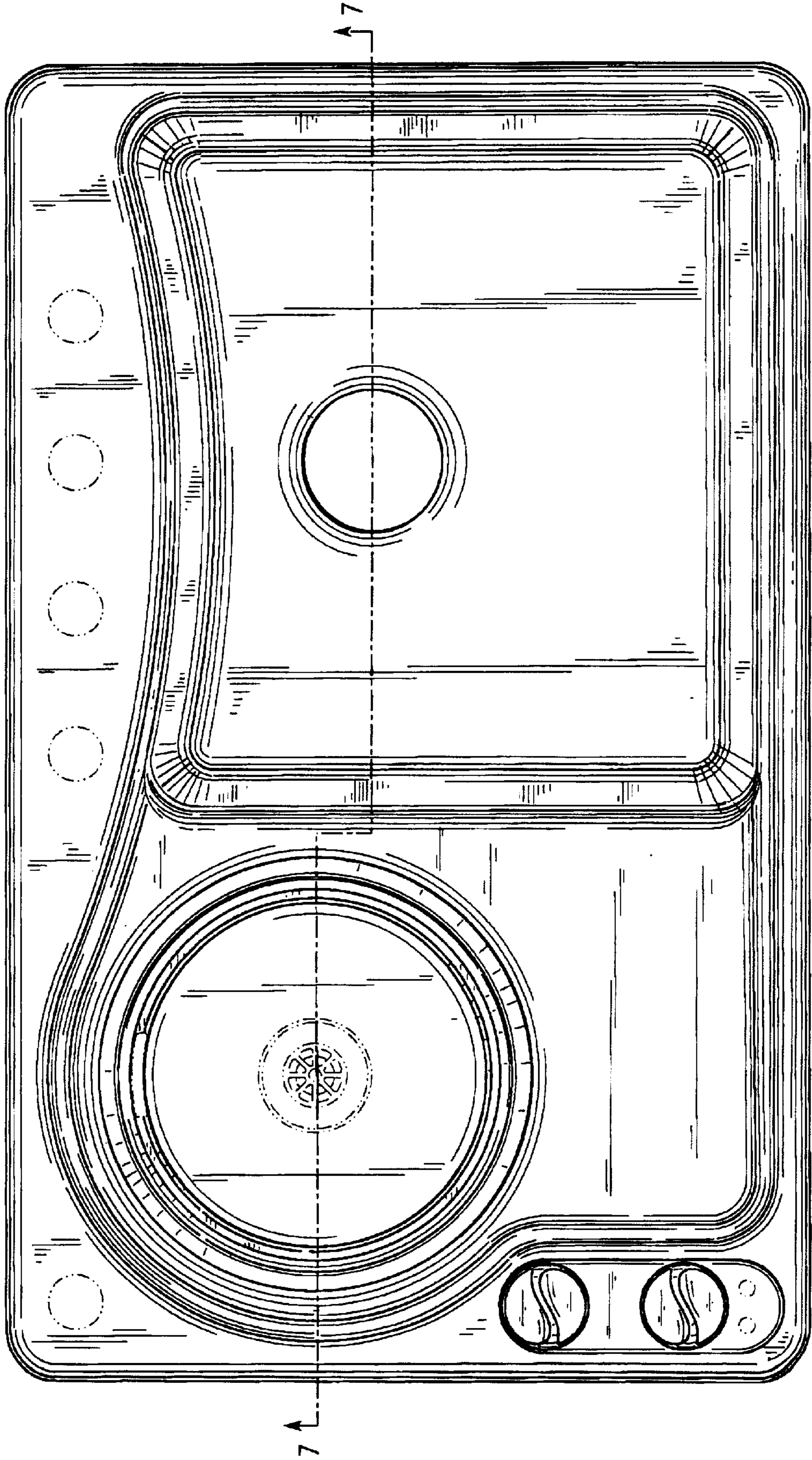


FIG. 3

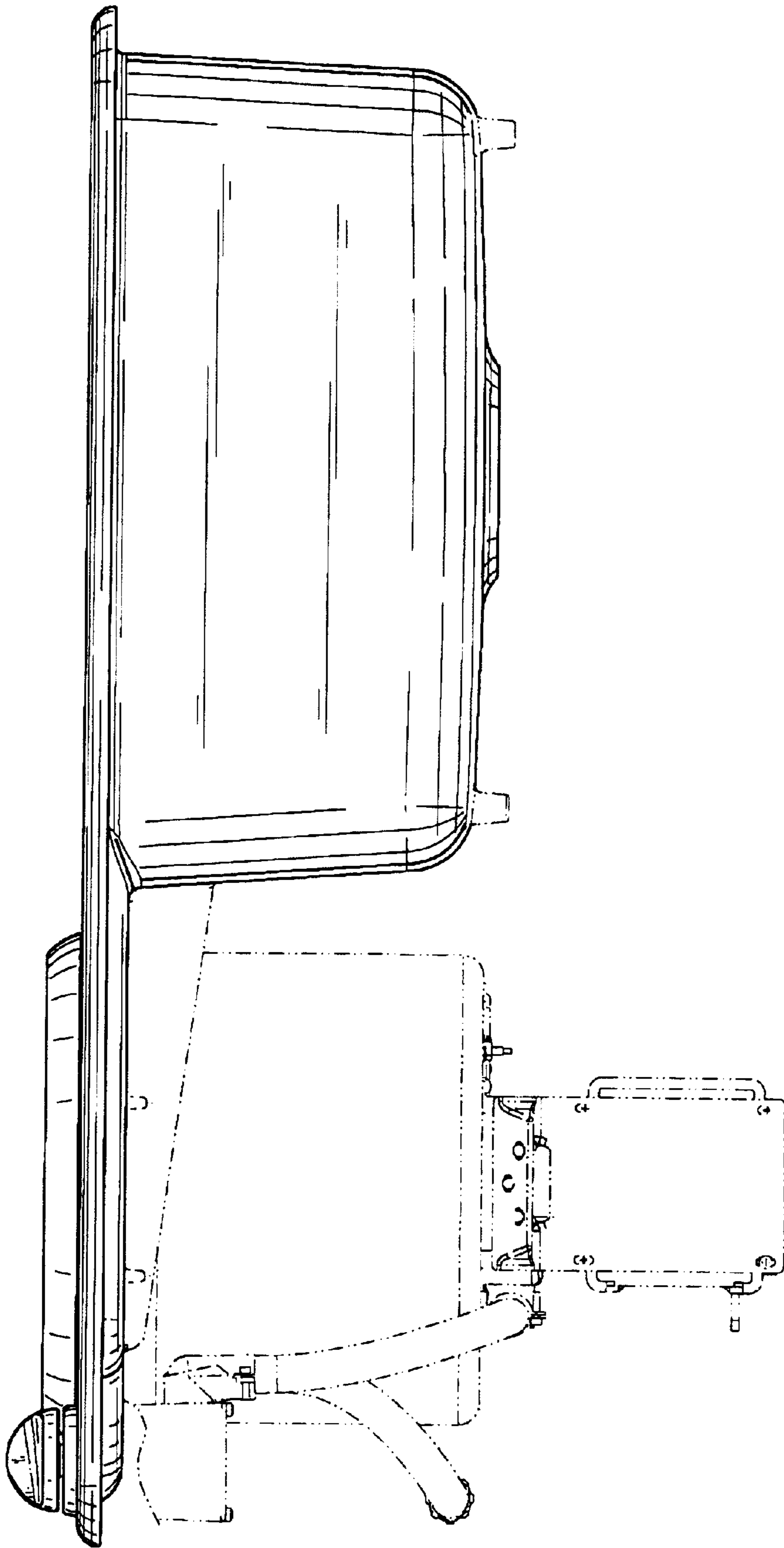


FIG. 4

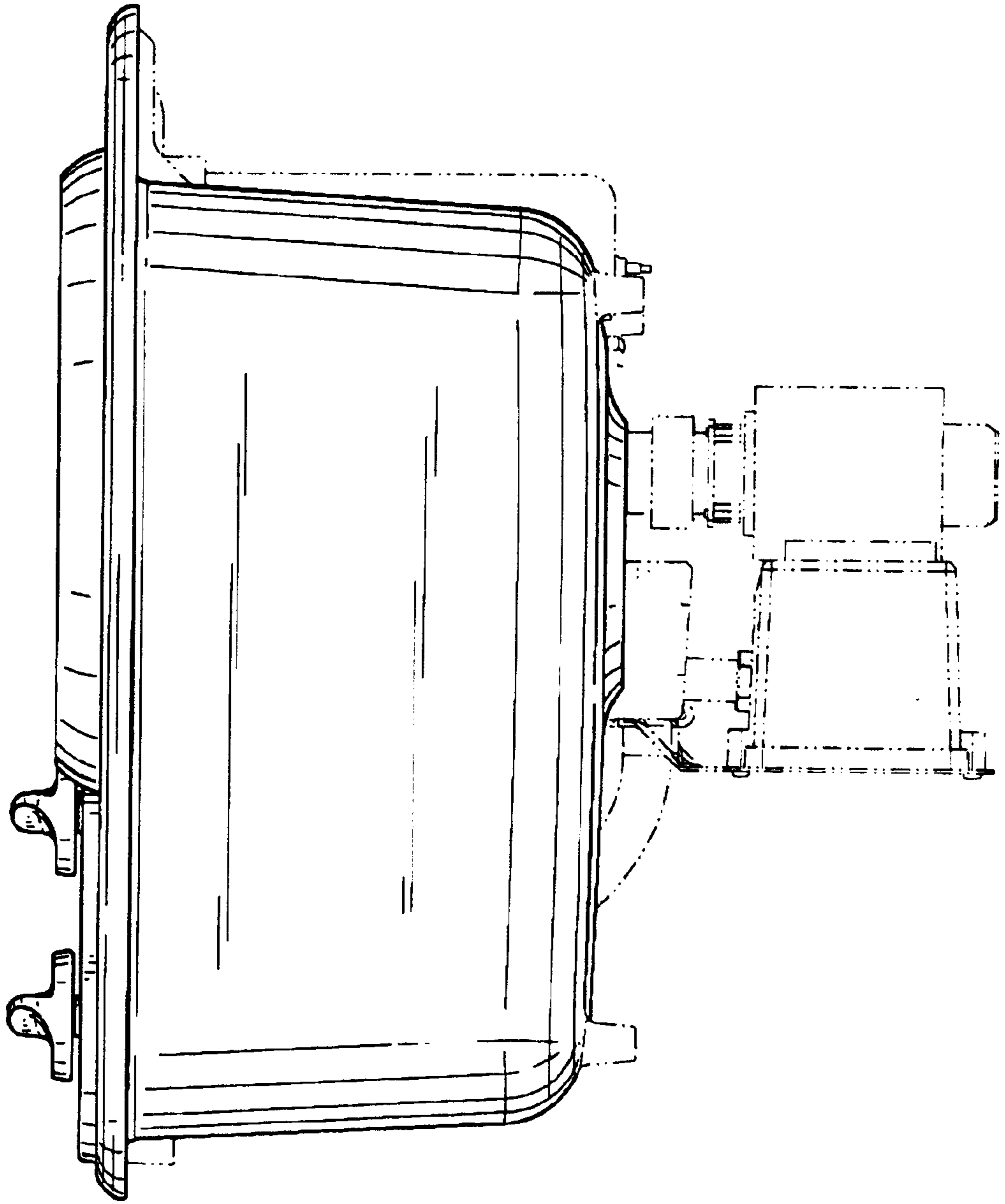
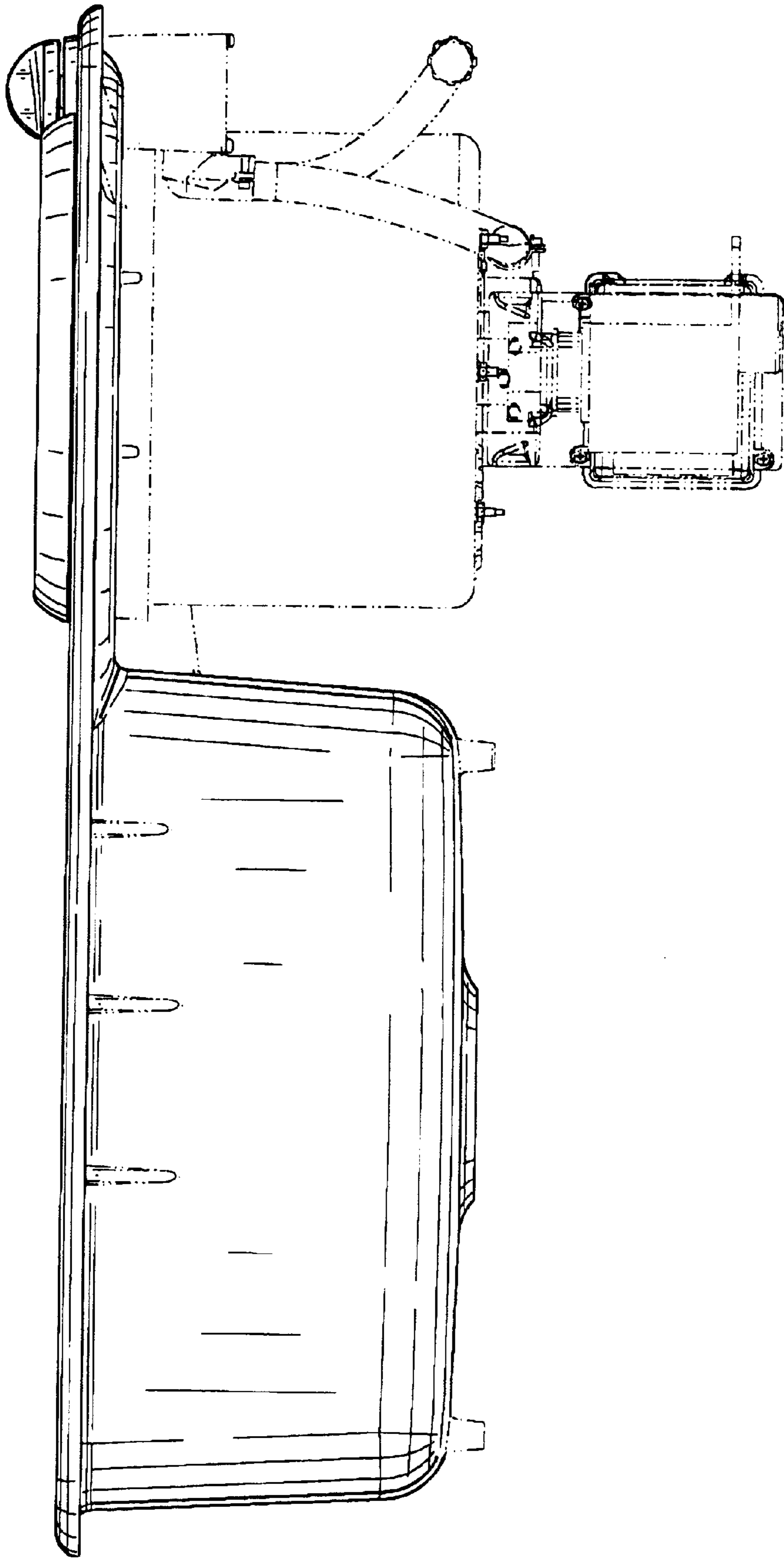


FIG. 5



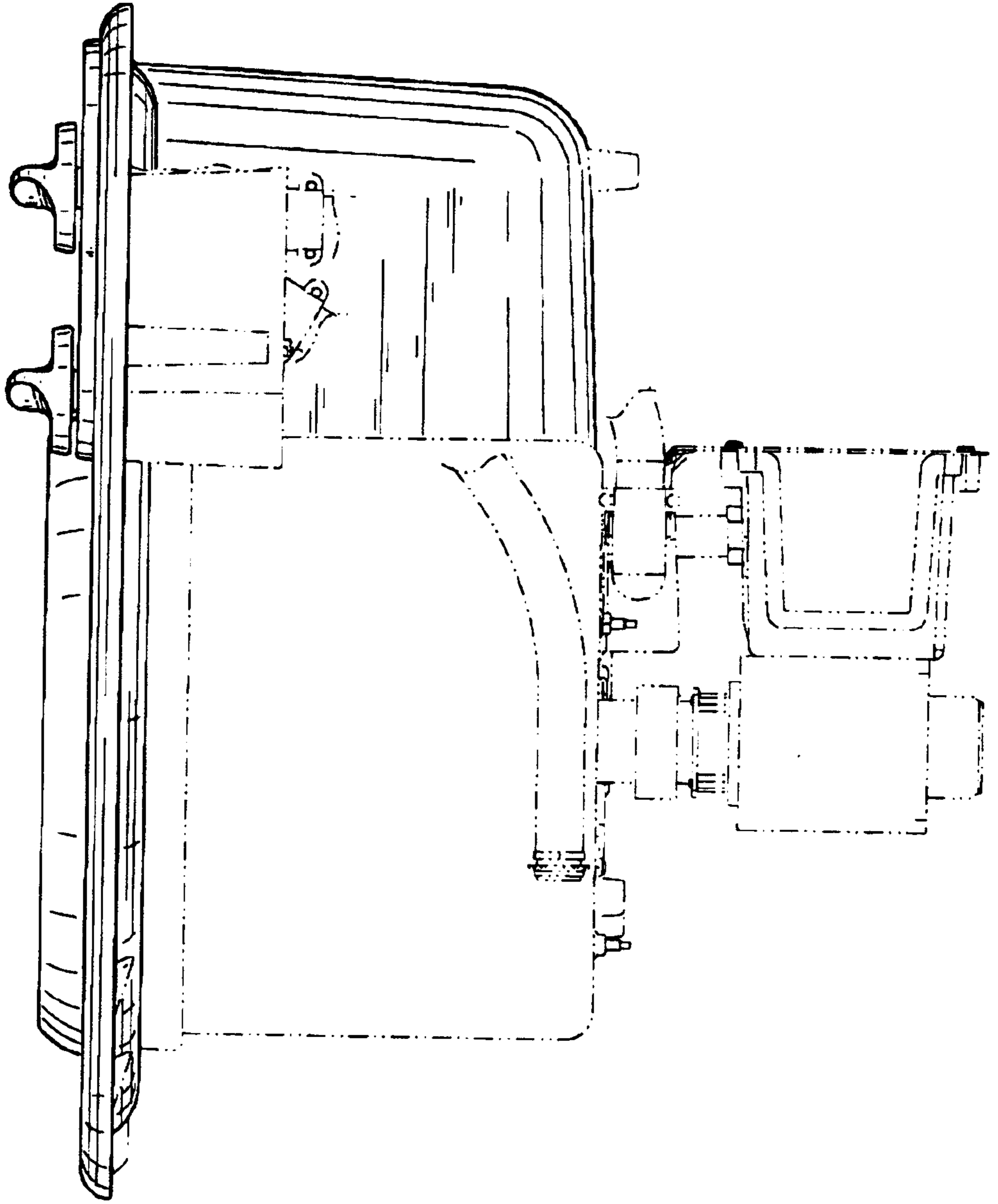
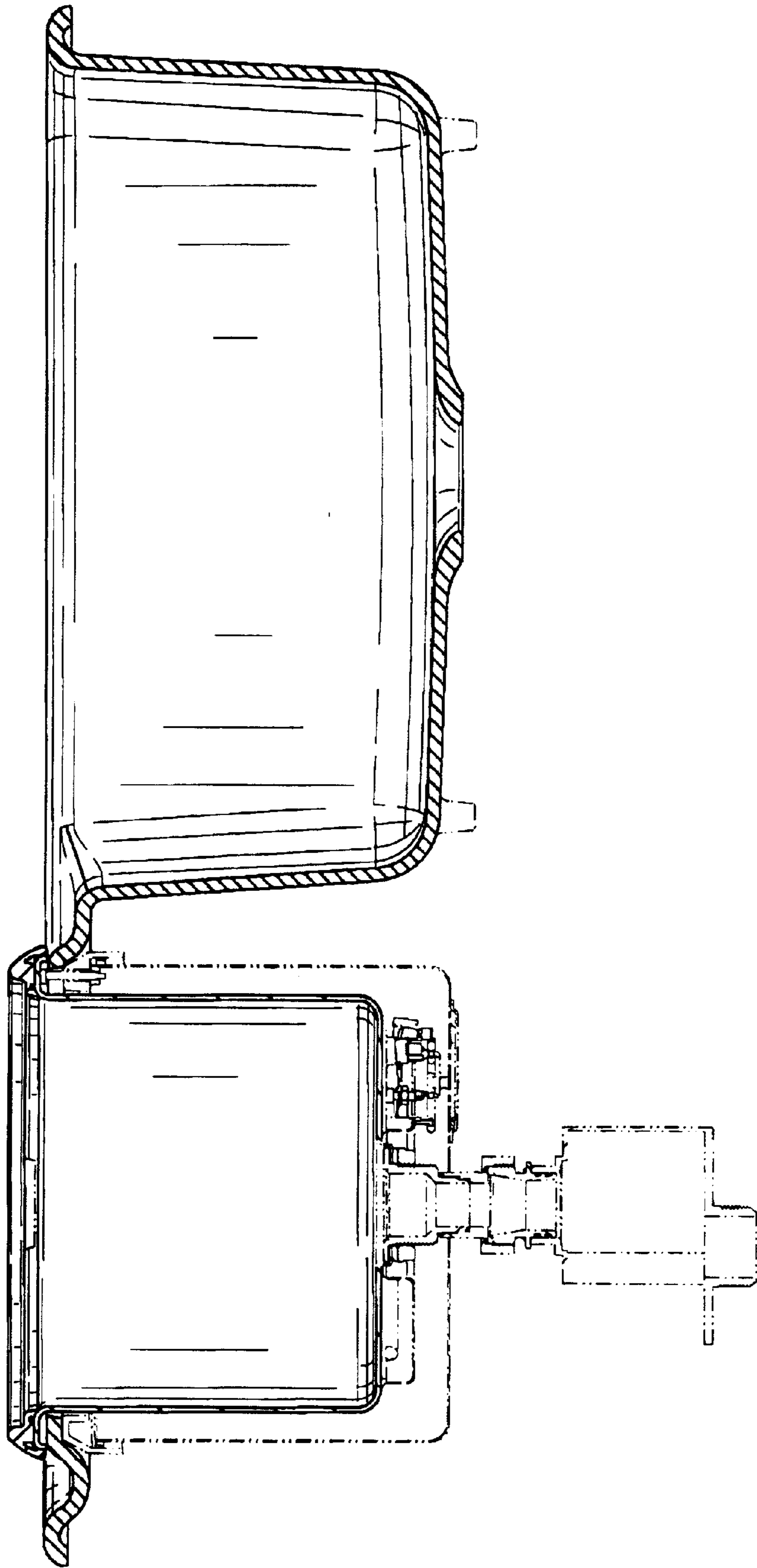


FIG. 6

FIG. 7



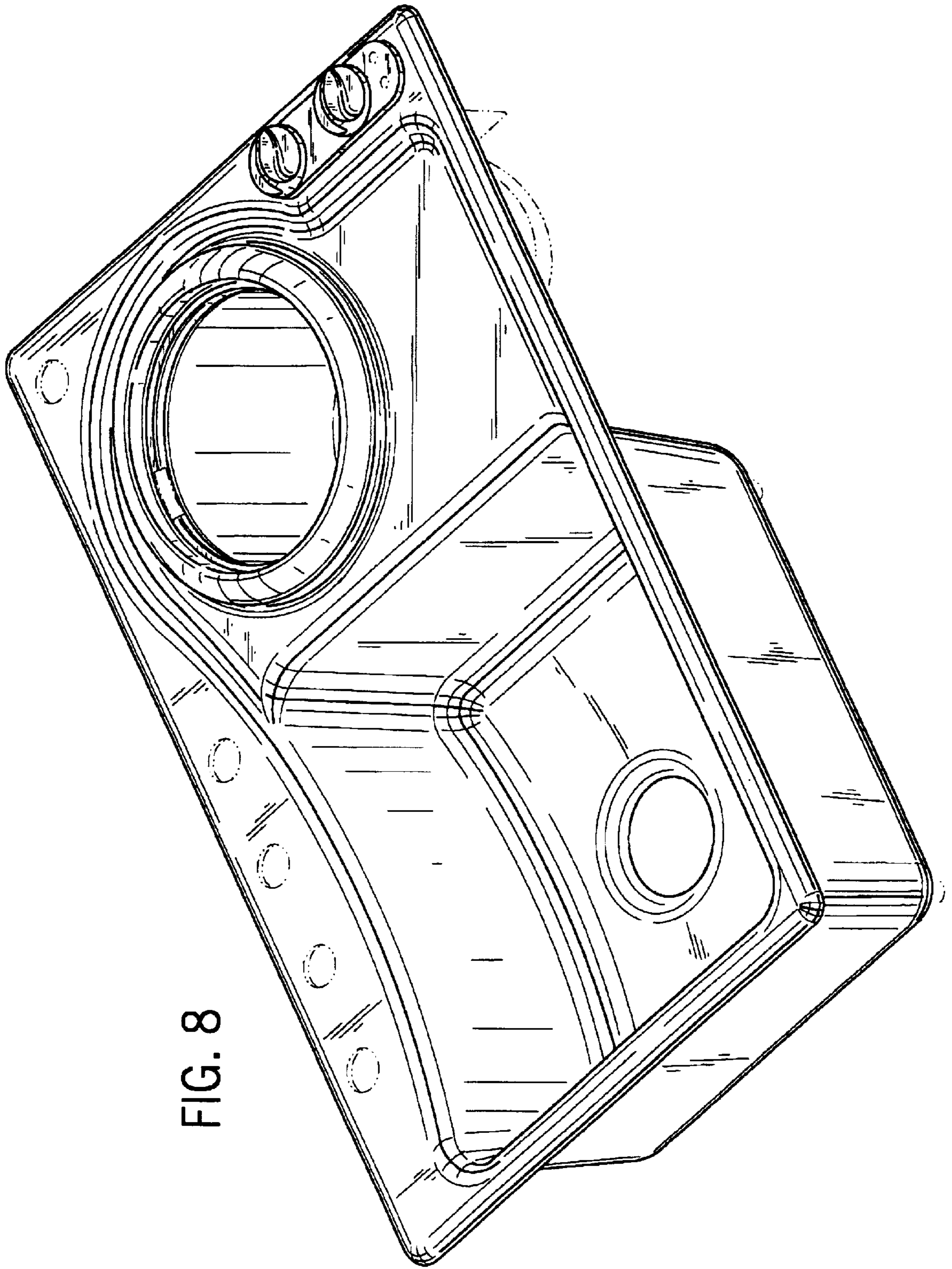


FIG. 8

FIG. 9

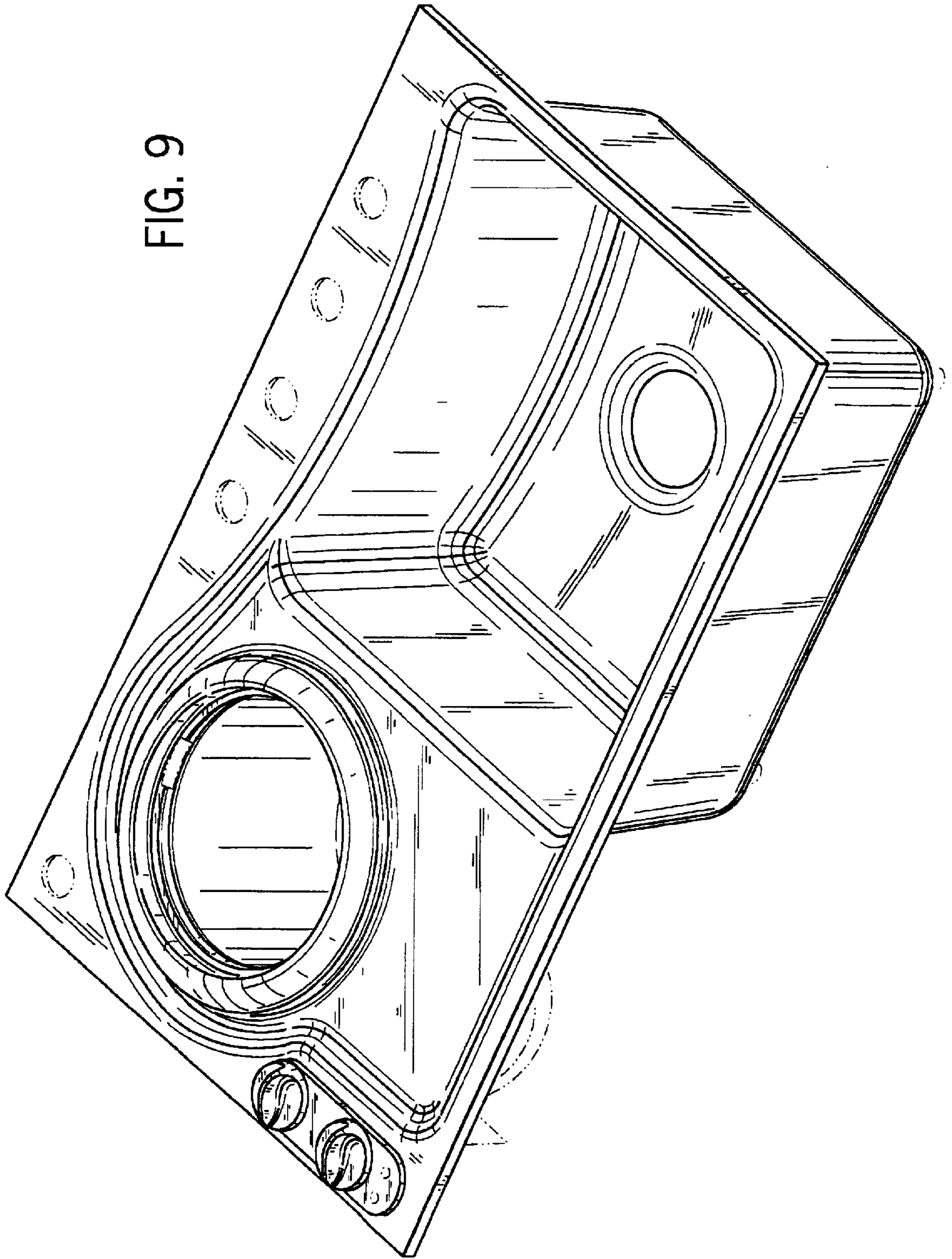


FIG. 10

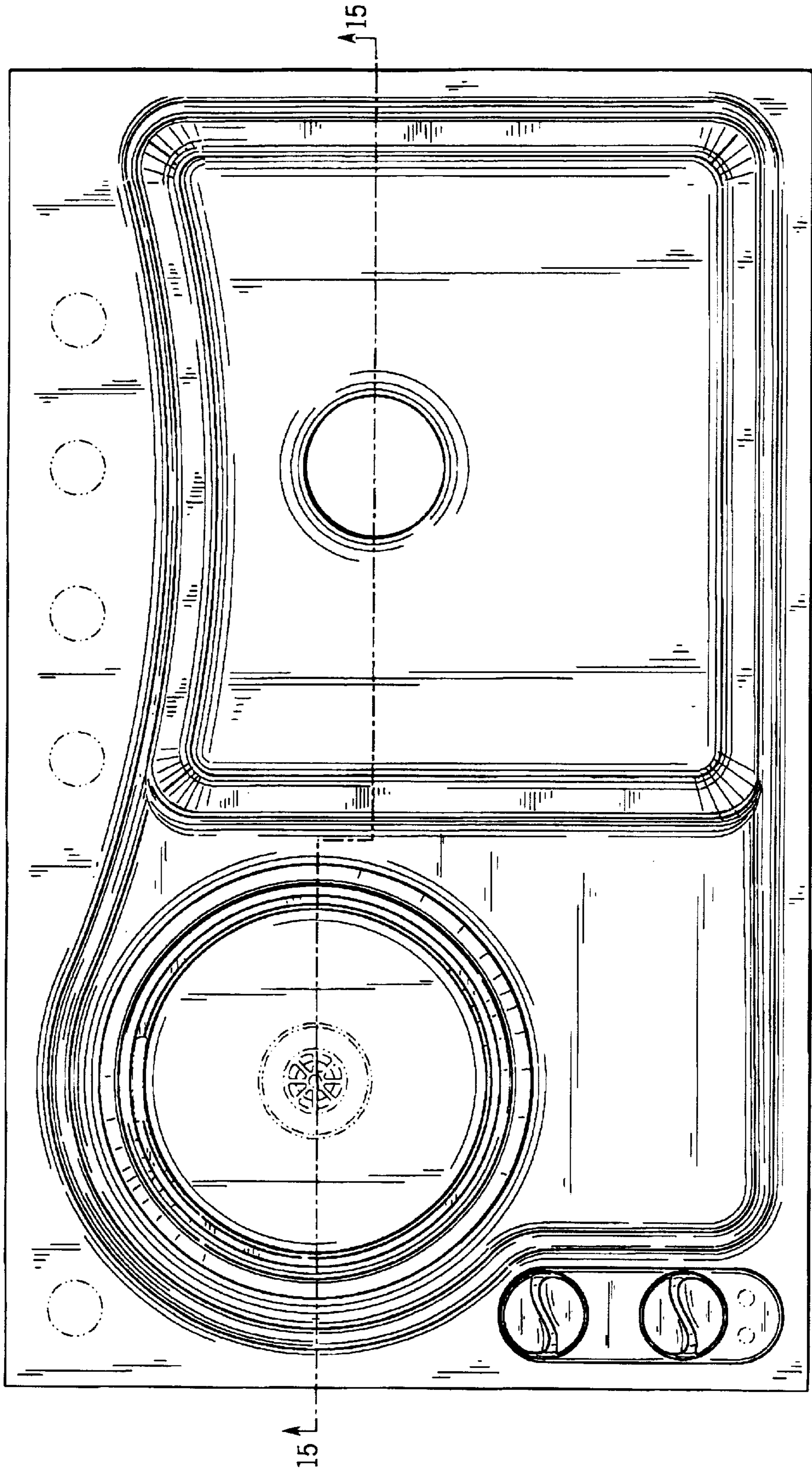


FIG. 11

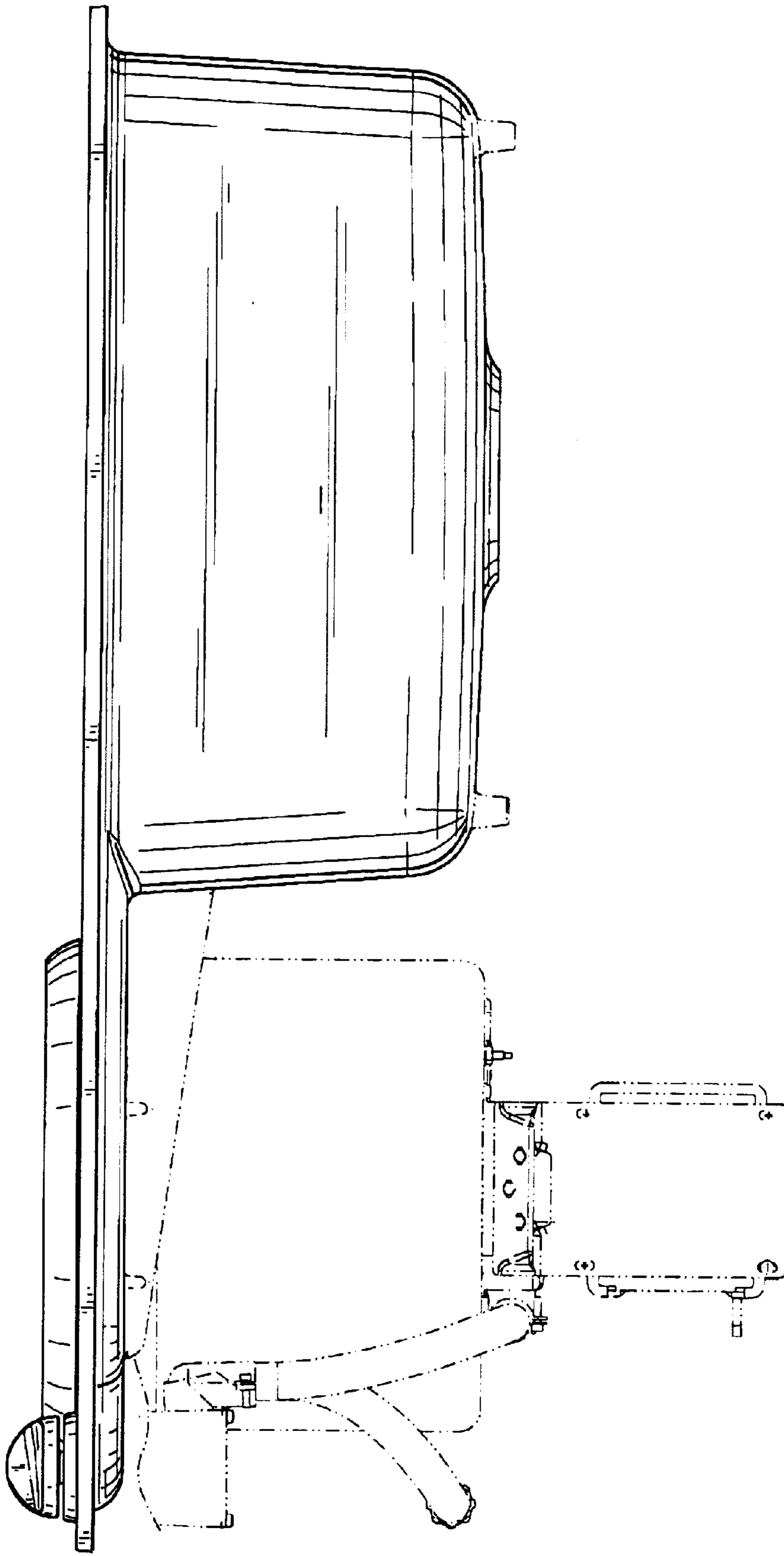


FIG. 12

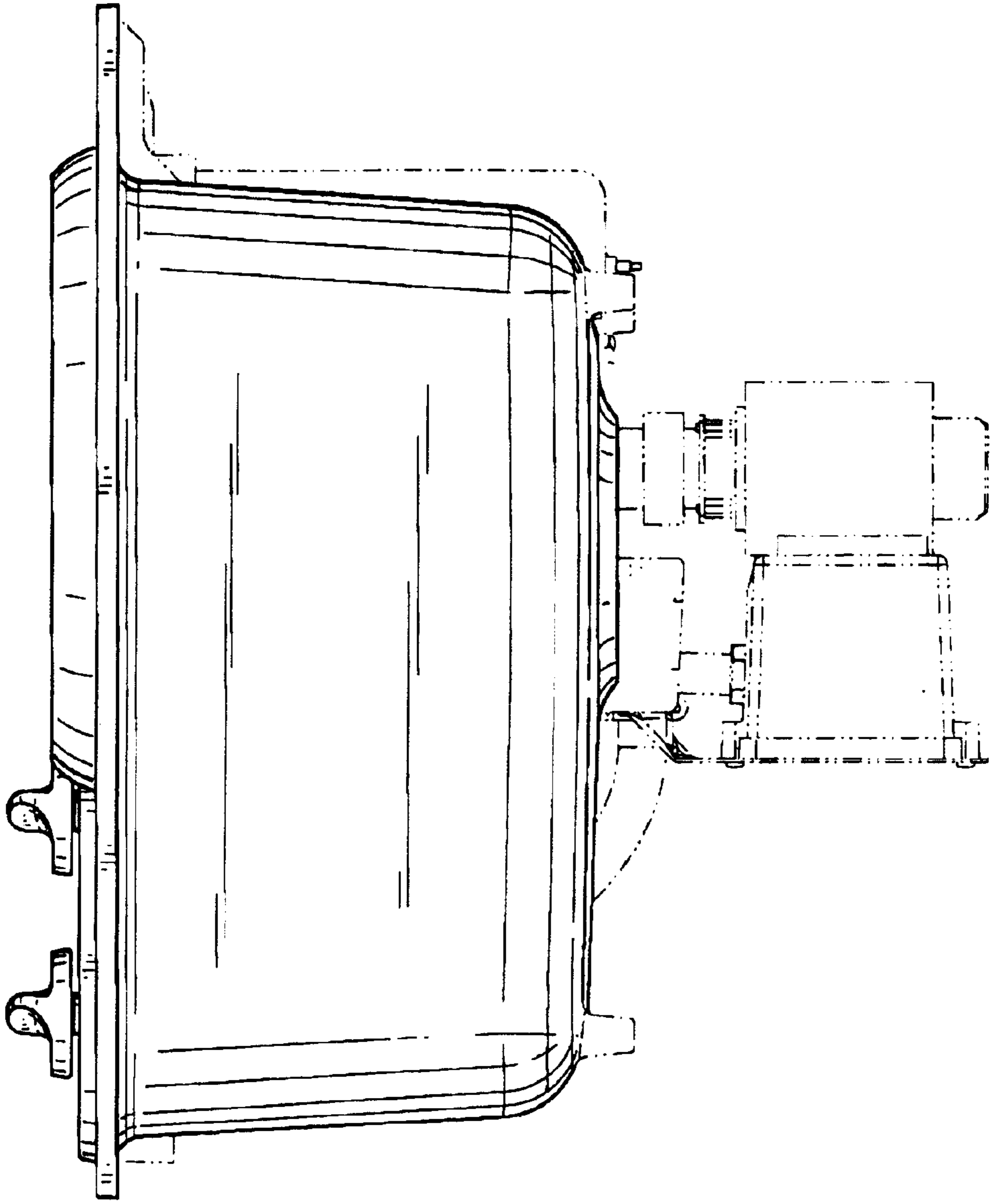
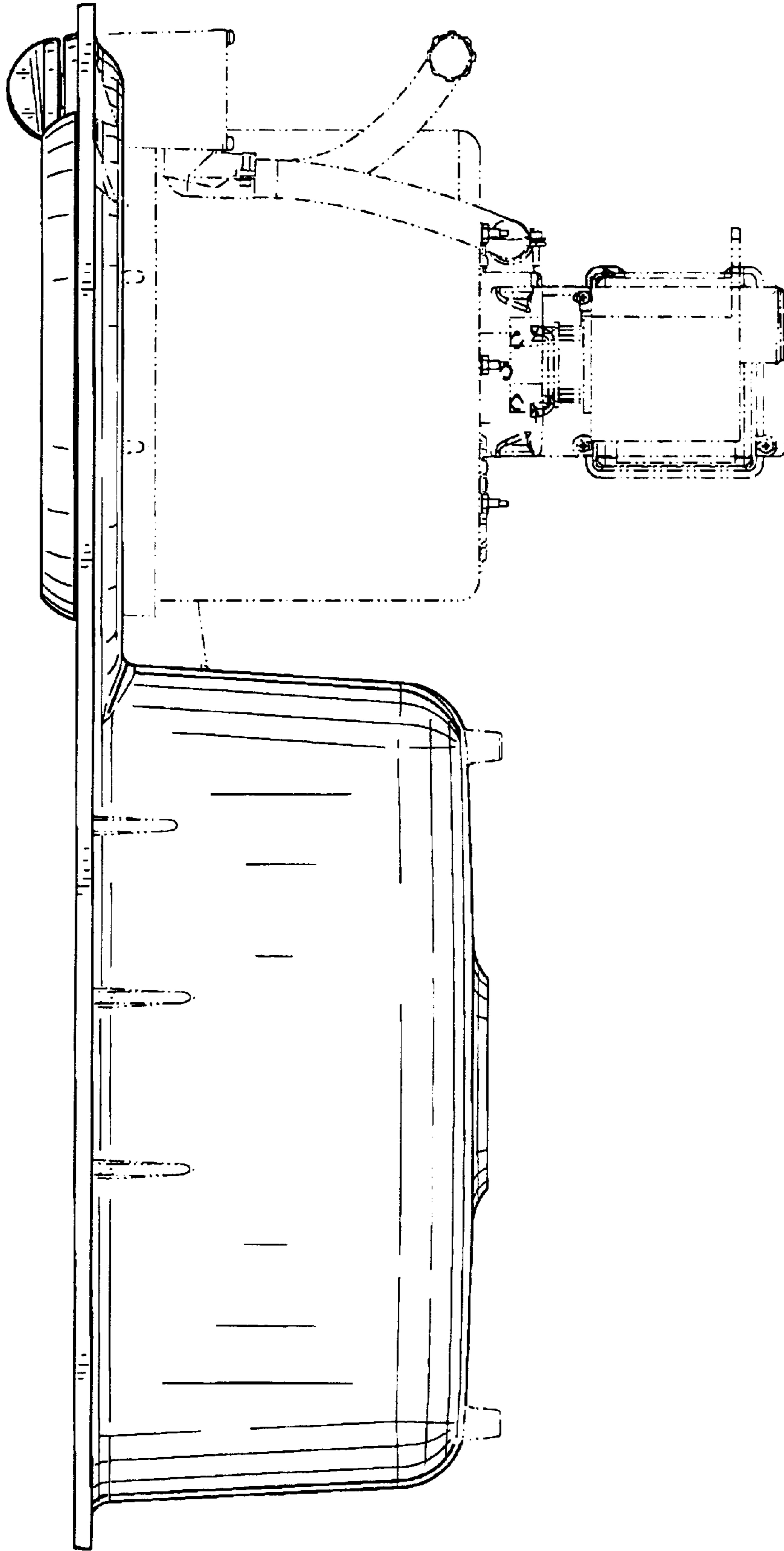


FIG. 13



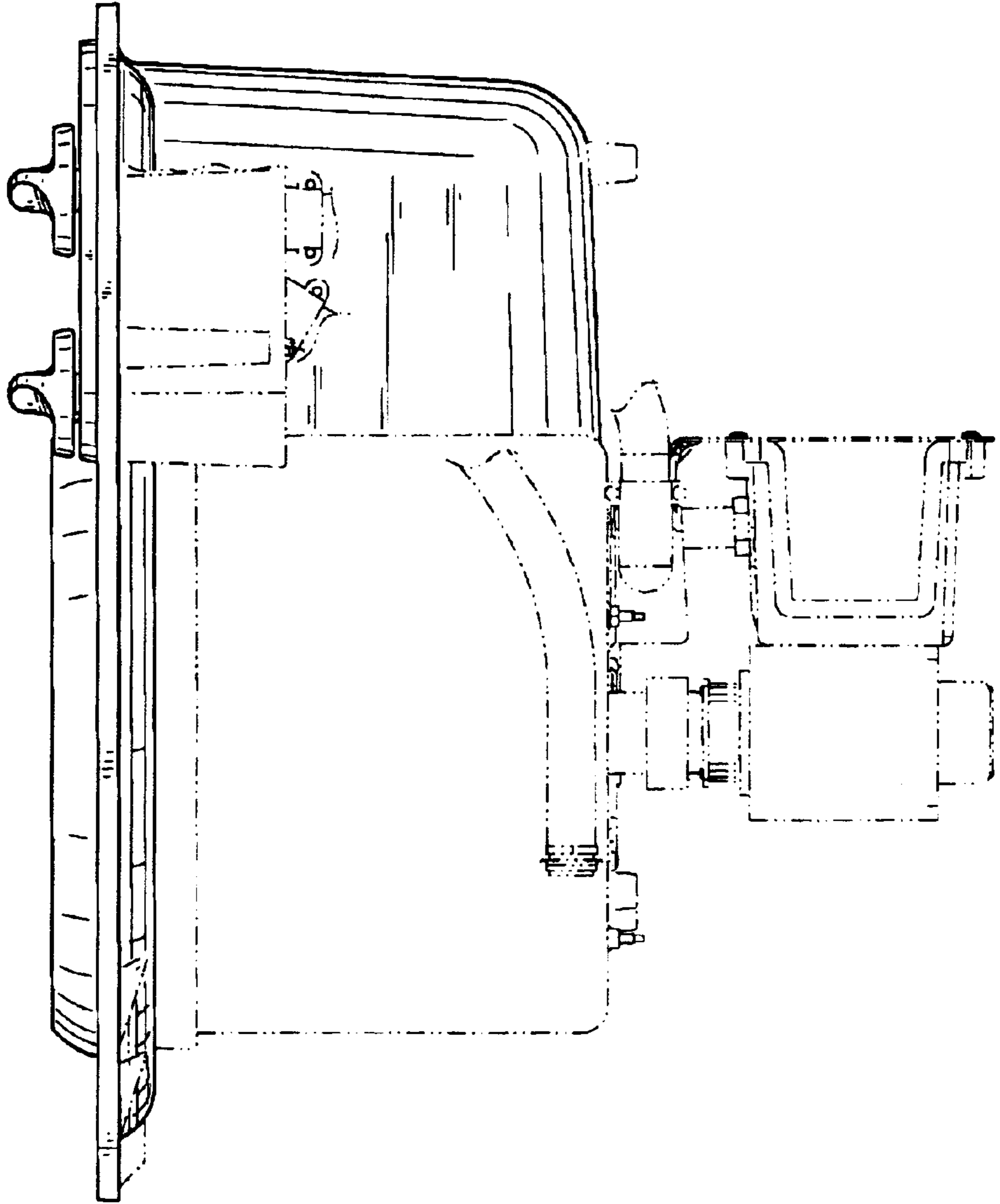
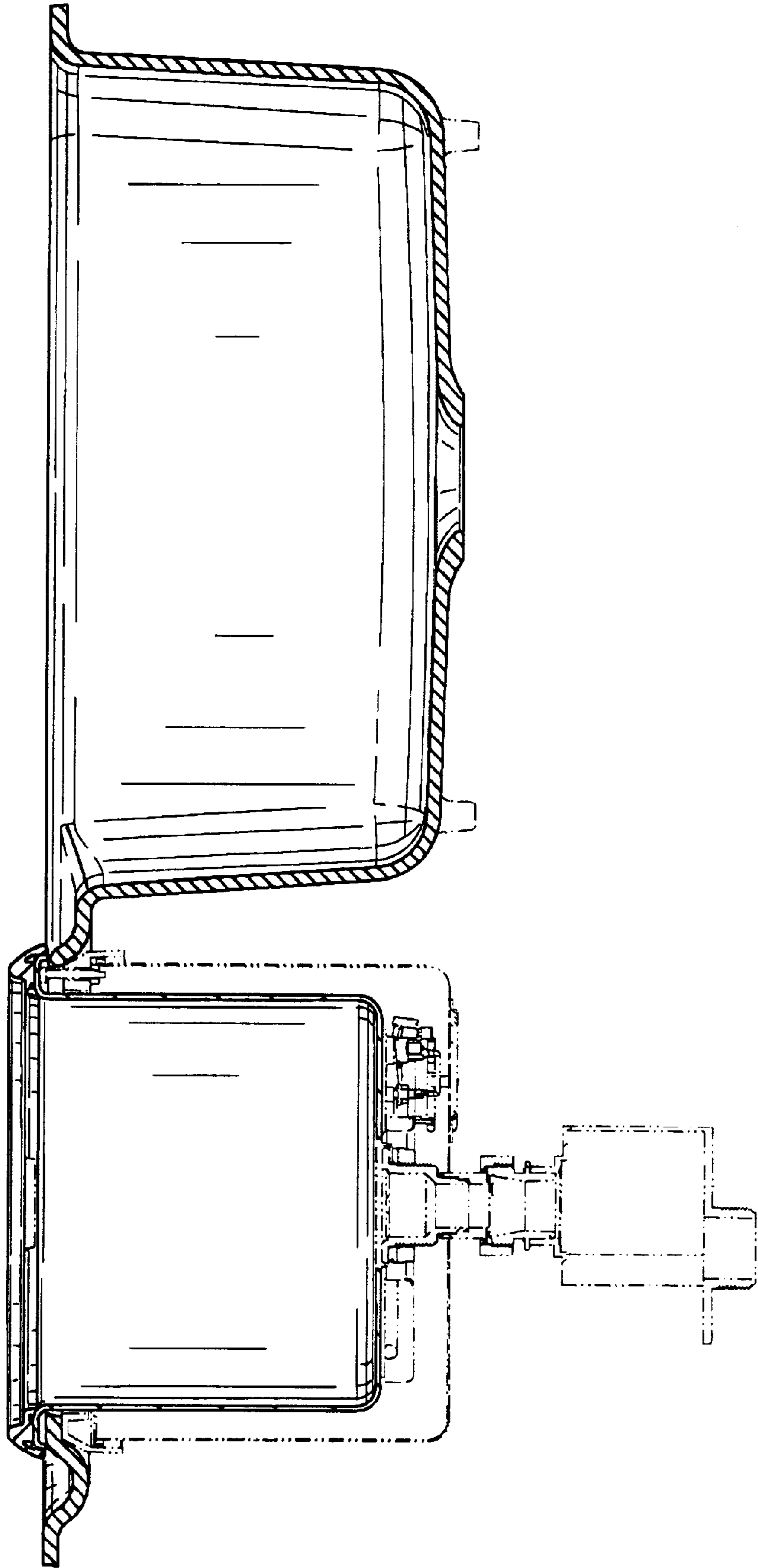


FIG. 14

FIG. 15



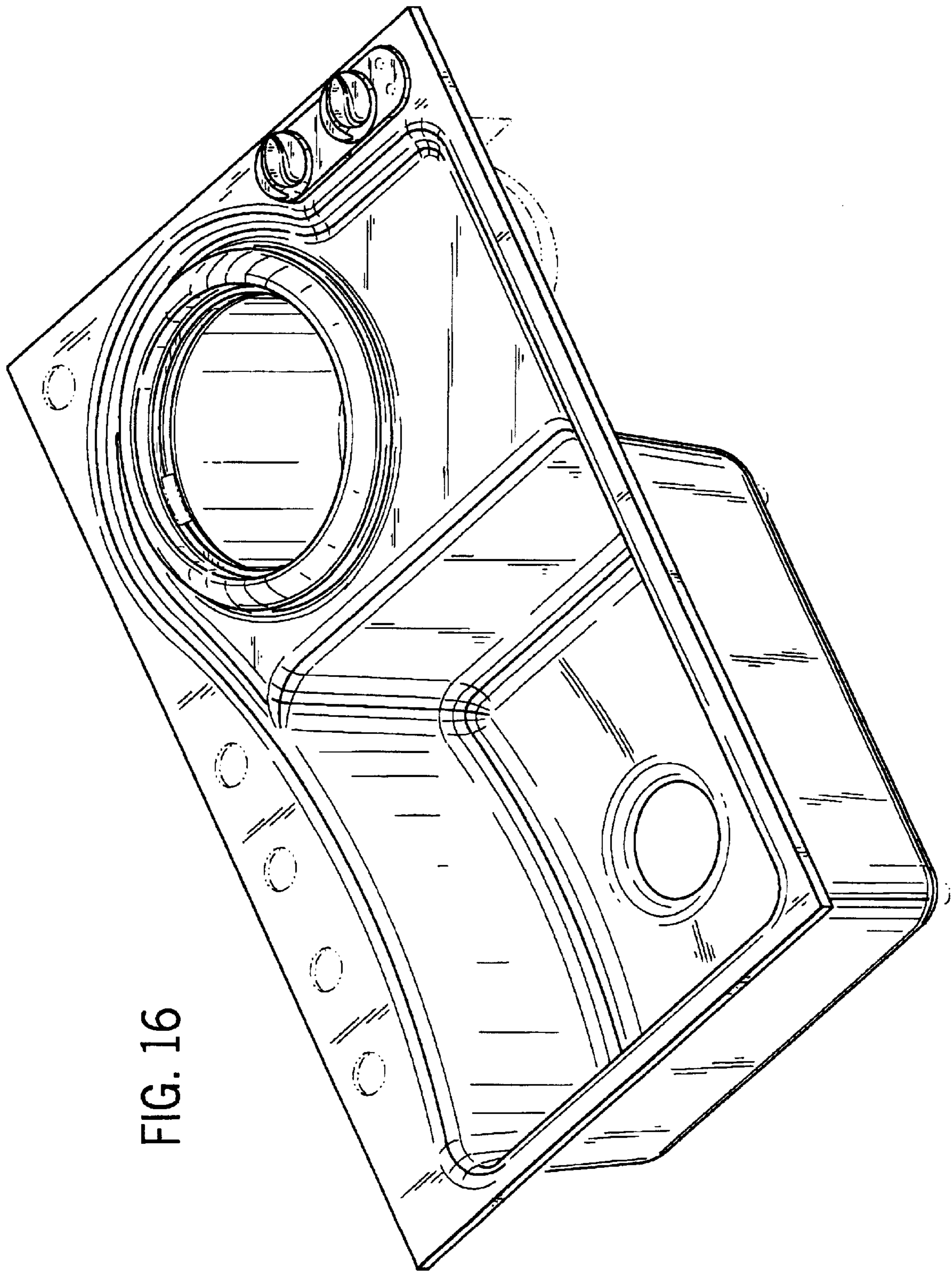


FIG. 16