



US00D421102S

United States Patent [19]
Barnett

[11] **Patent Number: Des. 421,102**

[45] **Date of Patent: ** Feb. 22, 2000**

[54] **DRAIN CONSTRUCTION**

4,126,404 11/1978 Ferns 404/4

[76] Inventor: **Ralph L. Barnett**, 5950 W. Touhy Ave., Niles, Ill. 60714-4610

Primary Examiner—Alan P. Douglas
Assistant Examiner—Reid Hecker
Attorney, Agent, or Firm—Jack Shore

[**] Term: **14 Years**

[57] **CLAIM**

[21] Appl. No.: **29/101,296**

The ornamental design for a drain construction, as shown and described.

[22] Filed: **Feb. 26, 1999**

[51] **LOC (7) Cl.** **23-01**

[52] **U.S. Cl.** **D23/261**

[58] **Field of Search** D25/53, 142, 153,
D25/154, 155, 157; D32/56; D23/260, 261;
4/286, 292, 507, 650, 679; 210/163, 164;
404/2, 3, 4

DESCRIPTION

FIG. 1 is a perspective view of a drain construction showing my new design;

FIG. 2 is a top view thereof;

FIG. 3 is a bottom view thereof; and,

FIG. 4 is a cross-sectional view taken along line 4—4 in FIG. 2.

The broken line showing of environment is for illustrative purposes only and forms no part of the claimed design.

[56] **References Cited**

U.S. PATENT DOCUMENTS

1,577,464 3/1926 High 210/164
1,914,780 6/1933 Lichamer 4/679

1 Claim, 1 Drawing Sheet

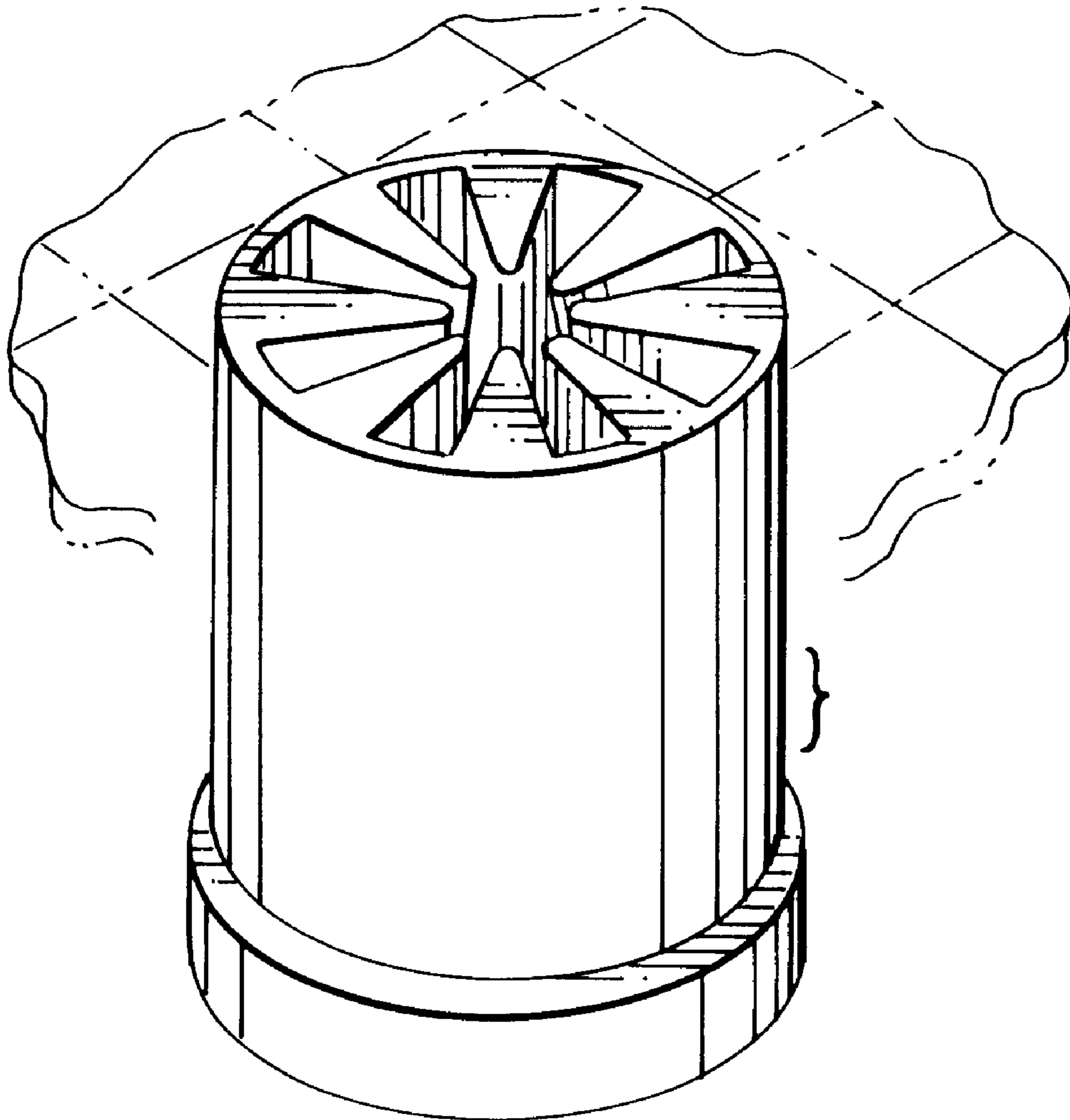


FIG. 1

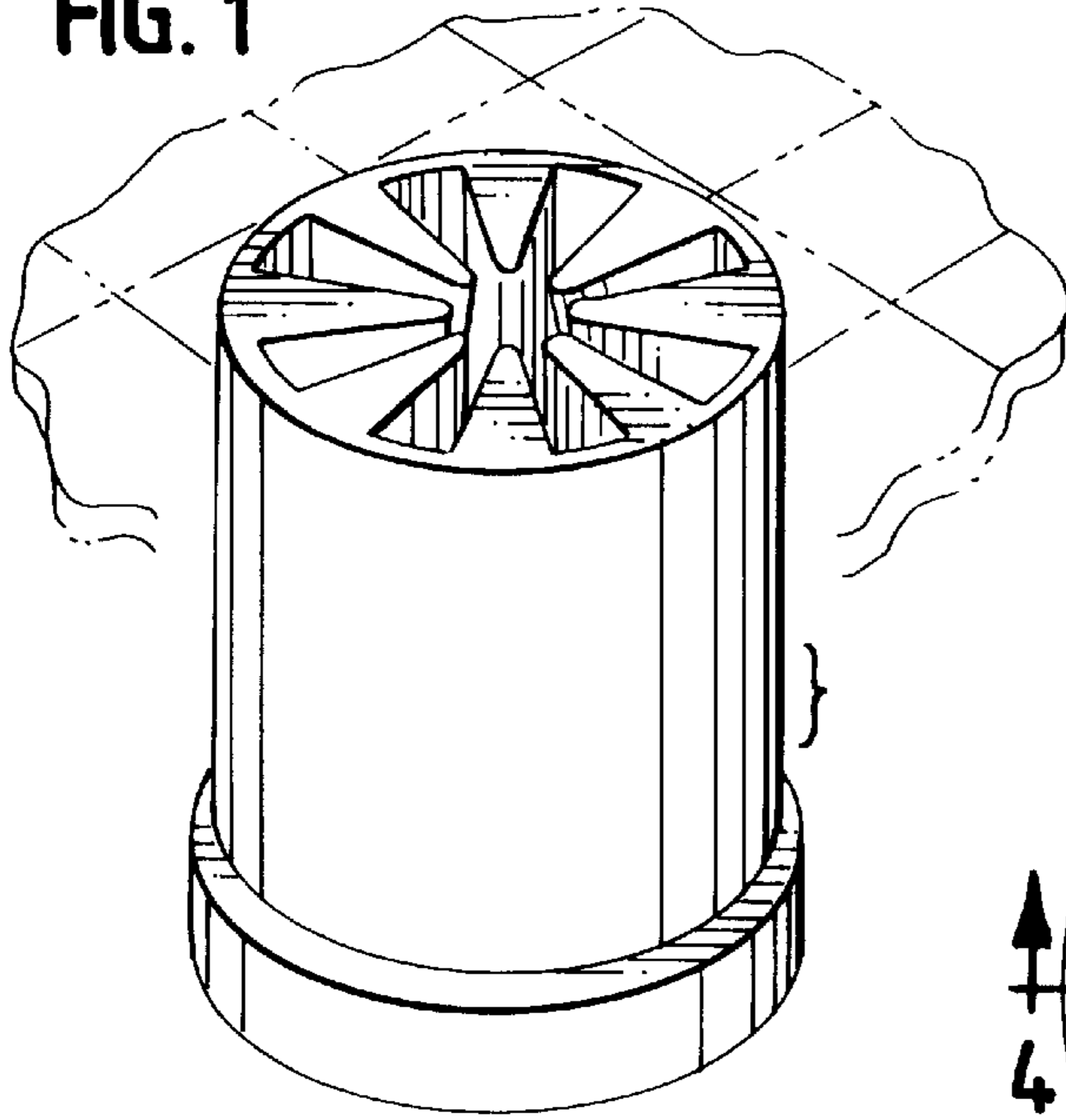


FIG. 2

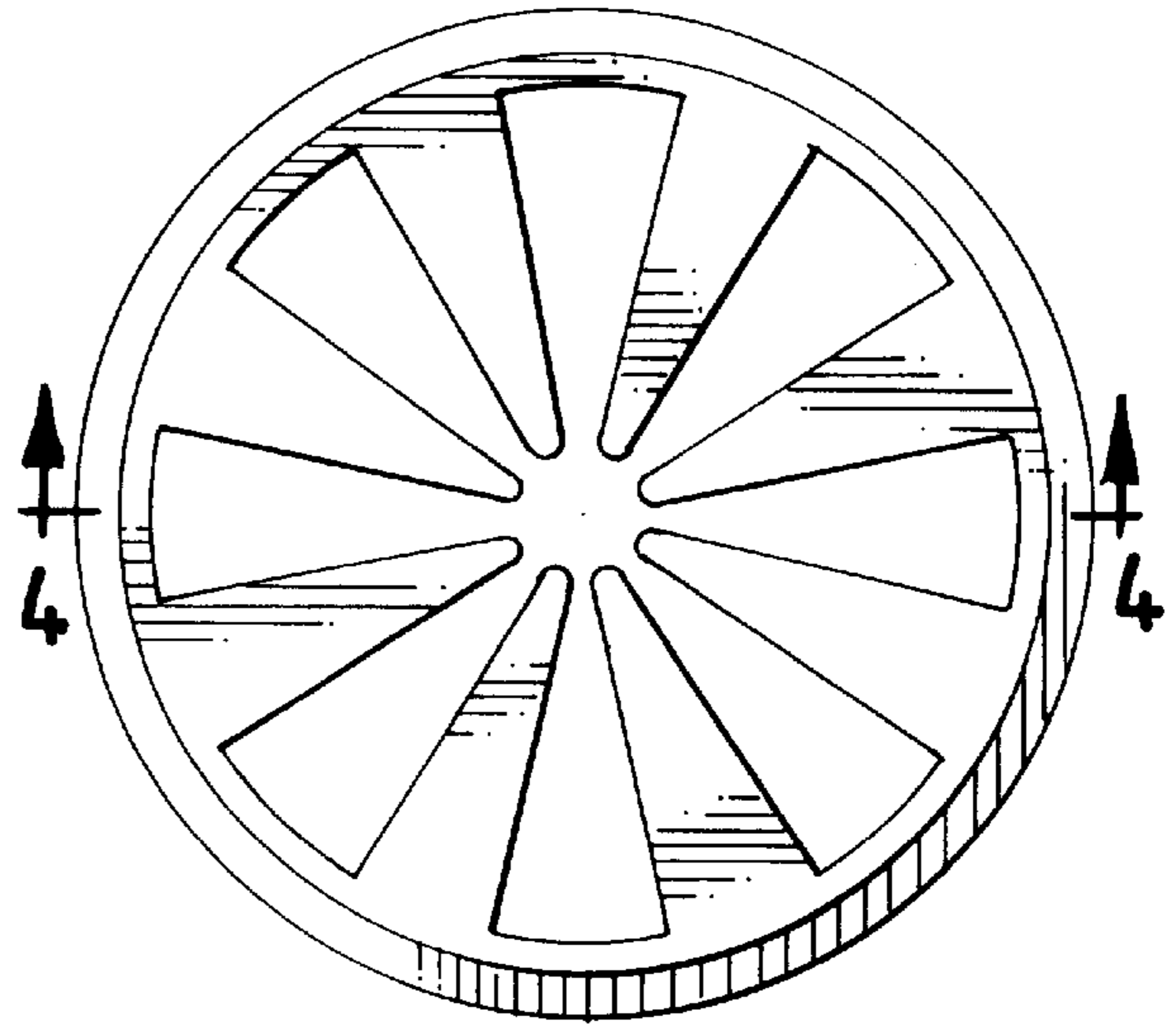


FIG. 3

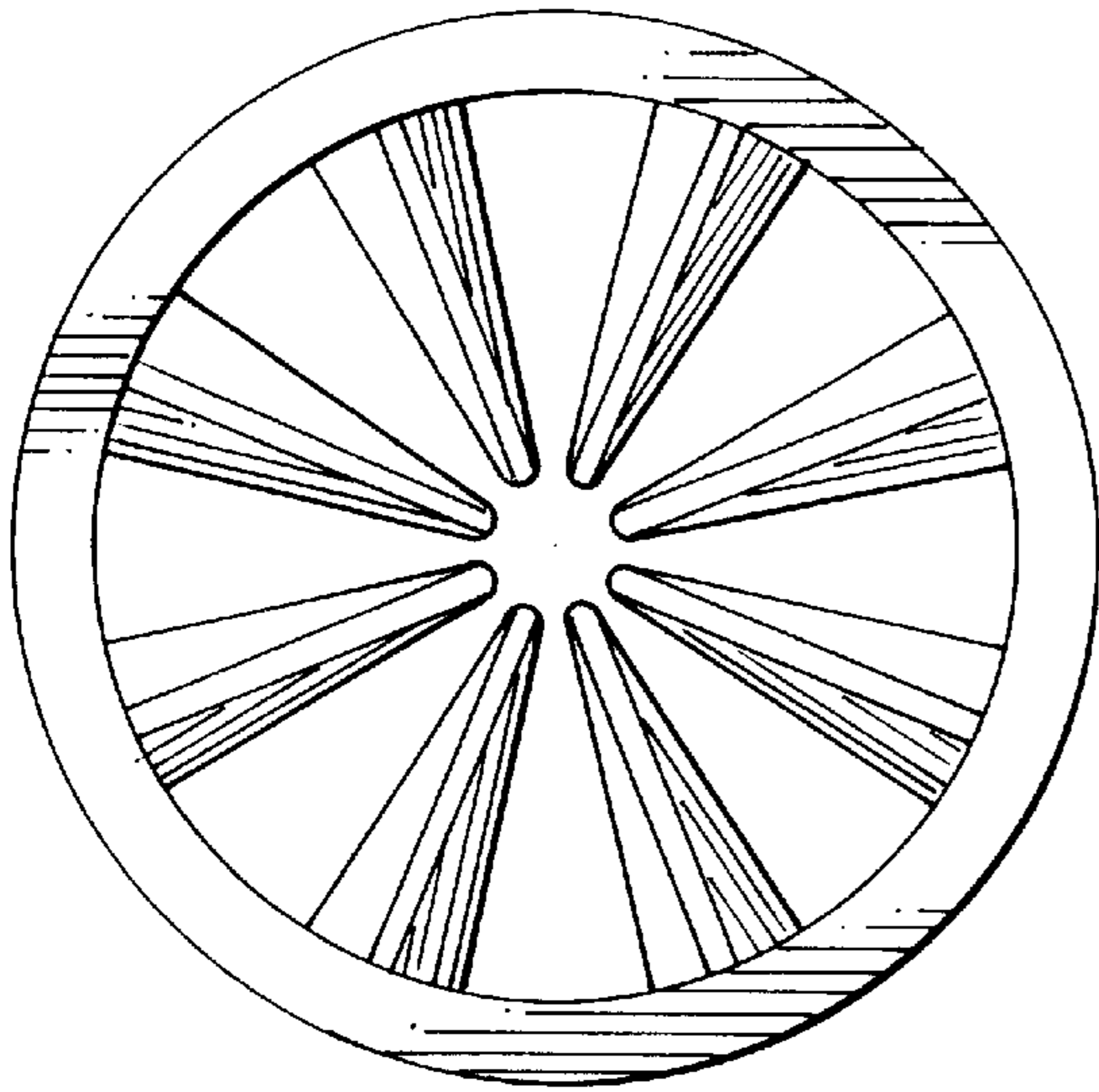


FIG. 4

