



US00D421100S

**United States Patent** [19]  
**Green et al.**

[11] **Patent Number: Des. 421,100**

[45] **Date of Patent: \*\* Feb. 22, 2000**

[54] **TUB SPOUT**

[75] Inventors: **Eric D. Green**, Cleveland Heights;  
**Eduardo Milrud**, Chagrin Falls;  
**Vincent Haley**, Orrville, all of Ohio

[73] Assignee: **Moen Incorporated**, North Olmsted, Ohio

[\*\*] Term: **14 Years**

[21] Appl. No.: **29/100,633**

[22] Filed: **Feb. 16, 1999**

[51] **LOC (7) Cl.** ..... **23-01**

[52] **U.S. Cl.** ..... **D23/255**

[58] **Field of Search** ..... D23/238-243,  
D23/250-257; 4/675-678; 137/801

- D. 316,895 5/1991 Hill et al. .... D23/255
- D. 317,350 6/1991 Freed .
- D. 353,877 12/1994 Rogers ..... D23/255
- D. 366,100 1/1996 Doughty et al. .... D23/255
- D. 373,407 9/1996 Macek et al. .... D23/255
- D. 389,561 1/1998 Horge ..... D23/255

*Primary Examiner*—Doris Clark  
*Assistant Examiner*—Eric Watterson  
*Attorney, Agent, or Firm*—Dorn, McEachran, Jambor & Keating

[57] **CLAIM**

The ornamental design for a tub spout, as shown and described.

**DESCRIPTION**

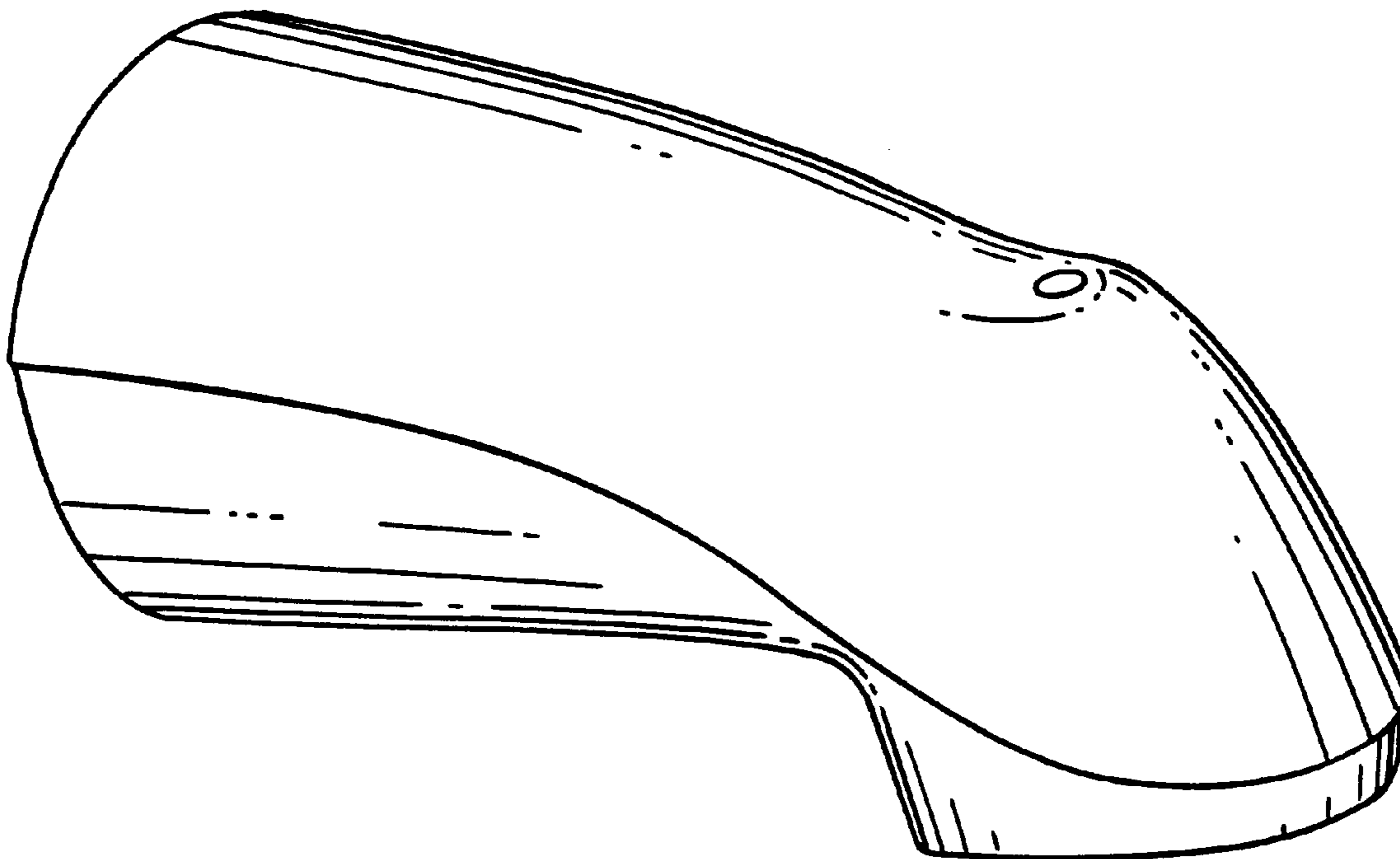
FIG. 1 is a front perspective view of a tub spout showing our new design;  
FIG. 2 is a left side view thereof, with the right side view being a mirror image;  
FIG. 3 is a top view thereof;  
FIG. 4 is a front view thereof;  
FIG. 5 is a rear view thereof; and,  
FIG. 6 is a bottom view thereof.

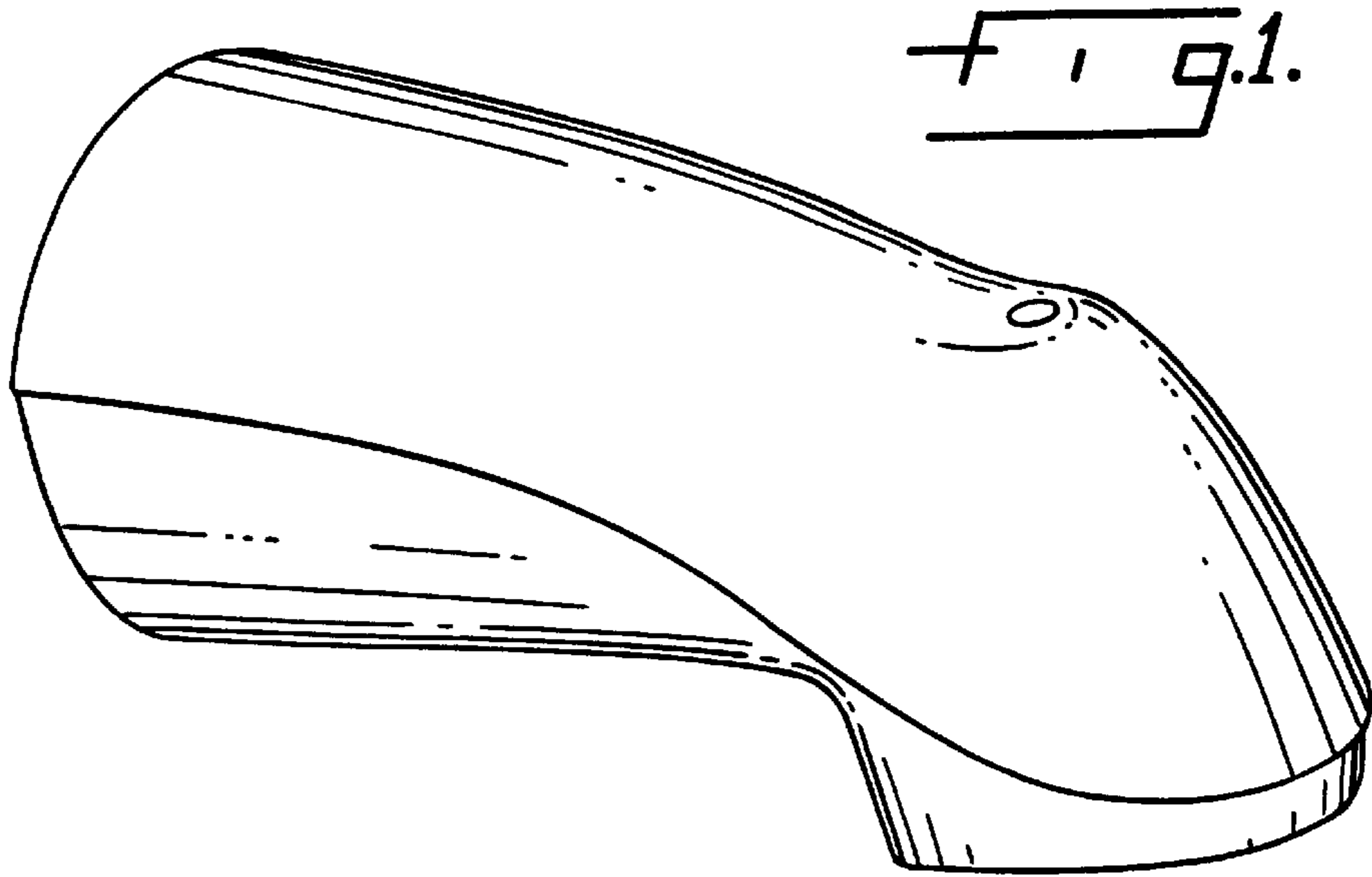
[56] **References Cited**

**U.S. PATENT DOCUMENTS**

- D. 218,034 7/1970 Mongerson et al. .
- D. 261,027 9/1981 Klose ..... D23/255
- D. 291,116 7/1987 Haug et al. .... D23/255
- D. 295,066 4/1988 Fabian ..... D23/255
- D. 295,664 5/1988 Kohler, Jr. et al. .
- D. 296,235 6/1988 Schmitz .

**1 Claim, 2 Drawing Sheets**





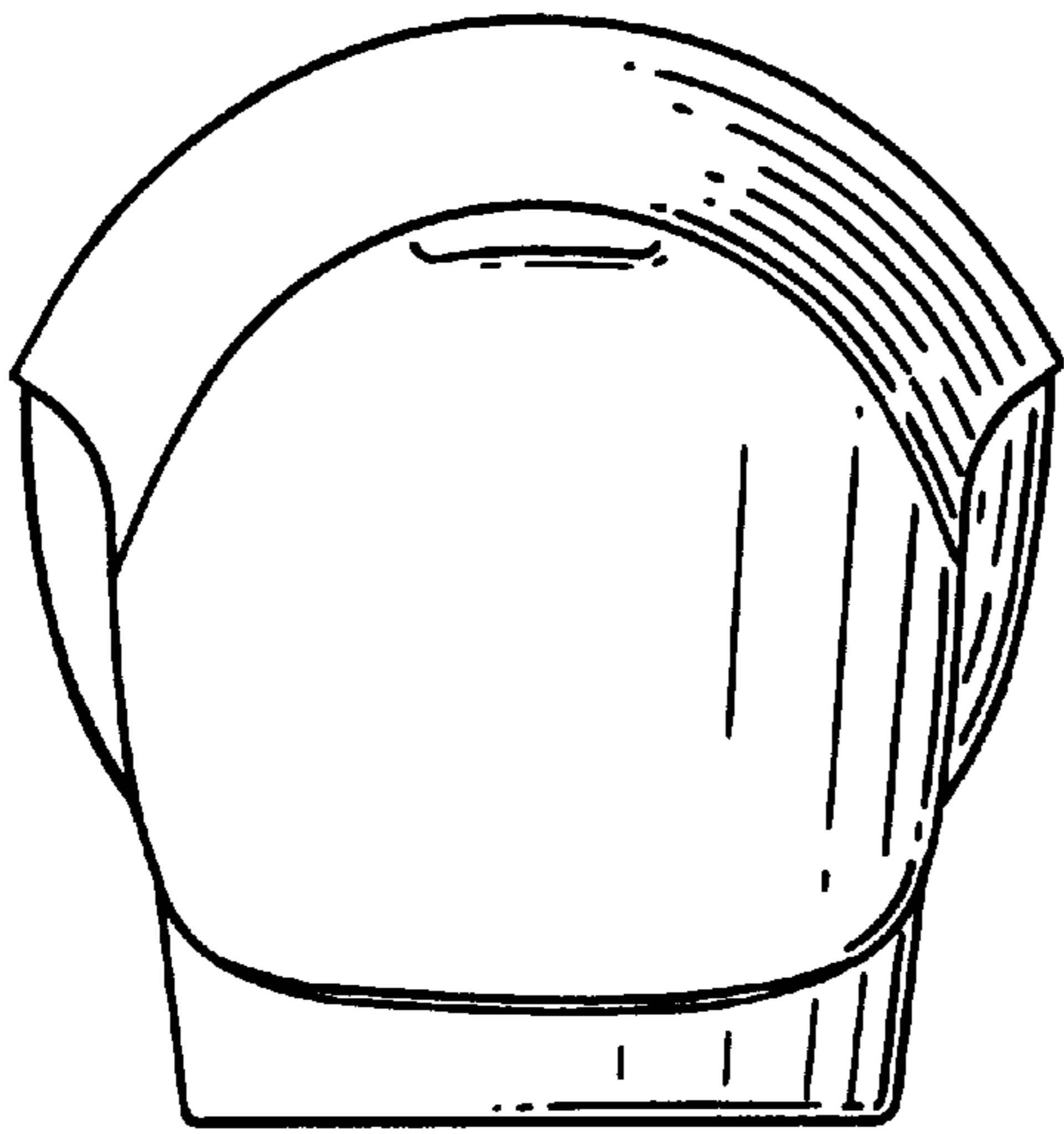


Fig. 4.

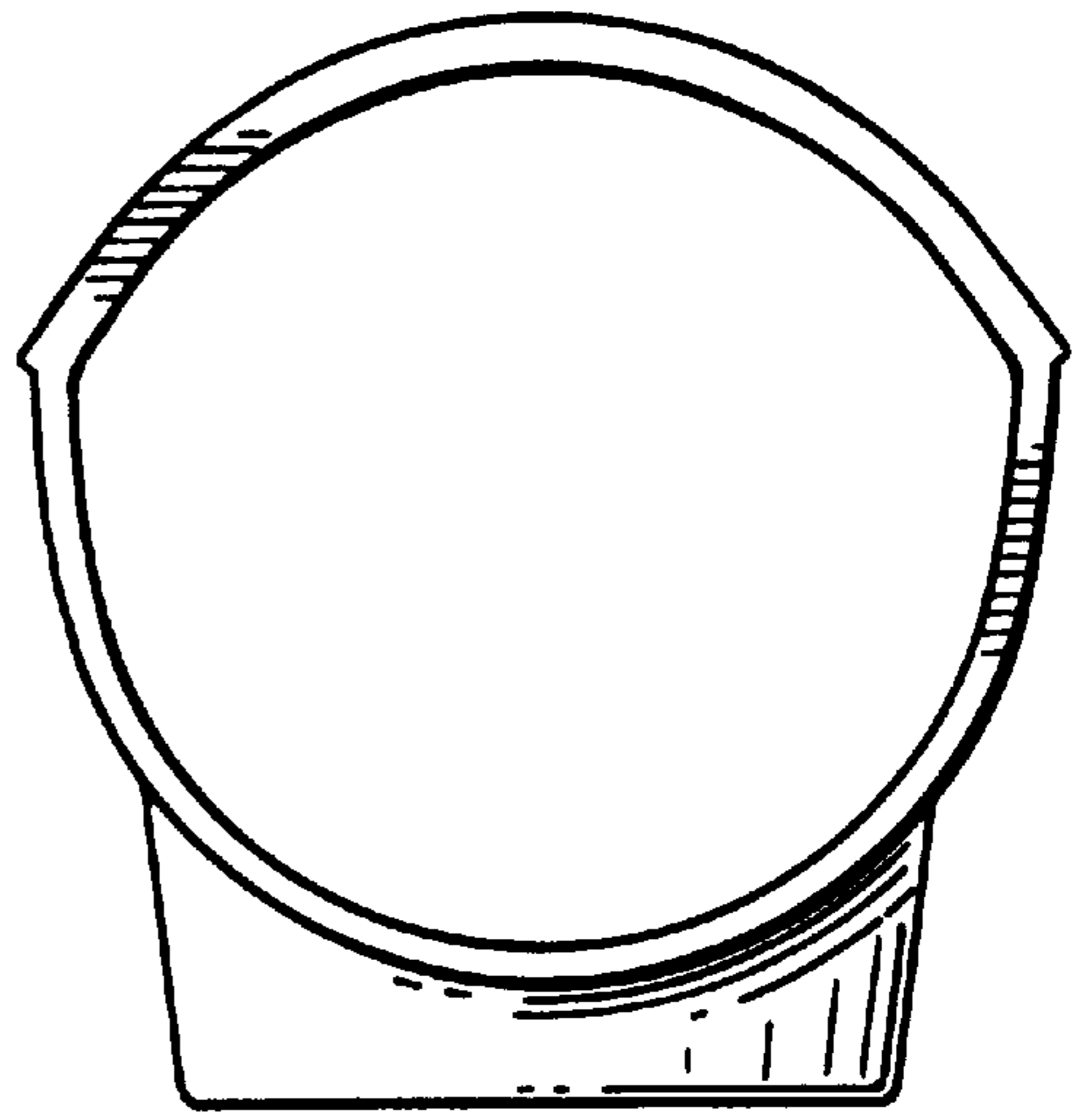


Fig. 5.

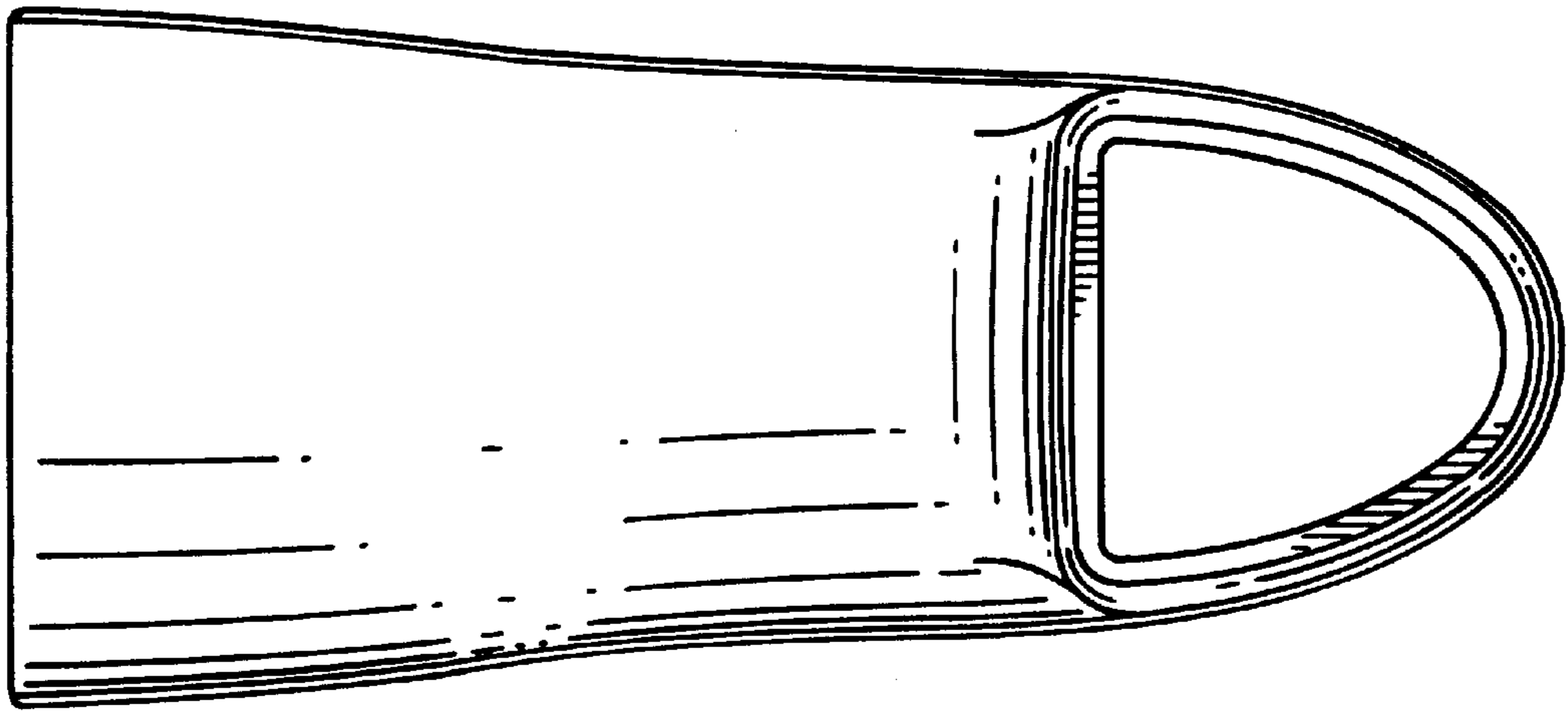


Fig. 6.