



US00D421099S

# United States Patent [19]

[11] **Patent Number: Des. 421,099**

**Müllenmeister**

[45] **Date of Patent: \*\* Feb. 22, 2000**

[54] **COMBINED WALL MOUNT SINGLE LEVER FAUCET HANDLE AND ESCUTCHEON**

D. 363,765	10/1995	Starck	.....	D23/254
D. 373,180	8/1996	Gottwald	.....	D23/254
D. 393,895	4/1998	Gottwald	.....	D23/254
D. 397,771	9/1998	Lobermeier	.....	D23/254
D. 402,009	12/1998	Gottwald	.....	D23/254
D. 406,879	3/1999	Powell et al.	.....	D23/254
D. 409,290	5/1999	Gottwald	.....	D23/254

[75] Inventor: **Daniel Müllenmeister**, Havixbeck, Germany

[73] Assignee: **Friedrich Grohe AG**, Hemer, Germany

[\*] Notice: This patent is subject to a terminal disclaimer.

*Primary Examiner*—Eric Watterson  
*Attorney, Agent, or Firm*—Herbert Dubno

[\*\*] Term: **14 Years**

### [57] CLAIM

[21] Appl. No.: **29/105,045**

The ornamental design for a combined wall mount single lever faucet handle and escutcheon, shown and described.

[22] Filed: **May 17, 1999**

### DESCRIPTION

#### [30] Foreign Application Priority Data

Dec. 18, 1998 [DE] Germany ..... 498 12 219

FIG. 1 is a top, front, left-side perspective view of a combined wall mount single lever faucet handle and escutcheon showing my new design;  
FIG. 2 is a bottom-plan view thereof;  
FIG. 3 is a left side-elevation view thereof, the right side being mirror symmetrical thereto;  
FIG. 4 is a front elevational view thereof;  
FIG. 5 is a top view thereof; and  
FIG. 6 is a rear view thereof.

[51] **LOC (7) Cl.** ..... **23-01**

[52] **U.S. Cl.** ..... **D23/254**

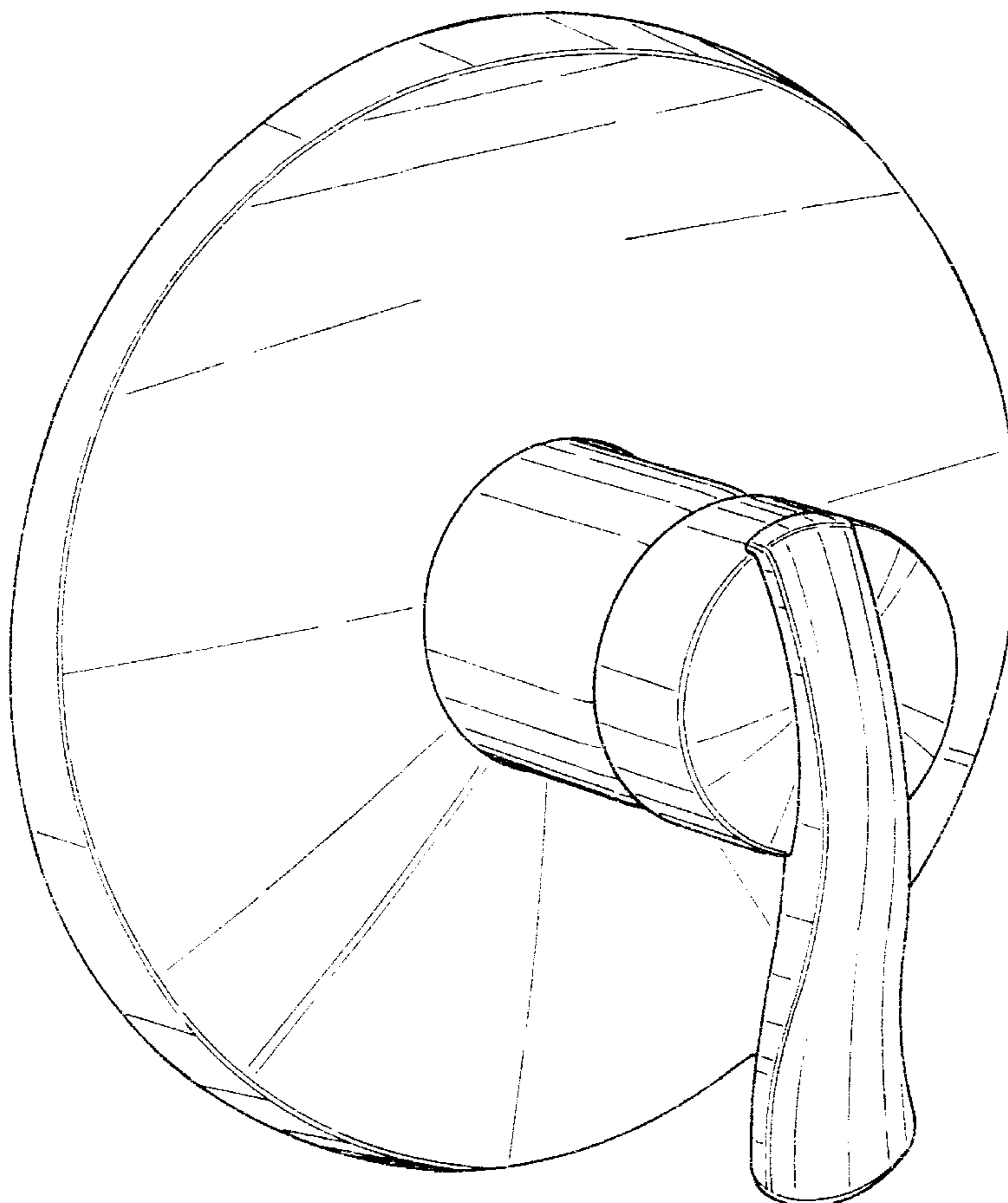
[58] **Field of Search** ..... D23/238-243,  
D23/250-257; 4/675-678; 137/881

#### [56] References Cited

##### U.S. PATENT DOCUMENTS

D. 339,630 9/1993 Gottwald ..... D23/254

**1 Claim, 3 Drawing Sheets**



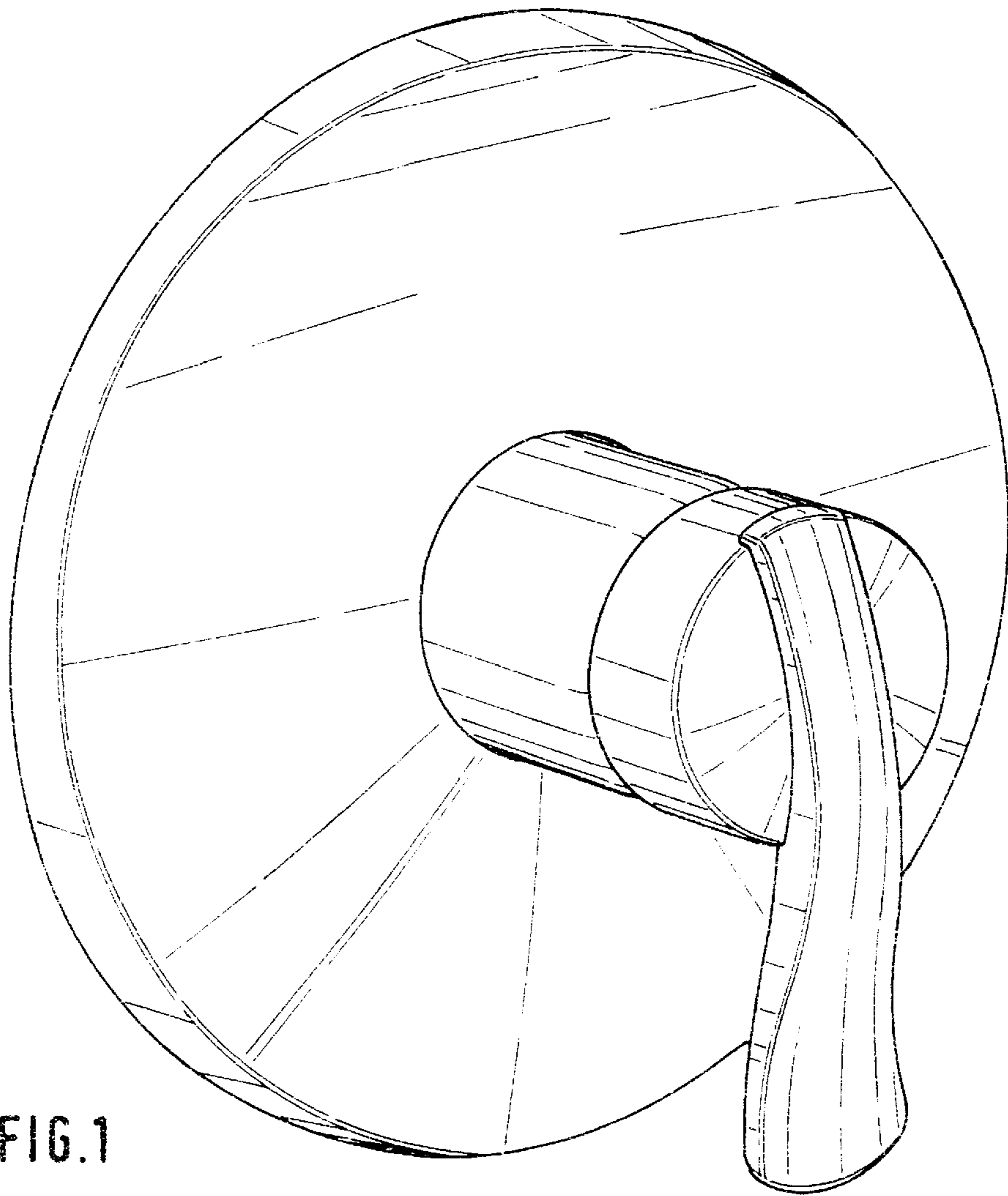


FIG. 1

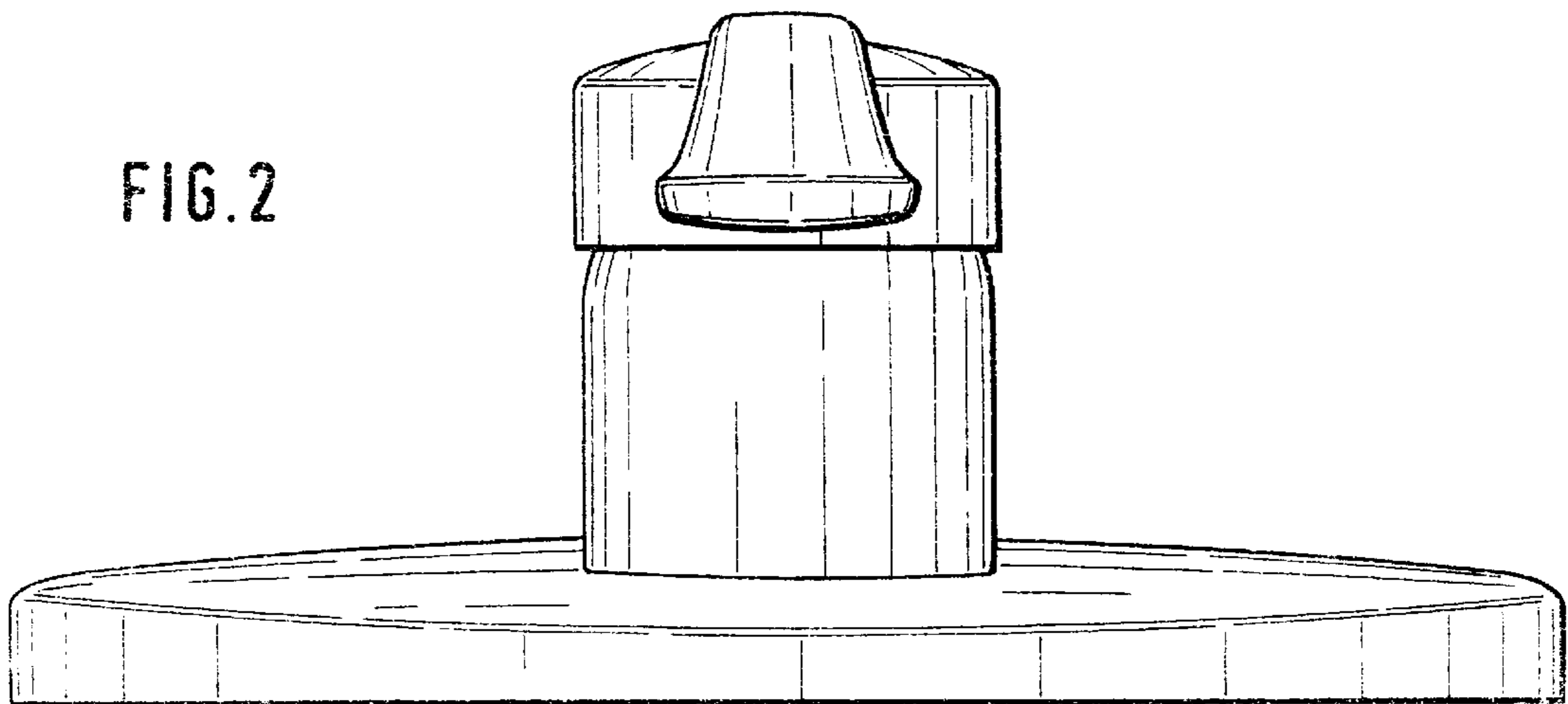


FIG. 2

FIG. 4

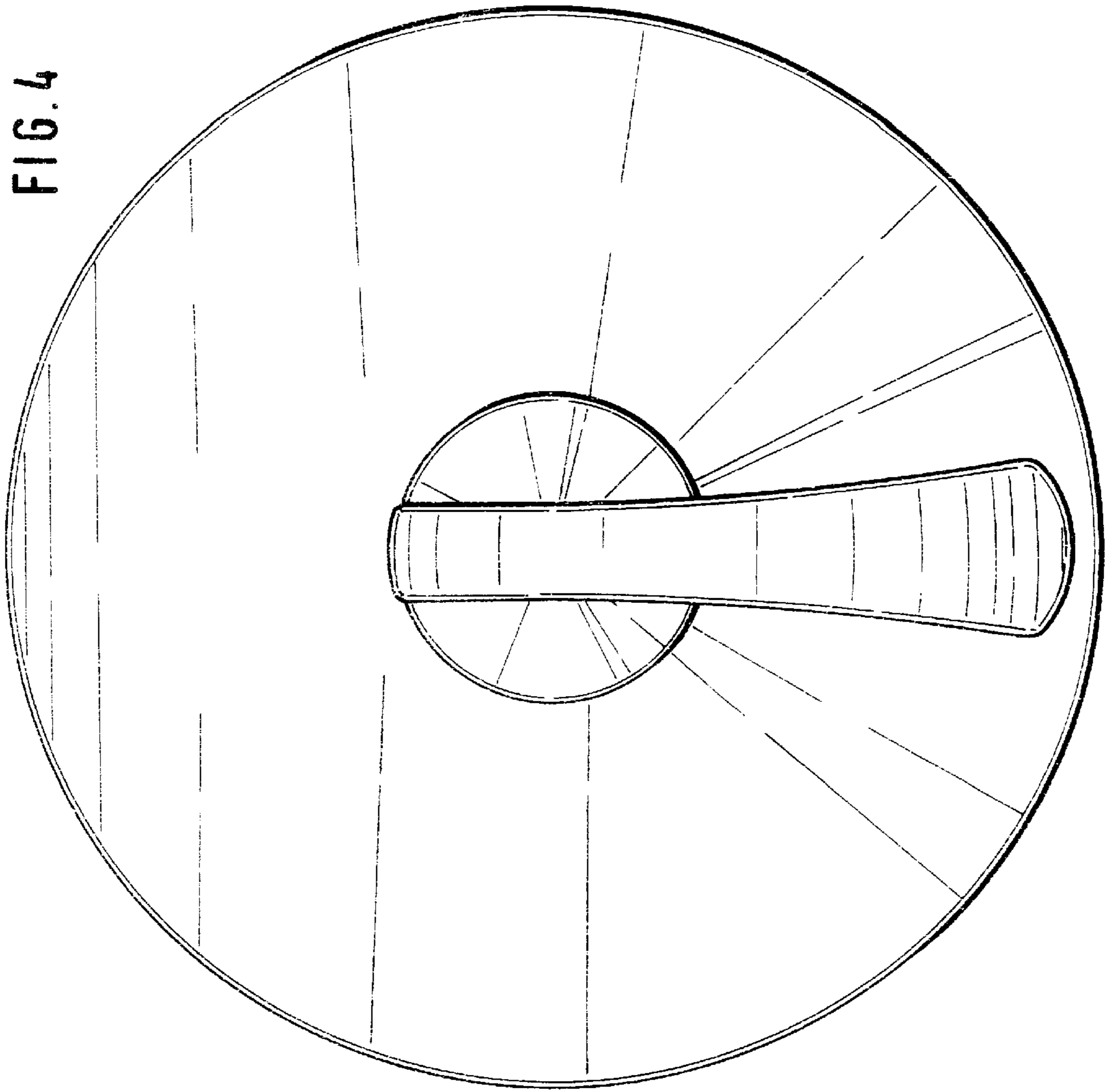


FIG. 3

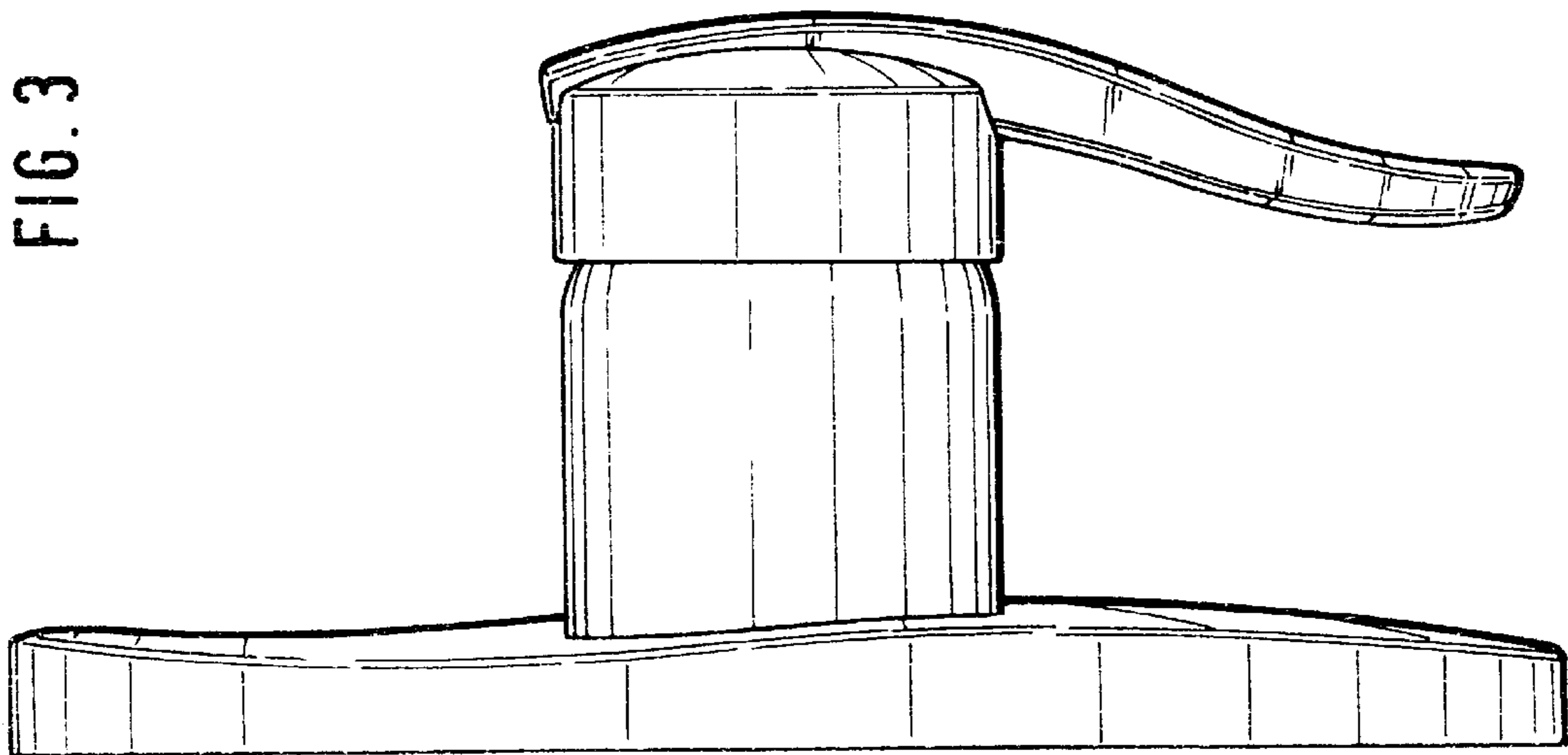


FIG. 5

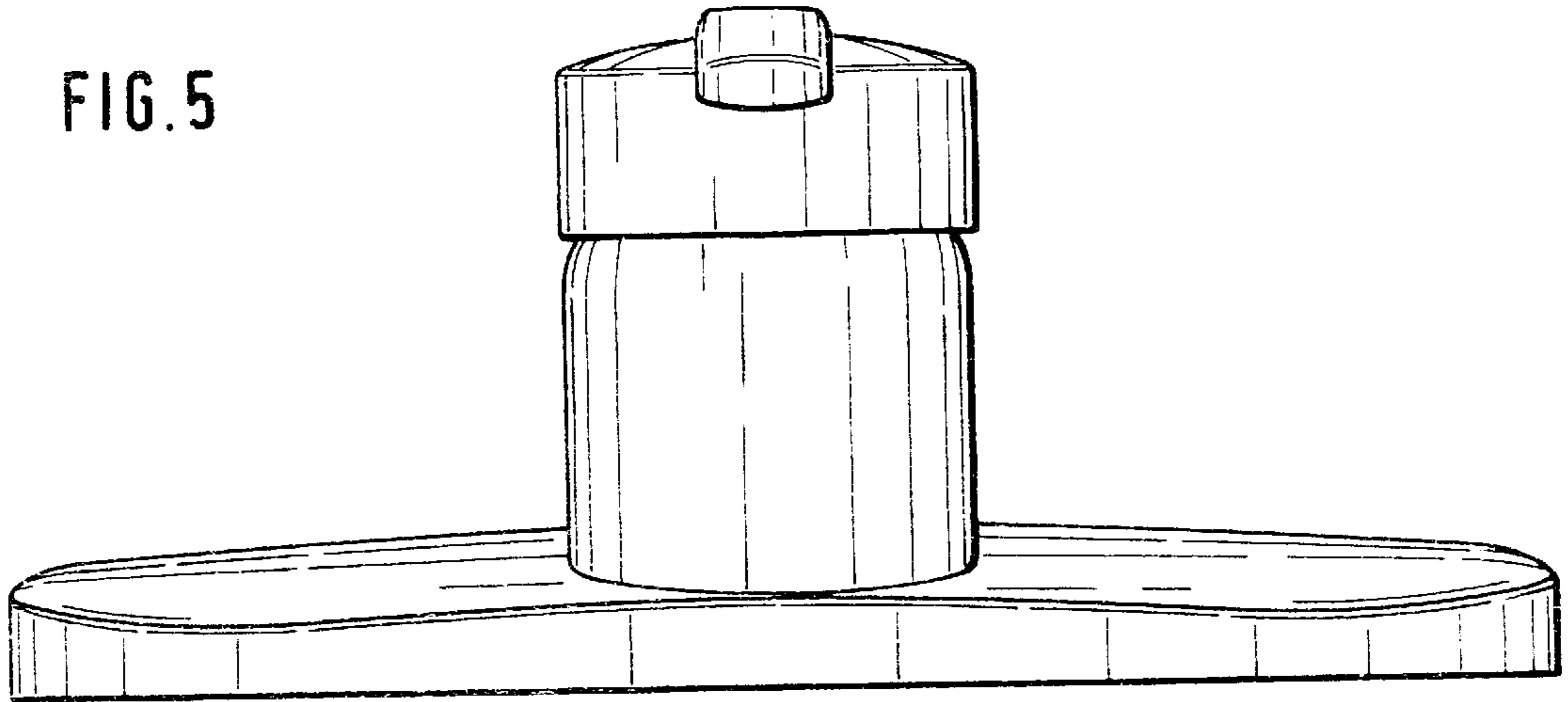


FIG. 6

