



US00D421098S

United States Patent [19]

Wrigley et al.

[11] Patent Number: **Des. 421,098**

[45] Date of Patent: **** Feb. 22, 2000**

[54] **CONNECTOR FOR A VALVE ASSEMBLY**

[75] Inventors: **Andrew Nicholson Wrigley; Vaughan Lyall Bycroft**, both of Auckland, New Zealand

[73] Assignee: **ITW New Zealand Limited**, New Zealand

[**] Term: **14 Years**

[21] Appl. No.: **29/088,121**

[22] Filed: **May 14, 1998**

[30] **Foreign Application Priority Data**

Nov. 14, 1997 [NZ] New Zealand 28953

[51] **LOC (7) Cl.** **23-01**

[52] **U.S. Cl.** **D23/249; D23/260**

[58] **Field of Search** D23/233-237, D23/260-269; 95/82, 85, 86, 88; 137/515.5; 74/505; 128/207.16

[56] **References Cited**

U.S. PATENT DOCUMENTS

- D. 314,233 1/1991 Medvick D23/262
- D. 315,400 3/1991 Medvick D23/262
- D. 359,797 6/1995 Saito D23/262

- D. 377,969 2/1997 Grantham D23/262
- D. 384,731 10/1997 Ramacier, Jr. et al. D23/262
- D. 387,146 12/1997 Morrison D23/262
- D. 392,722 3/1998 Kurz D23/262
- D. 399,008 9/1998 Thomas D24/232
- 4,416,273 11/1983 Grimes 128/207.16
- 5,381,706 1/1995 Yanusko et al. 74/505
- 5,595,213 1/1997 Brown 137/515.5

Primary Examiner—Eric Watterson
Attorney, Agent, or Firm—Brown, Martin, Haller & McClain, LLP

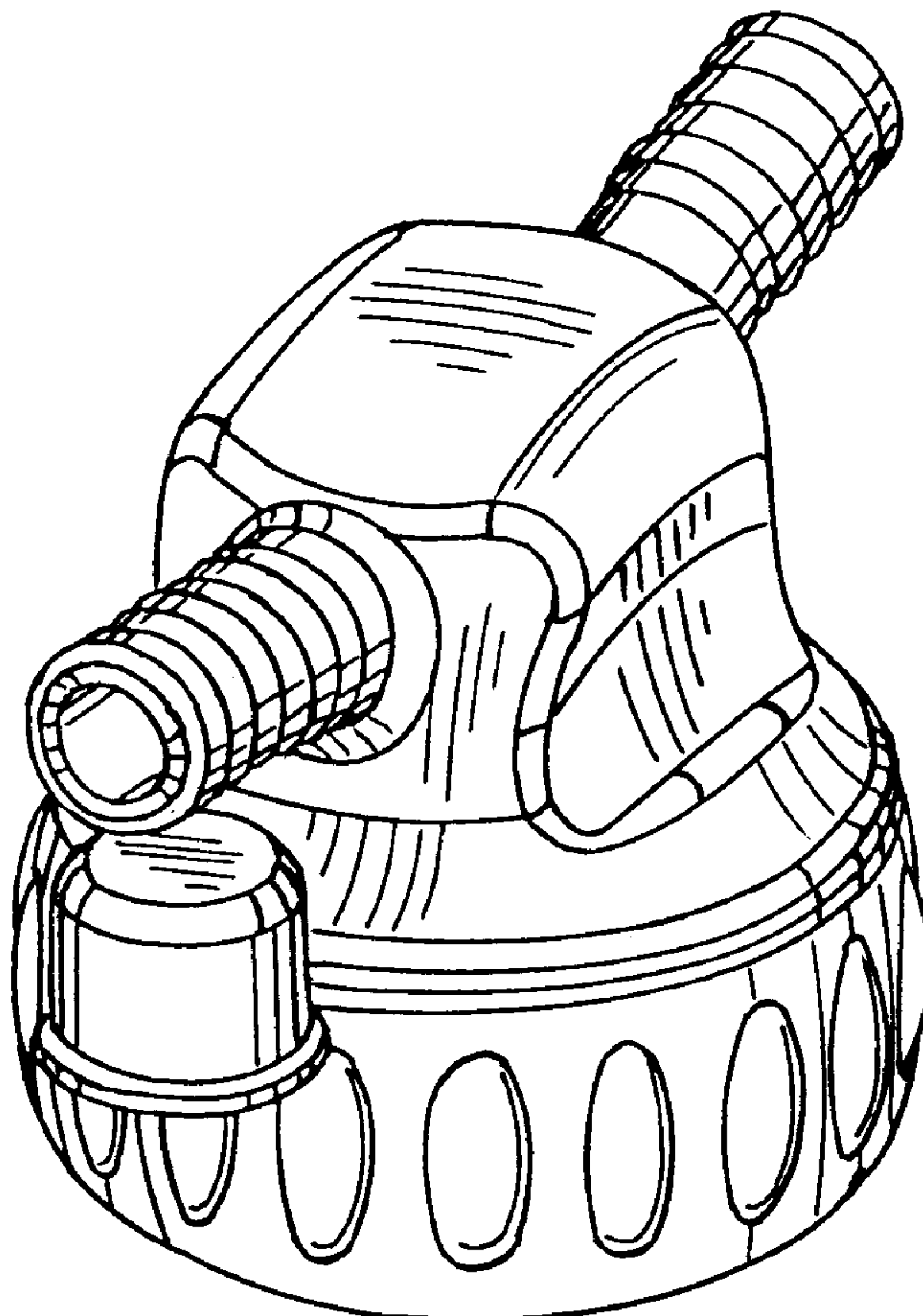
[57] **CLAIM**

The ornamental design for a connector for a valve assembly, as shown and described.

DESCRIPTION

FIG. 1 is a top perspective view of a connector for a valve assembly, showing my new design;
FIG. 2 is a perspective view from below thereof;
FIG. 3 is a top plan view thereof;
FIG. 4 is a bottom plan view thereof;
FIG. 5 is a rear elevational view thereof;
FIG. 6 is a front elevational view thereof;
FIG. 7 is side elevational view thereof; and,
FIG. 8 is a side elevational view from the opposite side thereof.

1 Claim, 2 Drawing Sheets



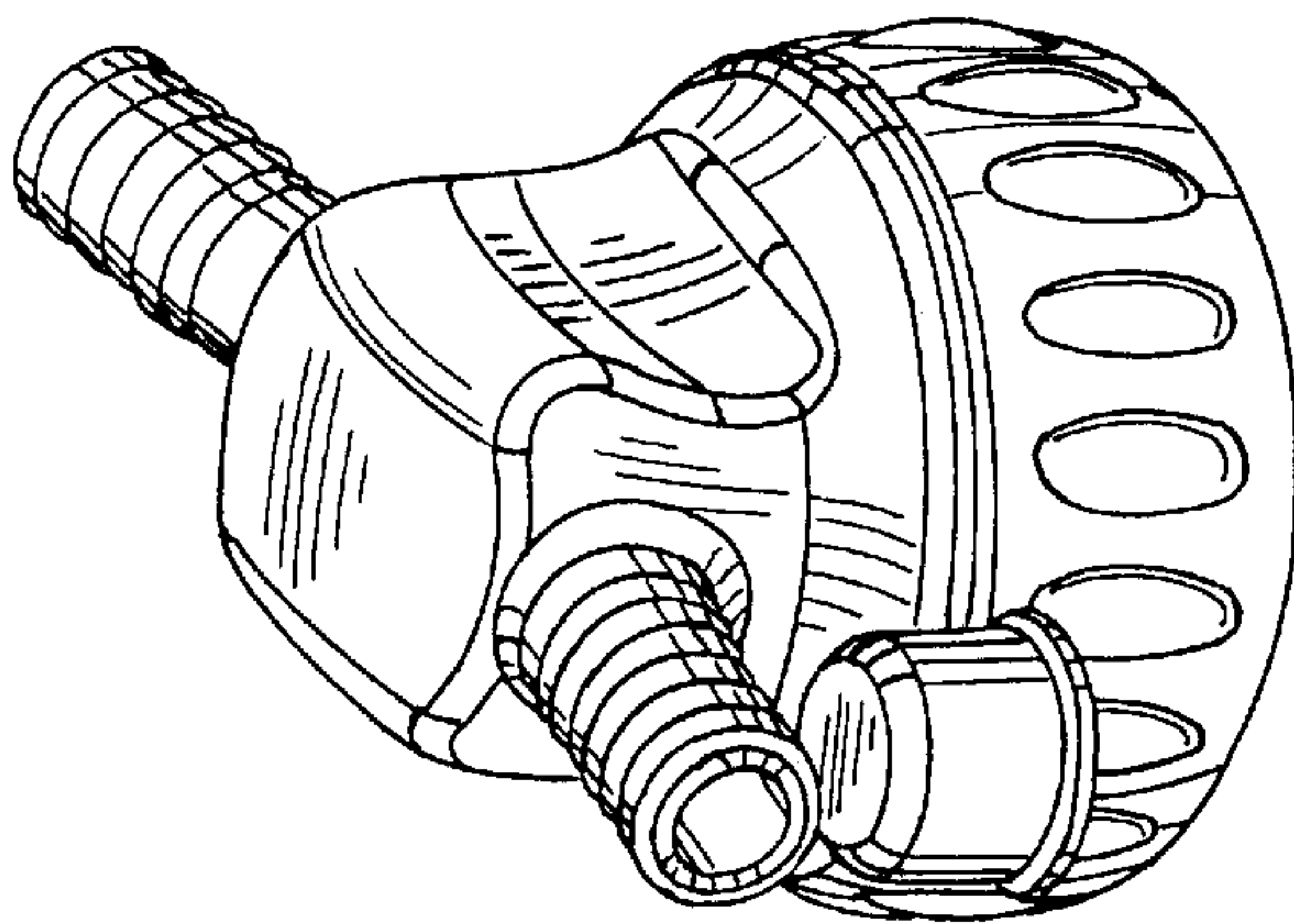


FIG. 1

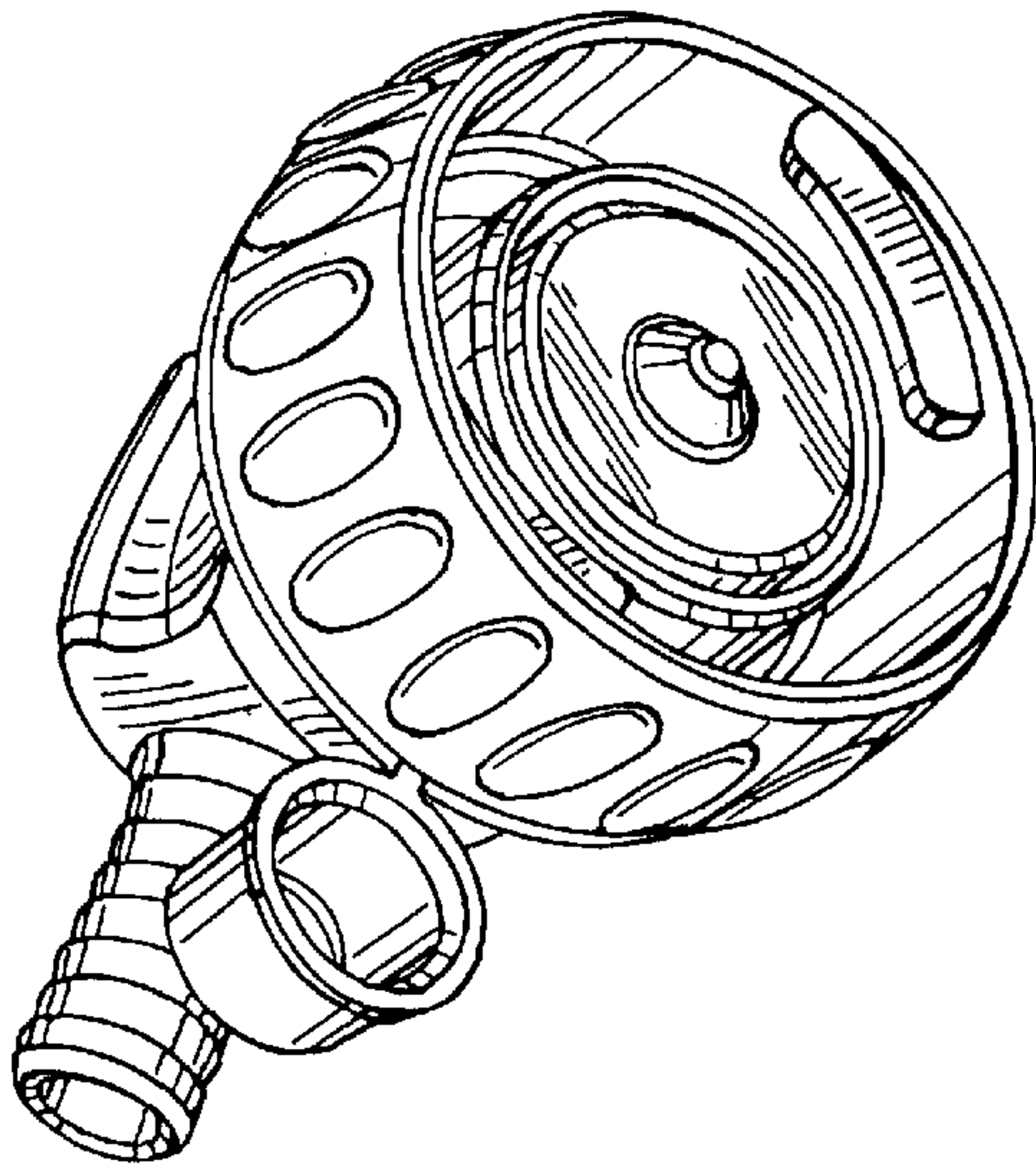


FIG. 2

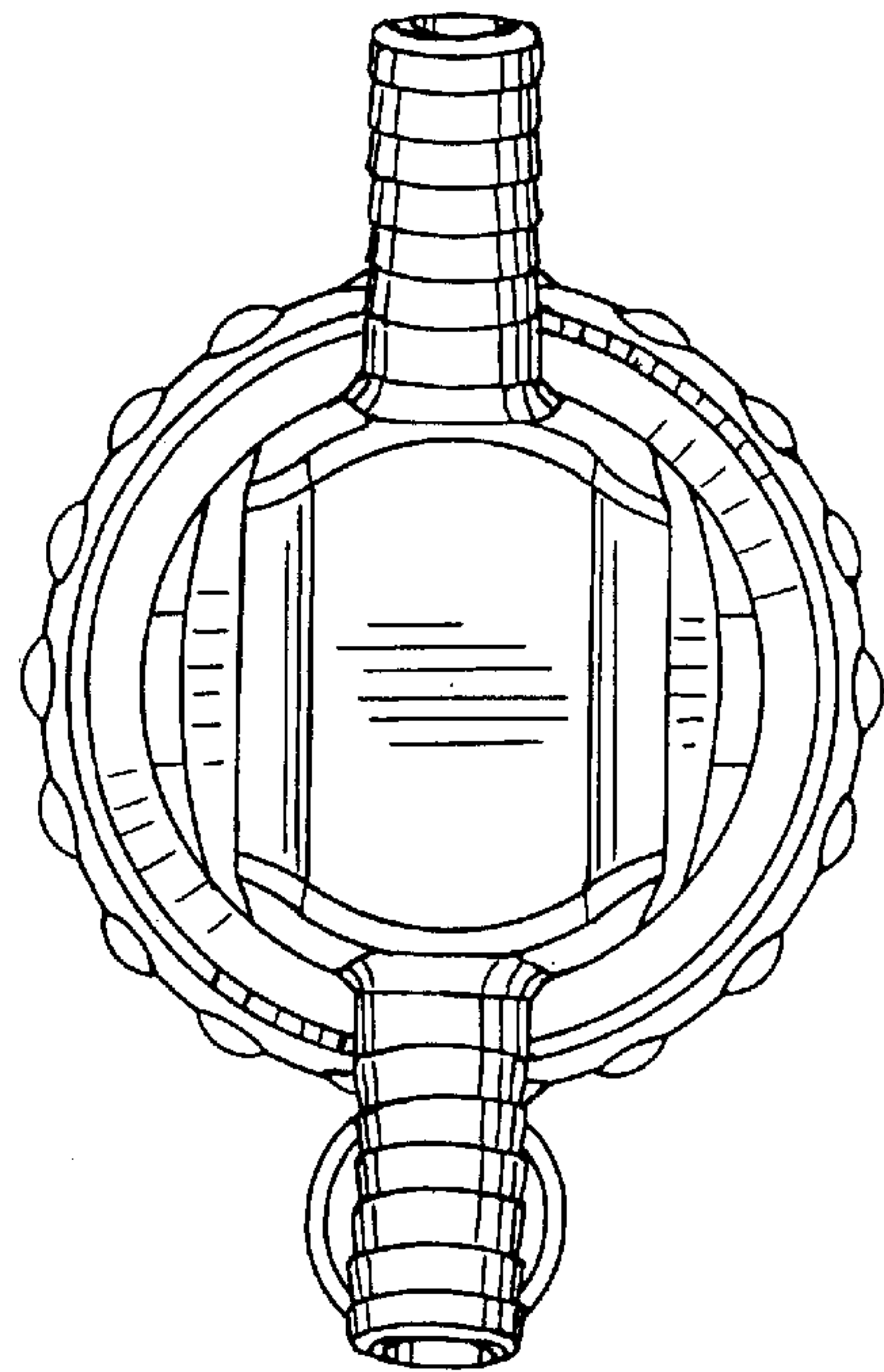


FIG. 3

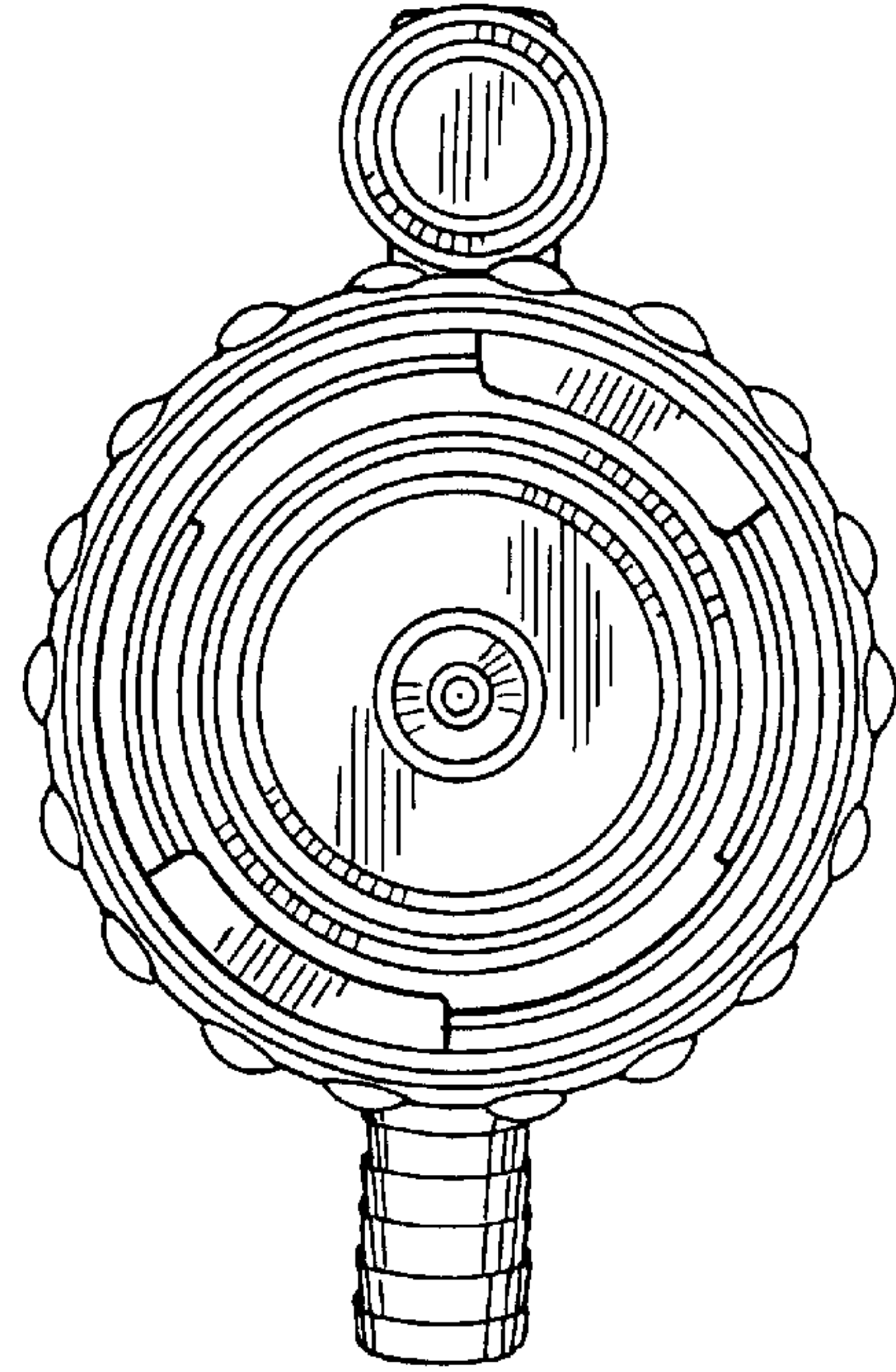


FIG. 4

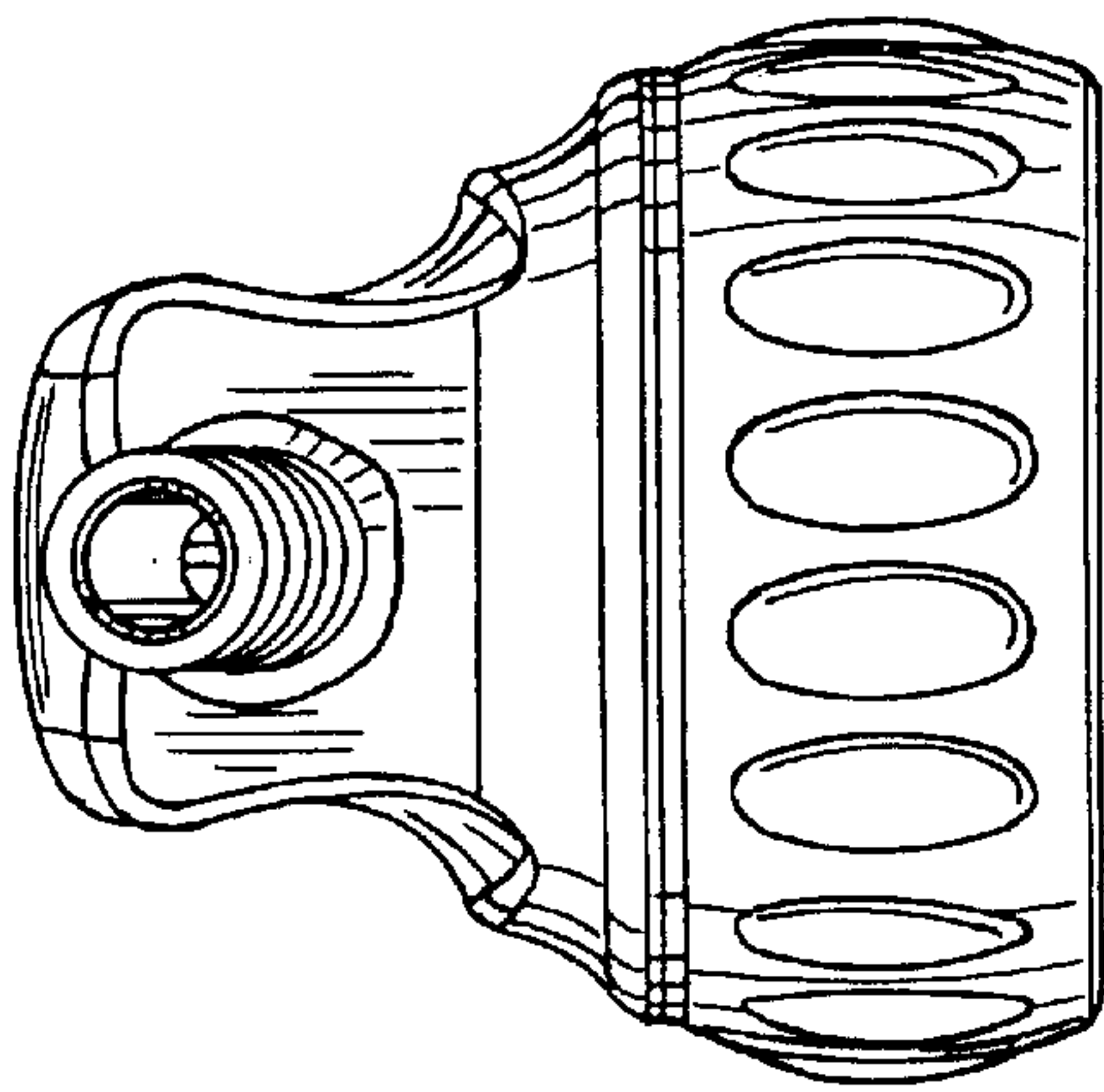


FIG. 5

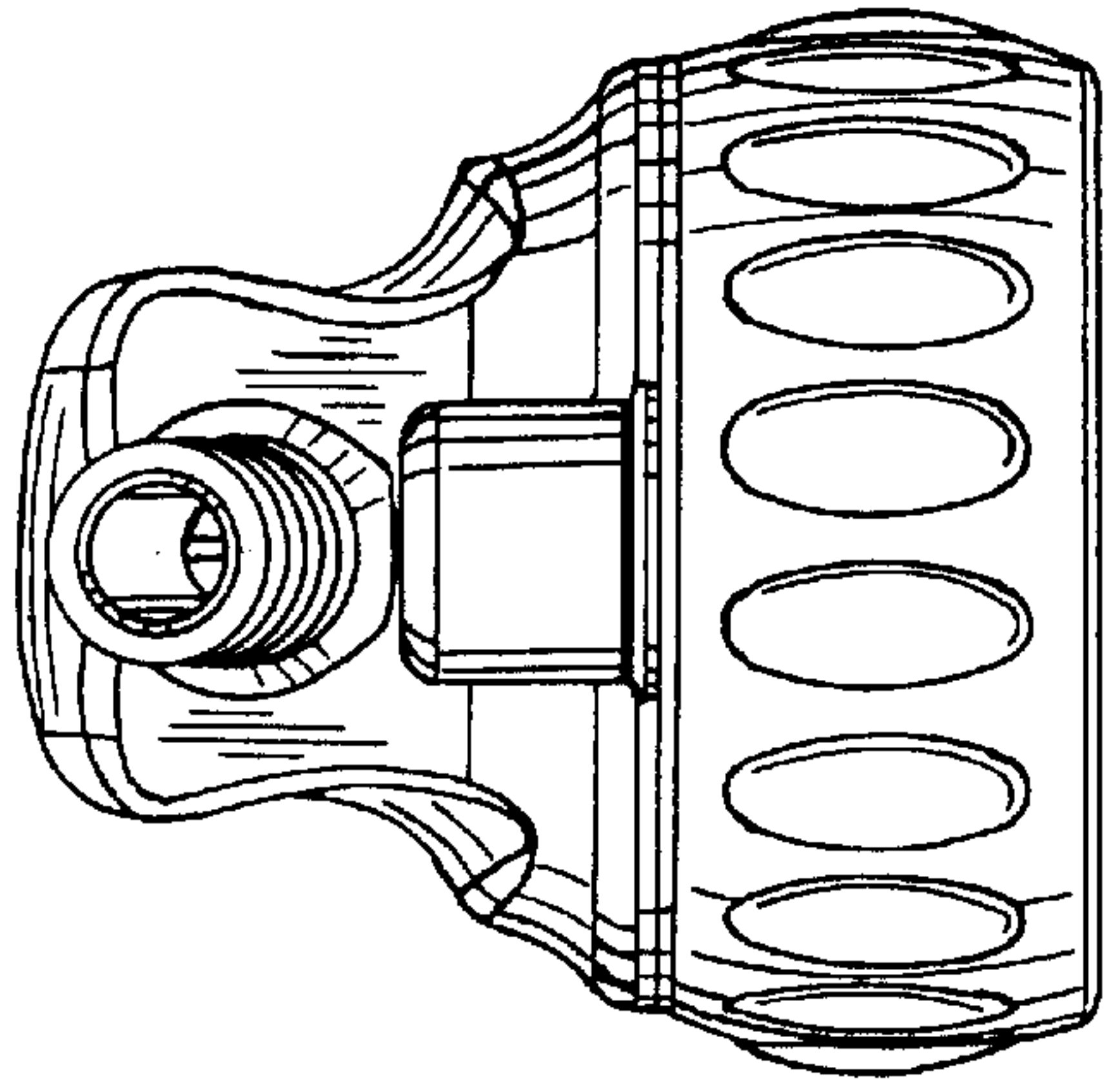


FIG. 6

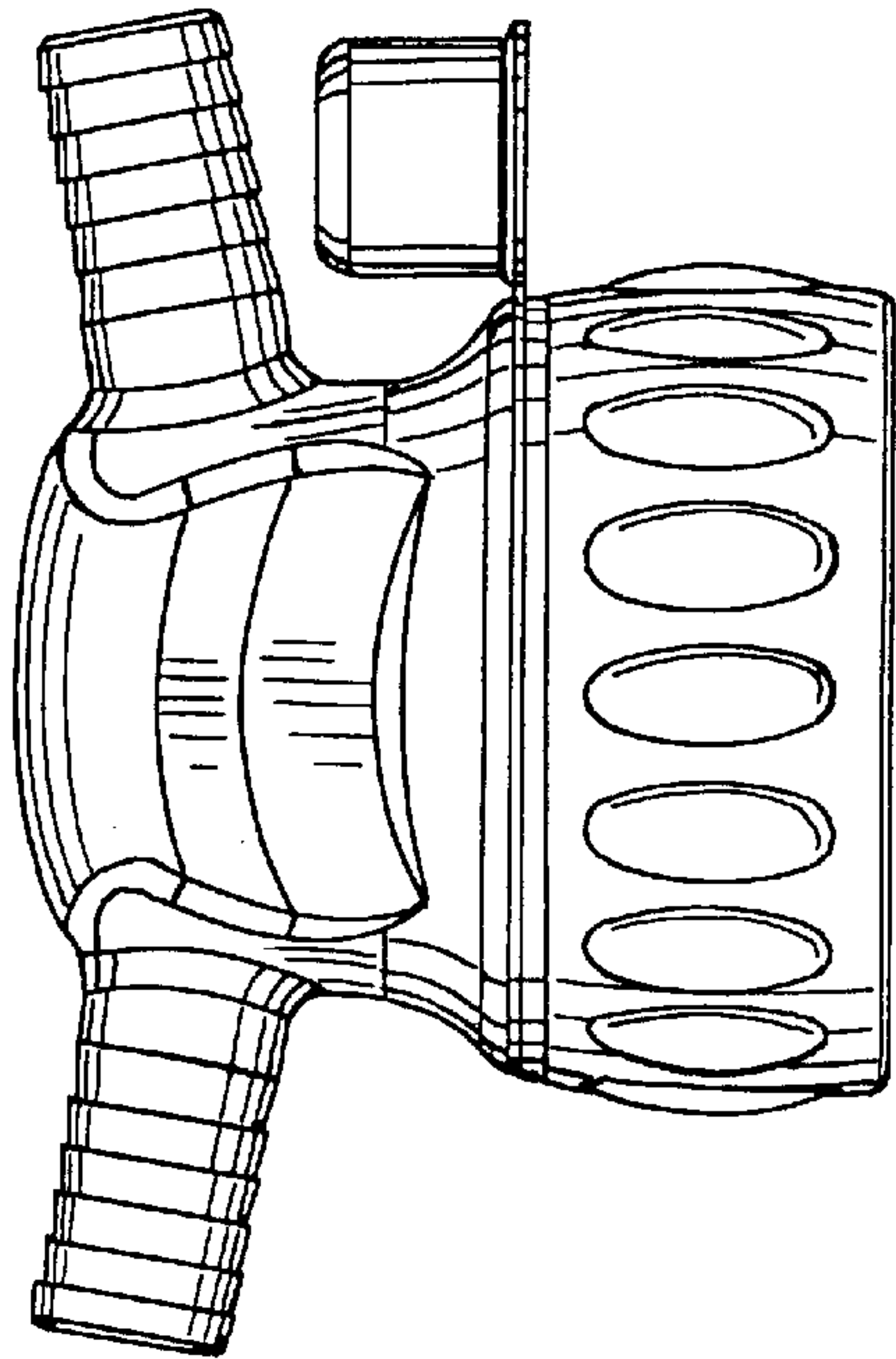


FIG. 8

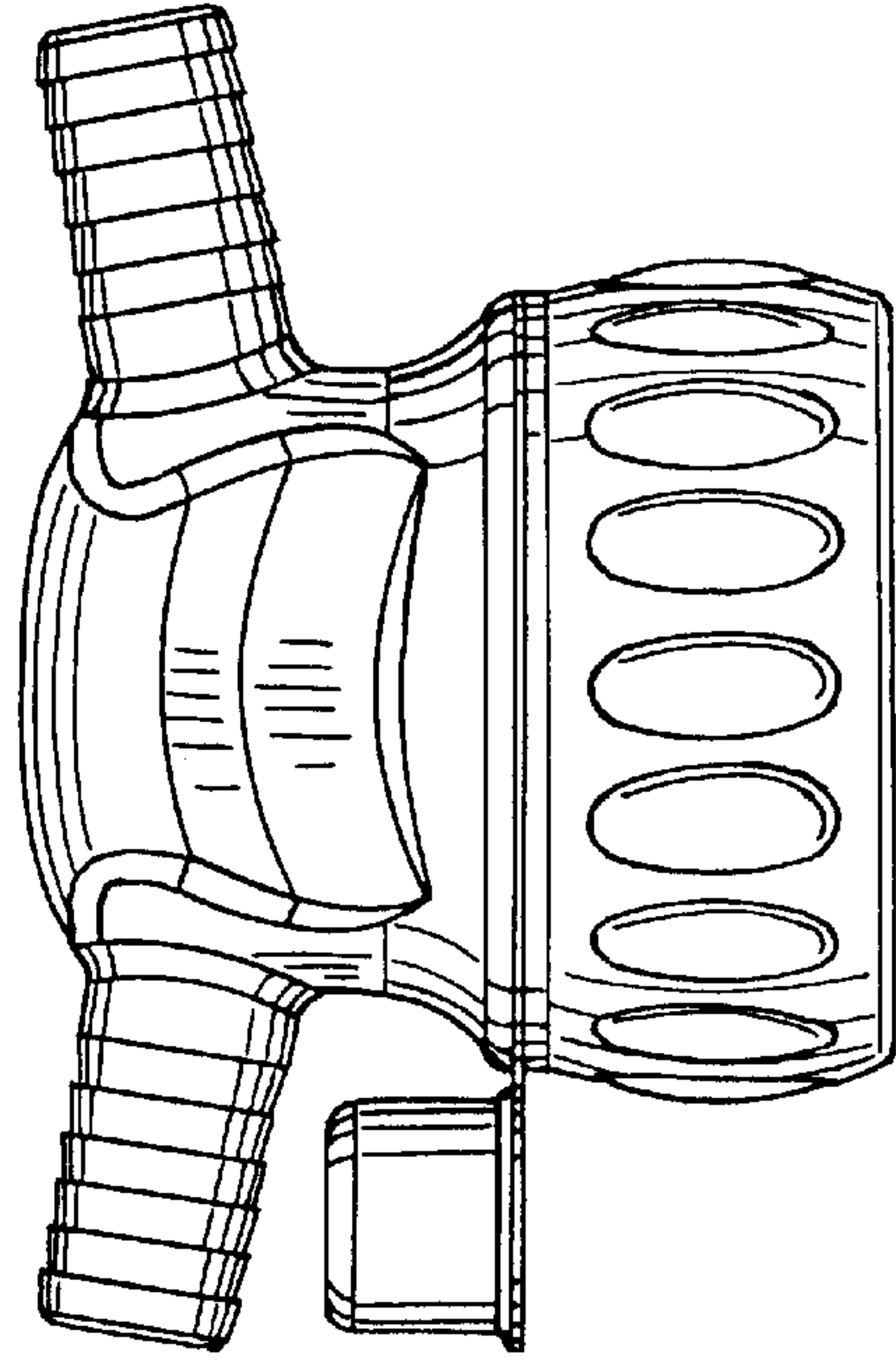


FIG. 7