



US00D421097S

United States Patent [19]

Fabian et al.

[11] Patent Number: **Des. 421,097**

[45] Date of Patent: **** Feb. 22, 2000**

[54] FAUCET STEM AND BASE

[75] Inventors: **Wolfgang Fabian**, Mannheim, Germany; **Paul Kolada**, Columbus, Ohio

[73] Assignee: **American Standard Inc.**, Piscataway, N.J.

[**] Term: **14 Years**

[21] Appl. No.: **29/093,356**

[22] Filed: **Sep. 9, 1998**

Related U.S. Application Data

[62] Division of application No. 29/020,953, Apr. 5, 1994, Pat. No. Des. 406,637.

[51] LOC (7) Cl. **23-01**

[52] U.S. Cl. **D23/243**

[58] Field of Search D23/238-243, D23/250-257; D8/300-310; 4/675-678; 137/801

[56] References Cited

U.S. PATENT DOCUMENTS

D. 367,699 3/1996 Hill et al. D23/238

D. 368,764 4/1996 Hill et al. D23/238
D. 390,639 2/1998 Ming-hua D23/243
D. 400,648 11/1998 Fabian et al. D23/243

OTHER PUBLICATIONS

American Standard Inc. Brochure, 1991 p. 42, p. 43-A, B, C; p. 44-A, B, C, D; p. 49-A, B, C, D.

American Standard Inc. Brochure, 1988 p. 17-A, p. 19-C; p. 23-E, F.

Primary Examiner—Eric Watterson

[57] CLAIM

The ornamental design for a faucet stem and base, as shown and described.

DESCRIPTION

FIG. 1 is a right perspective view of a faucet stem and base showing my new design;

FIG. 2 is a top plan view of FIG. 1;

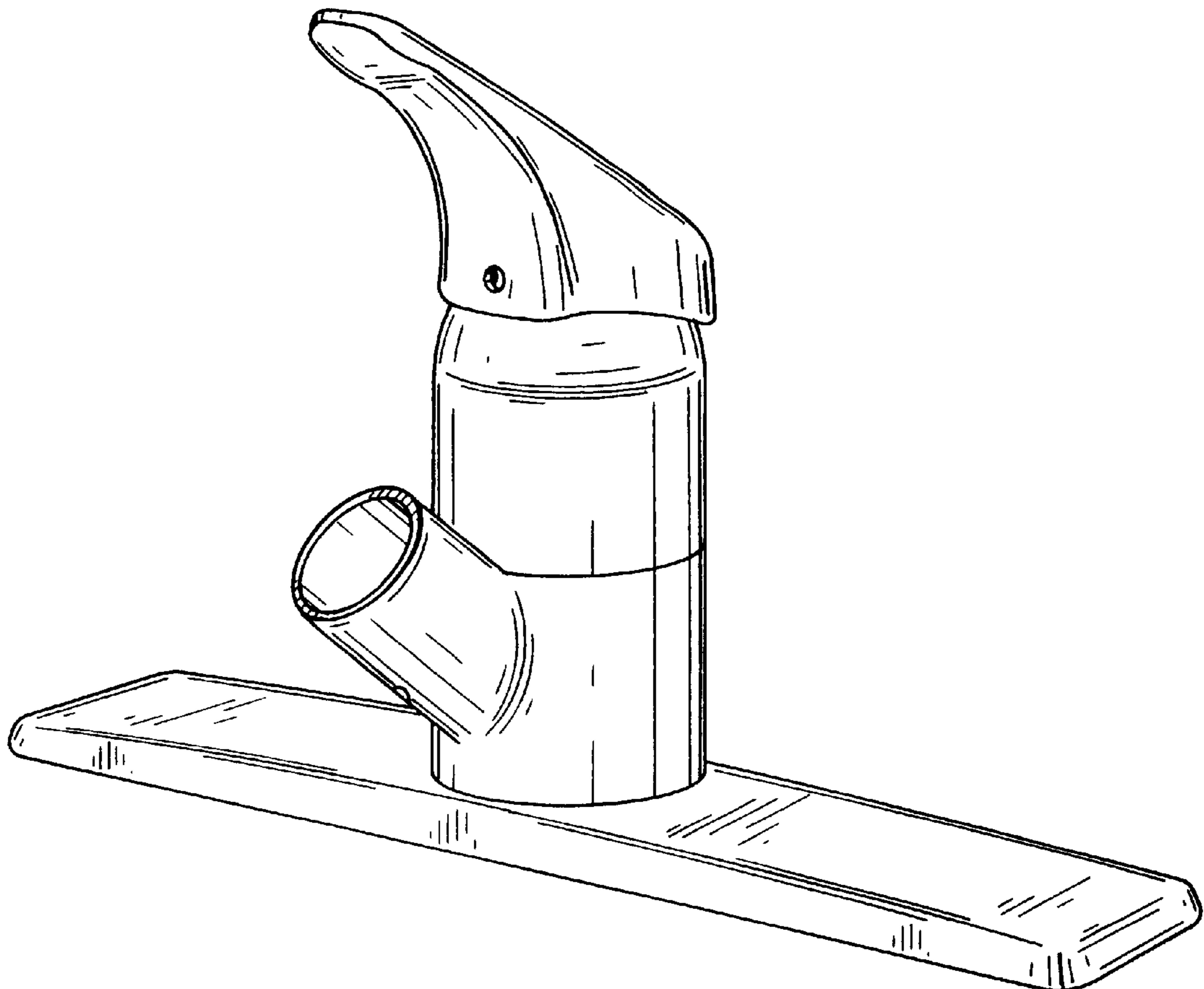
FIG. 3 is a front elevational view of FIG. 1;

FIG. 4 is a left side elevational view of FIG. 1, the right side being a mirror image of the left side;

FIG. 5 is a rear elevational view of FIG. 1; and,

FIG. 6 is a bottom plan view of FIG. 1.

1 Claim, 3 Drawing Sheets



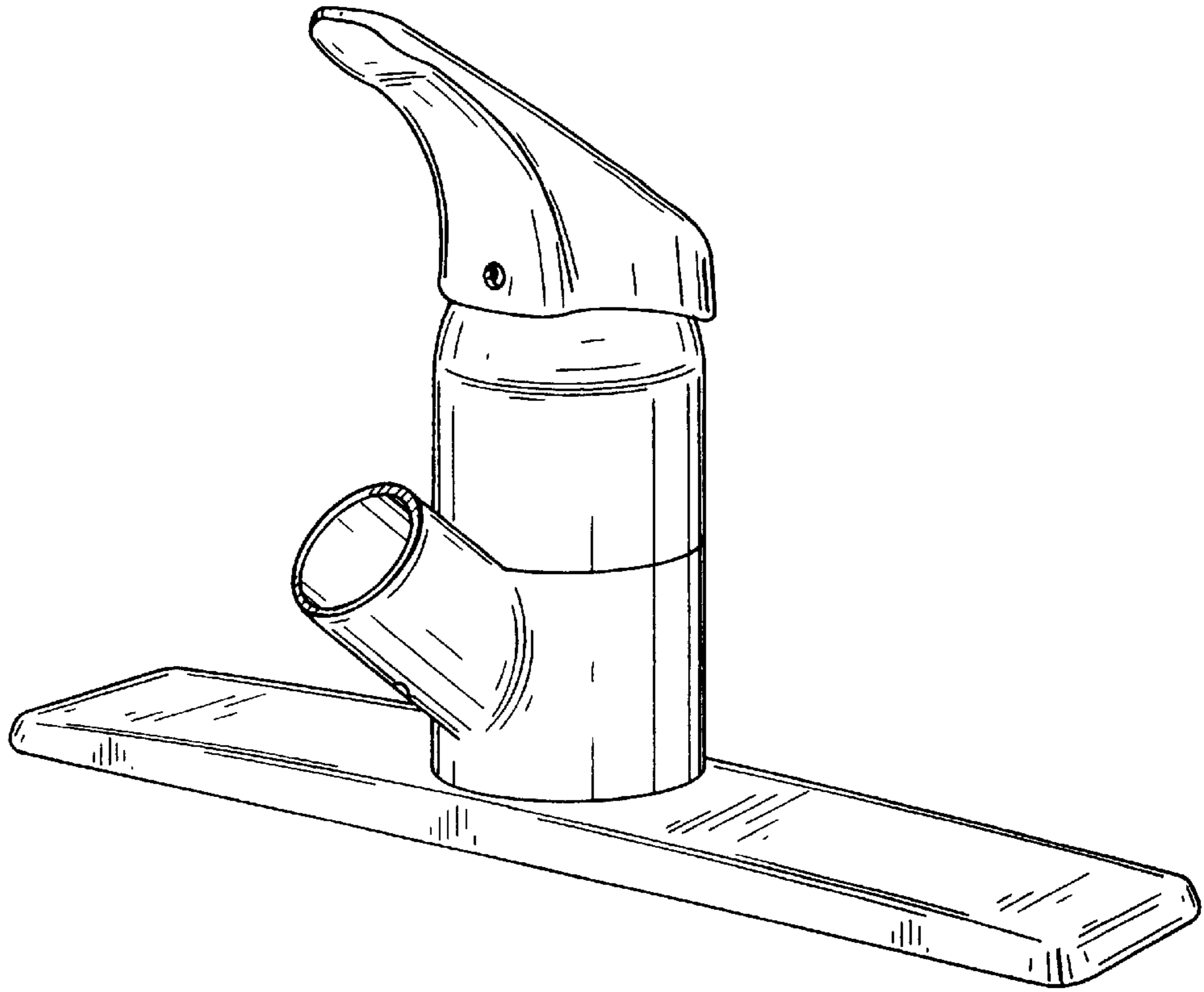


FIG. 1

FIG. 2

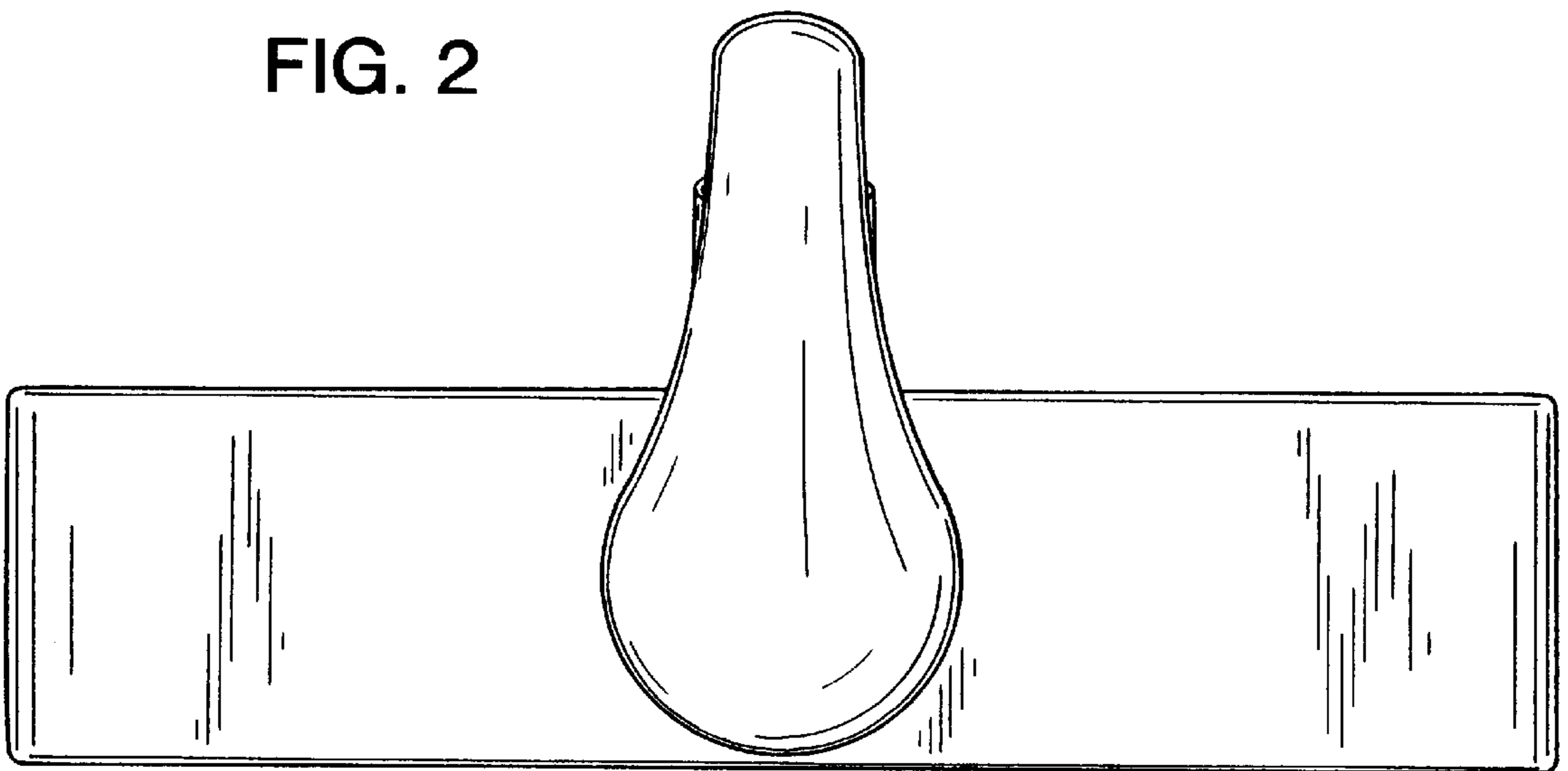


FIG. 3

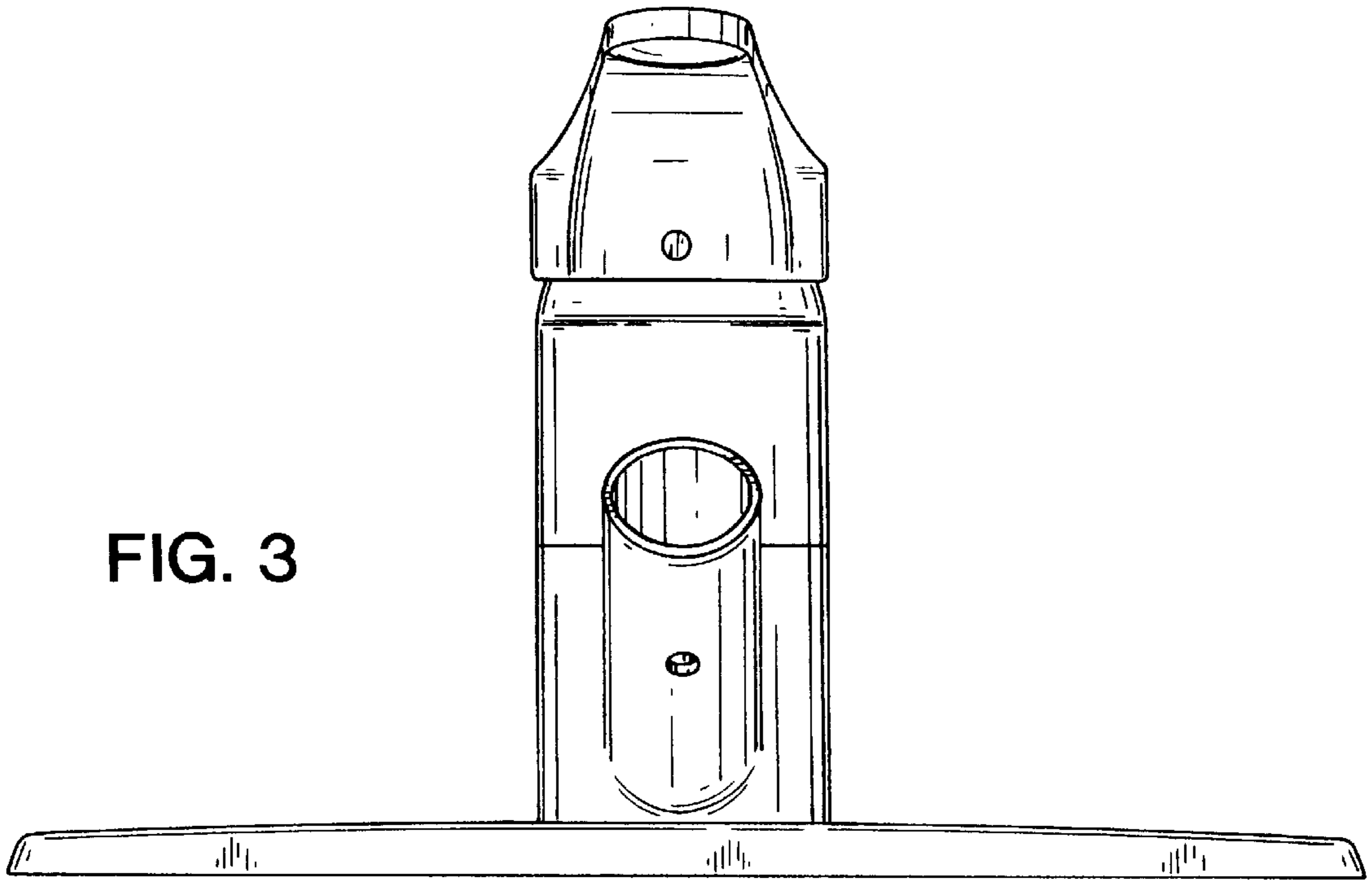


FIG. 4

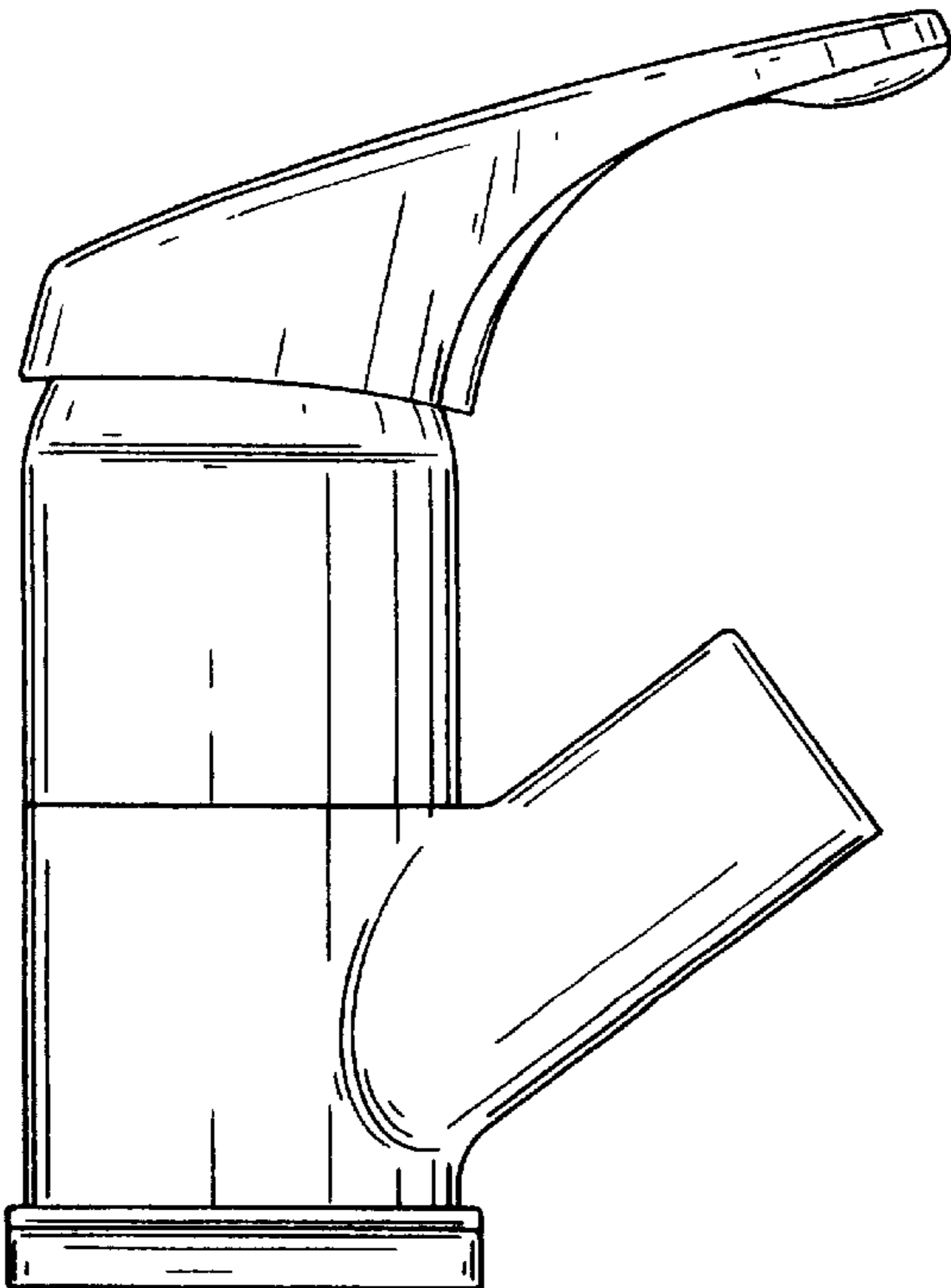


FIG. 5

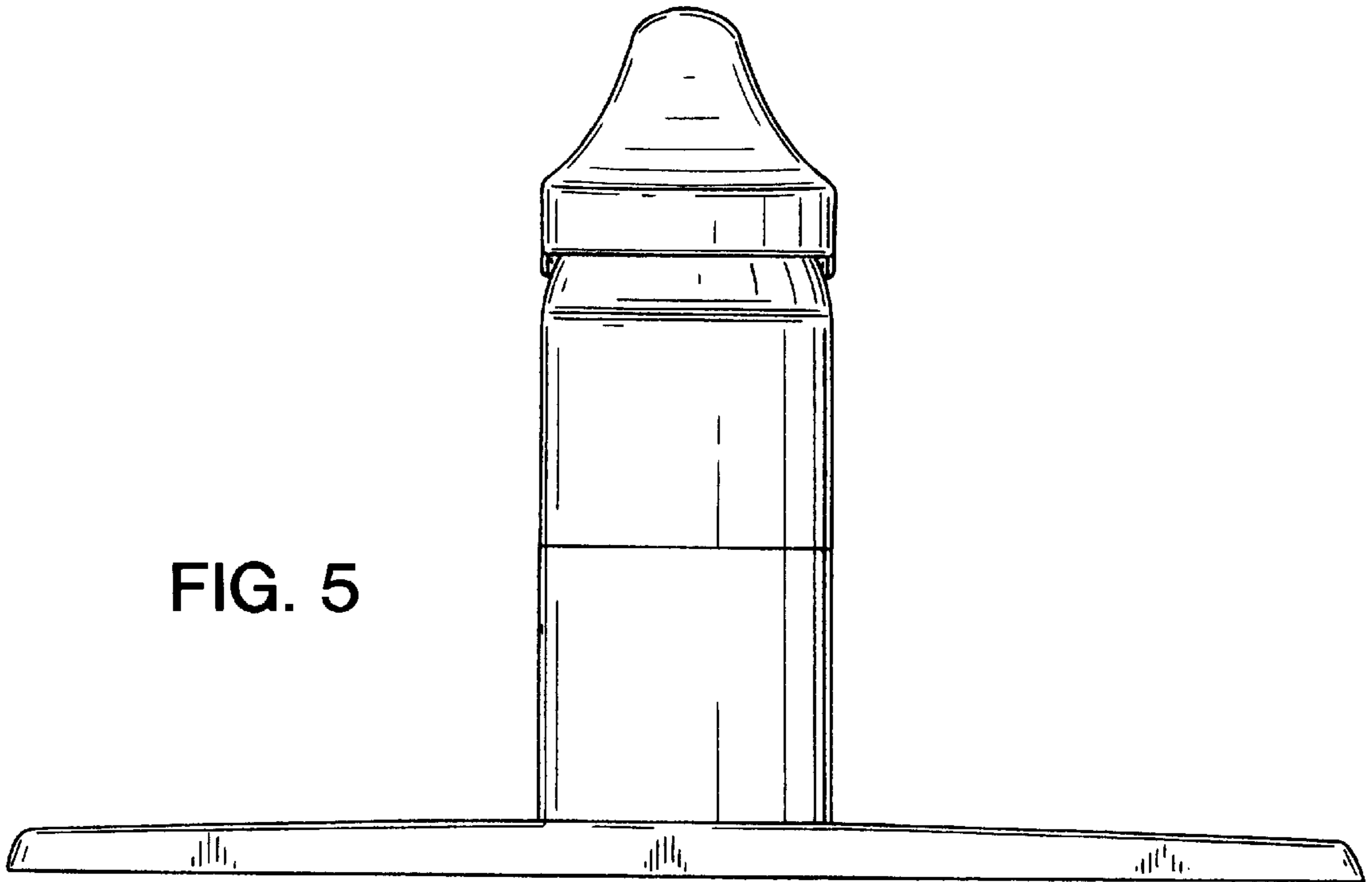


FIG. 6

