



US00D421095S

United States Patent [19]
Sawhney et al.

[11] **Patent Number: Des. 421,095**

[45] **Date of Patent: ** Feb. 22, 2000**

[54] **FAUCET**

[75] Inventors: **Ravi Sawhney**, Calabasas; **Christopher Glupker**, Van Nuys; **Cary Chow**, Venice; **Lance Hussey**, Sherman Oaks; **Soren Petersen**, South Pasadena, all of Calif.

[73] Assignee: **Emhart Inc.**, Newark, Del.

[**] Term: **14 Years**

[21] Appl. No.: **29/099,156**

[22] Filed: **Jan. 14, 1999**

[51] **LOC (7) Cl.** **23-01**

[52] **U.S. Cl.** **D23/238**

[58] **Field of Search** D23/238-243,
D23/250-257; D8/300-308; 4/675-678

[56] **References Cited**

U.S. PATENT DOCUMENTS

D. 367,697 3/1996 Haug et al. D23/238

D. 388,158 12/1997 Doughty et al. D23/238
D. 402,351 12/1998 Lord D23/238
D. 402,769 12/1998 Lord D23/238
D. 409,280 5/1999 Lord D23/238

Primary Examiner—Eric Watterson
Attorney, Agent, or Firm—Edward D. Murphy

[57] **CLAIM**

The ornamental design for a faucet, as shown and described.

DESCRIPTION

FIG. 1 is a perspective view of our new design of a faucet; FIG. 2 is a right side elevational view of our new design of the faucet, a left side elevational view thereof being a mirror image of the right side elevation thereof;

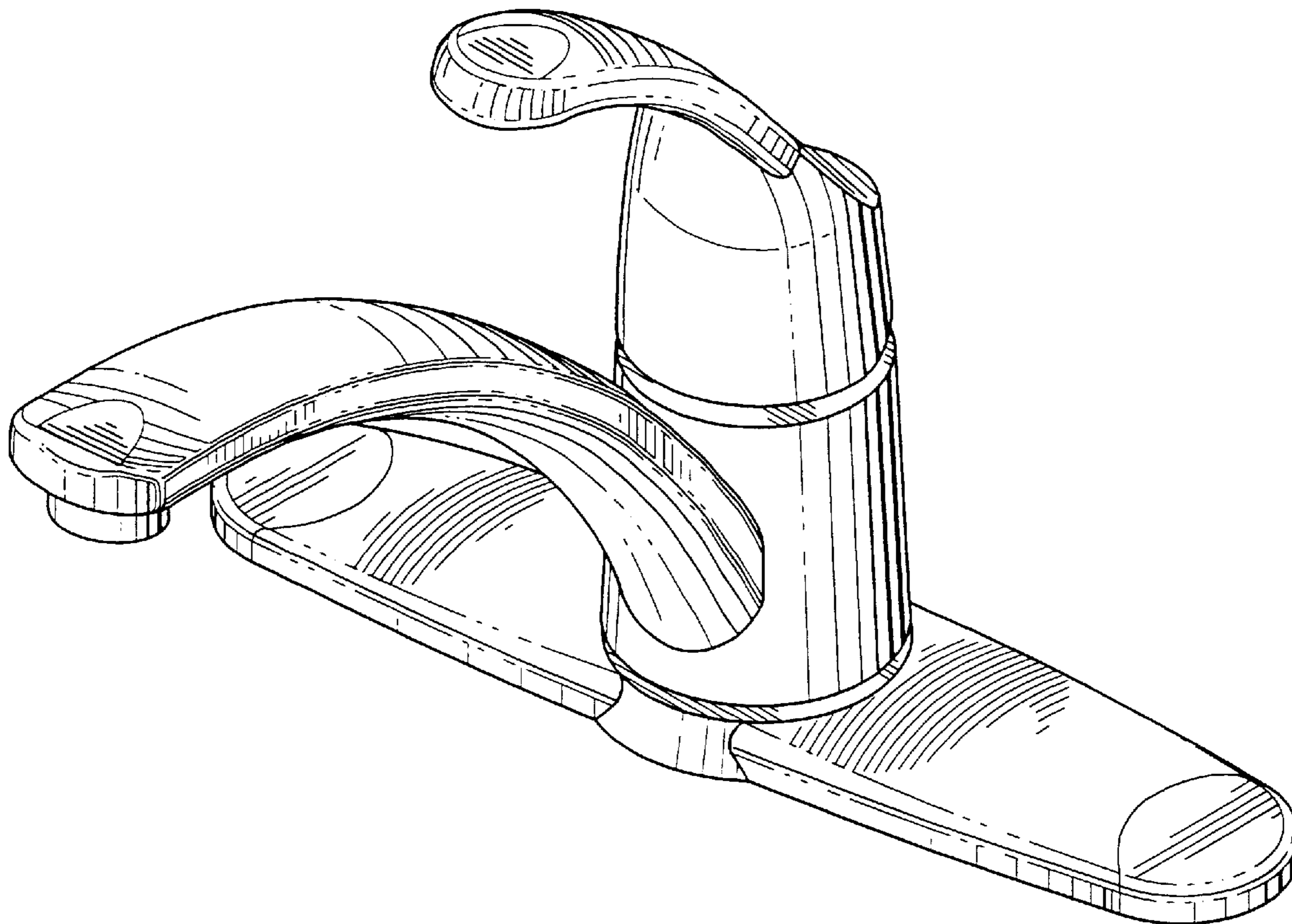
FIG. 3 is a front elevational view of our new design of the faucet;

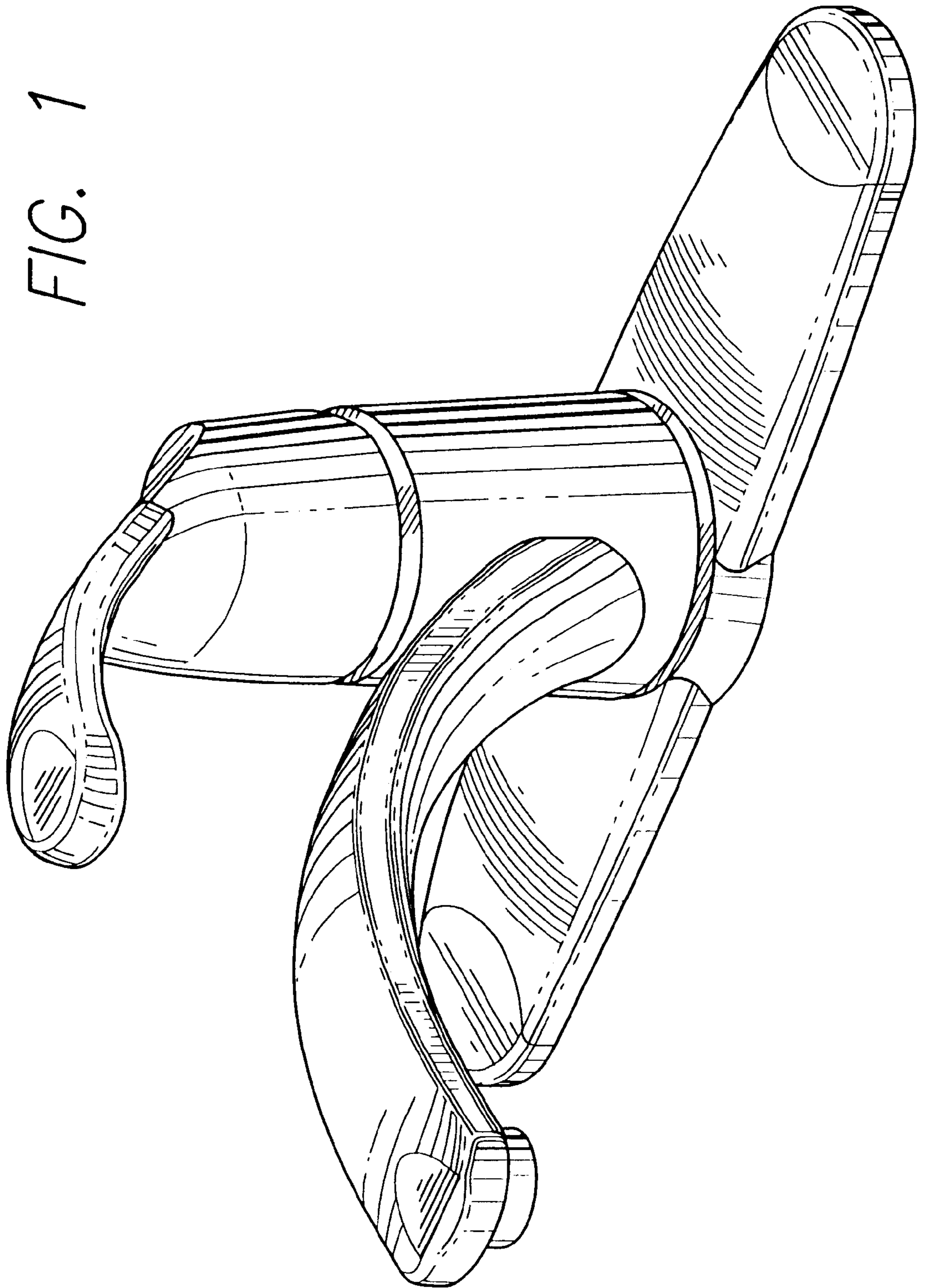
FIG. 4 is a rear elevational view of our new design of the faucet;

FIG. 5 is a top plan view of our new design of the faucet; and,

FIG. 6 is a bottom plan view of our new design of the faucet.

1 Claim, 6 Drawing Sheets





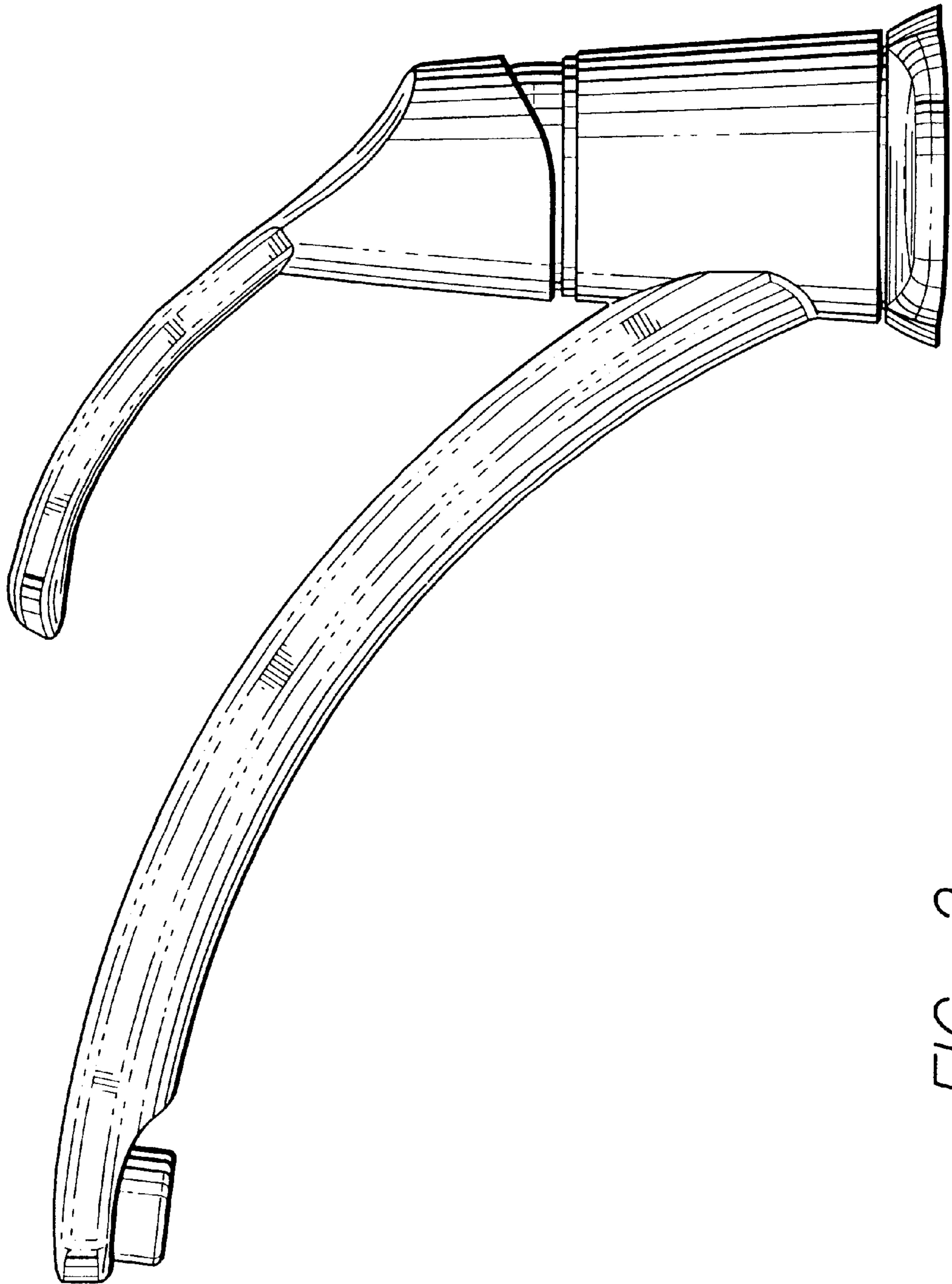


FIG. 2

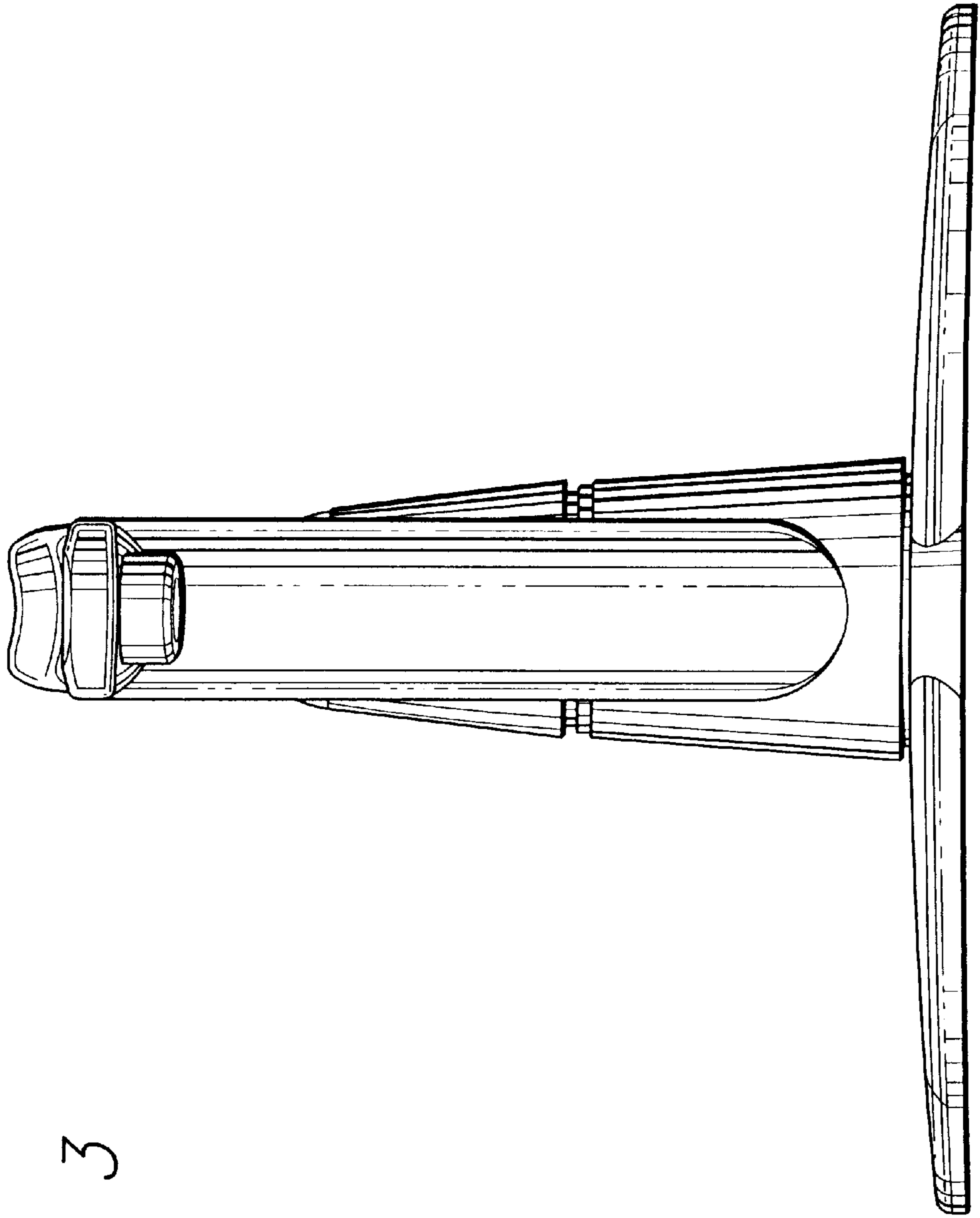


FIG. 3

FIG. 4

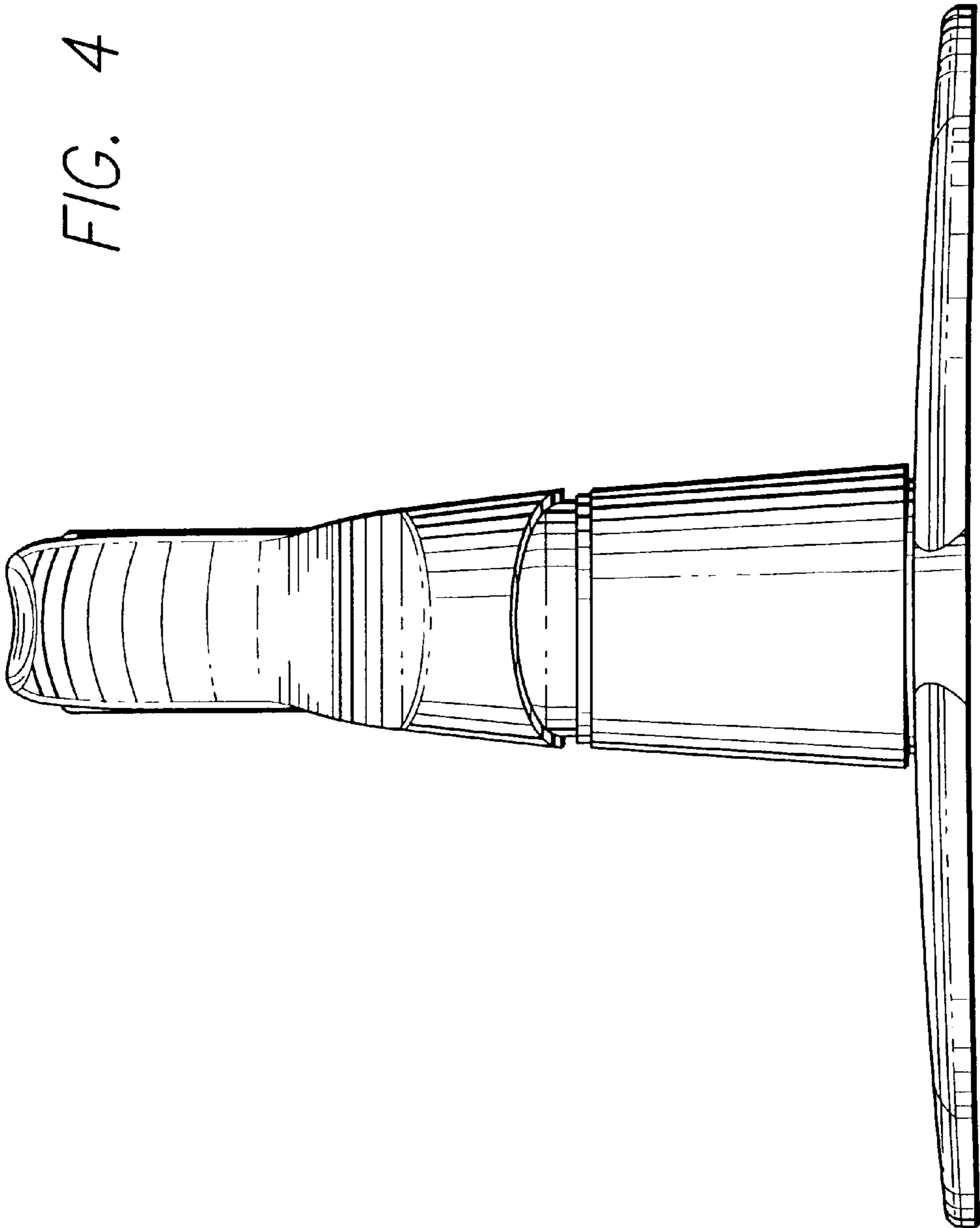
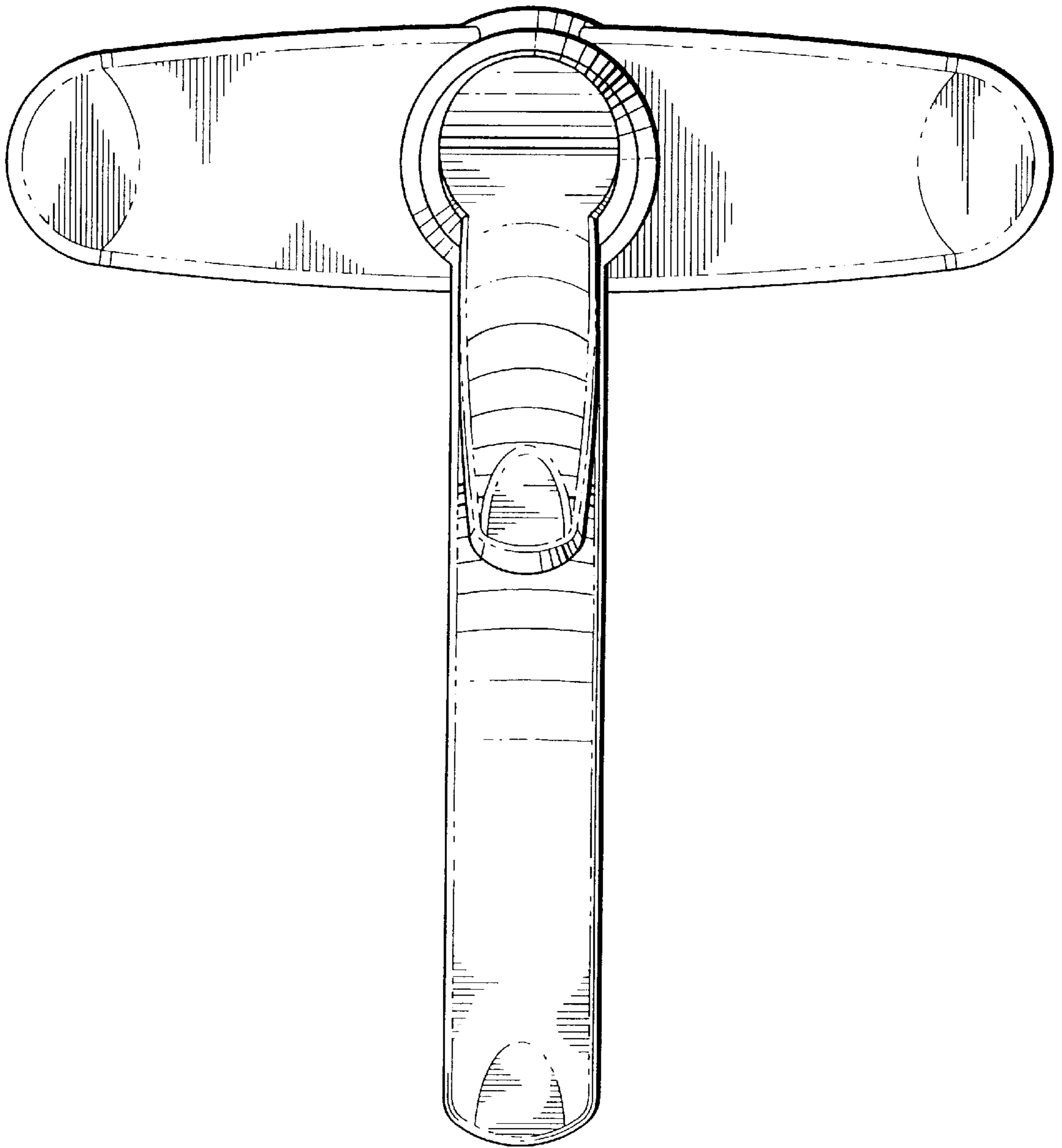


FIG. 5



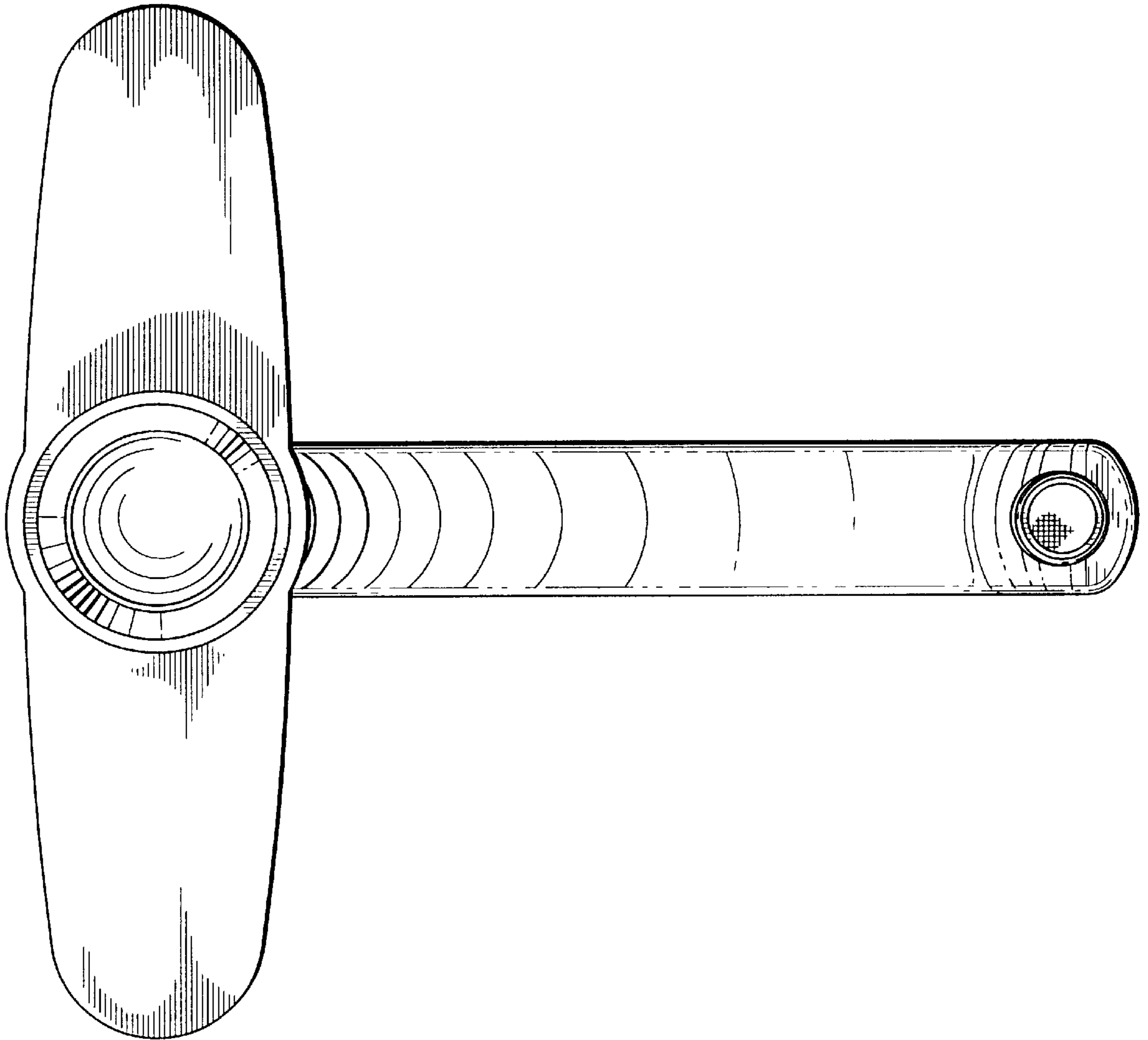


FIG. 6