



US00D421092S

United States Patent [19] Martin

[11] Patent Number: **Des. 421,092**

[45] Date of Patent: **** Feb. 22, 2000**

[54] VALVE

[75] Inventor: **Richard L. Martin**, Point Richmond, Calif.

[73] Assignee: **Veriflo Corporation**, Richmond, Calif.

[**] Term: **14 Years**

[21] Appl. No.: **29/090,085**

[22] Filed: **Jun. 30, 1998**

[51] LOC (7) Cl. **23-01**

[52] U.S. Cl. **D23/233; D23/245**

[58] Field of Search **D23/233-235, D23/244-245; 251/335.3, 332, 305**

[56] **References Cited**

U.S. PATENT DOCUMENTS

D. 301,915	6/1989	Fisher et al.	D23/233
D. 332,822	1/1993	Reid et al.	D23/233
D. 335,918	5/1993	Glansk	D23/245
D. 347,882	6/1994	Greenwood et al.	D23/245

D. 348,096	6/1994	Greenwood .	
4,911,411	3/1990	Jones et al.	251/335.3
4,991,619	2/1991	Porta	251/335.3
5,385,334	1/1995	Greenwood .	
5,482,254	1/1996	Greenwood .	

Primary Examiner—Robin V. Taylor
Attorney, Agent, or Firm—Antonelli, Terry, Stout & Kraus, LLP

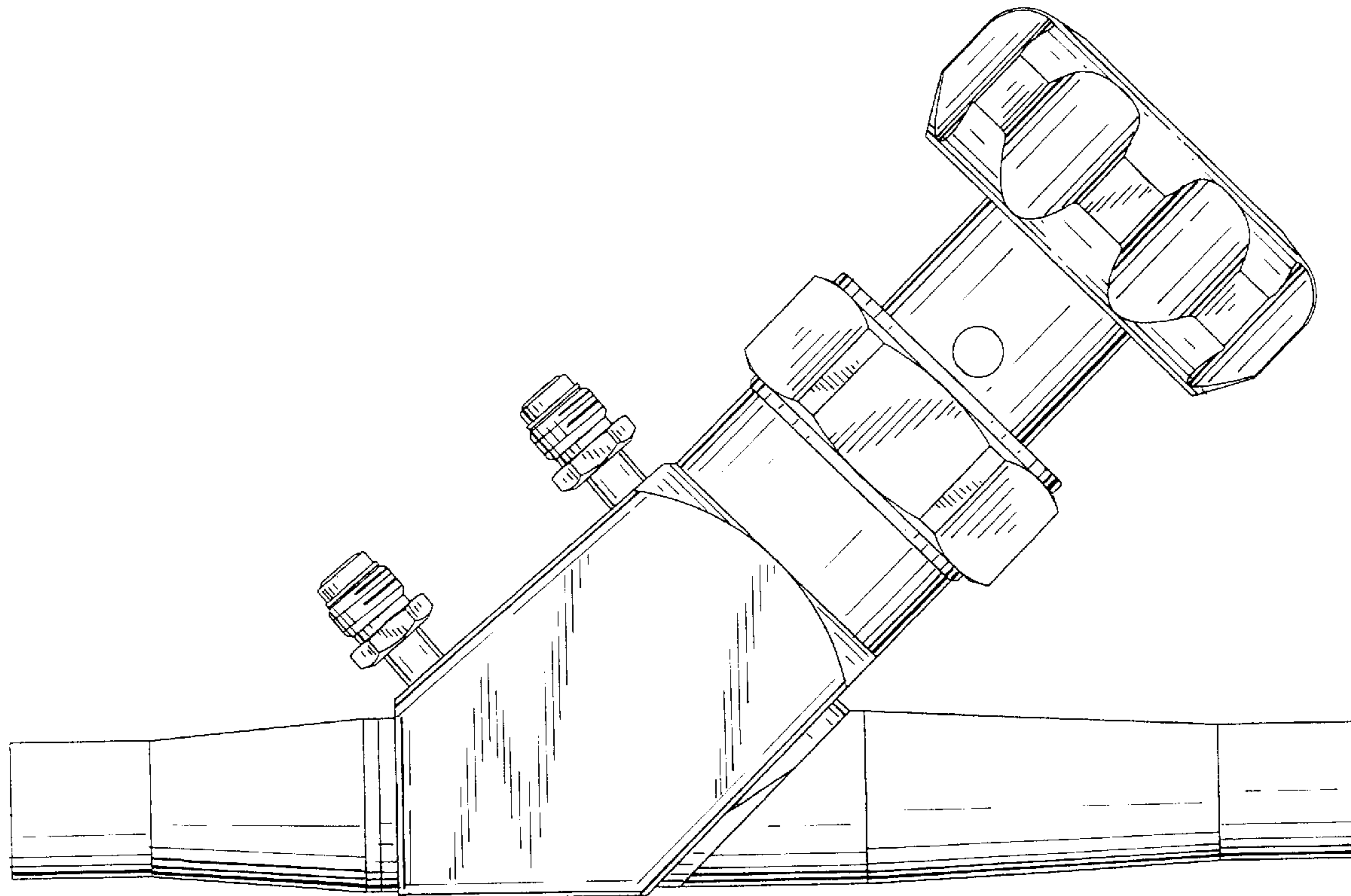
[57] **CLAIM**

The ornamental design for a valve, as shown and described.

DESCRIPTION

FIG. 1 is a front elevational view of a valve according to the invention;
FIG. 2 is a top view of the valve of FIG. 1;
FIG. 3 is a right side elevational view of the valve of FIG. 1;
FIG. 4 is a bottom view of the valve of FIG. 1; and,
FIG. 5 is a left side elevational view of the valve of FIG. 1.

1 Claim, 2 Drawing Sheets



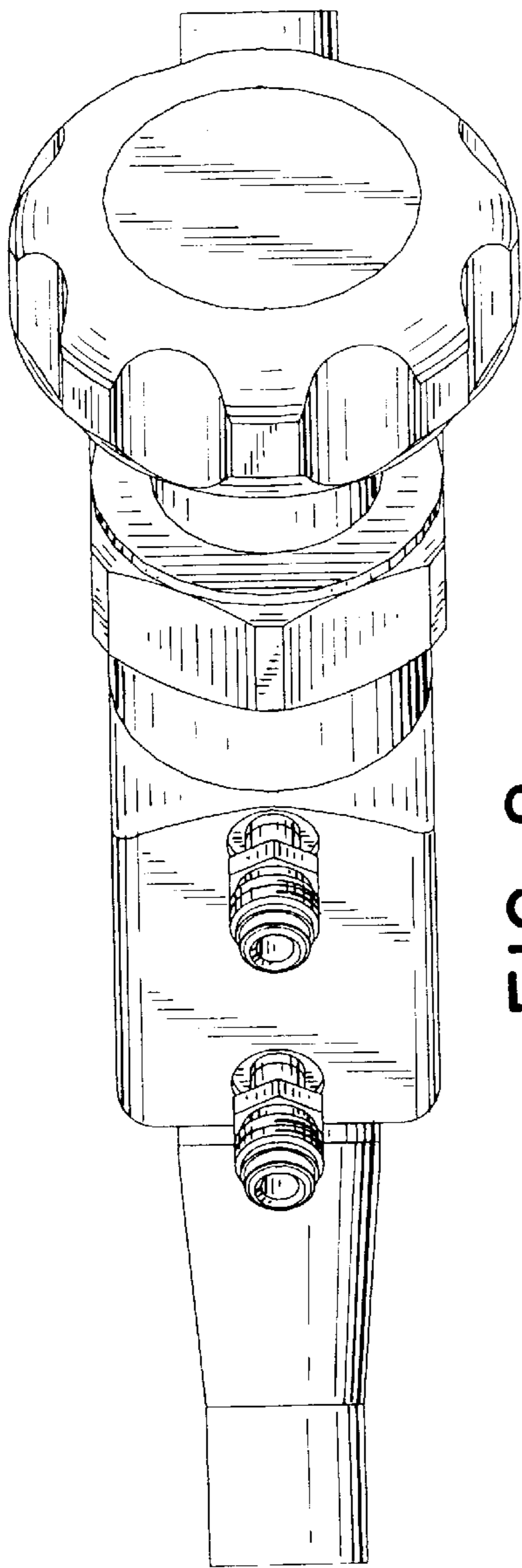


FIG. 2

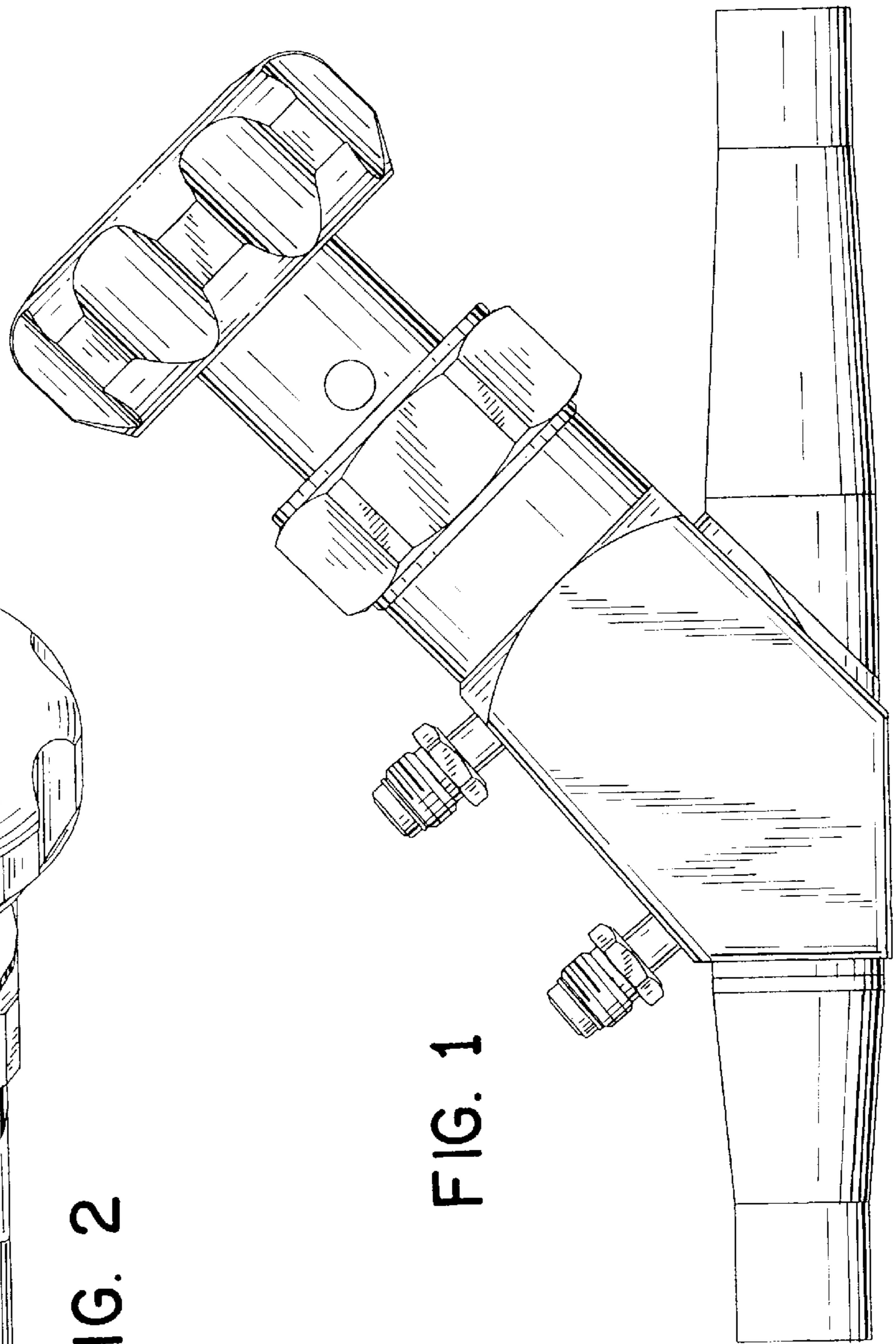


FIG. 1

FIG. 5

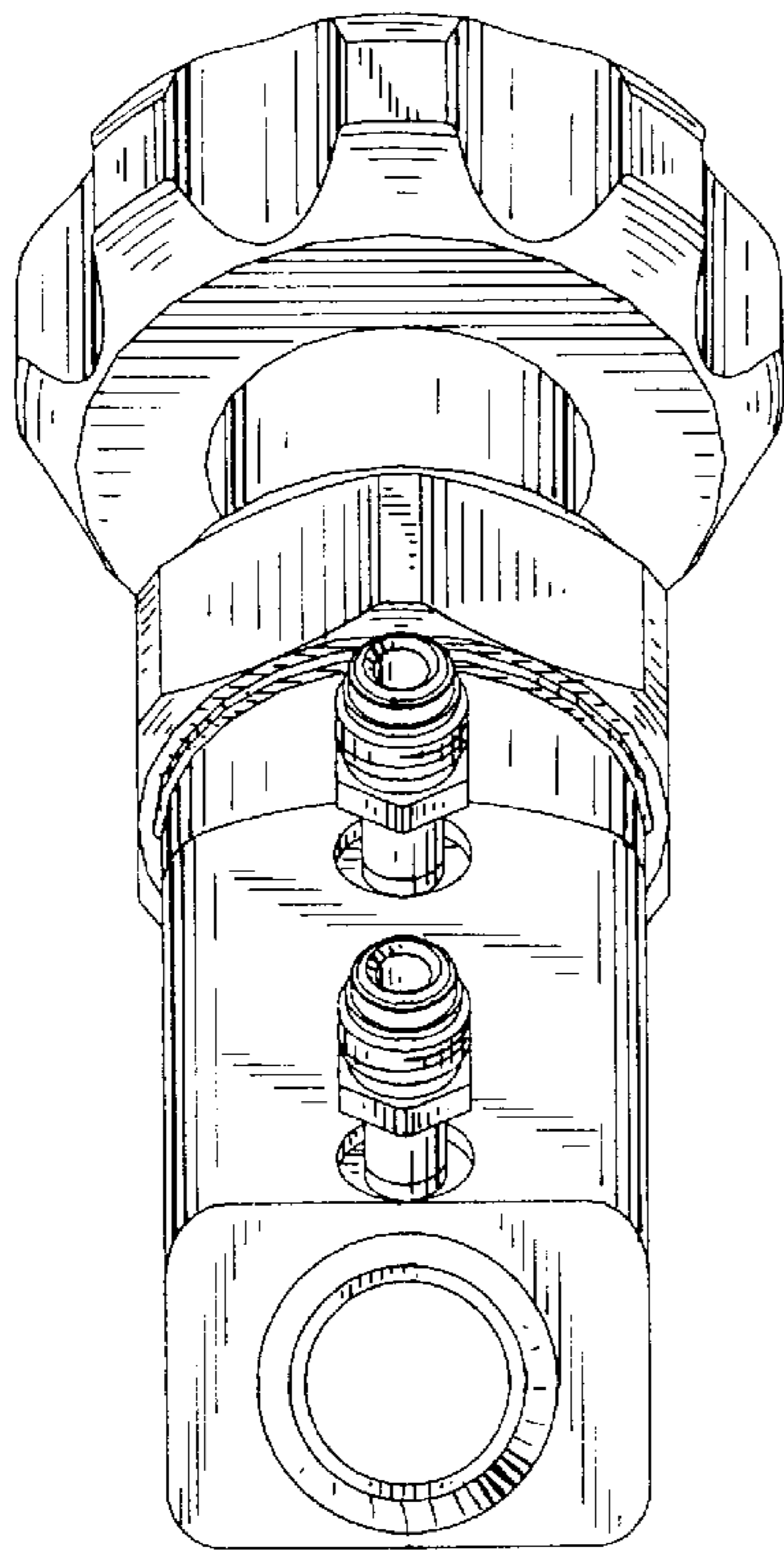


FIG. 3

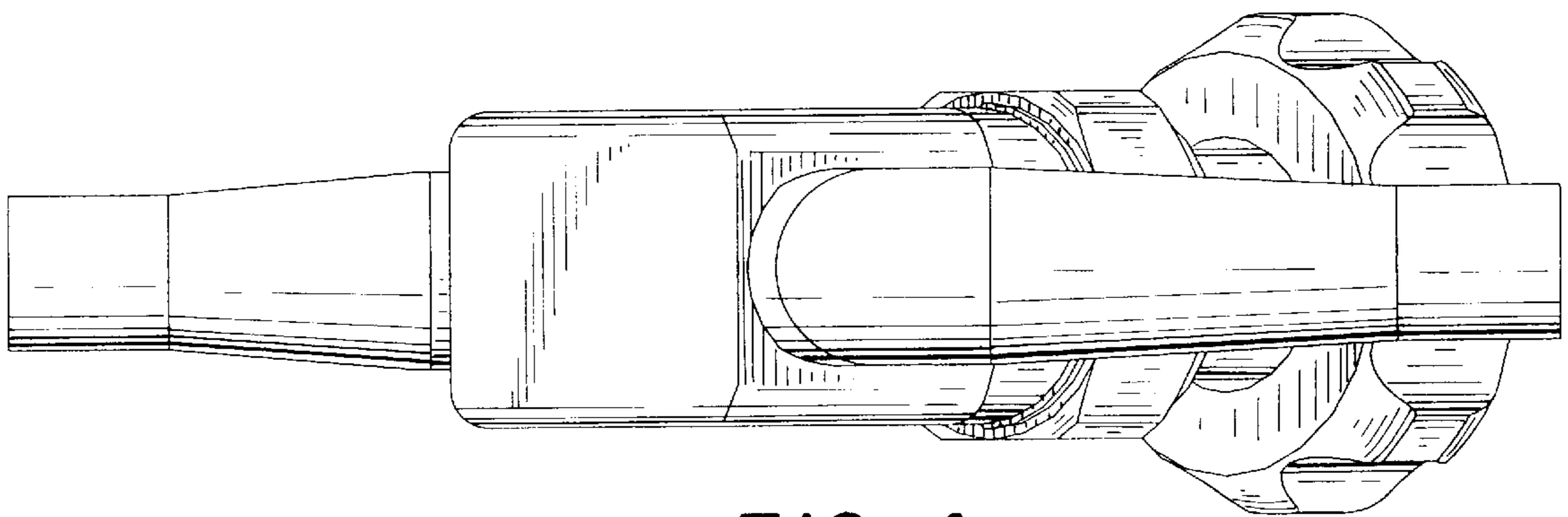
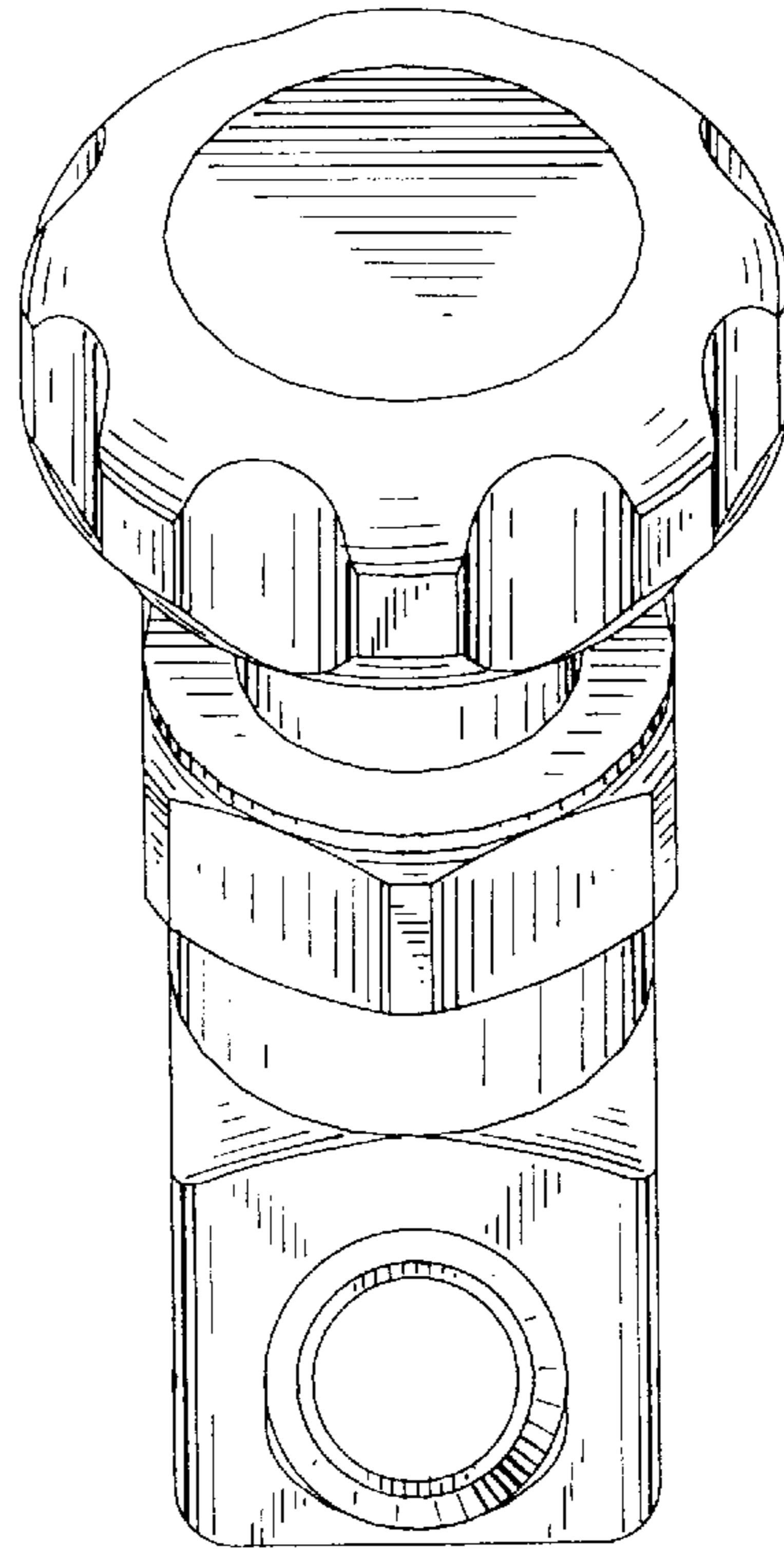


FIG. 4