



US00D421091S

United States Patent [19]
Kehlbeck

[11] **Patent Number: Des. 421,091**

[45] **Date of Patent: ** *Feb. 22, 2000**

[54] **VALVE HOUSING AND CAP**

[75] Inventor: **Hans Kehlbeck**, Bremen, Germany

[73] Assignee: **GESTRA GmbH**, Bremen, Germany

[*] Notice: This patent is subject to a terminal disclaimer.

[**] Term: **14 Years**

[21] Appl. No.: **29/089,051**

[22] Filed: **Jun. 5, 1998**

[30] **Foreign Application Priority Data**

Apr. 24, 1998 [XH] Hague Agreement DM/043909

[51] **LOC (7) Cl.** **23-01**

[52] **U.S. Cl.** **D23/233**

[58] **Field of Search** D23/233-237,
D23/245-248; 251/145, 146, 625.11, 625.41

[56] **References Cited**

U.S. PATENT DOCUMENTS

D. 171,993 4/1954 Wilson D23/233

D. 281,808 12/1985 Lemkin et al. D23/233
D. 300,171 3/1989 Been D23/233
D. 373,176 8/1996 Booth et al. D23/233
D. 407,146 3/1999 Kehlbeck D23/260

Primary Examiner—Robin V. Taylor
Attorney, Agent, or Firm—Collard & Roe, PC

[57] **CLAIM**

The ornamental design for an valve housing and cap, as shown and described.

DESCRIPTION

FIG. 1 shows a perspective view of my design for a valve housing and cap;

FIG. 2 shows a front view thereof, with the rear view being identical;

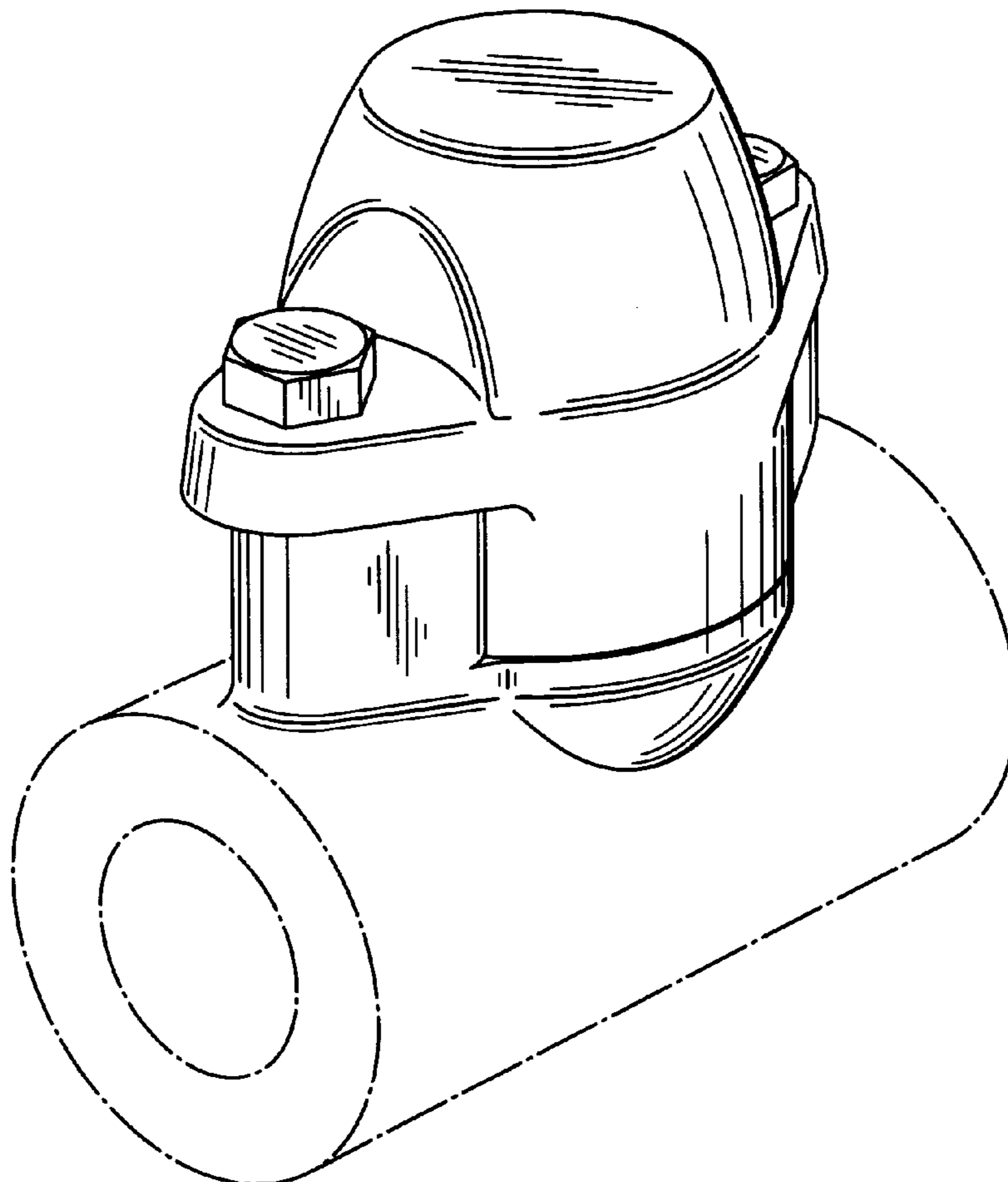
FIG. 3 shows a side view thereof, with the opposite side view being identical;

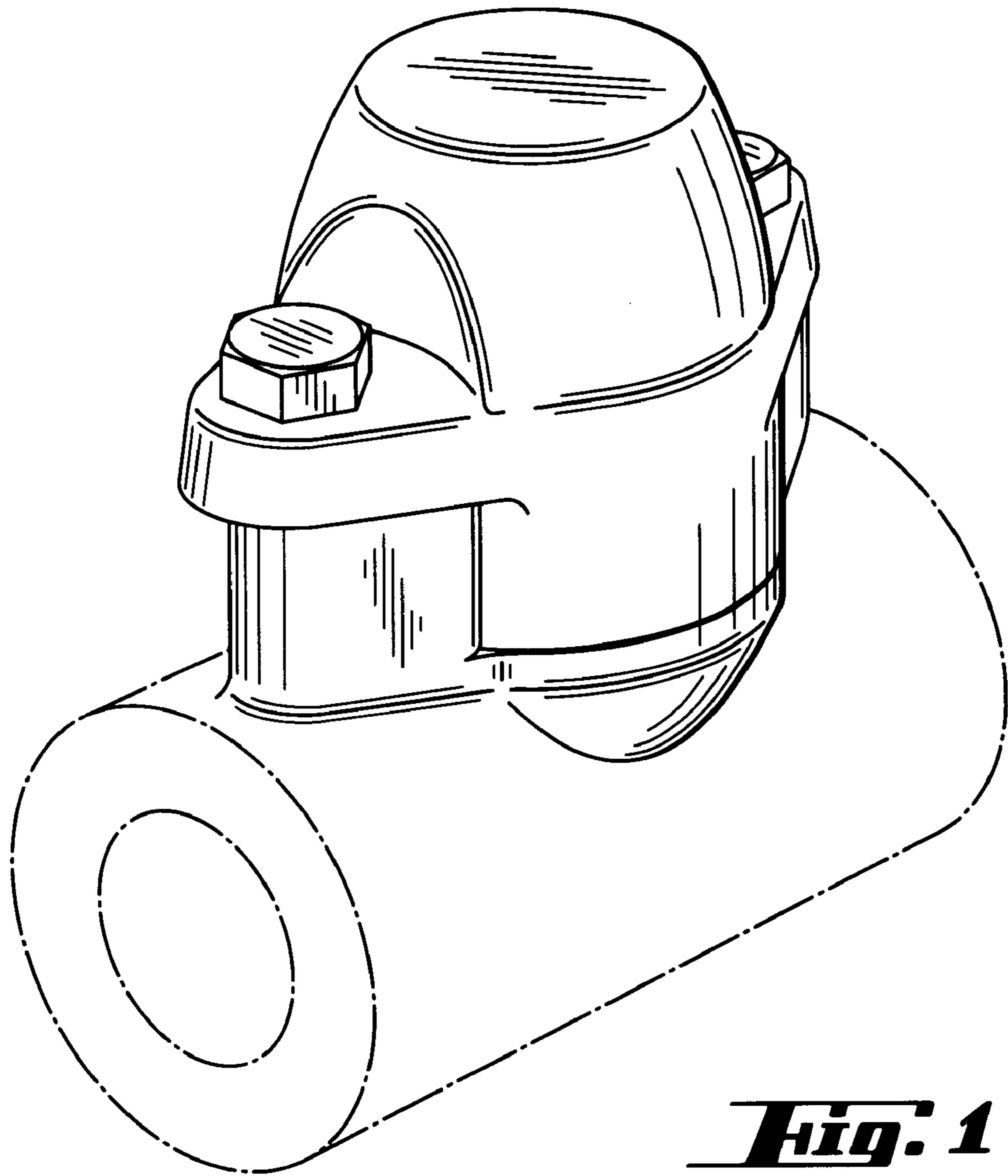
FIG. 4 shows a top view thereof; and,

FIG. 5 shows a bottom view thereof.

The portion of the valve shown in dotted line is for illustrative purposes only and does not form a part of the inventive design.

1 Claim, 3 Drawing Sheets





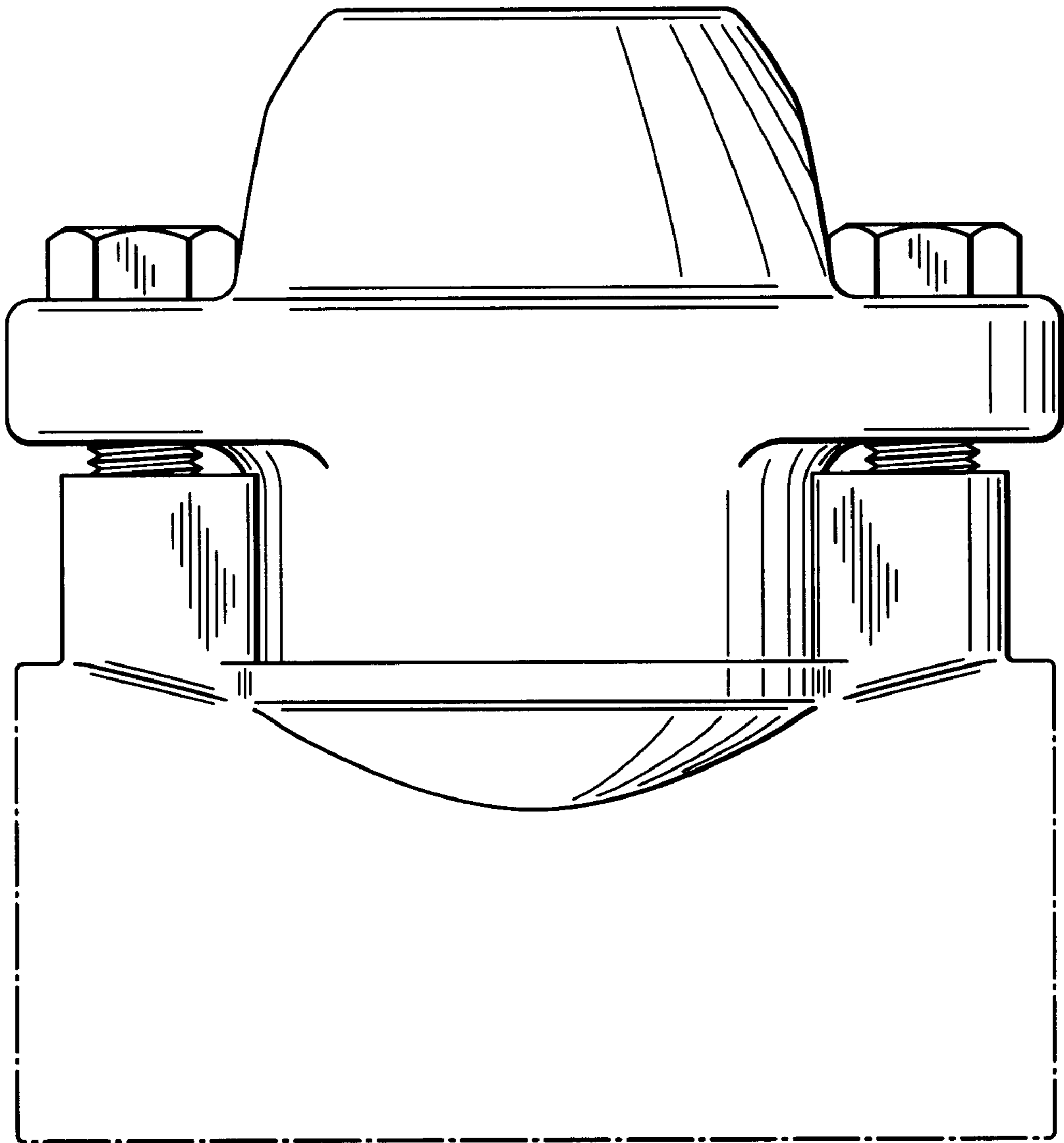


Fig. 2

Fig. 3

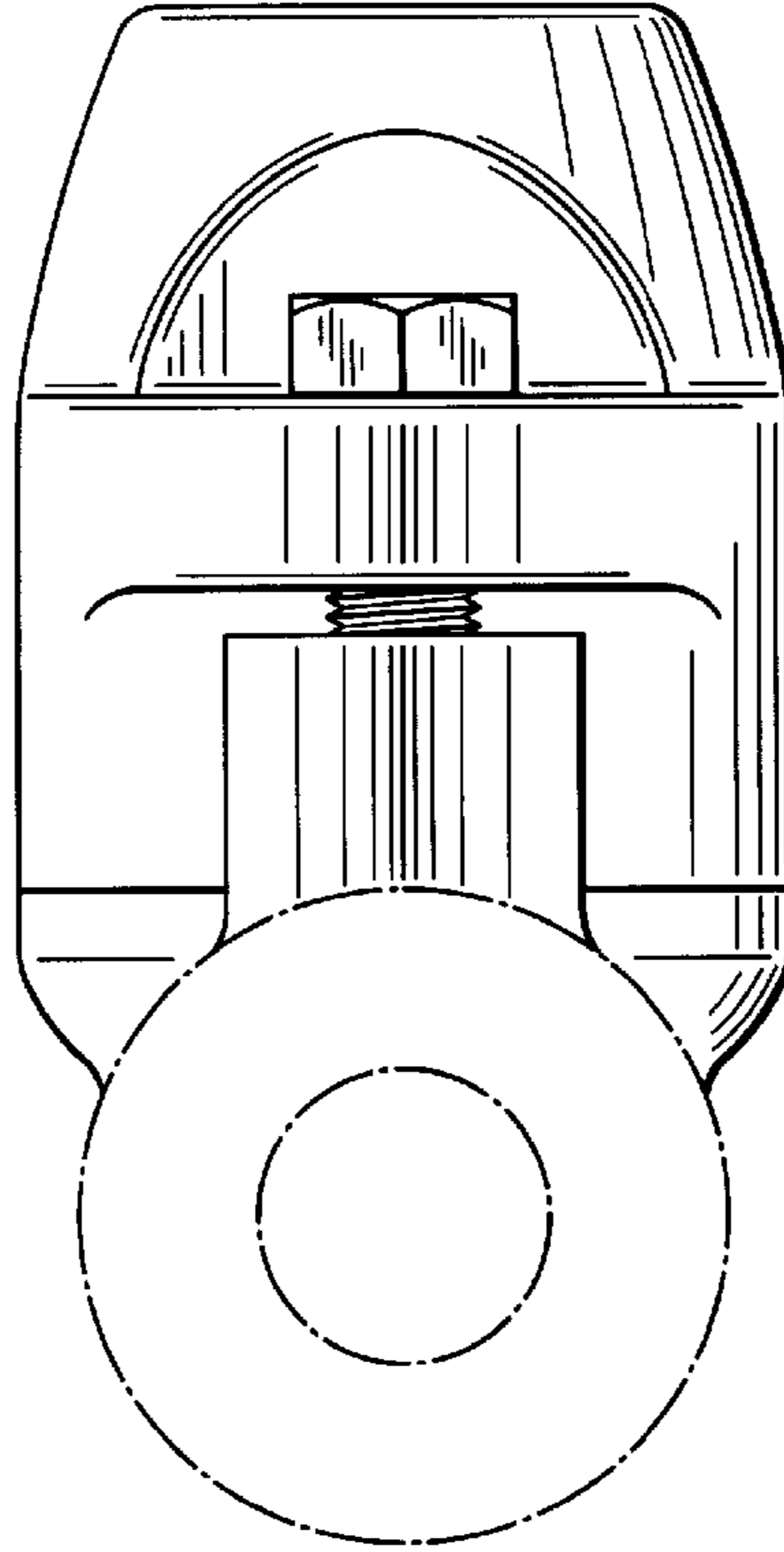


Fig. 4

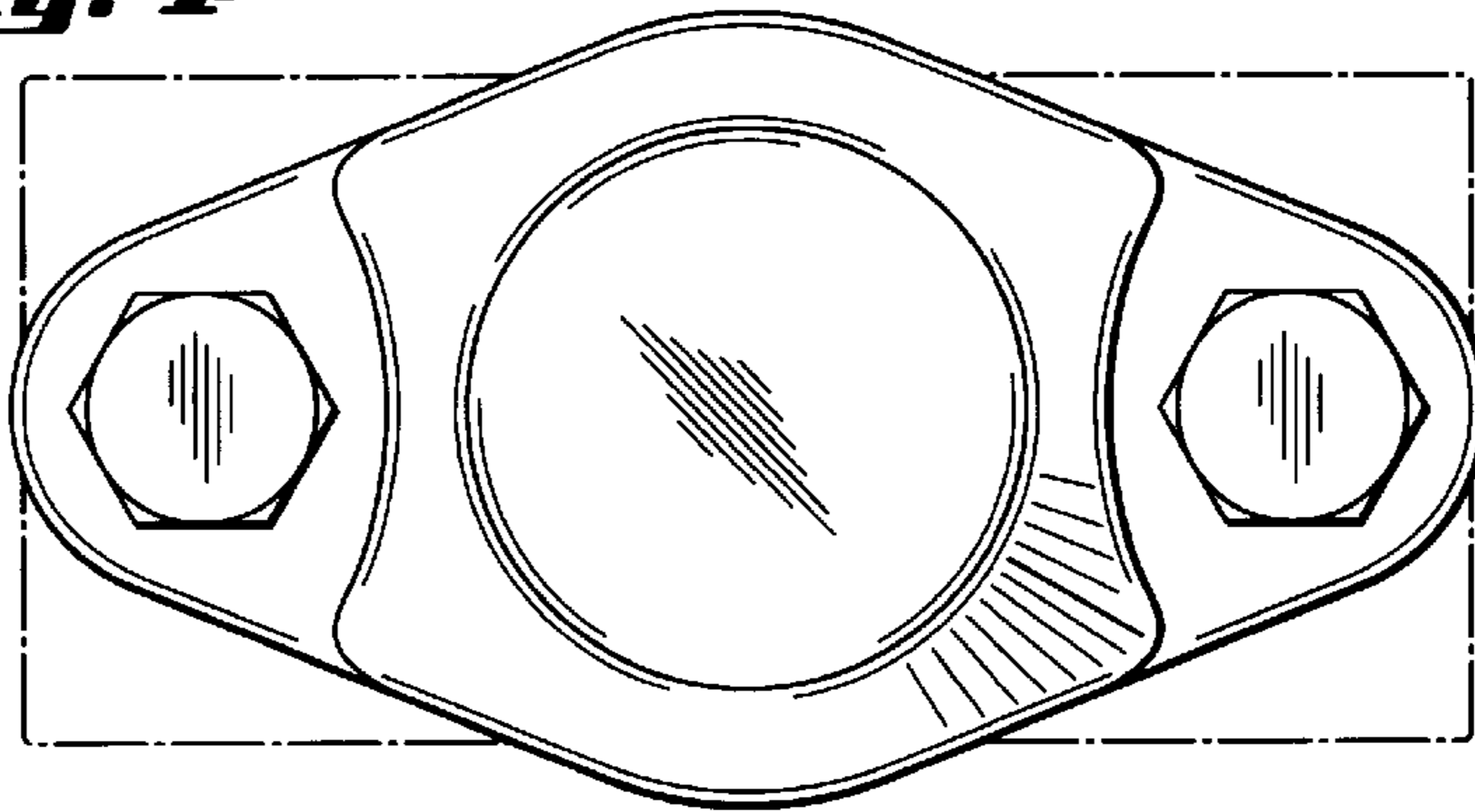


Fig. 5

