



US00D421088S

United States Patent [19]
Douglas

[11] **Patent Number: Des. 421,088**

[45] **Date of Patent: ** Feb. 22, 2000**

[54] **GUARD FOR PREVENTING FISH FROM SWALLOWING HOOK**

5,570,652 11/1996 Ferland 43/124

[76] Inventor: **Johnny Douglas**, P.O. Box 1724,
Syracuse, N.Y. 13201

Primary Examiner—Louis S. Zarfes
Assistant Examiner—Inga-Maria Hyttinen
Attorney, Agent, or Firm—George R. McGuire

[**] Term: **14 Years**

[57] **CLAIM**

[21] Appl. No.: **29/089,752**

The ornamental design for a guard for preventing fish from swallowing hook, as shown and described.

[22] Filed: **Jun. 22, 1998**

DESCRIPTION

[51] **LOC (7) Cl.** **22-05**

[52] **U.S. Cl.** **D22/144**

[58] **Field of Search** D22/134, 144,
D22/149, 199; 43/44.9, 58, 124

FIG. 1 is a perspective view of a guard for preventing fish from swallowing hook showing my new design in condition of use with a fishing line and hook shown in broken lines; FIG. 2 is a top plan view thereof, it being understood that the bottom plan view is a mirror image thereof;

[56] **References Cited**

FIG. 3 is a side elevational view thereof, all other side elevational views being the same except for the placement of the grooves; and,

U.S. PATENT DOCUMENTS

D. 369,397	4/1996	House	D22/134
1,052,547	2/1913	Worthington	43/58
1,060,993	5/1913	Maynard	43/58
1,160,634	11/1915	Maynard	43/1
1,282,423	10/1918	Honan	43/58
2,059,009	10/1936	McCarthy	43/124
2,513,141	6/1950	Carder et al.	43/58
3,605,316	9/1971	Rogers	43/44.9

FIG. 4 is a side view thereof in condition of use, with a fishing line and fish shown in broken lines.

The broken line showing of environmental structure is for illustrative purposes only and forms no part of the claimed design.

1 Claim, 2 Drawing Sheets

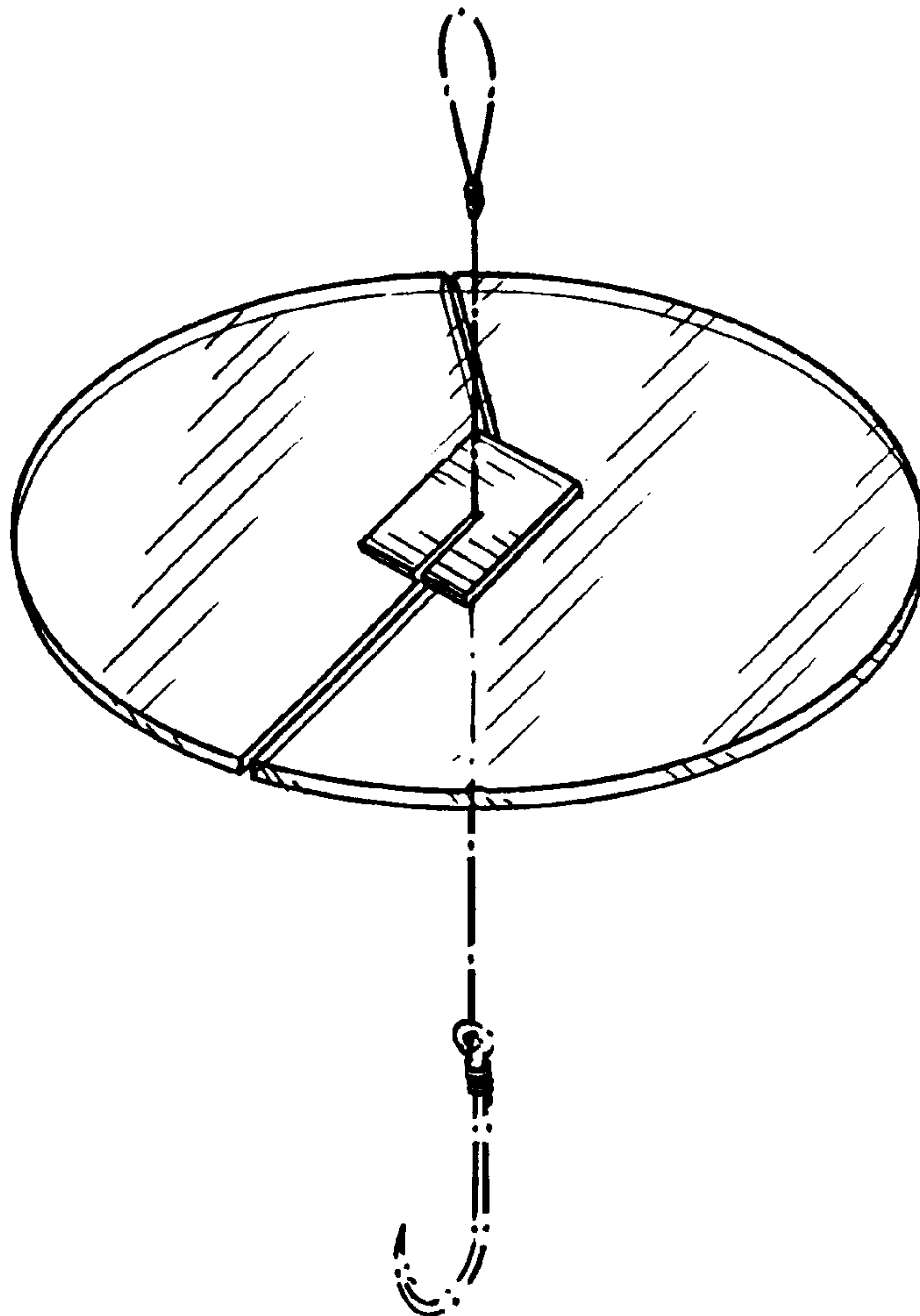


FIG. 1

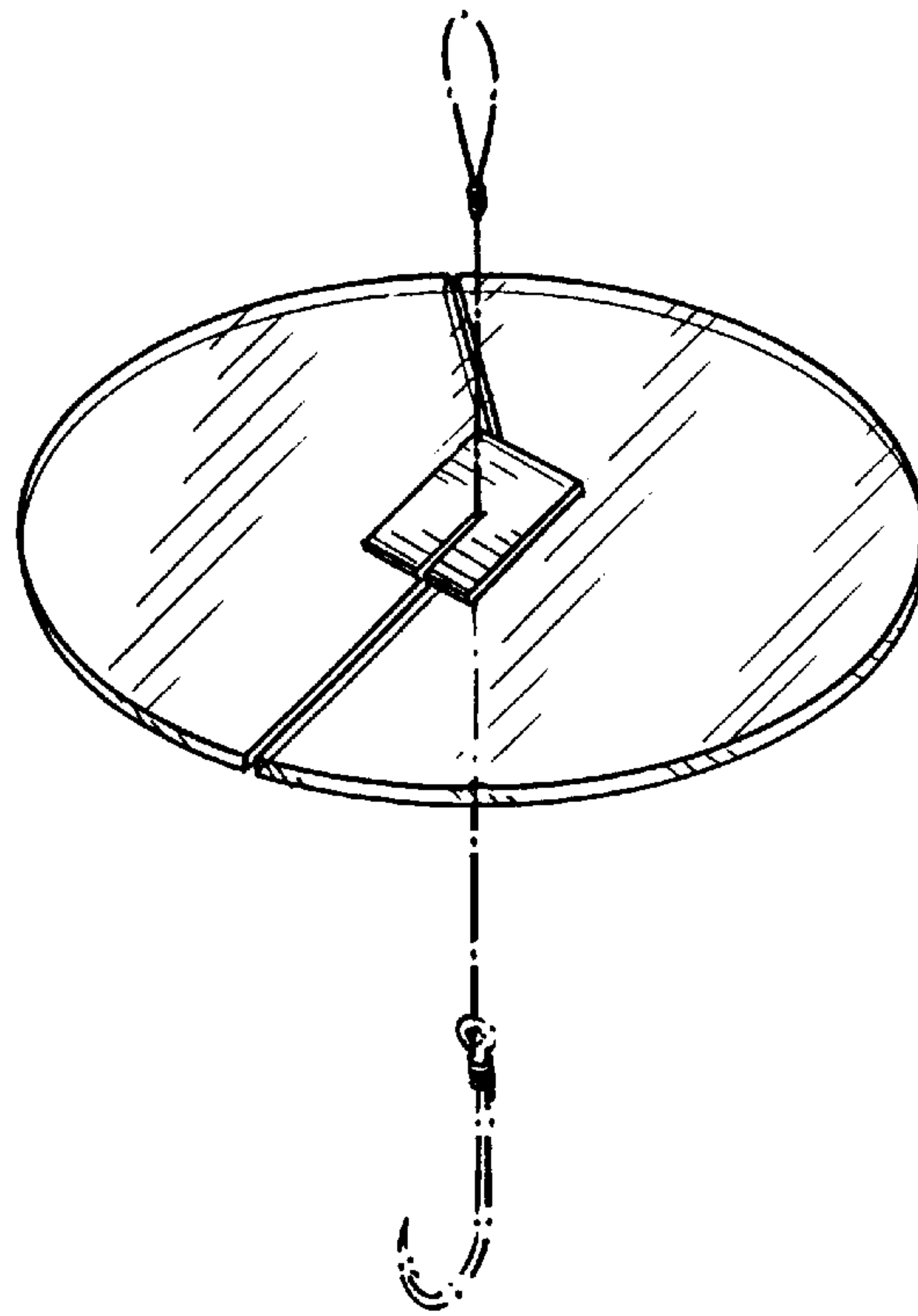


FIG. 2

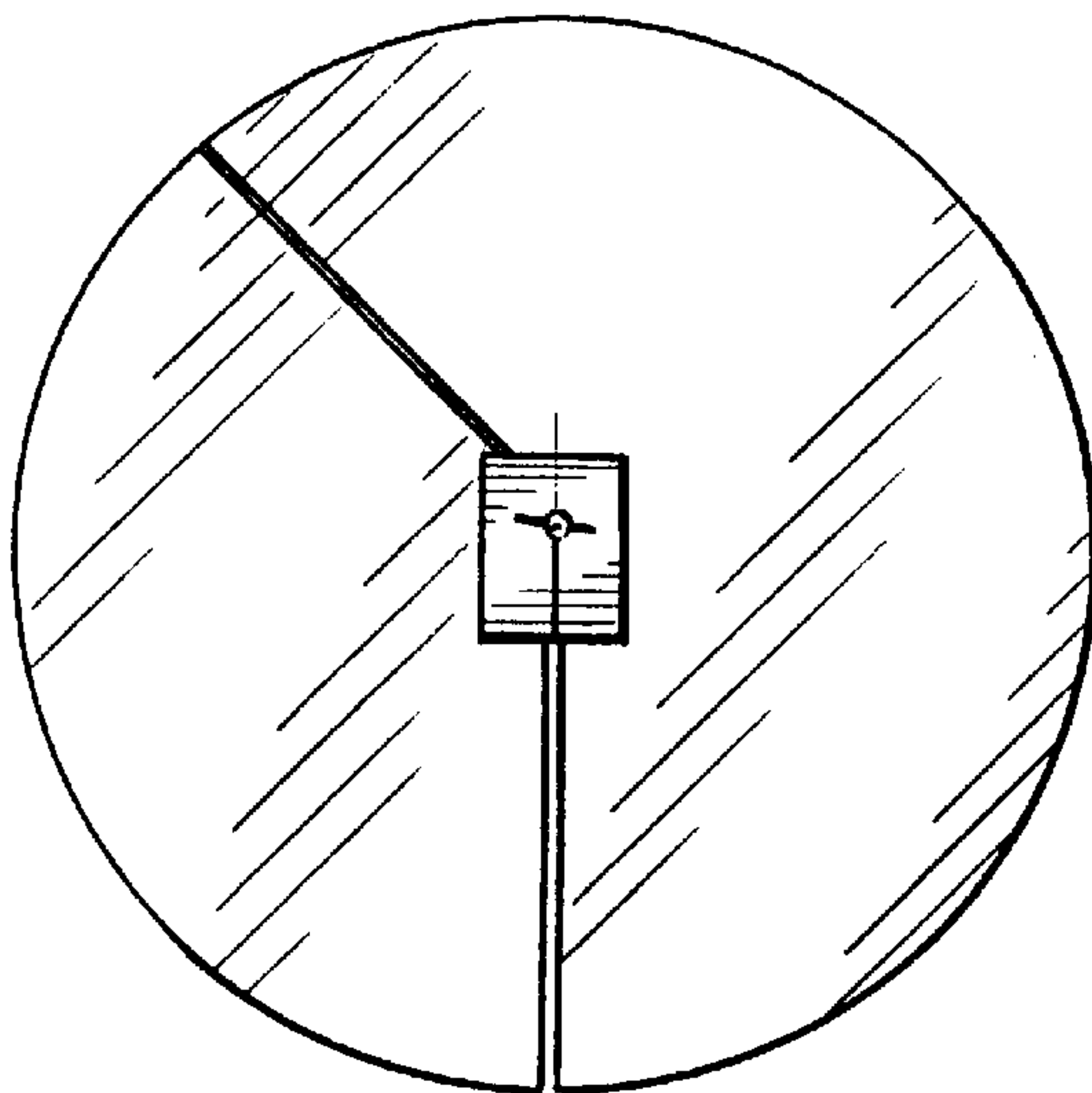


FIG. 3

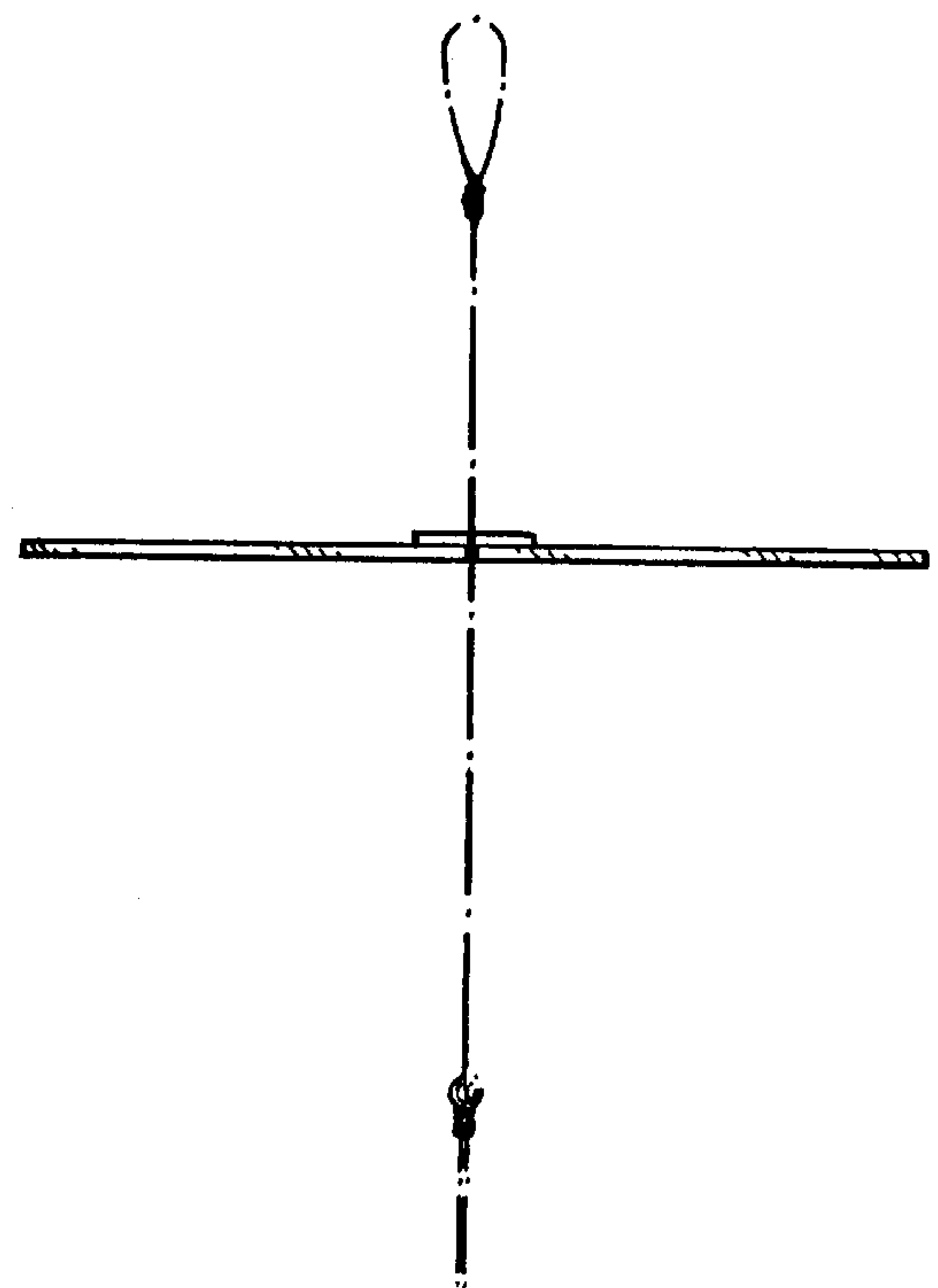




FIG. 4