



US00D421087S

# United States Patent [19]

Kim et al.

[11] Patent Number: **Des. 421,087**

[45] Date of Patent: **\*\* Feb. 22, 2000**

[54] **FISHING REEL DESIGN**

[75] Inventors: **Hyunkyu Kim**, Broken Arrow; **Robert Bagby**, Bixby, both of Okla.; **Richard J. Robbins**, Derby, Kans.

[73] Assignee: **Zebco Division of Brunswick Corporation**, Tulsa, Okla.

[\*\*] Term: **14 Years**

[21] Appl. No.: **29/101,558**

[22] Filed: **Mar. 5, 1999**

[51] **LOC (7) Cl.** ..... **22-05**

[52] **U.S. Cl.** ..... **D22/140**

[58] **Field of Search** ..... D22/137, 138, D22/139, 140, 141; 43/19, 19.2; 242/370, 223, 224, 311

### [56] **References Cited**

#### U.S. PATENT DOCUMENTS

- D. 153,417 4/1949 Clickner ..... D22/140
- D. 212,752 11/1968 Jaquemin ..... D22/137
- D. 223,606 5/1972 Hess ..... D11/140

- D. 281,093 10/1985 Heimovics et al. .... D22/141
- D. 281,190 10/1985 Sakai ..... D22/141
- D. 290,636 6/1987 Robbins et al. .... D22/141
- D. 299,848 2/1989 Hiraishi et al. .... D22/140
- D. 308,090 5/1990 Yeh ..... D22/139

*Primary Examiner*—Louis S. Zarfaz  
*Assistant Examiner*—Inga-Maria Hyttinen  
*Attorney, Agent, or Firm*—Fellers, Snider, Blankenship, Bailey & Tipples

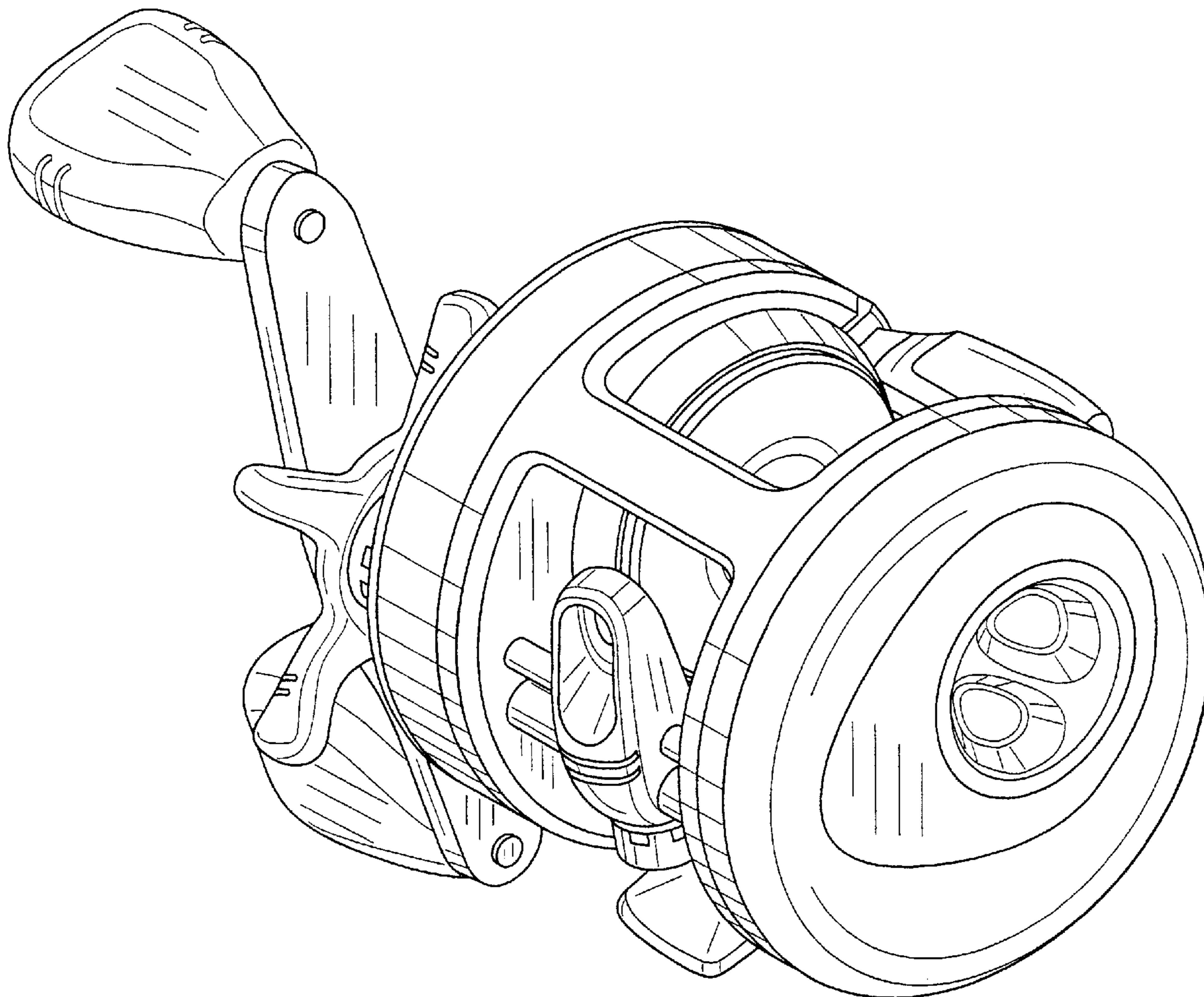
### [57] **CLAIM**

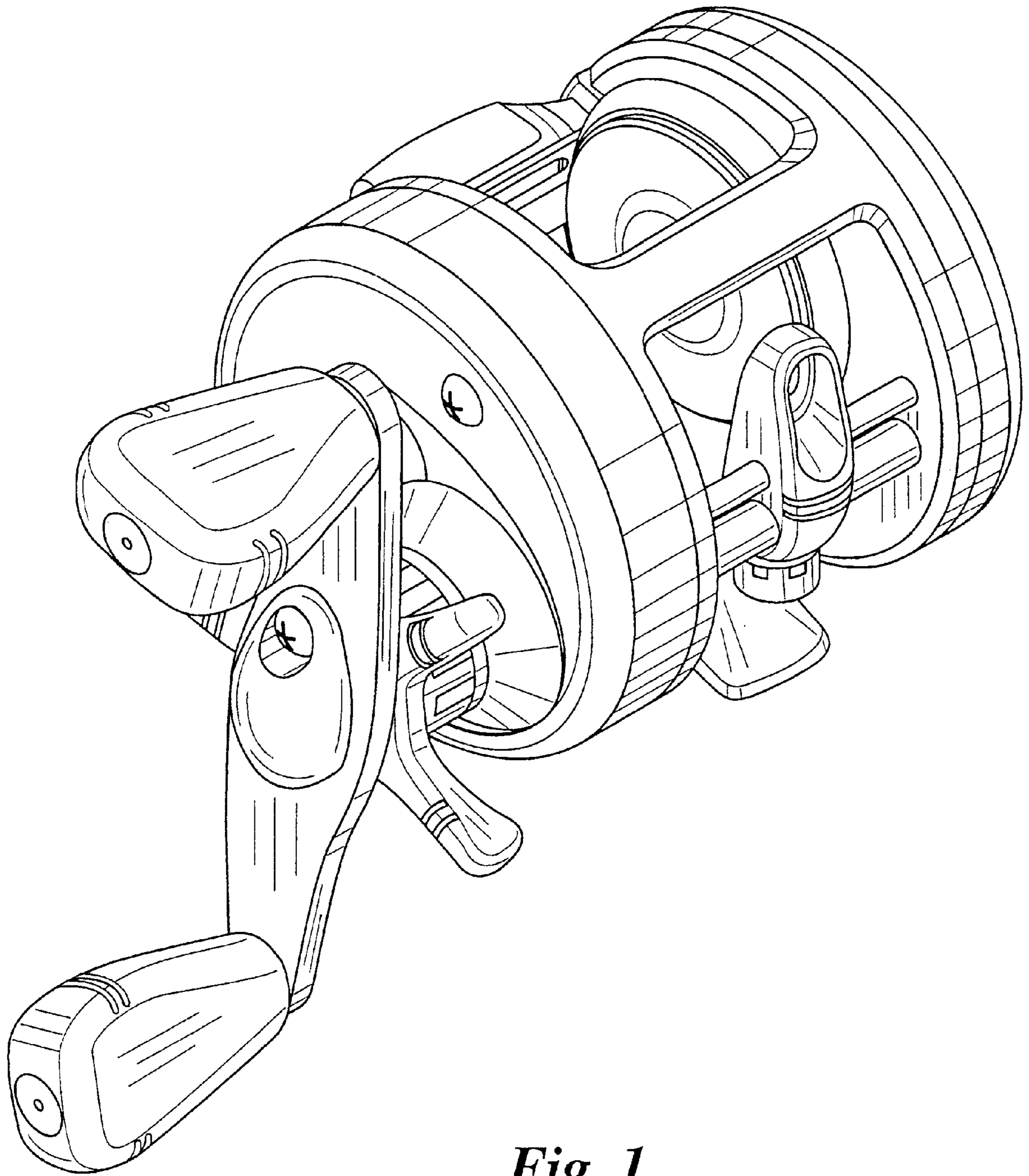
The ornamental design for a fishing reel design, as shown.

### **DESCRIPTION**

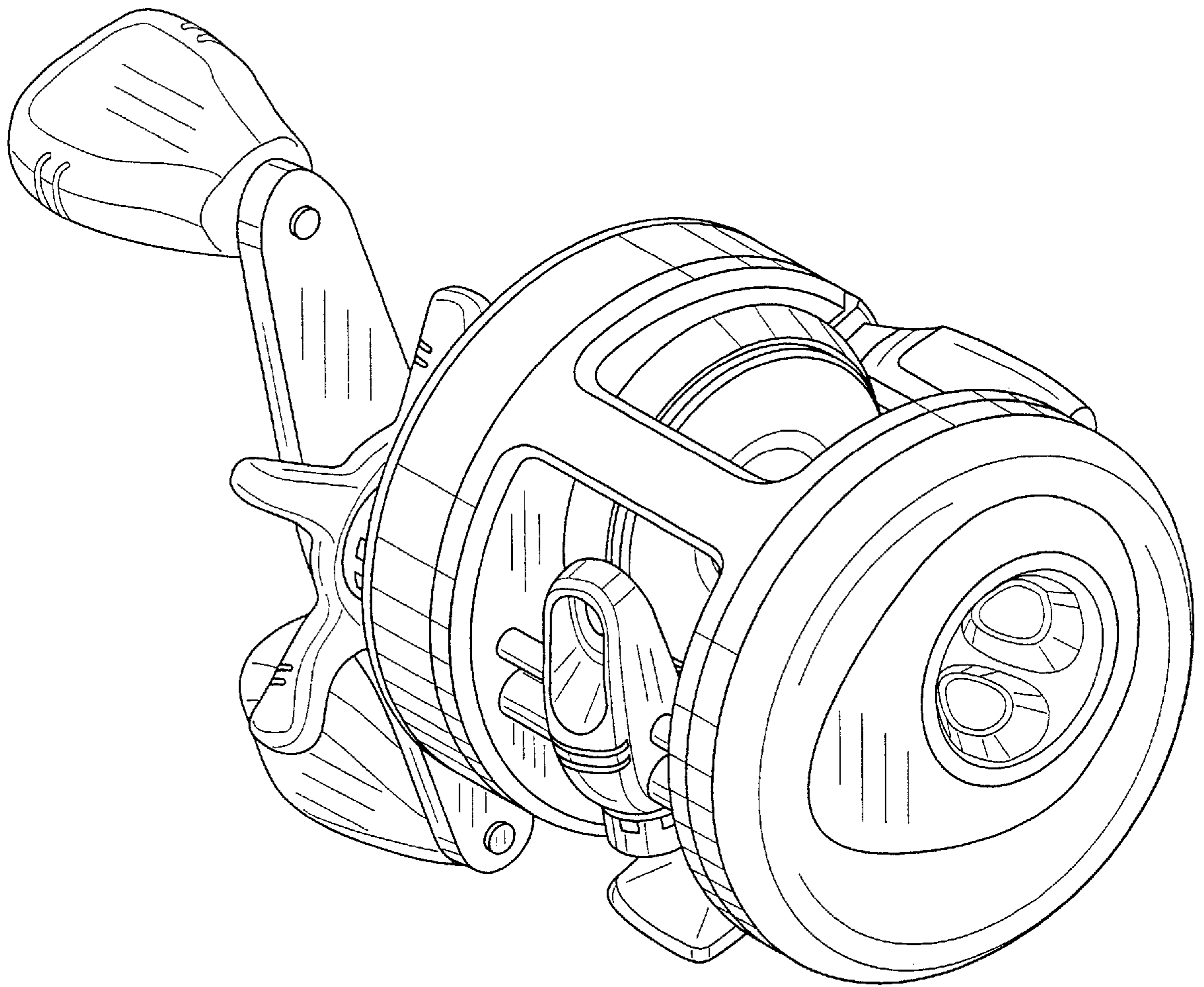
FIG. 1 is a right side perspective view of a fishing reel design showing our new design;  
FIG. 2 is a left side perspective view thereof;  
FIG. 3 is a rear elevational view thereof;  
FIG. 4 is a front elevational view thereof;  
FIG. 5 is a plan view thereof;  
FIG. 6 is a bottom view thereof;  
FIG. 7 is a right side elevational view thereof; and,  
FIG. 8 is a left side elevational view thereof.

**1 Claim, 6 Drawing Sheets**

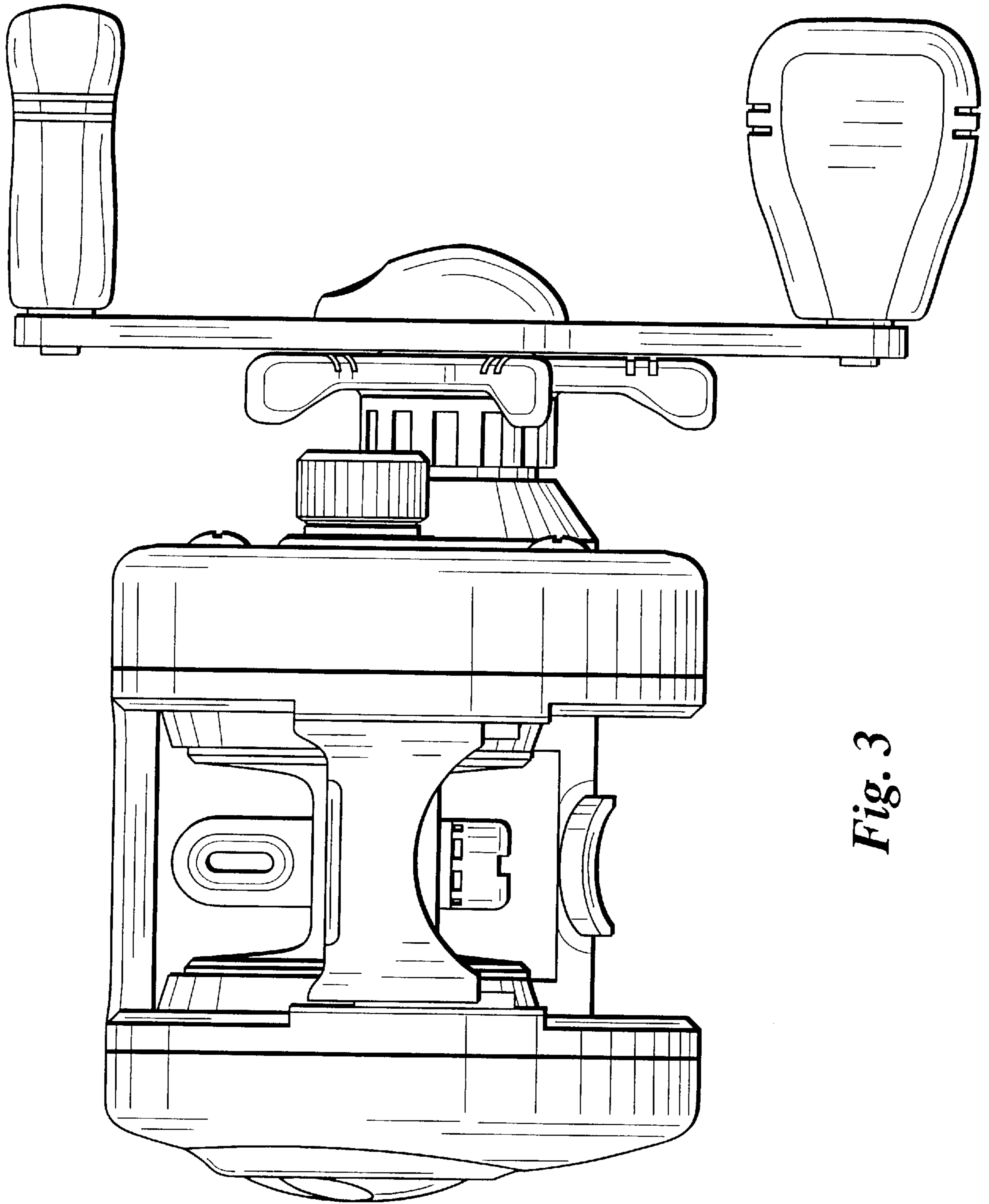




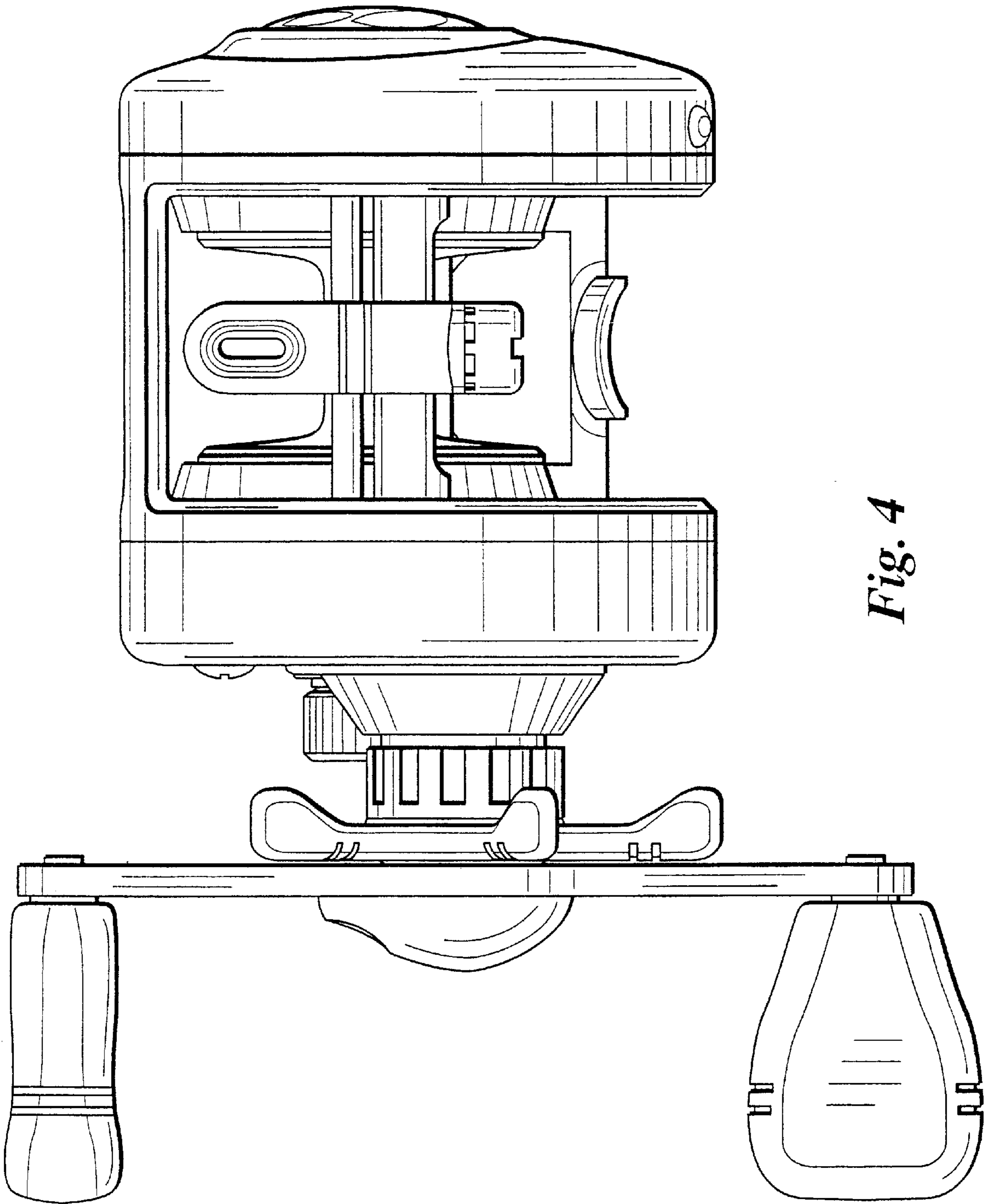
*Fig. 1*



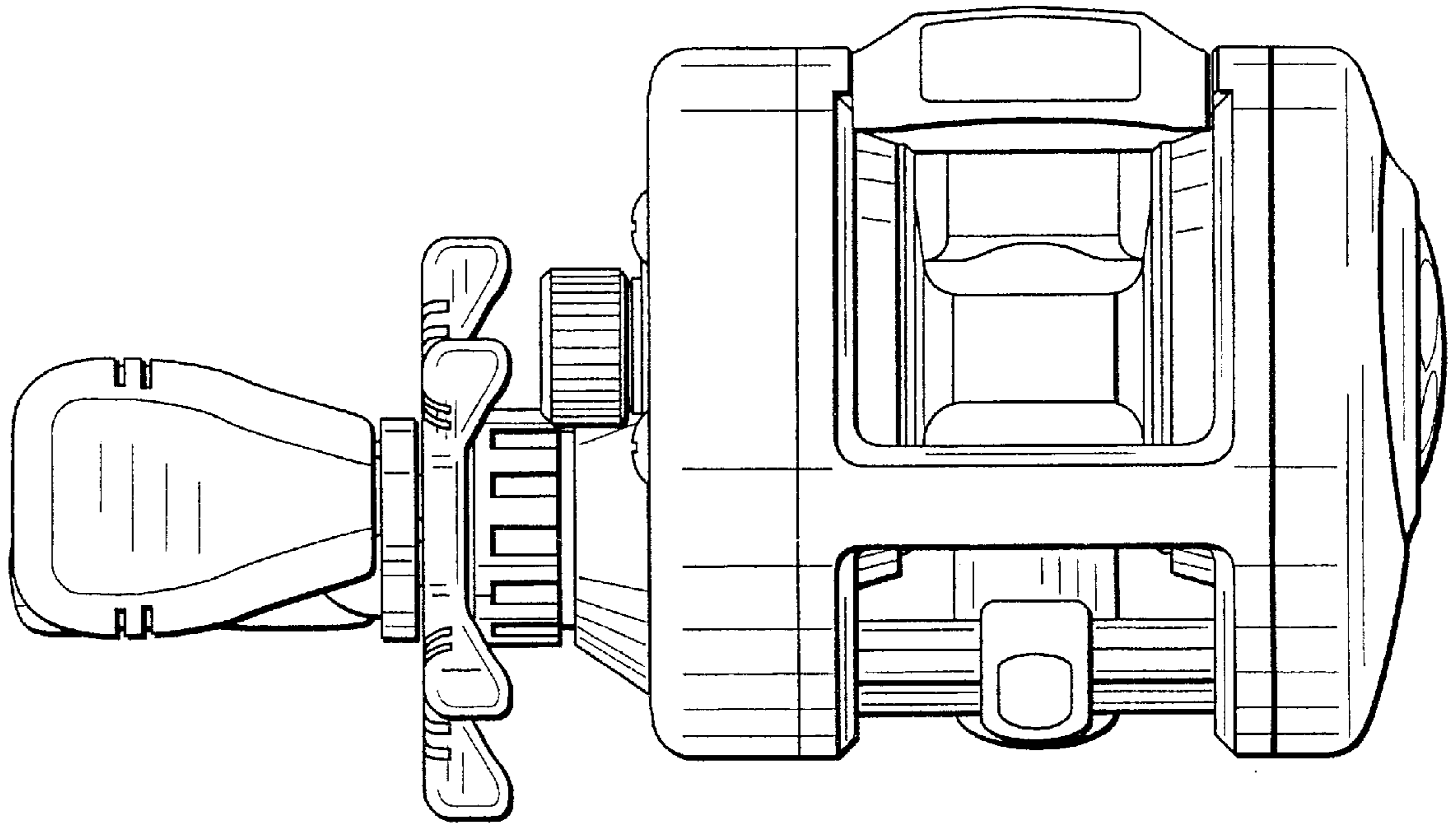
*Fig. 2*



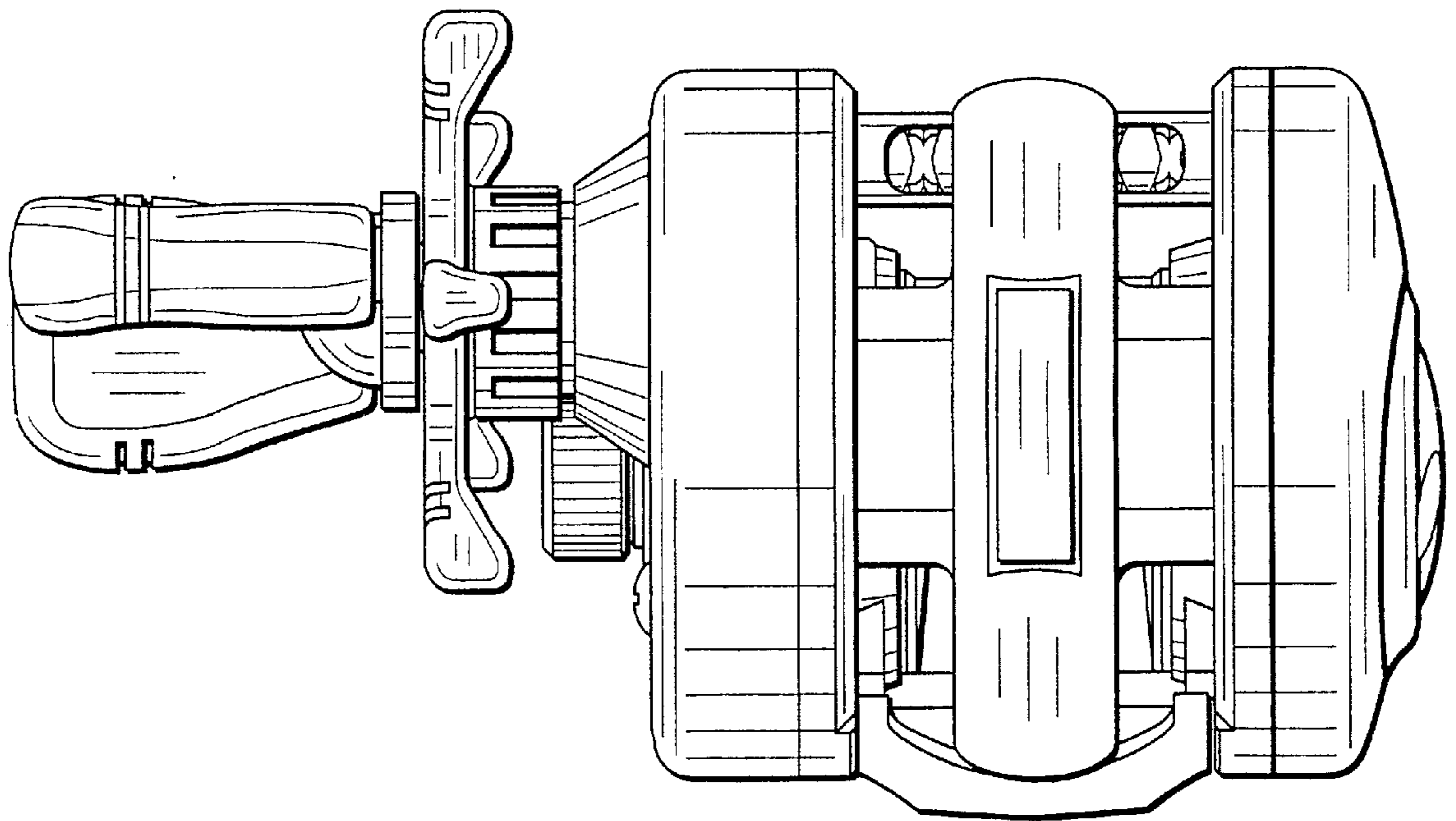
*Fig. 3*



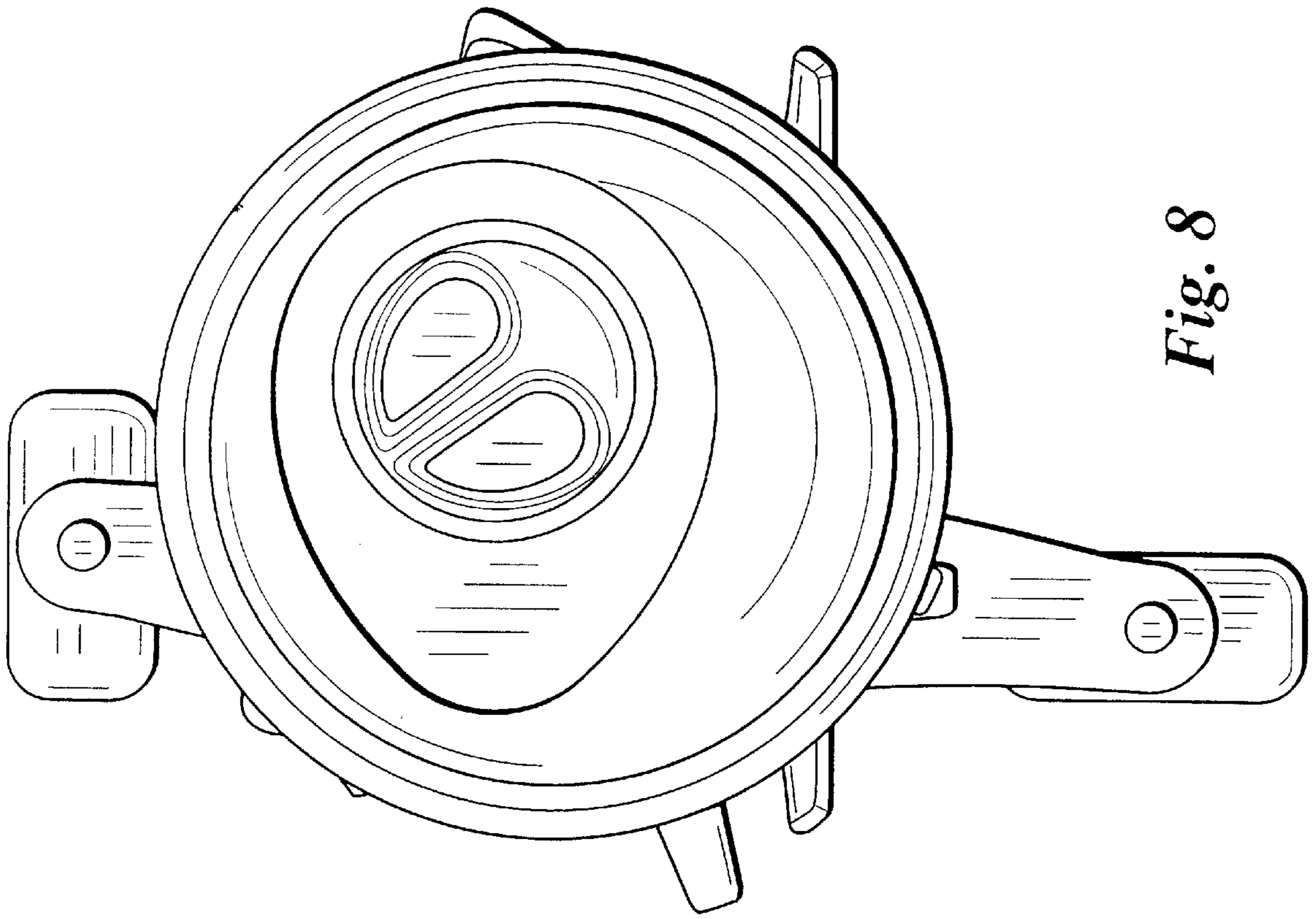
*Fig. 4*



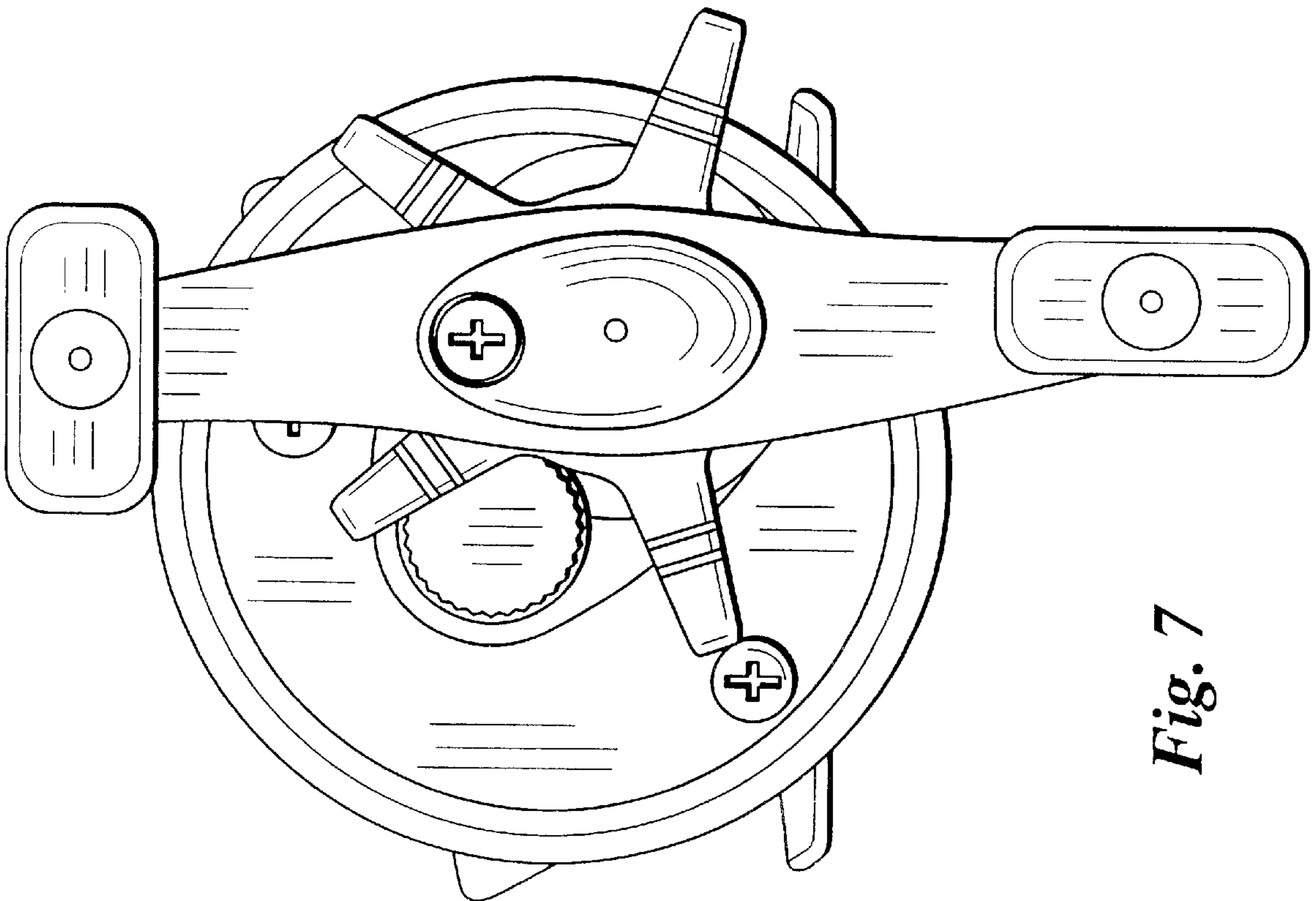
*Fig. 5*



*Fig. 6*



*Fig. 8*



*Fig. 7*