



US00D421083S

**United States Patent** [19]  
**Chen**

[11] **Patent Number: Des. 421,083**

[45] **Date of Patent: \*\* Feb. 22, 2000**

[54] **WHEEL FOR ROLLER SKATES**

OTHER PUBLICATIONS

[75] Inventor: **Ting-Hsing Chen**, Tainan Hsien, Taiwan

Inferno In-Line Skates Wheels & Accessories, dated Mar. 4, 1997. P. 1, 72 mm, 85A replacement wheel. www.senecasports.com/infern.html.

[73] Assignee: **Far Great Plastics Industrial Co., Ltd.**, Tainan Hsien, Taiwan

*Primary Examiner*—Sandra L. Morris  
*Attorney, Agent, or Firm*—Rosenberg, Klein & Lee

[\*\*] Term: **14 Years**

[57] **CLAIM**

[21] Appl. No.: **29/103,347**

The ornamental design for a wheel for roller skates, as shown and described.

[22] Filed: **Apr. 13, 1999**

**DESCRIPTION**

[51] **LOC (7) Cl.** ..... **21-02**

[52] **U.S. Cl.** ..... **D21/779**

[58] **Field of Search** ..... D21/760, 763-765, D21/771, 779; 280/11.19, 11.2, 11.22, 11.26, 11.27; 301/5.3, 5.7

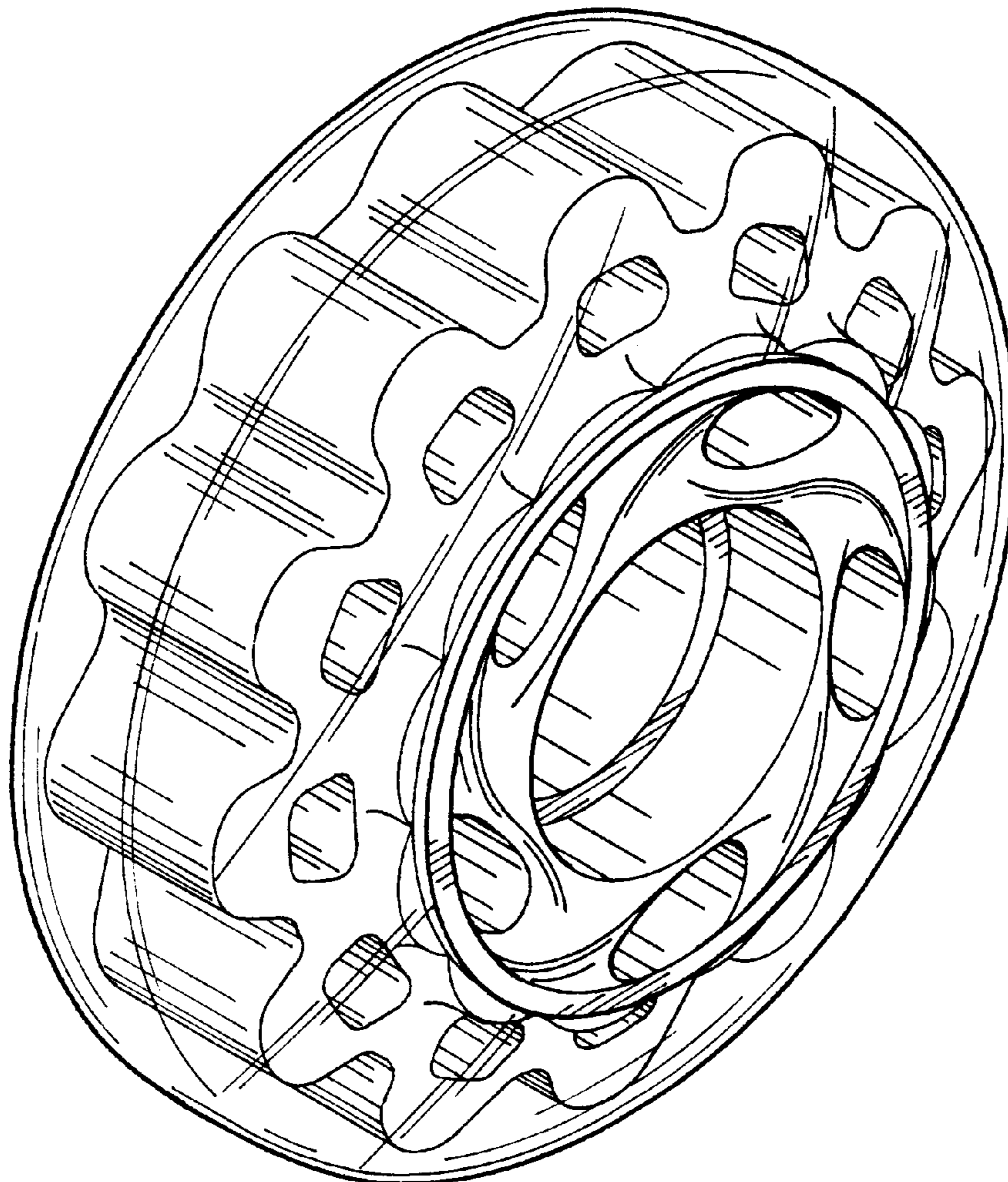
FIG. 1 is a perspective view of a wheel for roller skates showing my present design;  
FIG. 2 is a front view thereof;  
FIG. 3 is a rear view thereof;  
FIG. 4 is a left view thereof;  
FIG. 5 is a right view thereof;  
FIG. 6 is a top plan view thereof; and,  
FIG. 7 is a bottom plan view.

[56] **References Cited**

**U.S. PATENT DOCUMENTS**

D. 391,331	2/1998	Lee	.....	D21/779
D. 403,729	1/1999	Portzline	.....	D21/779
5,897,170	4/1999	Keleny	.....	301/5.3

**1 Claim, 4 Drawing Sheets**



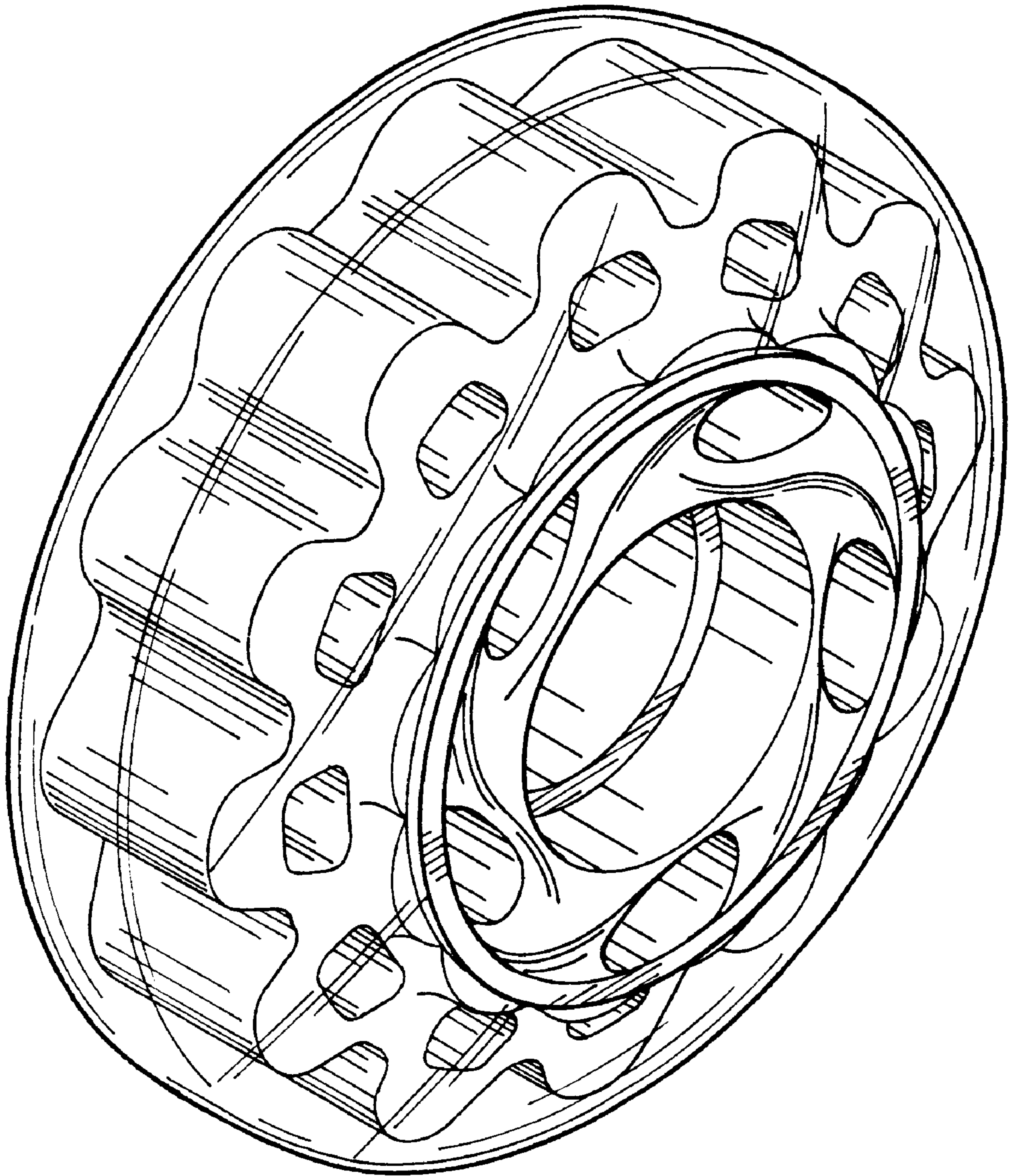
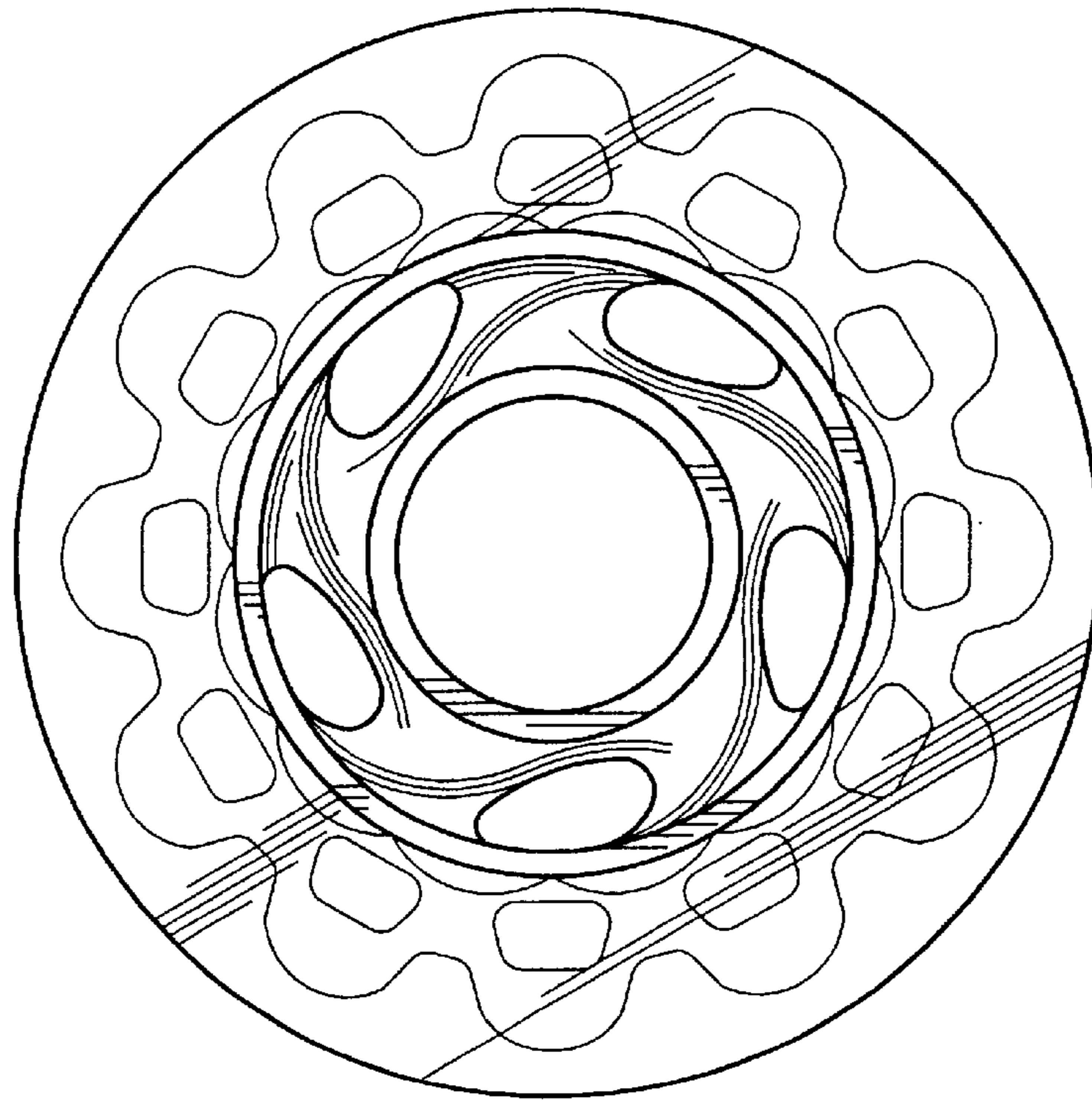
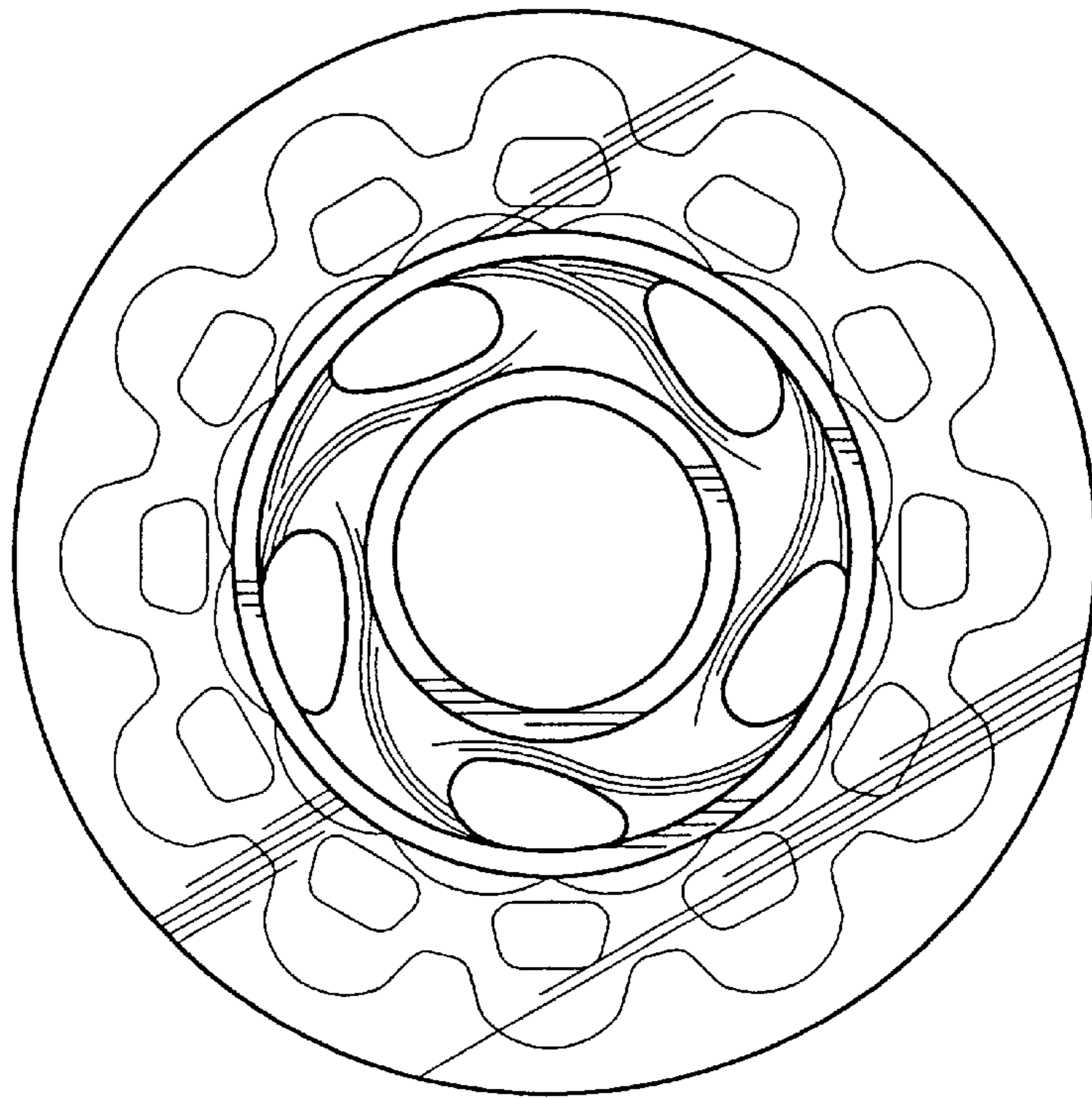


FIG. 1



F I G . 2



F I G . 3

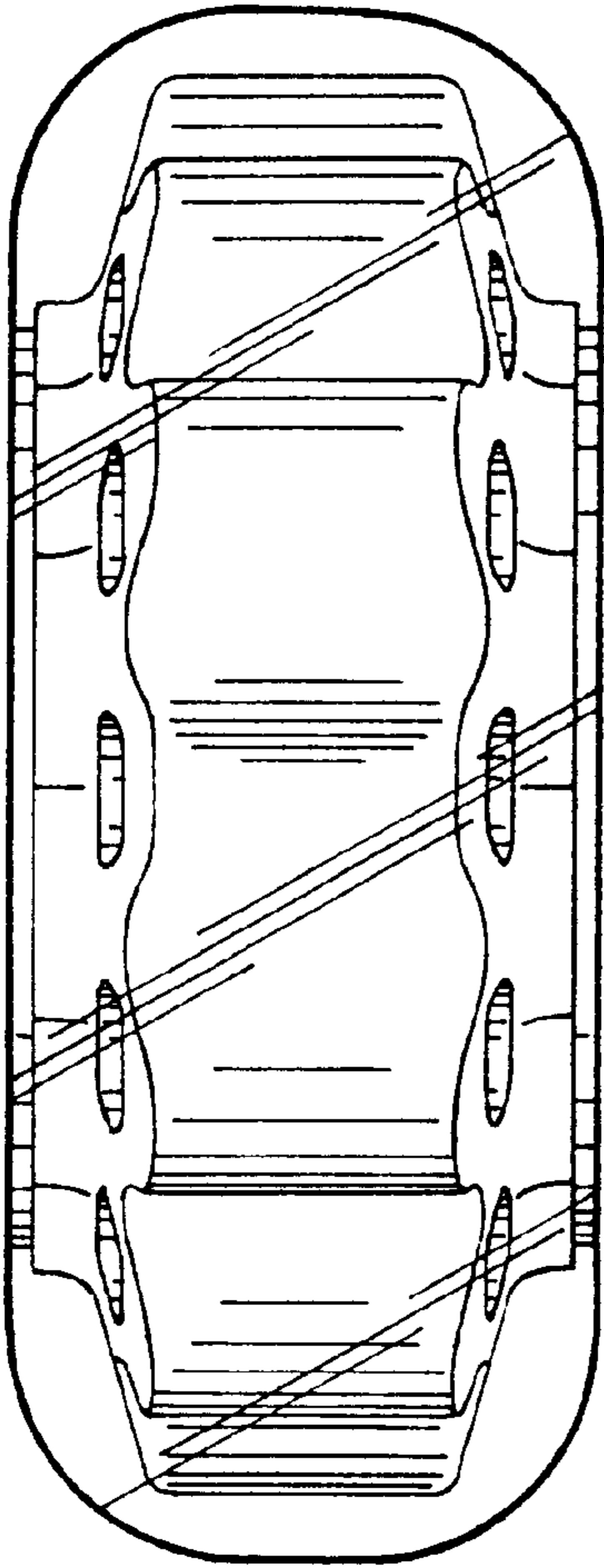


FIG. 4

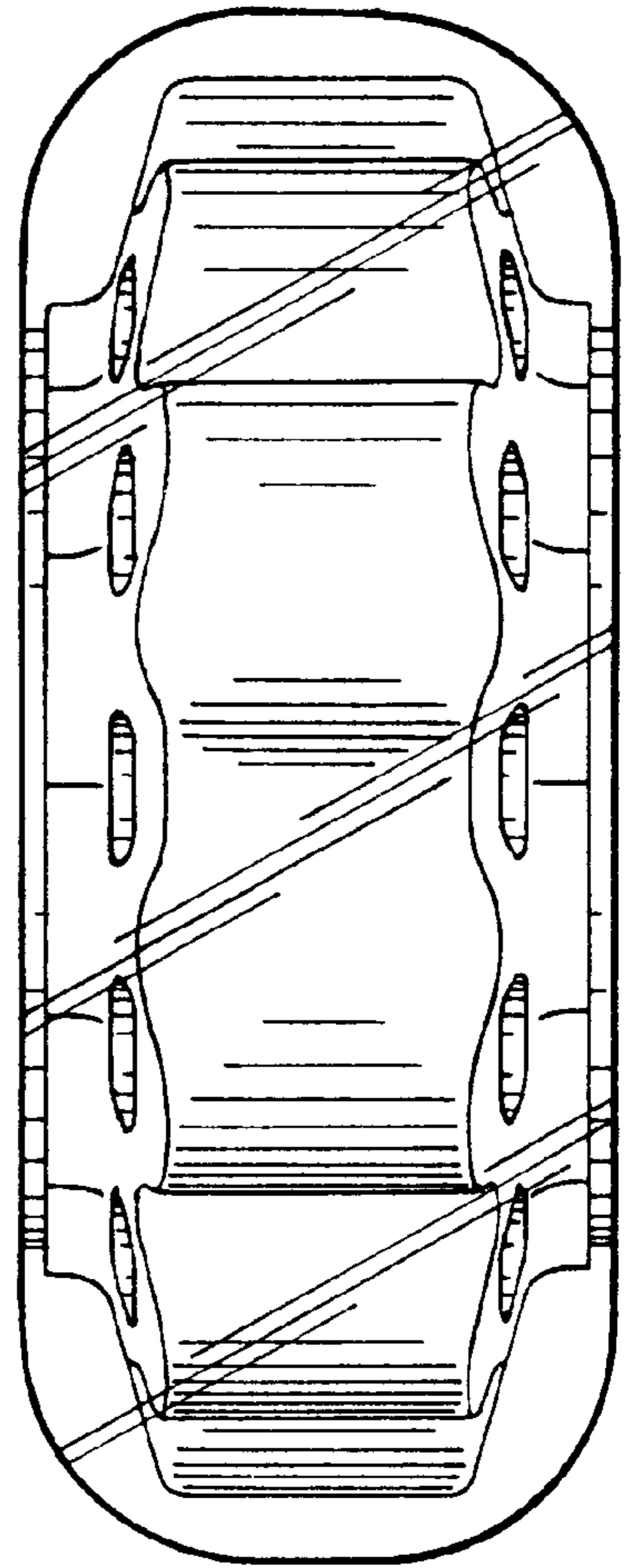


FIG. 5

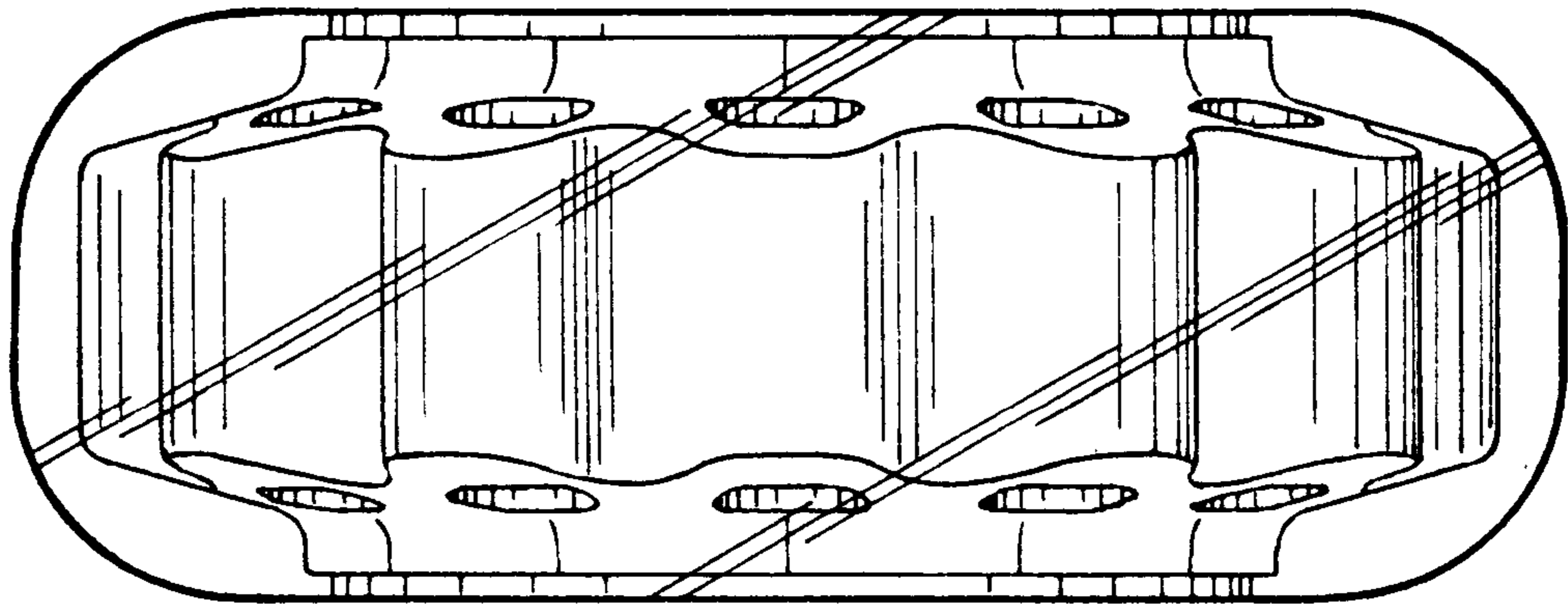


FIG. 6

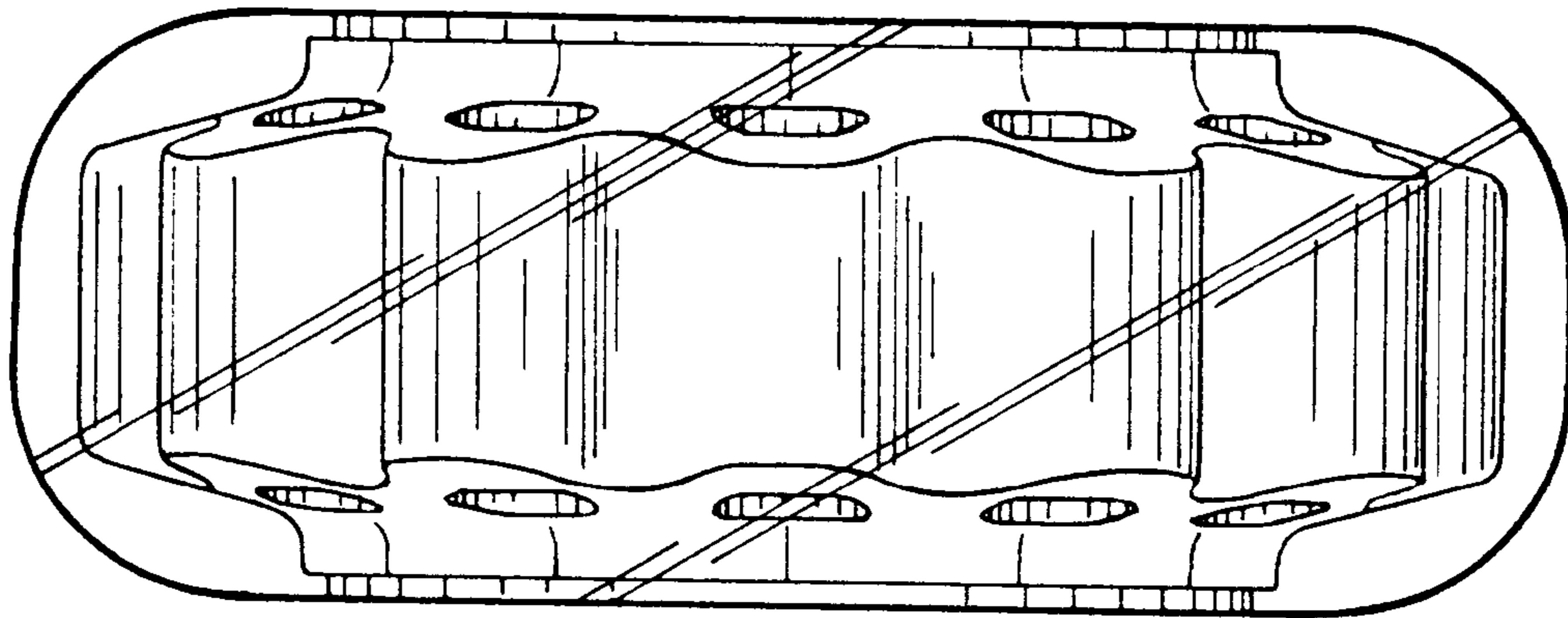


FIG. 7