



US00D421082S

United States Patent [19]

Lopez

[11] Patent Number: **Des. 421,082**

[45] Date of Patent: **** Feb. 22, 2000**

[54] **HANGER FOR SKATEBOARD TRUCK**

4,166,629	9/1979	List	280/11.28
4,184,693	1/1980	Whitmarsh	280/11.28
4,398,734	8/1983	Barnard	280/11.28

[76] Inventor: **Vincent P. Lopez**, 3055 Rutgers Ave., Long Beach, Calif. 90808

[**] Term: **14 Years**

Primary Examiner—Sandra L. Morris
Attorney, Agent, or Firm—Timothy Thut Tyson; Freilich, Hornbaker & Rosen

[21] Appl. No.: **29/084,475**

[57] **CLAIM**

[22] Filed: **Feb. 16, 1998**

The ornamental design for a hanger for skateboard truck, as shown.

[51] **LOC (7) Cl.** **21-02**

[52] **U.S. Cl.** **D21/771; D21/779**

[58] **Field of Search** D21/765, 771, D21/779; D12/112; 280/11.26–11.28, 87.1

DESCRIPTION

[56] **References Cited**

FIG. 1 is a top plan view of a hanger for skateboard truck showing my new design;
FIG. 2 is a front elevation thereof;
FIG. 3 is a left side elevational view thereof;
FIG. 4 is a bottom plan view thereof;
FIG. 5 is a rear elevation view thereof; and,
FIG. 6 is a right side elevation view thereof.

U.S. PATENT DOCUMENTS

D. 252,693	8/1979	Brawner	D21/779
D. 256,263	8/1980	Brawner	D21/779
D. 257,051	9/1980	Chambers	D21/779
D. 404,784	1/1999	Ramage	D21/771
4,109,925	8/1978	Williams et al.	280/11.28

1 Claim, 2 Drawing Sheets

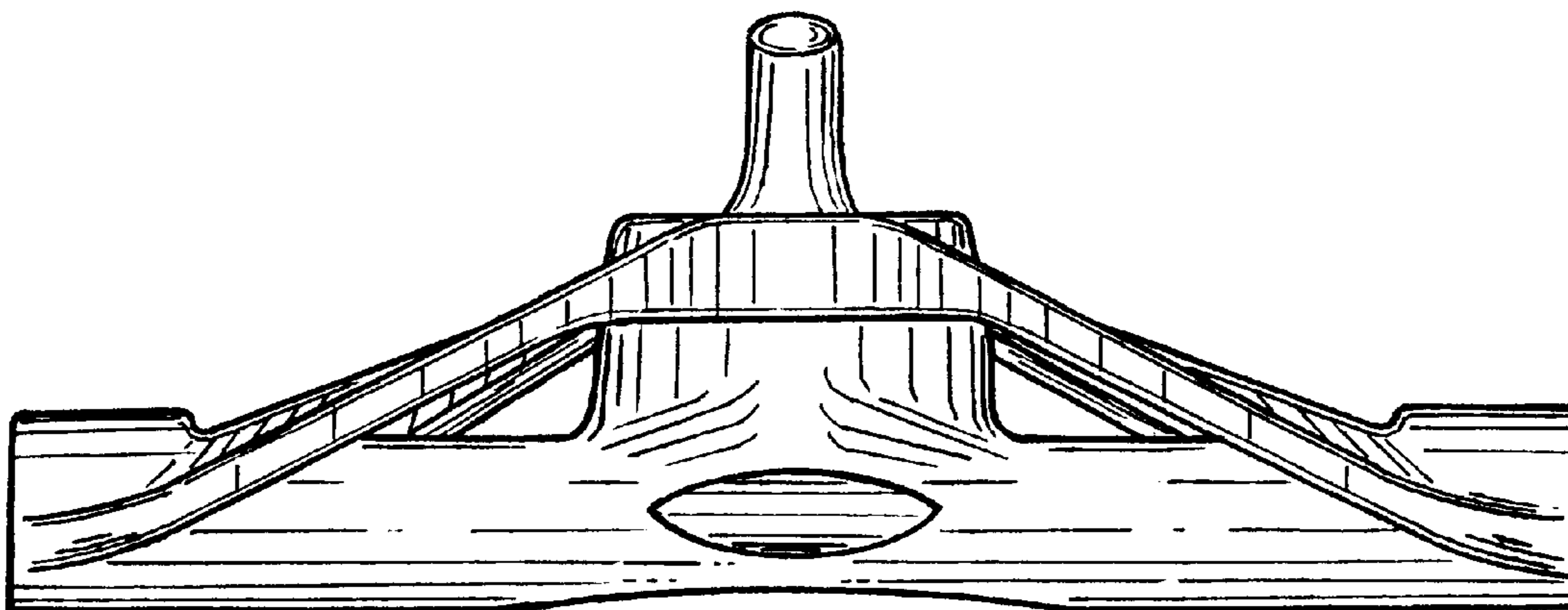


FIG. 1

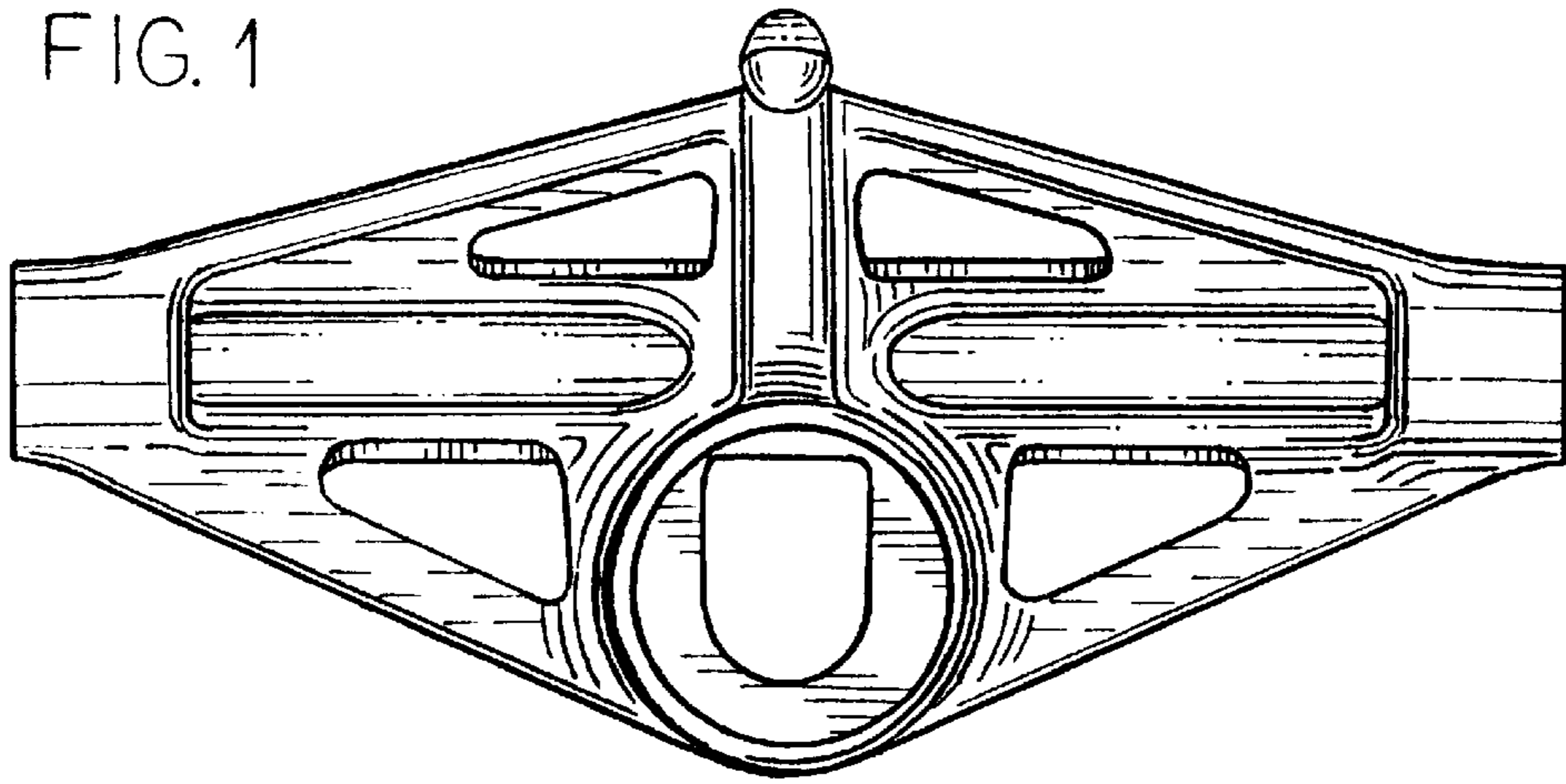


FIG. 2

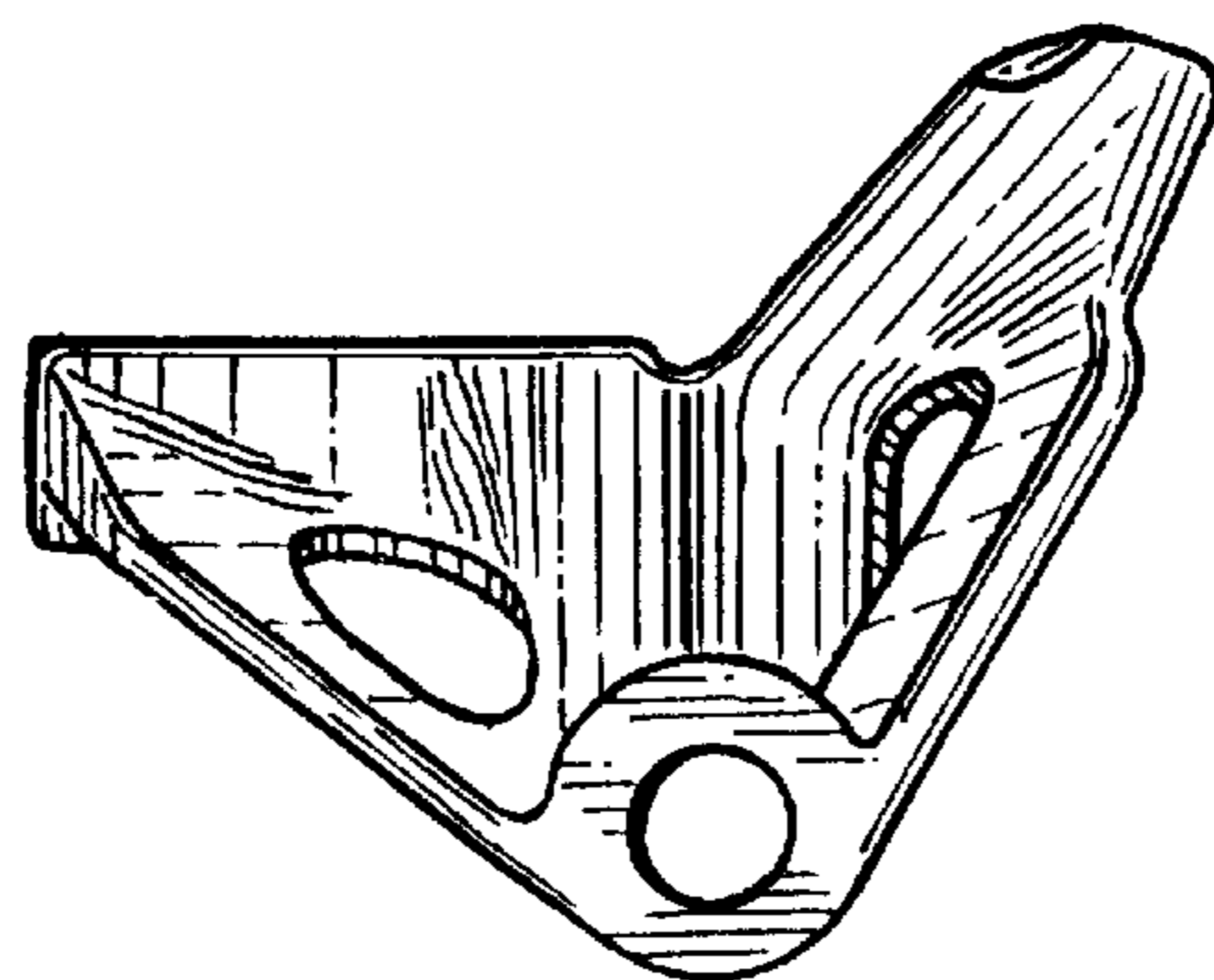
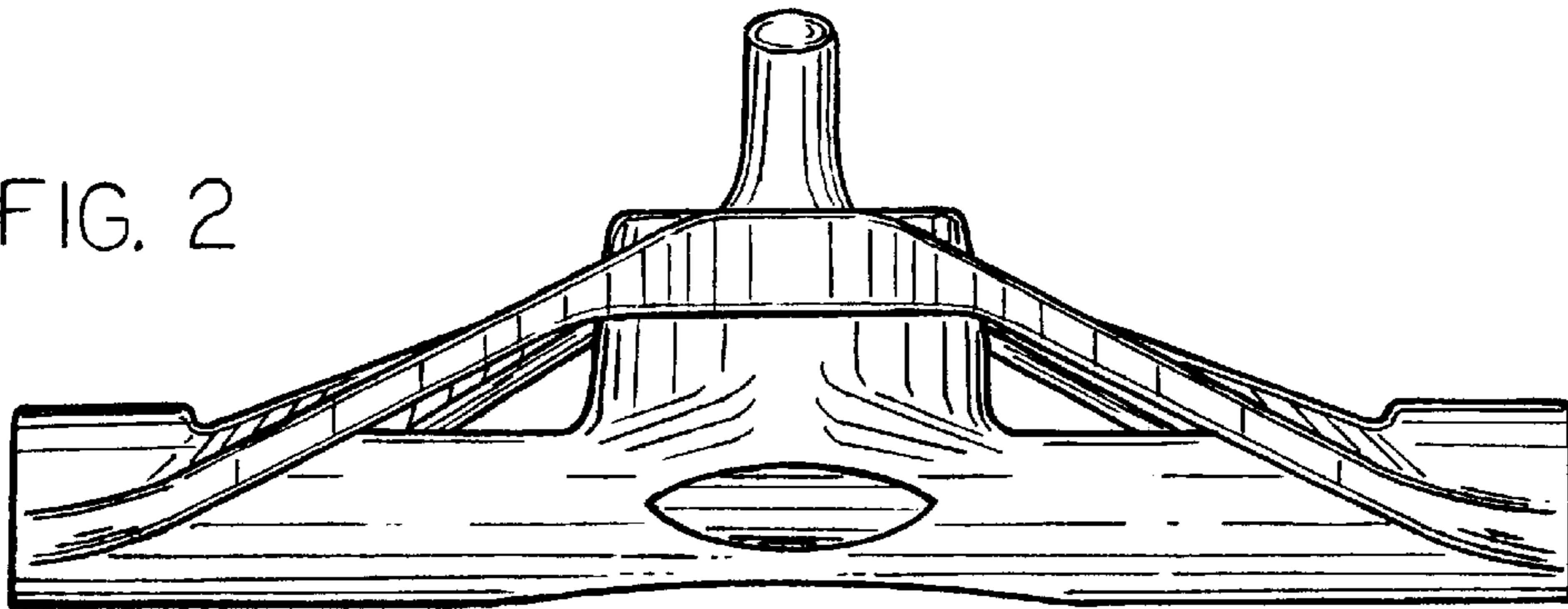


FIG. 3

FIG. 4

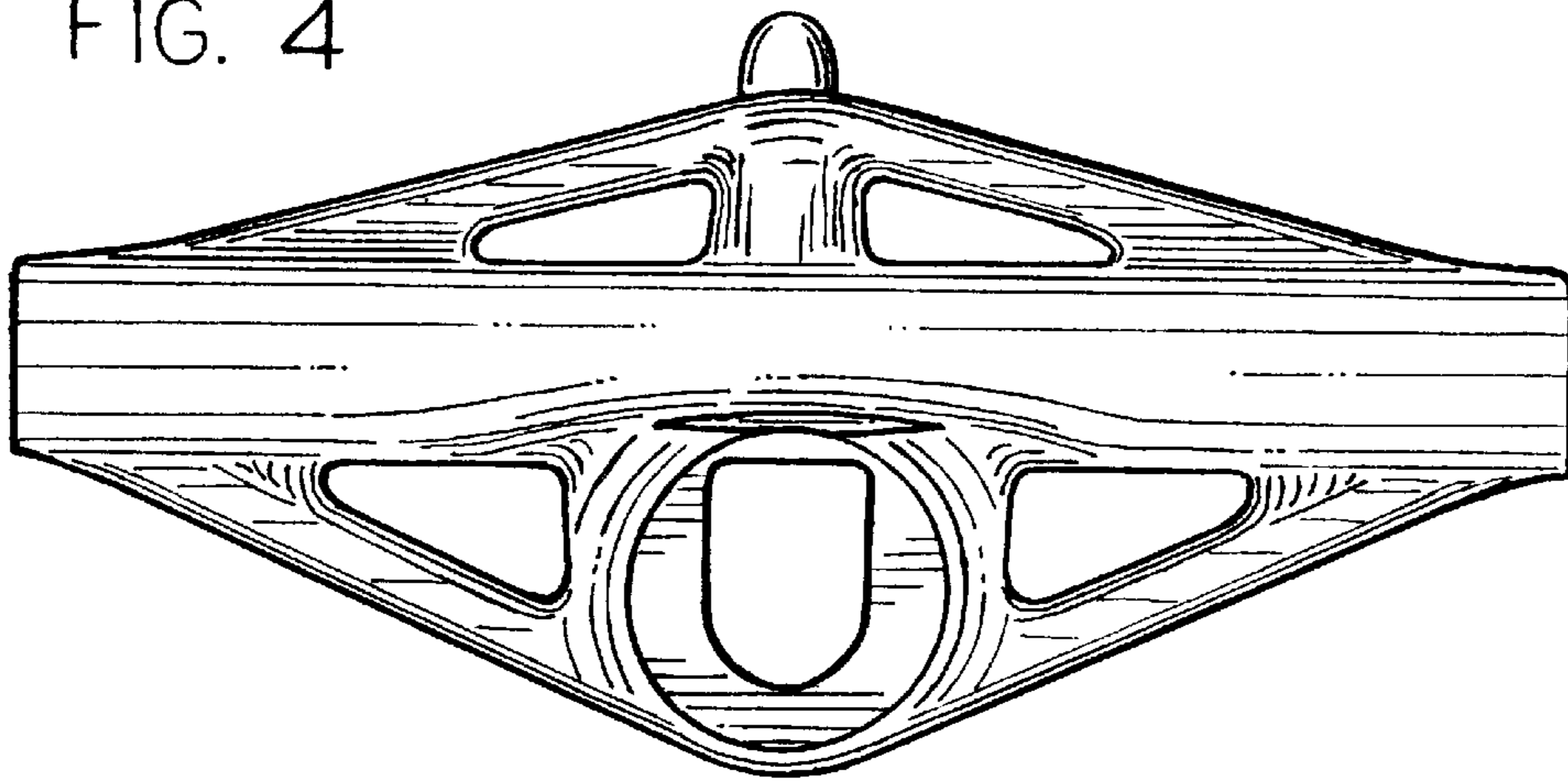


FIG. 5

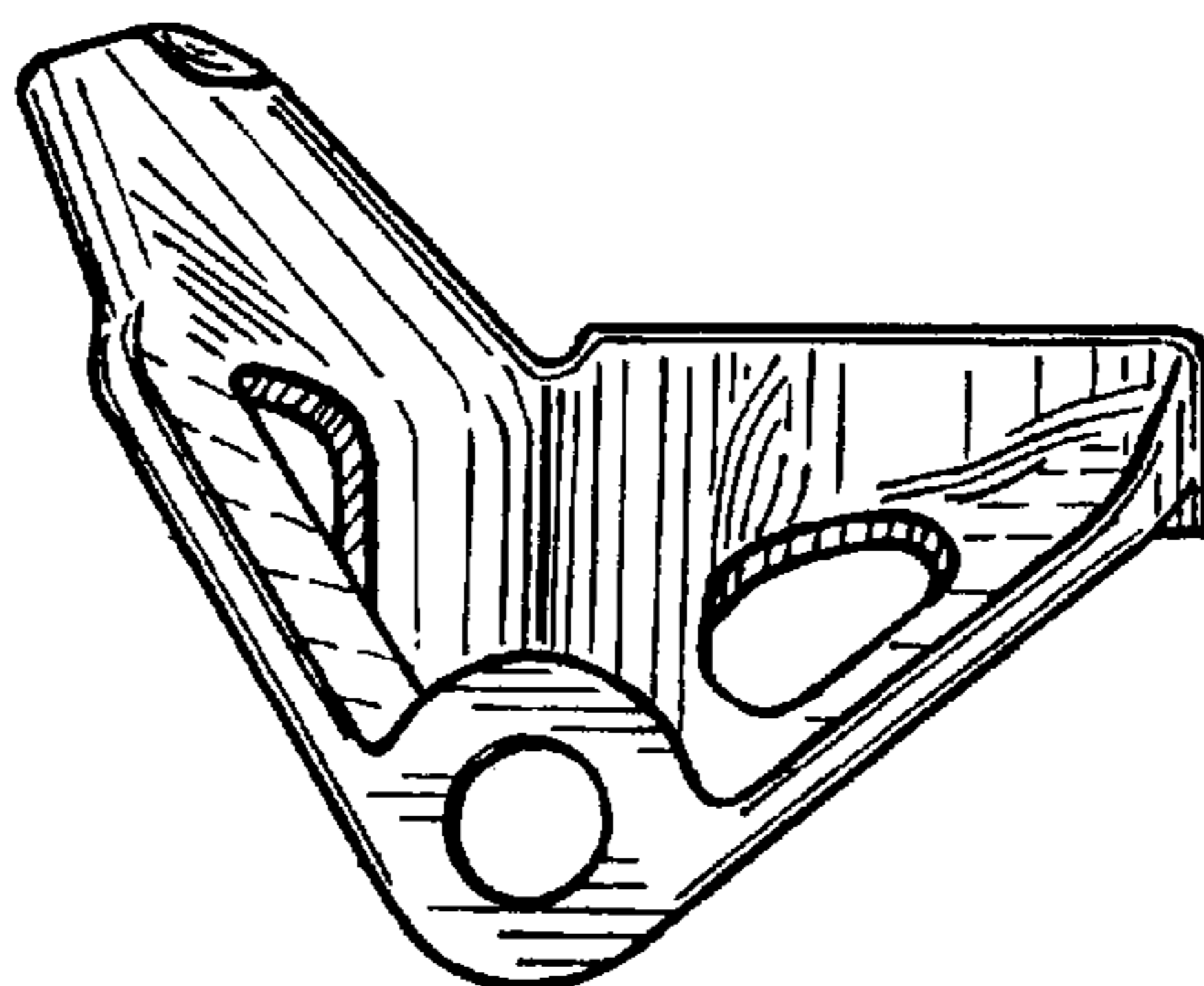
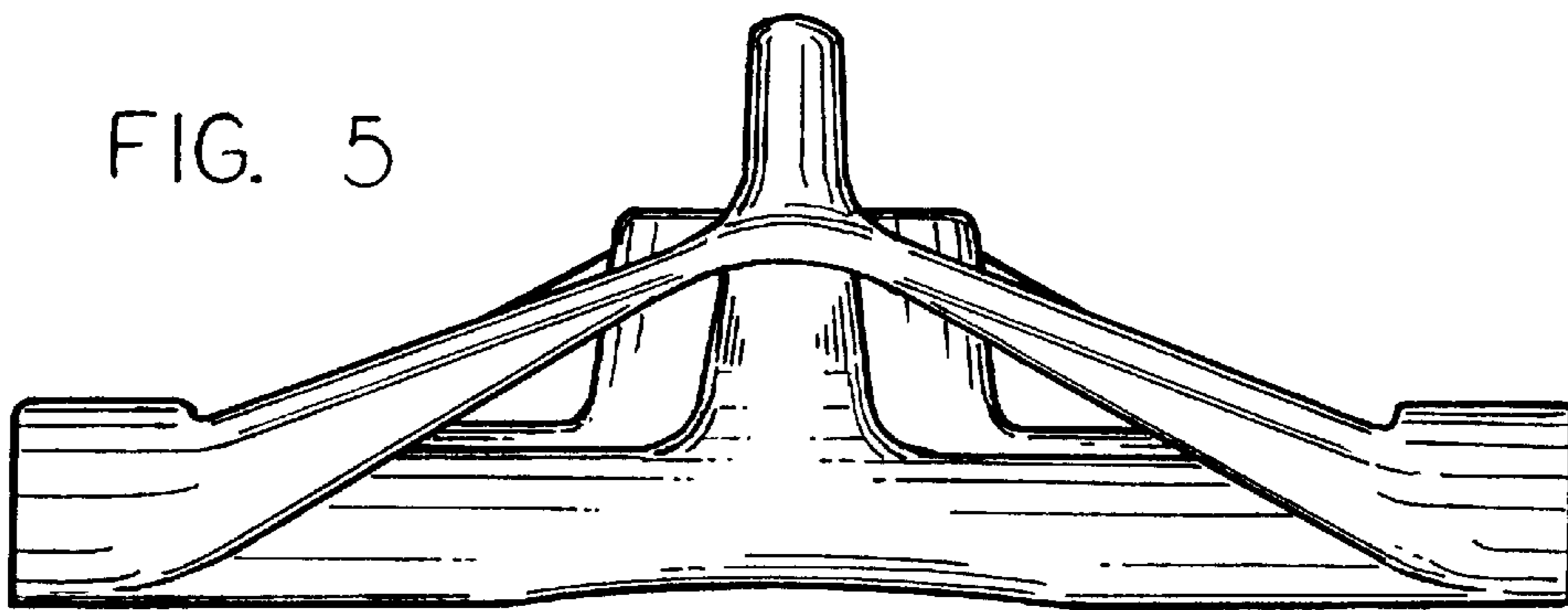


FIG. 6