



US00D421081S

# United States Patent [19]

[11] **Patent Number: Des. 421,081**

**Antonious**

[45] **Date of Patent: \*\* Feb. 22, 2000**

[54] **SURFACE INDENTATIONS ON A PUTTER-TYPE GOLF CLUB HEAD**

D. 303,699	9/1989	Chorne .....	D21/750
D. 335,694	5/1993	Stuff .....	D21/744
1,854,548	4/1932	Hunt .....	473/331

[76] Inventor: **Anthony J. Antonious**, 7738 Calle Facil, Sarasota, Fla. 34238

*Primary Examiner*—Mitchell Siegel  
*Attorney, Agent, or Firm*—Aquilino, Welsh & Flaxman

[\*\*] Term: **14 Years**

[57] **CLAIM**

[21] Appl. No.: **29/105,277**

The ornamental design for a surface indentations on a putter-type golf club head, as shown and described.

[22] Filed: **May 21, 1999**

**DESCRIPTION**

[51] **LOC (7) Cl.** ..... **21-02**

[52] **U.S. Cl.** ..... **D21/759**

[58] **Field of Search** ..... D21/733-752,  
D21/759; 473/324, 329-331, 350, 340,  
341, 345, 346

FIG. 1 is a front elevational view of a surface indentations on a putter-type golf club head showing my new design.

FIG. 2 is a front perspective view thereof; and,

FIG. 3 is a bottom perspective view thereof.

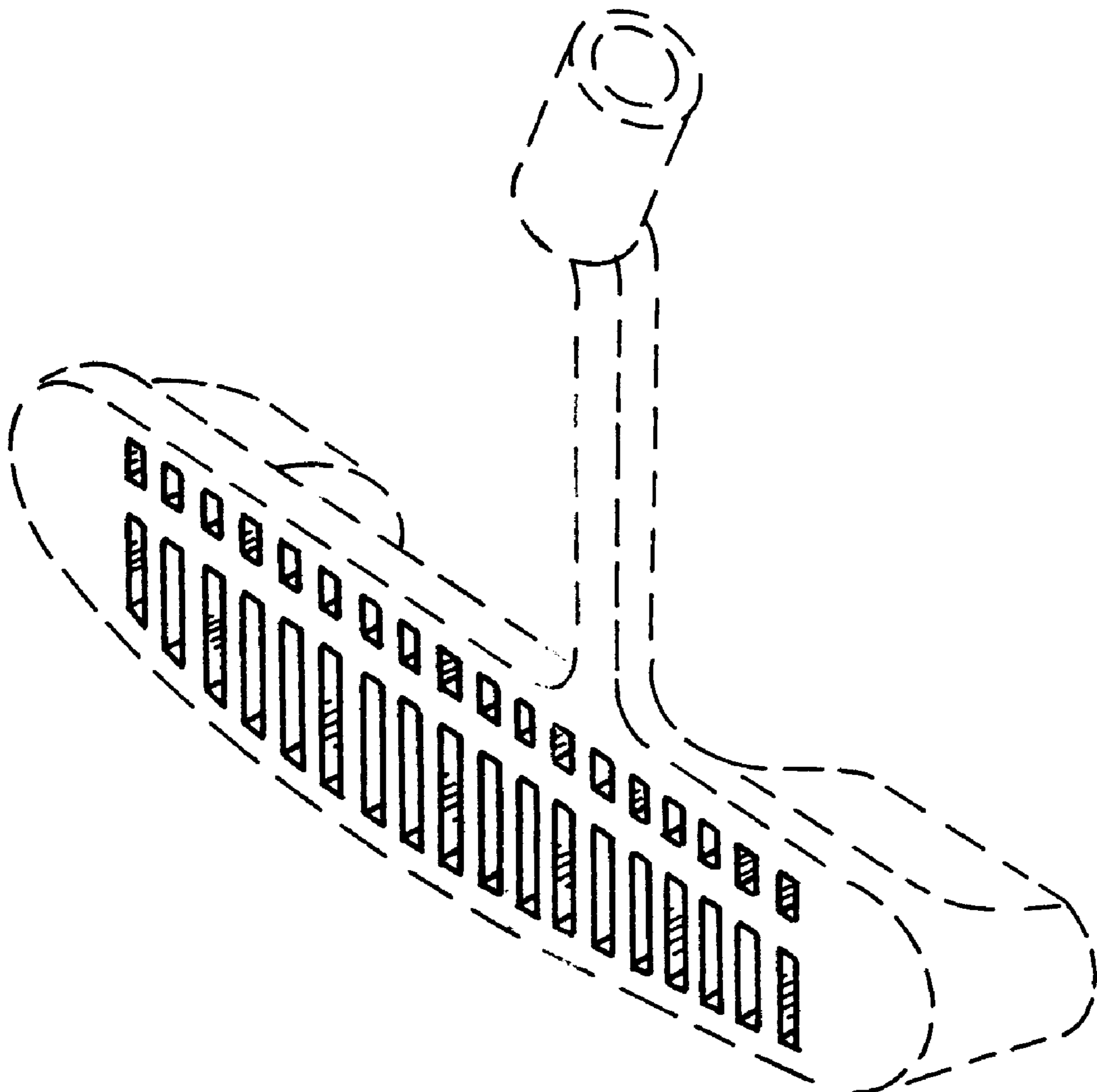
The broken lines showing a golf club head are for illustrative purposes only and form no part of the claimed design.

[56] **References Cited**

**U.S. PATENT DOCUMENTS**

D. 303,415 9/1989 Chorne ..... D21/751

**1 Claim, 1 Drawing Sheet**



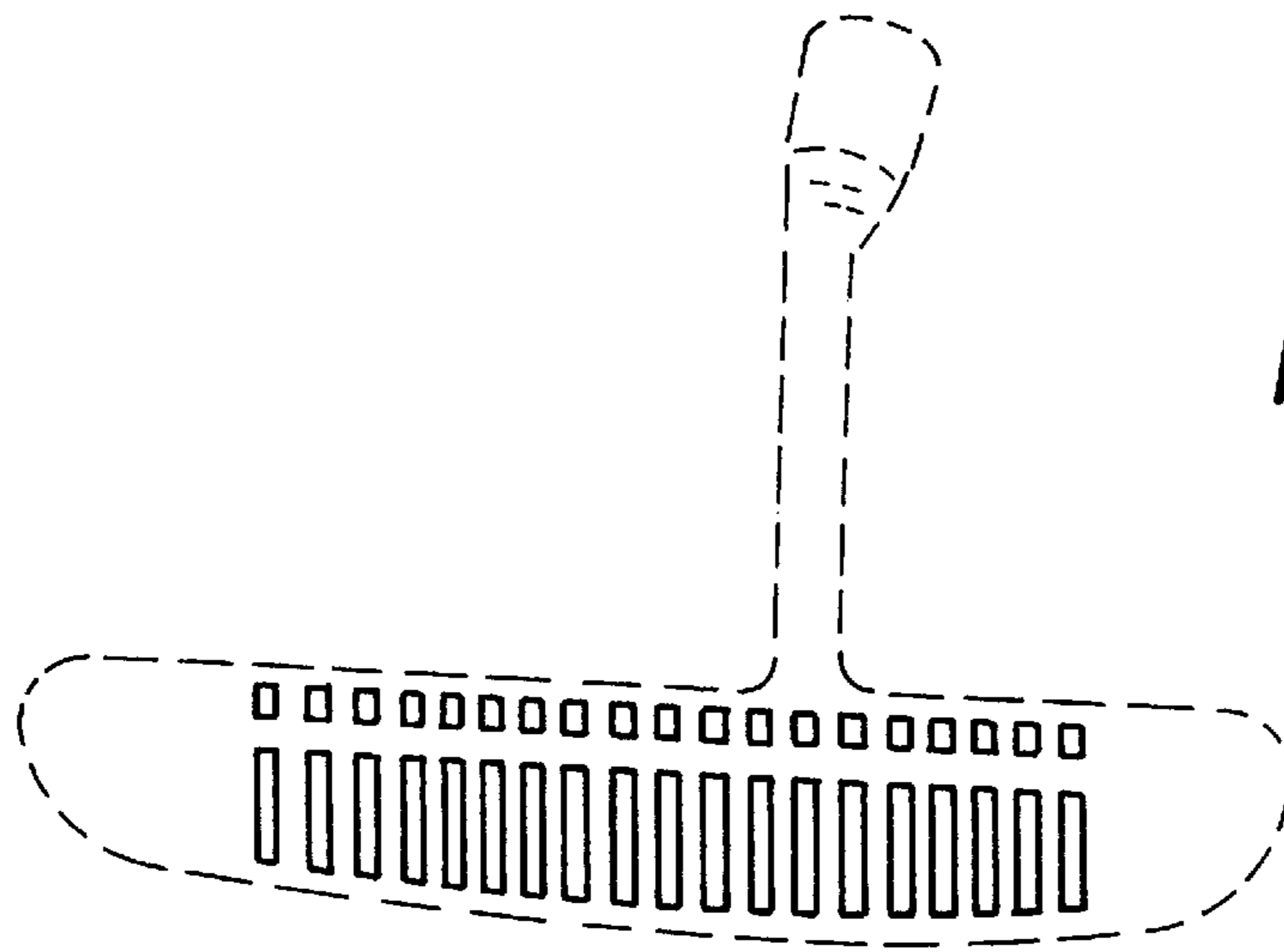


FIG. 1

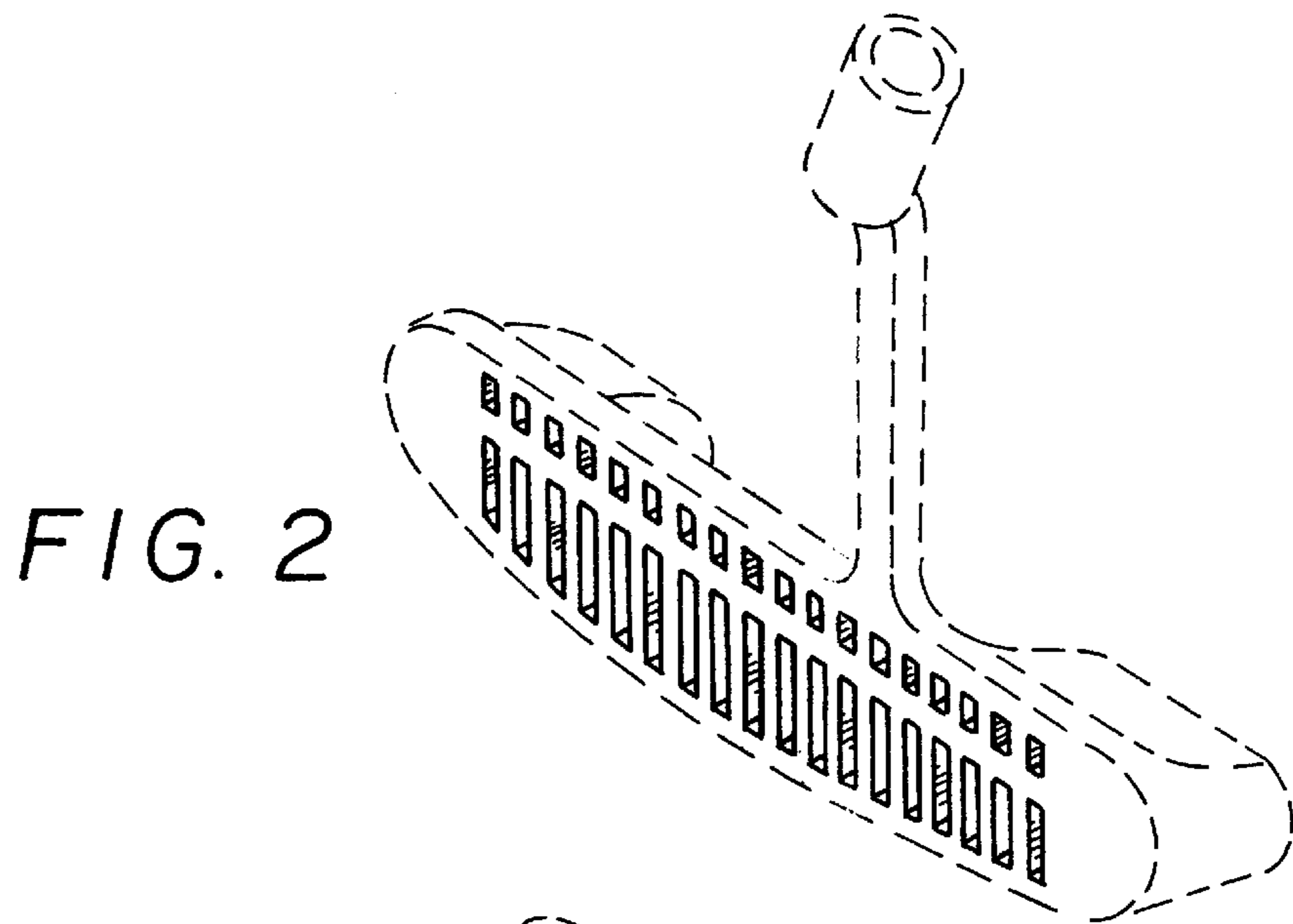


FIG. 2

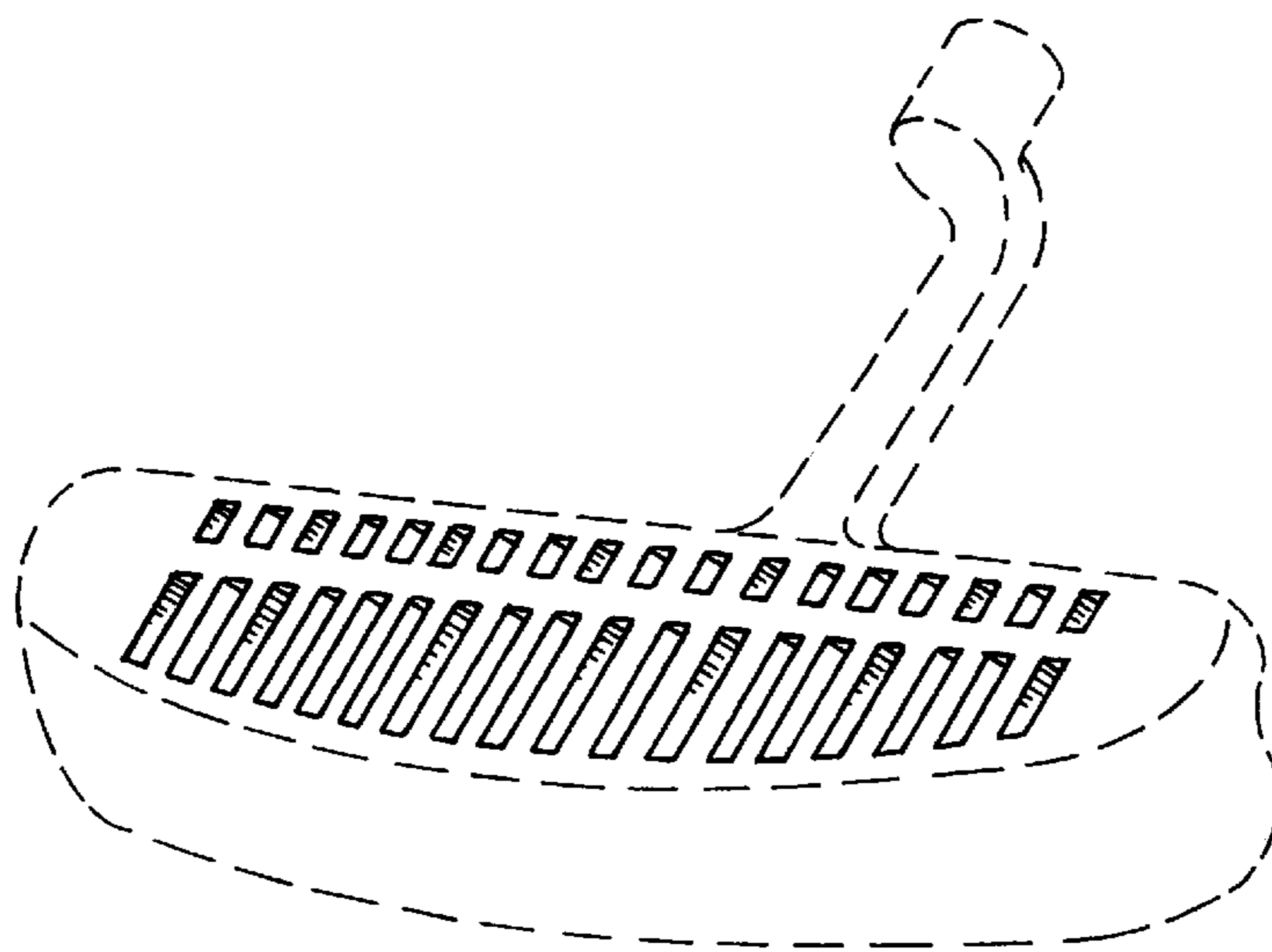


FIG. 3